



US00D423744S

# United States Patent [19] Holmberg

[11] Patent Number: Des. 423,744

[45] Date of Patent: \*\* Apr. 25, 2000

[54] BOTTLE DRAINING STAND

[76] Inventor: **Jana E Holmberg**, 1684 Eighth Ave., #2, West Linn, Oreg. 97068-4516

[\*\*] Term: **14 Years**

[21] Appl. No.: **29/103,814**

[22] Filed: **Apr. 22, 1999**

[51] LOC (6) Cl. .... **07-05**

[52] U.S. Cl. .... **D32/58; D7/619**

[58] Field of Search ..... **D32/58; D7/619, D7/701; 211/74, 311.2, 311.3**

[56] **References Cited**

**U.S. PATENT DOCUMENTS**

D. 233,723	11/1974	Gutierrez	.....	D7/701
D. 249,317	9/1978	Korn	.....	D7/701
D. 290,673	7/1987	Imatt	.....	D7/701
D. 321,963	11/1991	Welder	.....	D32/58
2,536,419	1/1951	Brunett et al.	.....	211/74

Primary Examiner—Robin V. Taylor

[57] **CLAIM**

The ornamental design for a bottle draining stand, as shown and described.

**DESCRIPTION**

FIG. 1 is a left side elevational view of the bottle draining stand of the present invention;

FIG. 2 is a right side elevational view of the bottle draining stand of FIG. 1;

FIG. 3 is a front elevational view of the bottle draining stand of FIG. 1;

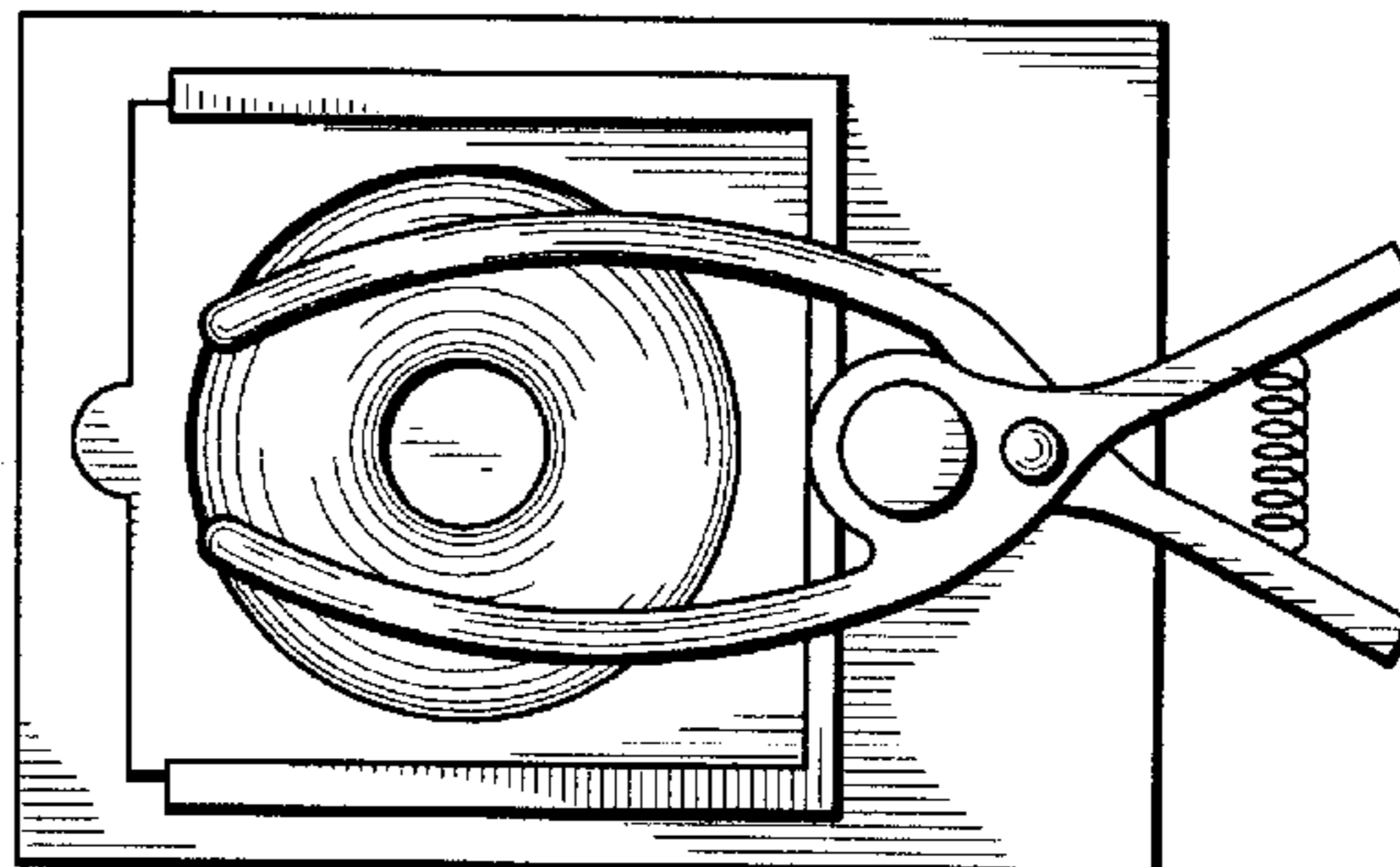
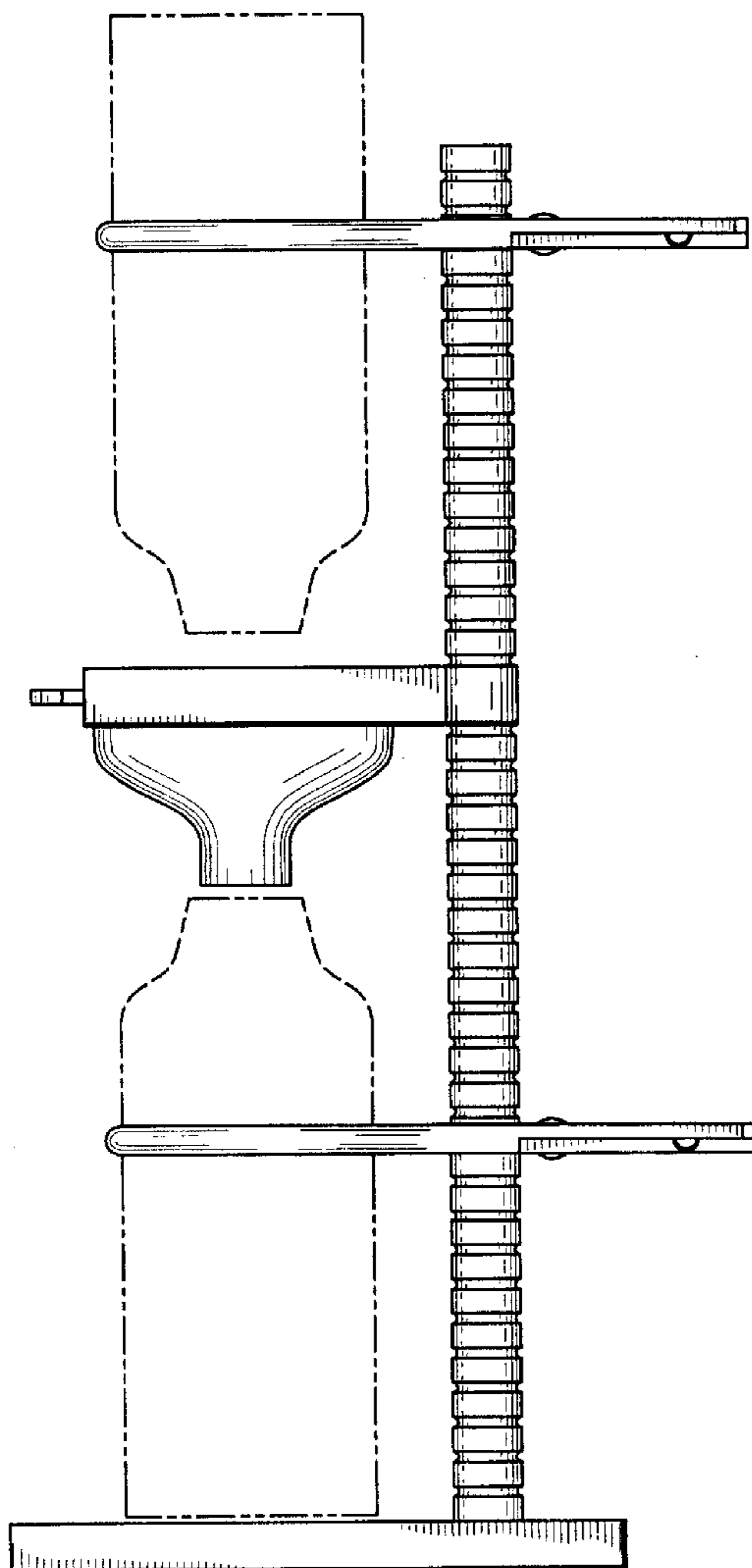
FIG. 4 is a back elevational view of the bottle draining stand of FIG. 1;

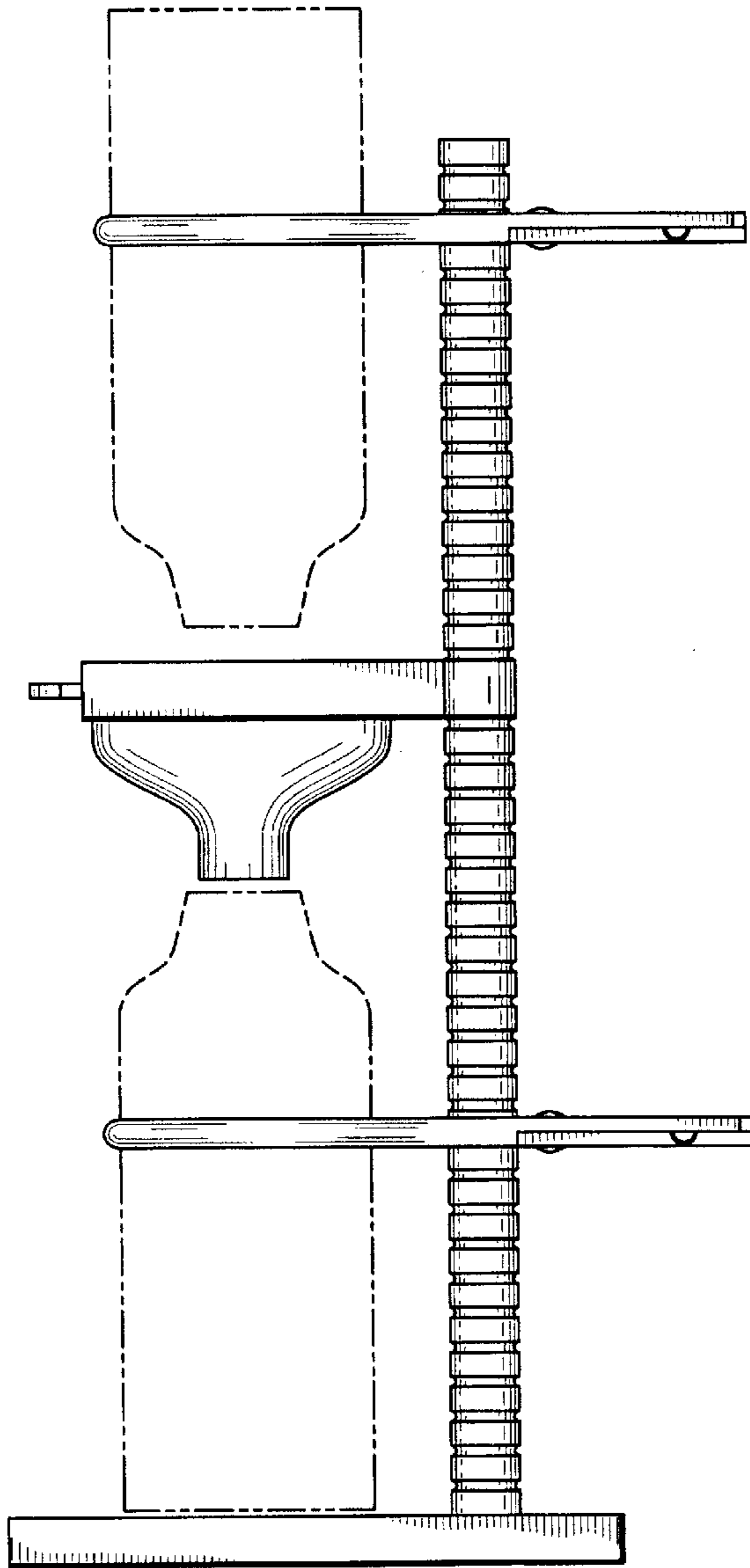
FIG. 5 is a top plan view of the bottle draining stand of FIG. 1; and,

FIG. 6 is a bottom plan view of the bottle draining stand of FIG. 1.

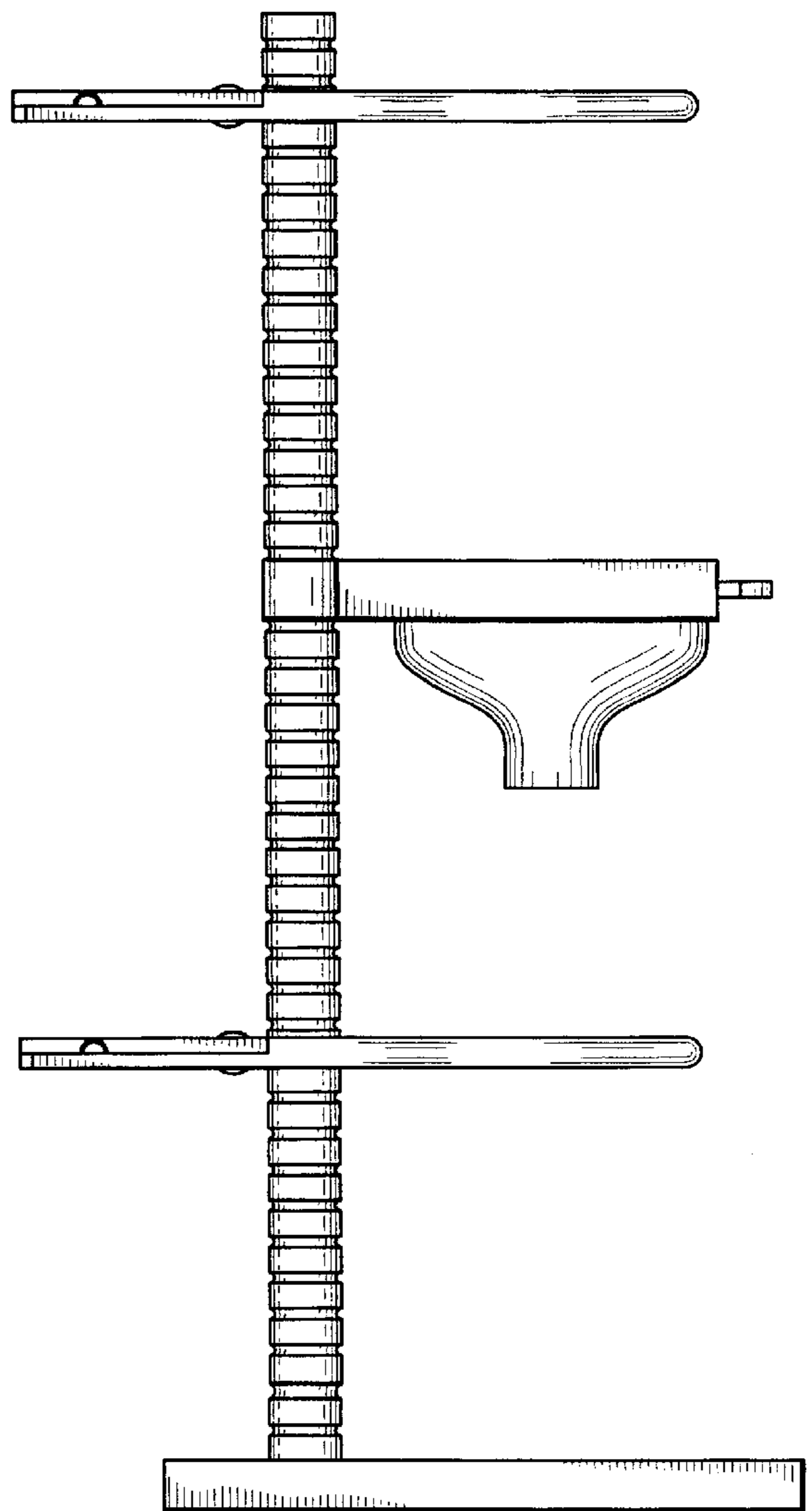
The broken lines showing of bottles in FIG. 1 are for illustrative purposes only and form no part of the claimed design.

**1 Claim, 3 Drawing Sheets**

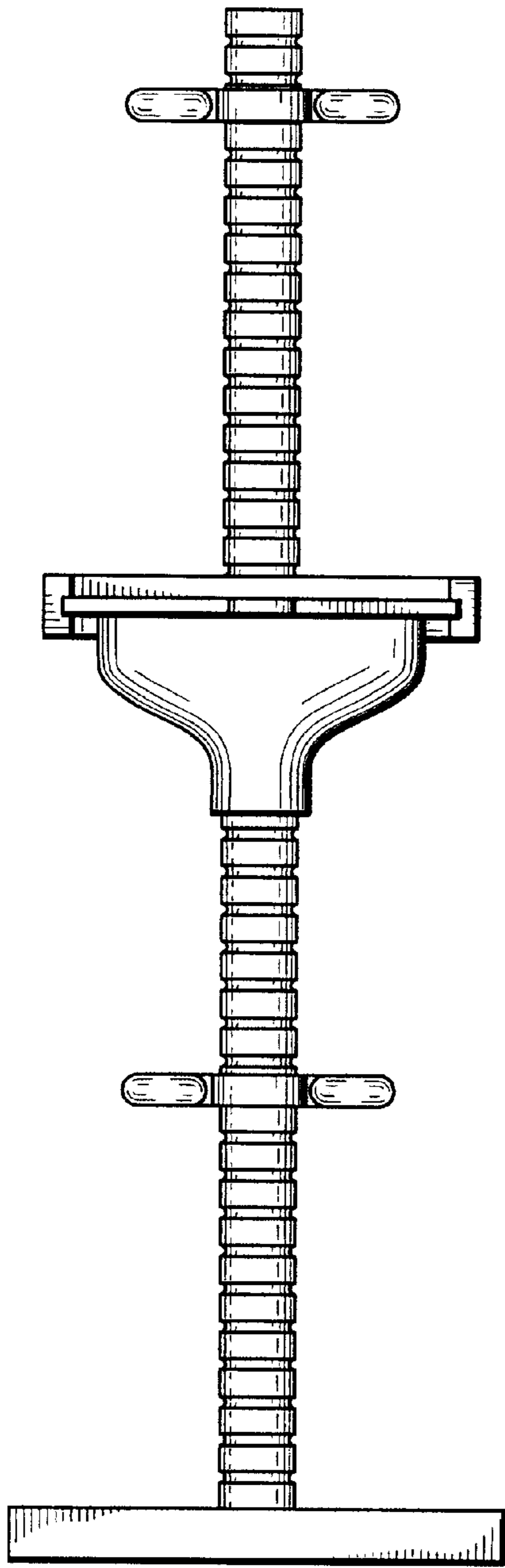




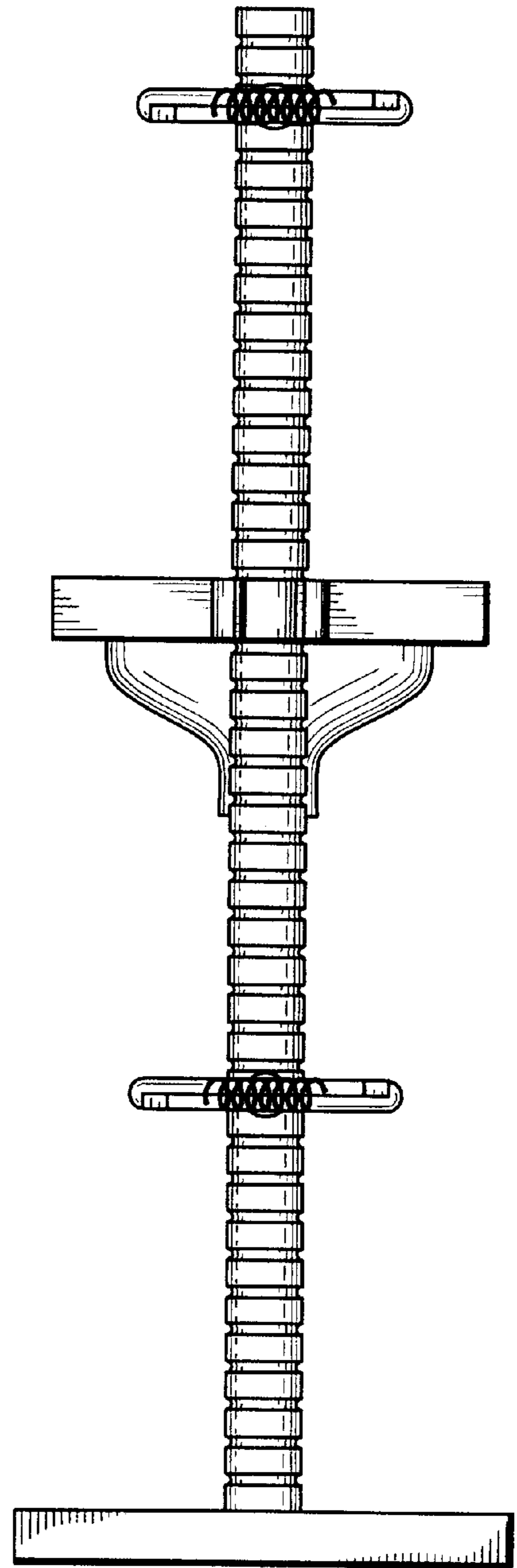
*Fig. 1*



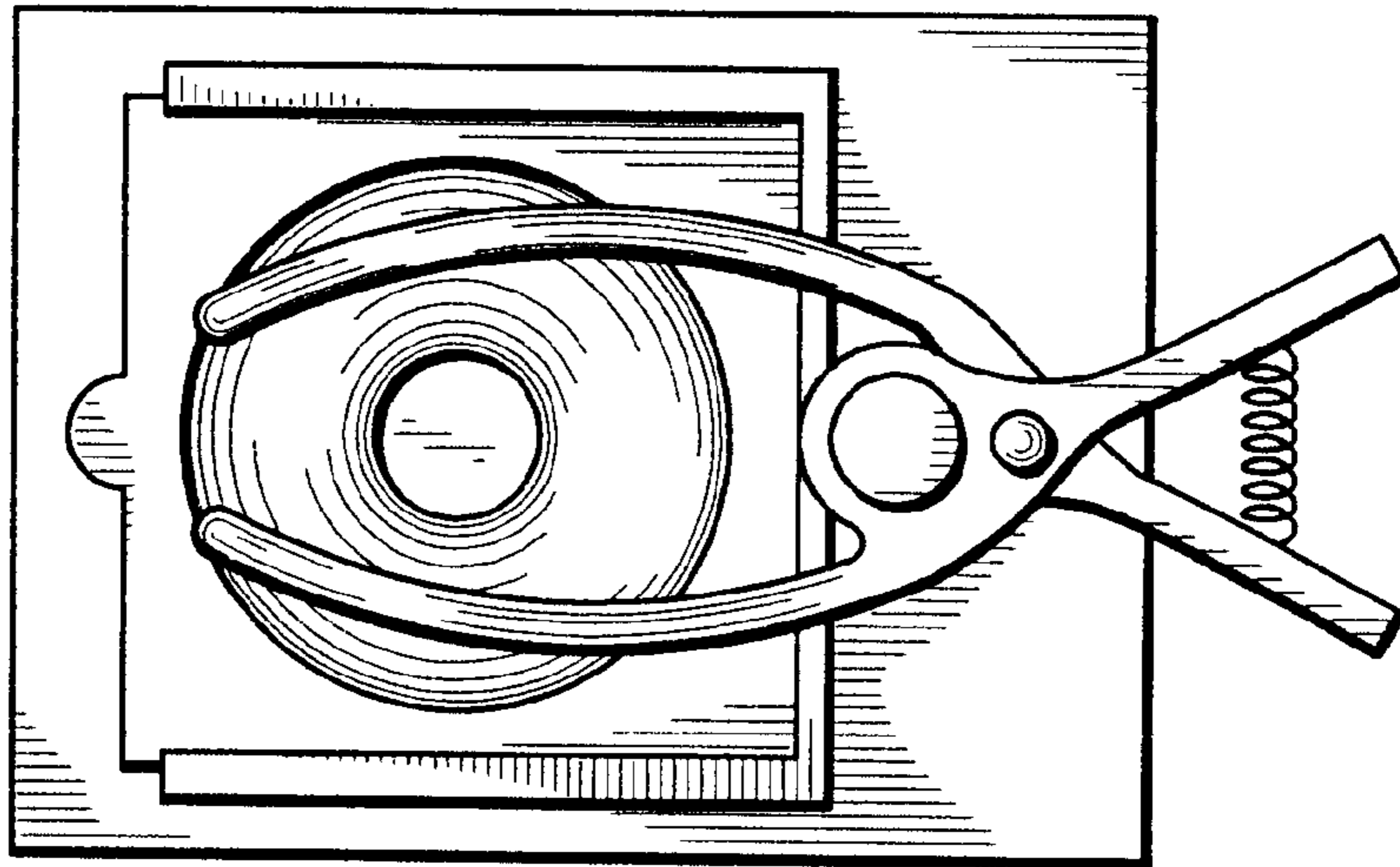
*Fig. 2*



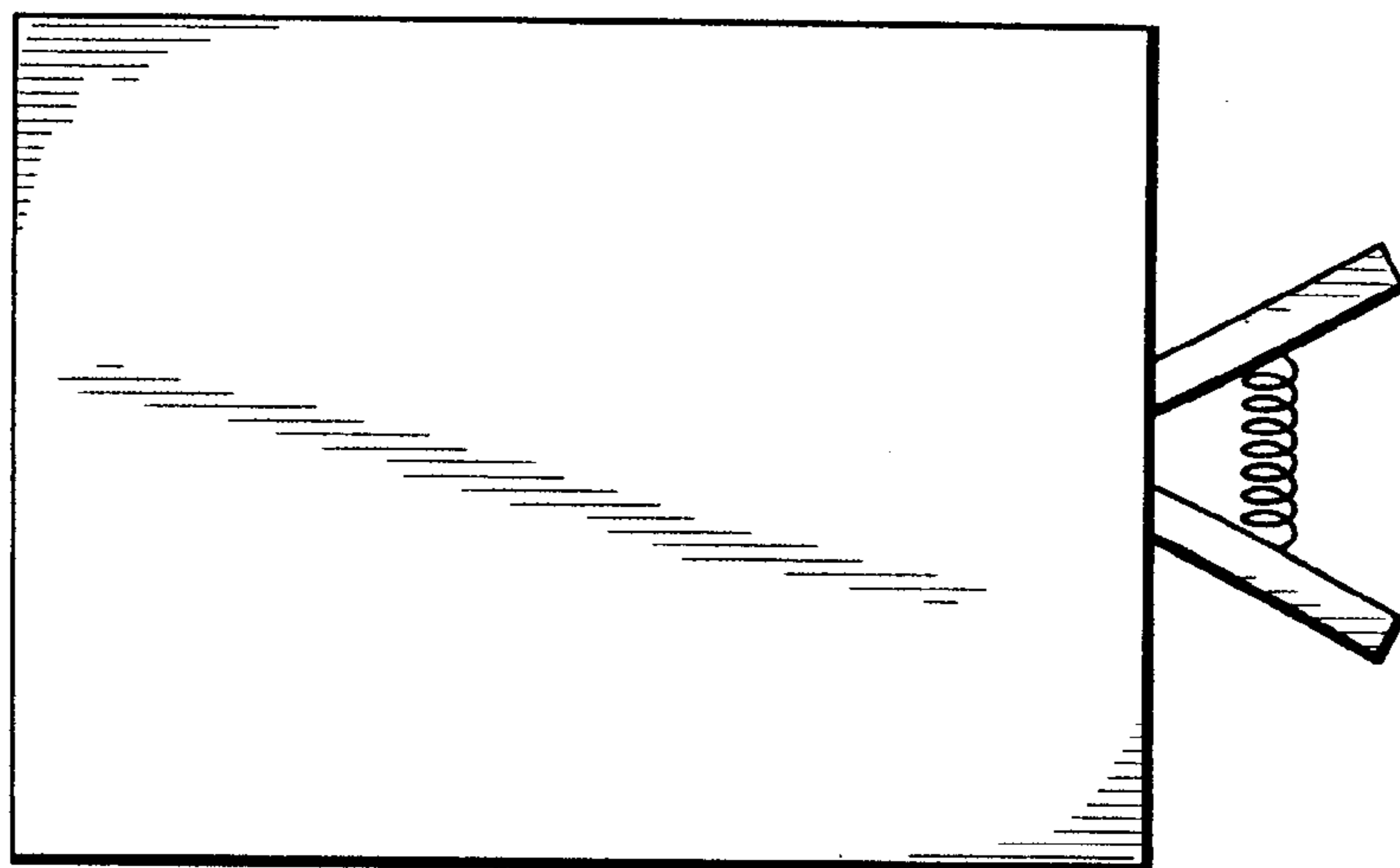
*Fig. 3*



*Fig. 4*



*Fig. 5*



*Fig. 6*