



US00D423742S

United States Patent [19]
Kingry et al.

[11] **Patent Number: Des. 423,742**
[45] **Date of Patent: ** *Apr. 25, 2000**

[54] **DUSTING MOP**

[75] Inventors: **Gary William Kingry**, Cincinnati;
Wilbur Cecil Strickland, Loveland;
Michael Earl Hardy, Cincinnati, all of
Ohio; **Philip Ebwin Hague**, Chicago,
Ill.

[73] Assignee: **The Procter & Gamble Company**,
Cincinnati, Ohio

[*] Notice: This patent is subject to a terminal dis-
claimer.

[**] Term: **14 Years**

[21] Appl. No.: **29/094,261**

[22] Filed: **Sep. 29, 1998**

Related U.S. Application Data

[63] Continuation-in-part of application No. 29/088,832, Jun. 2,
1998, Pat. No. Des. 409,343.

[51] **LOC (6) Cl.** **07-05**

[52] **U.S. Cl.** **D32/40; D32/50**

[58] **Field of Search** **D32/40, 50, 51;**
D4/138; 15/115, 116.2, 119.2, 143.1, 147.1,
147.2, 208, 209.1, 220.1, 228, 244.1-244.4,
144.1, 144.2

[56] **References Cited**

U.S. PATENT DOCUMENTS

D. 358,238	5/1995	Barnett	D32/50
D. 364,715	11/1995	Amram et al.	D32/35
D. 386,851	11/1997	Levine	D32/40
D. 391,715	3/1998	Irwin et al.	D32/50
D. 409,343	5/1999	Kingry et al.	D32/50
648,352	4/1900	Blanton, Jr.	403/333
1,136,557	4/1915	Ross	403/333
1,288,136	12/1918	Neuteboom	403/333
1,769,105	7/1930	Bogg	403/333
1,849,066	3/1932	Bridges	403/333
1,998,634	4/1935	Oberti	15/231
2,127,886	8/1938	Plon	15/231
2,138,288	11/1938	Bailey	15/231
2,205,535	6/1940	Muckenhies	15/176.6 X

2,262,334	11/1941	Rugaard	401/139
2,301,586	11/1942	Rubin	15/147.2
2,584,640	2/1952	Taylor	403/333
2,655,413	10/1953	Russell	403/58
2,690,582	10/1954	Sundell	15/228
2,875,460	3/1959	Legge	15/114
2,932,048	4/1960	Yamen et al.	15/147.1
3,199,136	8/1965	George	15/231
3,295,155	1/1967	Belsky et al.	15/147.2
3,358,313	12/1967	Grimes, Sr.	15/231
3,760,450	9/1973	Griffin et al.	15/229.6

(List continued on next page.)

FOREIGN PATENT DOCUMENTS

819963	8/1969	Canada .
1103864	6/1981	Canada .
1149561	7/1983	Canada .
2003612	5/1990	Canada .
2003613	5/1990	Canada .
1315502	4/1993	Canada .
76973	8/1995	Canada .
798408	5/1936	France .
5-13349	2/1993	Japan .

Primary Examiner—Alan P. Douglas
Assistant Examiner—Lavone D. Tabor
Attorney, Agent, or Firm—James C. Vago; Elizabeth M.
Koch

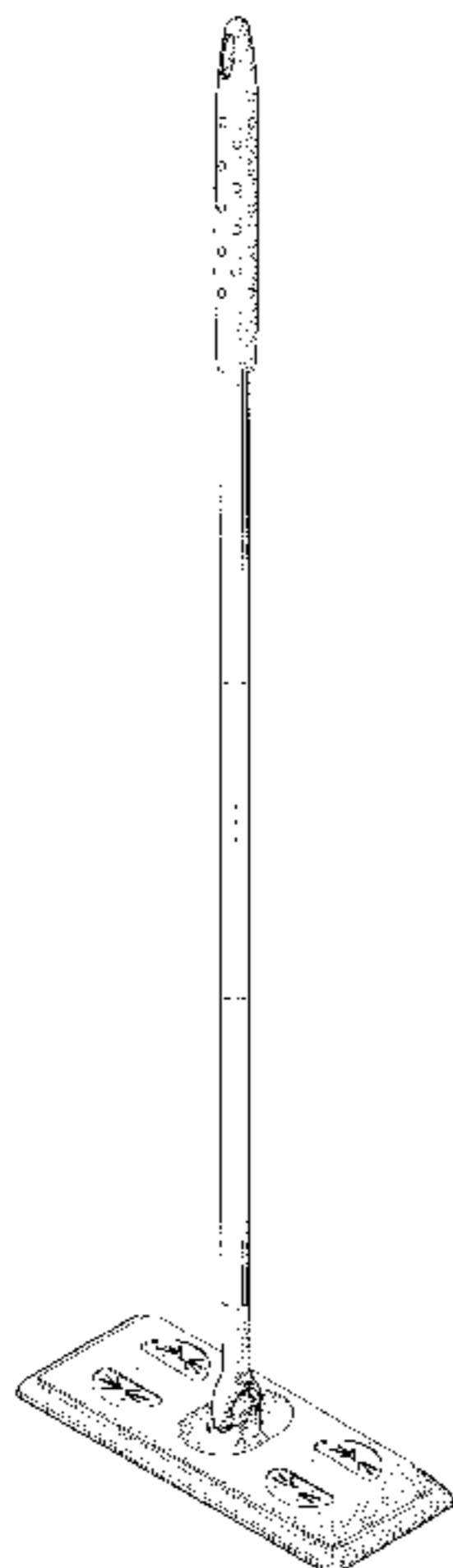
[57] **CLAIM**

The ornamental design for a dusting mop, as shown and
described.

DESCRIPTION

FIG. 1 is a perspective view of a dusting mop, embodying
our new design; and
FIG. 2 is a side view thereof, the opposite side view being
the same;
FIG. 3 is a front view thereof, the back view being the same;
FIG. 4 is a top plan view thereof;
FIG. 5 is a bottom plan view thereof; and,
FIG. 6 is top plan view of a second embodiment of the
design that is shown in FIGS. 1-5 with the only difference
residing in the configuration of the raised designs set in the
semicircular recesses.

1 Claim, 2 Drawing Sheets



U.S. PATENT DOCUMENTS

3,768,110 10/1973 Johnson et al. 15/144.2
 3,778,860 12/1973 Thielen 15/147.2
 3,792,505 2/1974 Saltzstein 15/231
 3,806,982 4/1974 Park 15/119.2
 3,991,431 11/1976 Thielen 15/147.2
 3,996,639 12/1976 Griffin et al. 15/229.6
 4,069,537 1/1978 Matsuo 15/228
 4,165,550 8/1979 Burke 15/144.2
 4,182,577 1/1980 O'Dwyer et al. 403/74
 4,312,598 1/1982 Vagner 401/1
 4,455,705 6/1984 Graham 15/121
 4,685,167 8/1987 Murray 15/228
 4,766,632 8/1988 Murray 15/228 X
 4,829,719 5/1989 Braselton 15/144.2 X
 4,852,210 8/1989 Krajicek 15/228
 4,971,471 11/1990 Sloan 401/203
 4,991,250 2/1991 Young 15/228
 5,071,489 12/1991 Silvenis et al. 134/42
 5,080,517 1/1992 Lynn 401/13
 5,090,832 2/1992 Rivera et al. 401/132
 5,094,559 3/1992 Rivera et al. 401/132
 5,379,478 1/1995 Vosbikian 15/147.2
 5,390,390 2/1995 Kresse et al. 15/228
 5,419,015 5/1995 Garcia 15/228
 5,426,809 6/1995 Muta 15/228
 5,455,980 10/1995 Buchanan 15/228
 5,477,582 12/1995 Yamashita 15/231

5,815,878 10/1998 Murakami et al. 15/228 X
 5,876,141 3/1999 Hsu 15/147.1 X

FOREIGN PATENT DOCUMENTS

6-21421 6/1994 Japan .
 7-255659 10/1995 Japan .
 7-255660 10/1995 Japan .
 7-327904 12/1995 Japan .
 7-327905 12/1995 Japan .
 7-327906 12/1995 Japan .
 3022675 1/1996 Japan .
 8-522 1/1996 Japan .
 8-56883 3/1996 Japan .
 2507300 5/1996 Japan .
 8-117168 5/1996 Japan .
 8-131387 5/1996 Japan .
 8-131388 5/1996 Japan .
 8-154881 6/1996 Japan .
 8-154883 6/1996 Japan .
 8-154884 6/1996 Japan .
 8-187210 7/1996 Japan .
 8-196498 8/1996 Japan .
 8-215124 8/1996 Japan .
 8-228985 9/1996 Japan .
 8-243067 9/1996 Japan .
 8-266456 10/1996 Japan .
 6708504 12/1968 Netherlands .
 2 285 213 7/1995 United Kingdom .

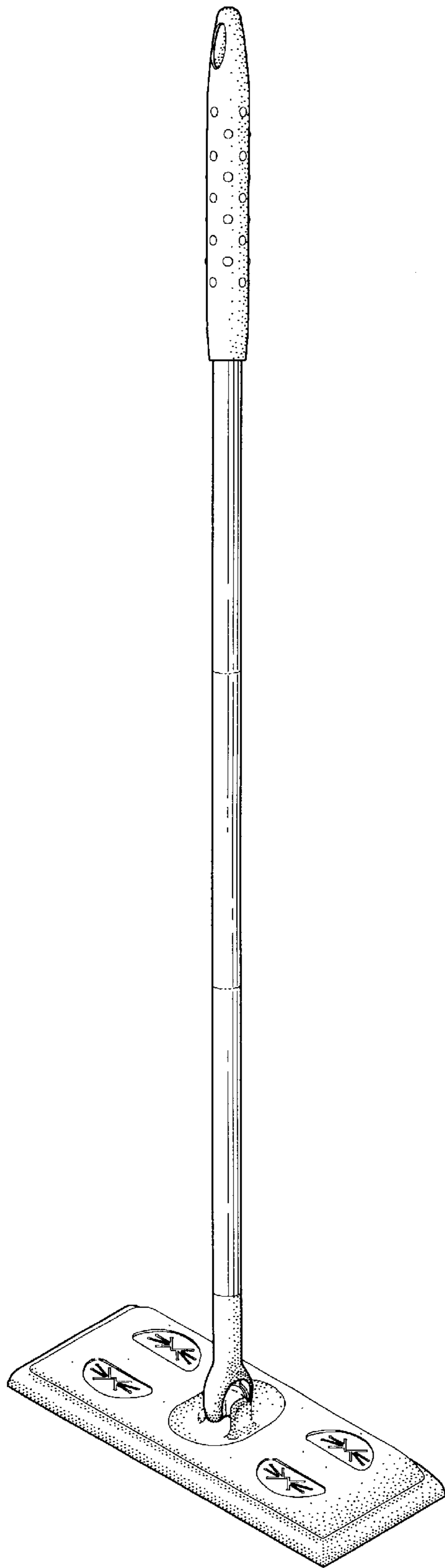


Fig. 1

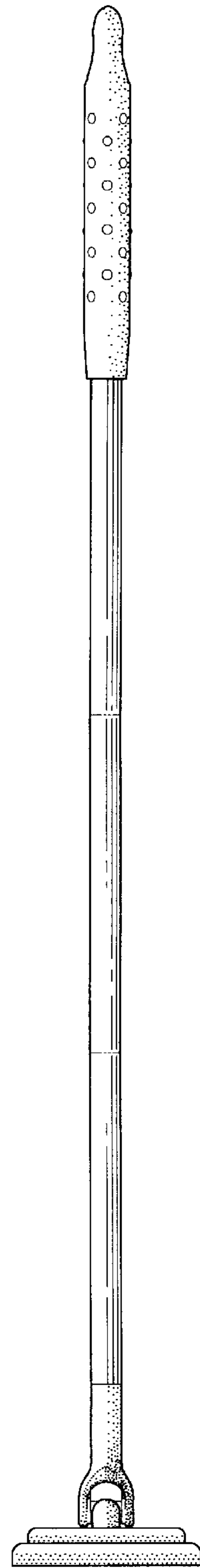


Fig. 2

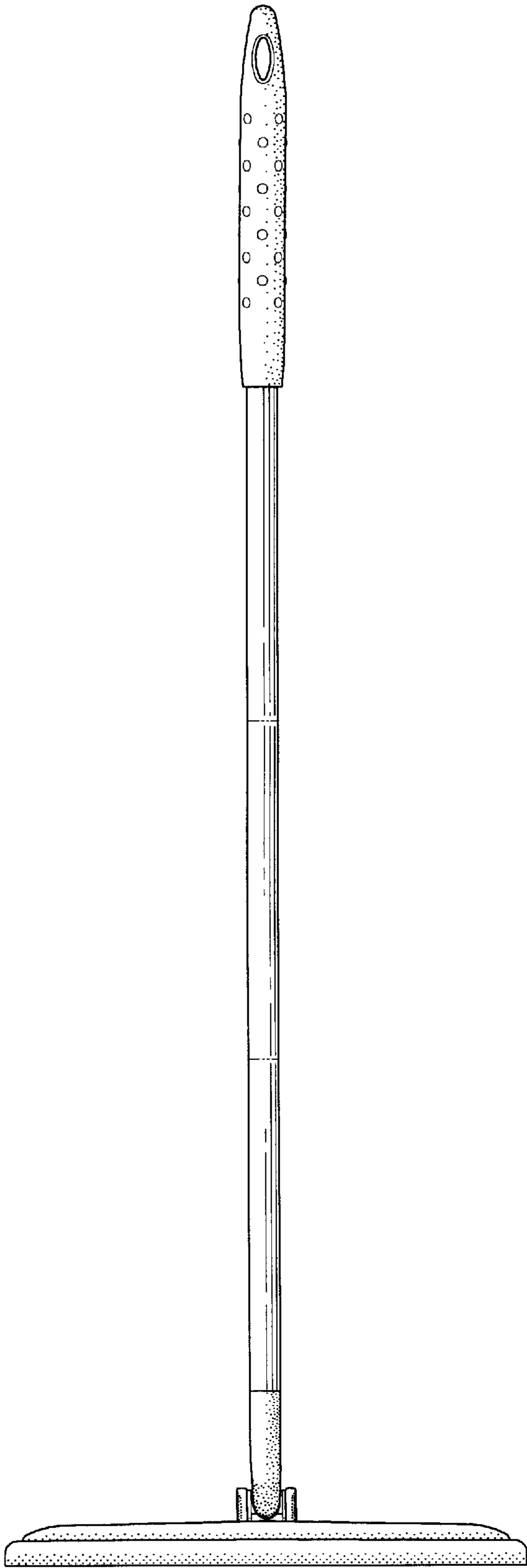


Fig. 3

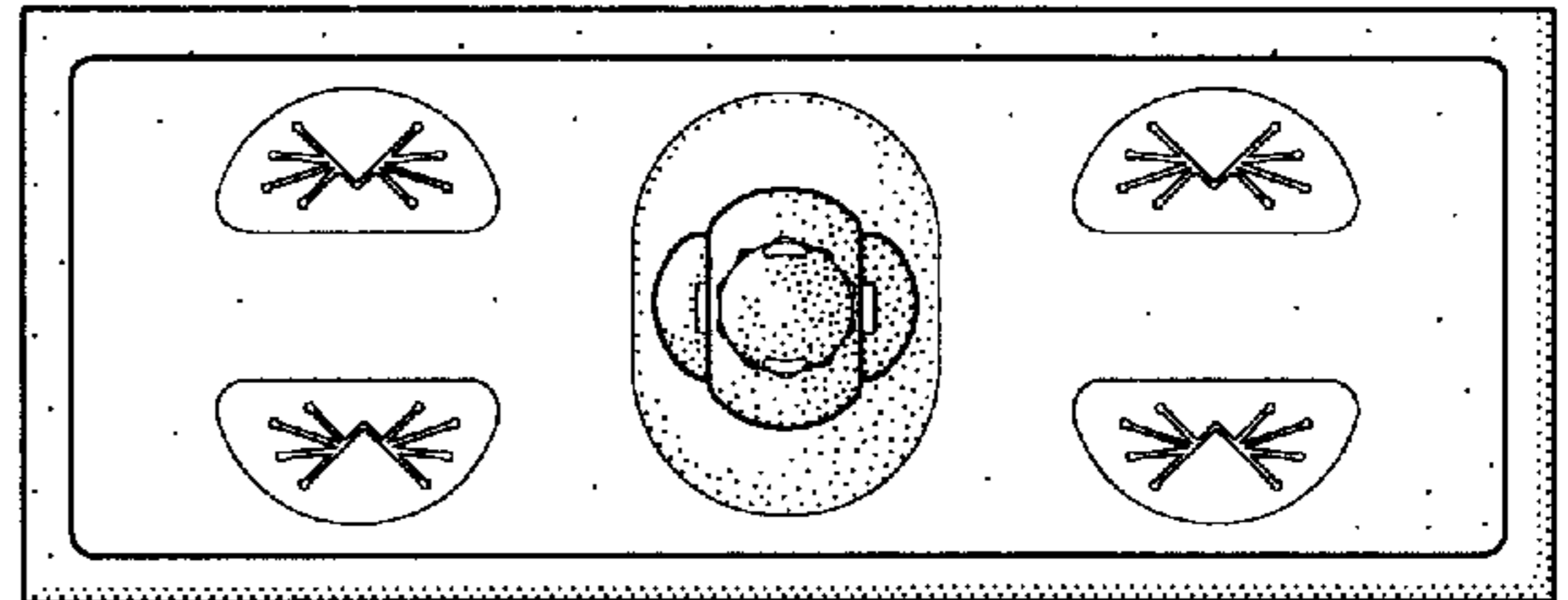


Fig. 4

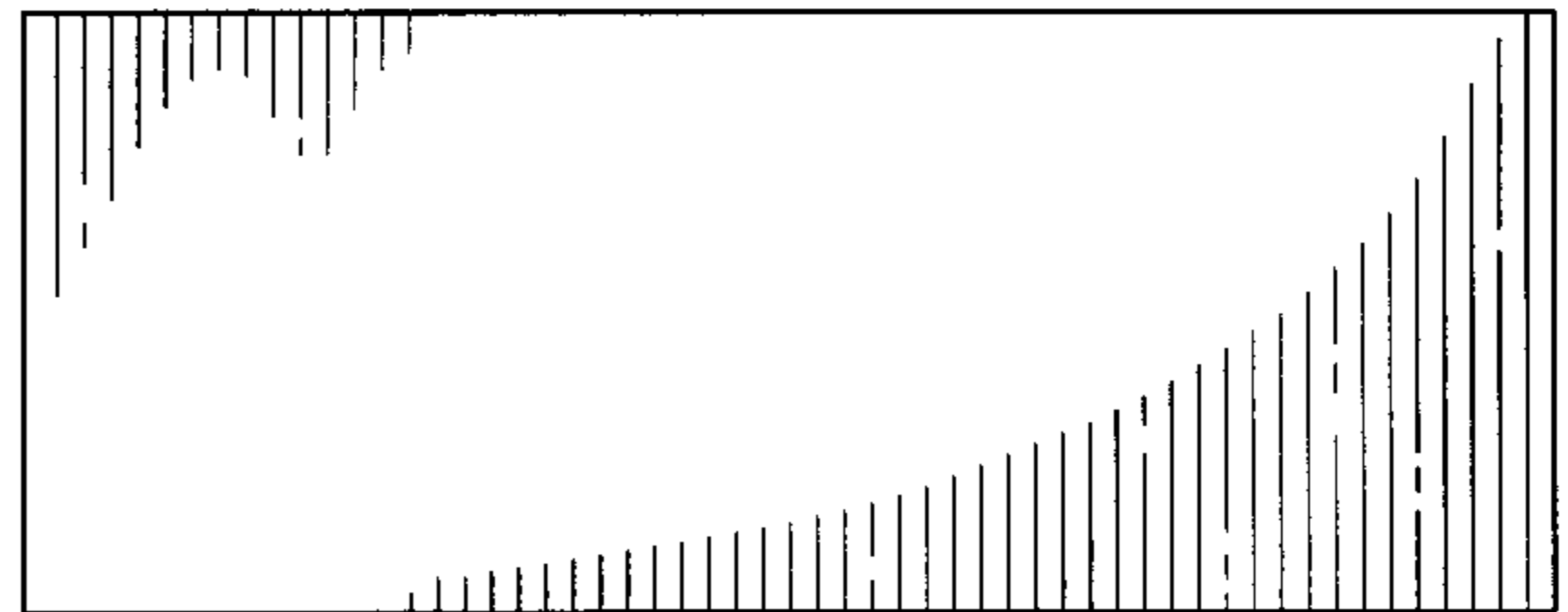


Fig. 5

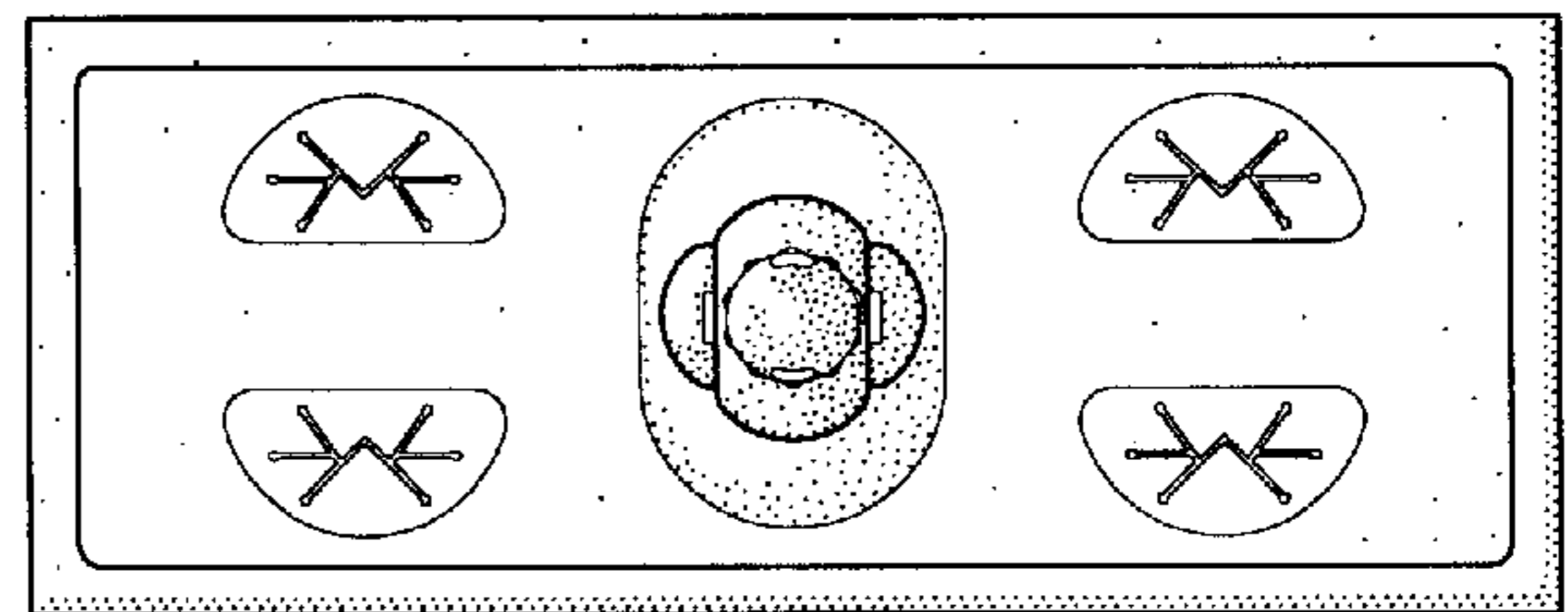


Fig. 6