



US00D423741S

United States Patent [19] Sato

[11] Patent Number: Des. 423,741

[45] Date of Patent: ** Apr. 25, 2000

[54] NOZZLE FOR AN ELECTRIC VACUUM CLEANER

[75] Inventor: Takashi Sato, Osaka, Japan

[73] Assignee: Matsushita Electric Industrial Co., Ltd., Japan

[**] Term: 14 Years

[21] Appl. No.: 29/111,250

[22] Filed: Sep. 23, 1999

[30] Foreign Application Priority Data

Apr. 7, 1999 [JP] Japan 11-9098

[51] LOC (6) Cl. 15-05

[52] U.S. Cl. D32/32

[58] Field of Search D32/21, 22, 25,
D32/31-33; 15/415.1-422.1, 321-322,
412, 414, 400, 350, 354, 362, 364, 367,
373

[56] References Cited

U.S. PATENT DOCUMENTS

- D. 198,435 6/1964 Gantz D32/22
- D. 249,349 9/1978 Wareham D32/32
- D. 290,419 6/1987 Strohmeyer D32/32
- D. 305,269 12/1989 Dyson D32/22
- D. 316,921 5/1991 Gerke, Jr. et al. D32/33
- D. 333,892 3/1993 Wareham D32/32

- D. 356,880 3/1995 Kieft D32/31
- D. 368,560 4/1996 Abe et al. .
- D. 411,669 6/1999 Wareham D32/32
- D. 418,267 12/1999 Lin D32/32

OTHER PUBLICATIONS

Panasonic Model No. MC-V7395 catalogue issued before Apr. 7, 1999.

Electrolux "Freedom" catalogue issued before Apr. 7, 1999. Hoover Model Nos. S2490, S2492, S2494, U5094, U2602, U1092, catalogue issued Nov. 2, 1989.

Primary Examiner—Ruth McInroy
Attorney, Agent, or Firm—SAIDMAN DesignLaw Group

[57] CLAIM

The ornamental design for a nozzle for an electric vacuum cleaner, as shown and described.

DESCRIPTION

FIG. 1 is a perspective view of the top, front and right side of a nozzle for an electric vacuum cleaner showing my new design;

FIG. 2 is a right side view thereof;

FIG. 3 is a left side view thereof;

FIG. 4 is a top plan view thereof;

FIG. 5 is a front view thereof;

FIG. 6 is a rear view thereof; and,

FIG. 7 is a bottom view thereof.

1 Claim, 3 Drawing Sheets

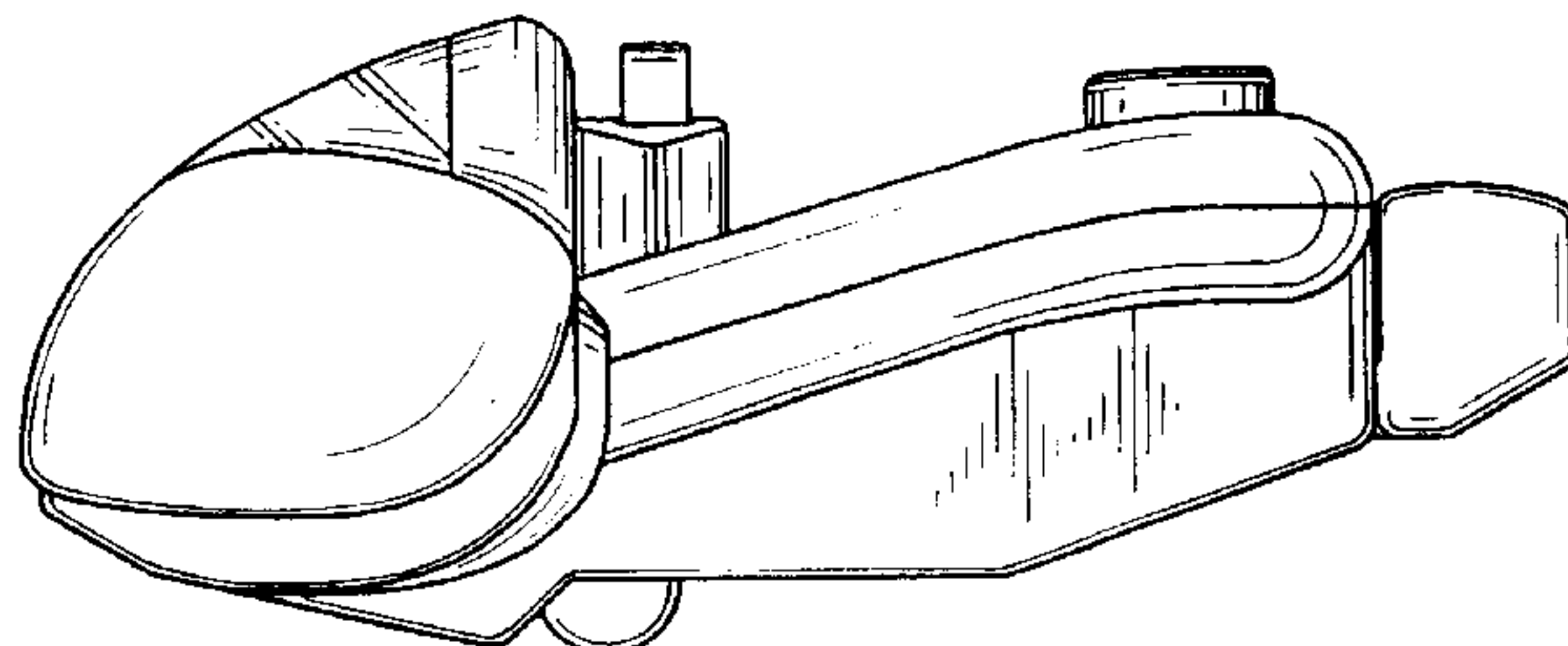
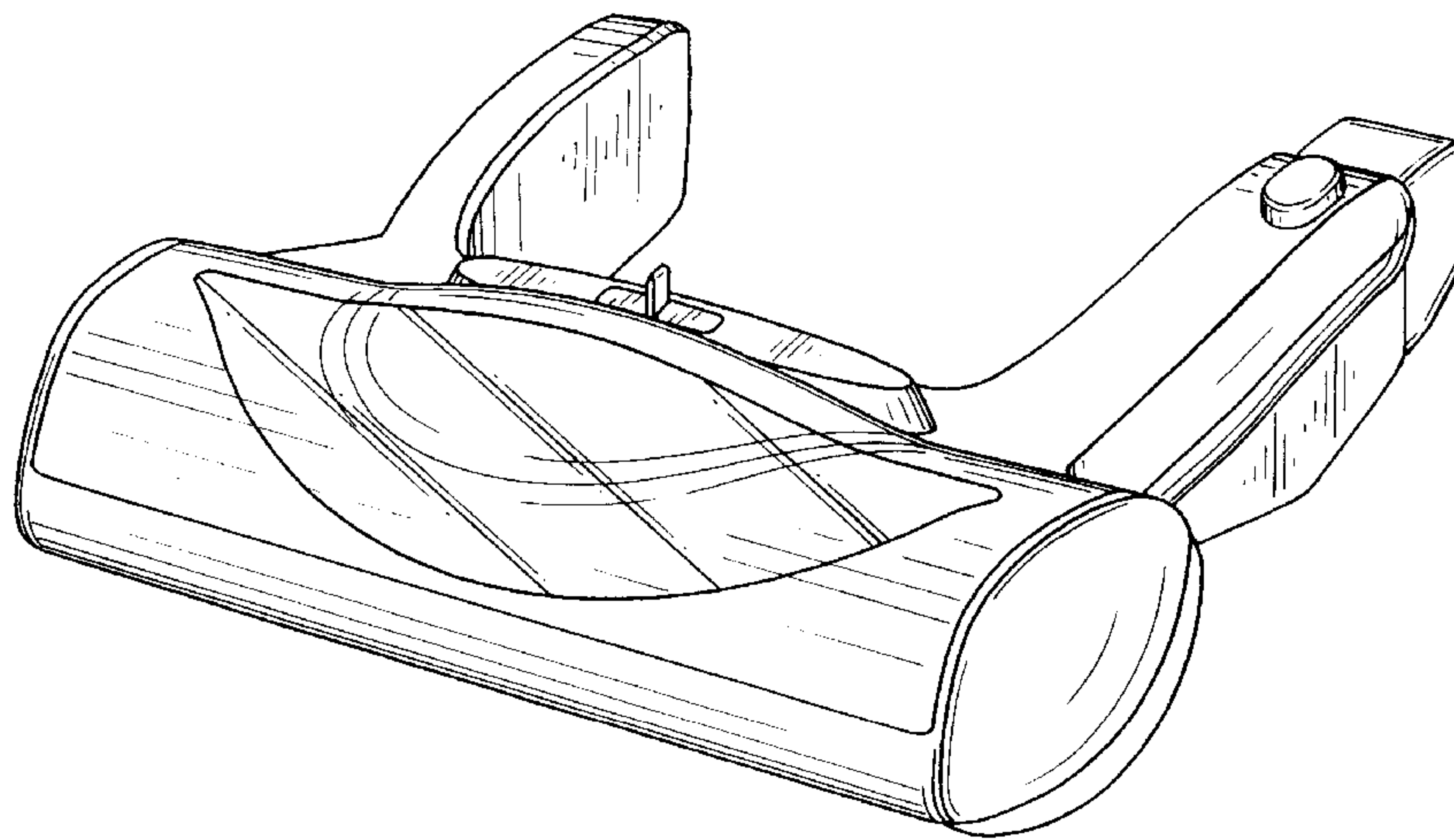


FIG. 1

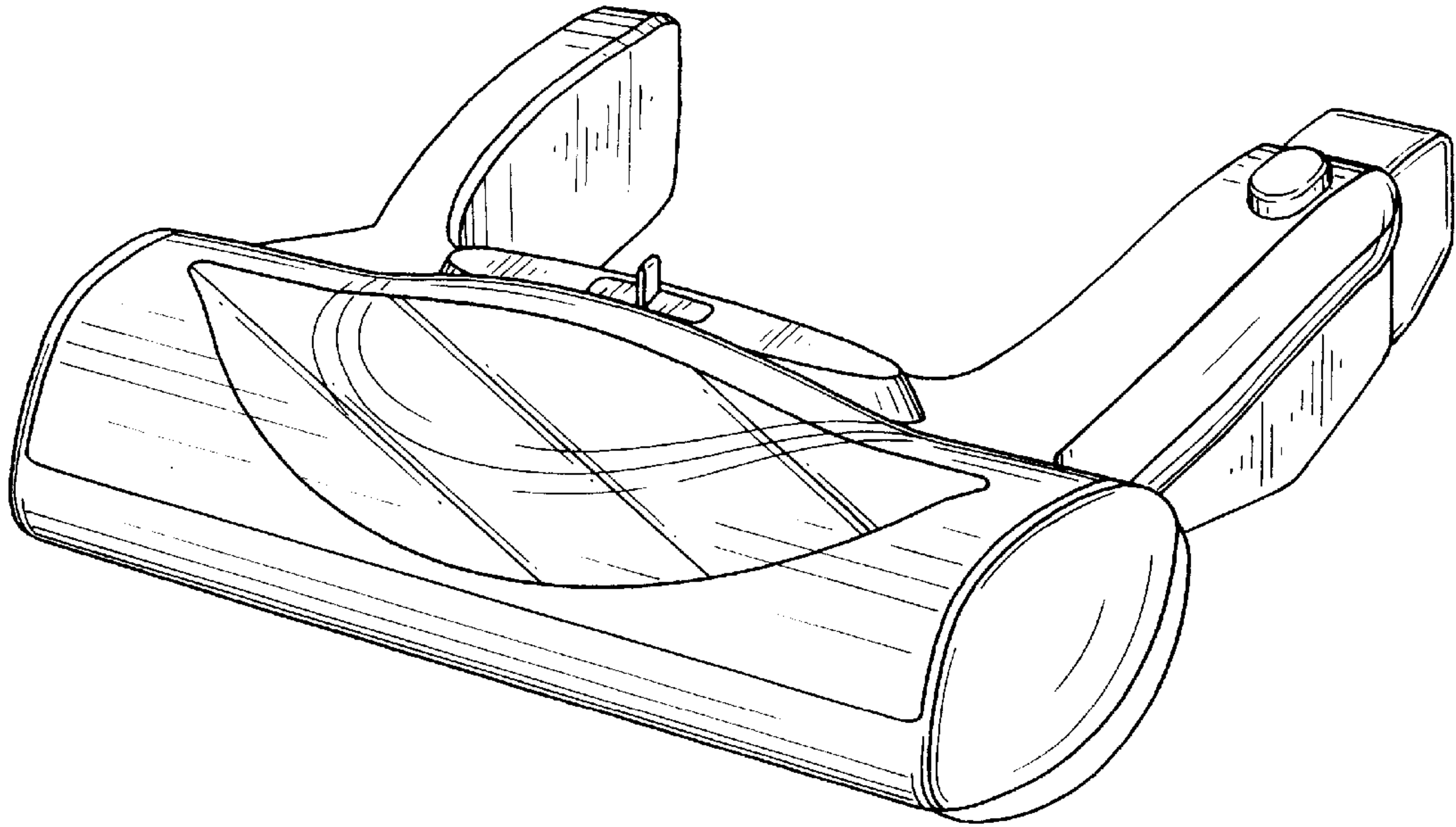


FIG. 2

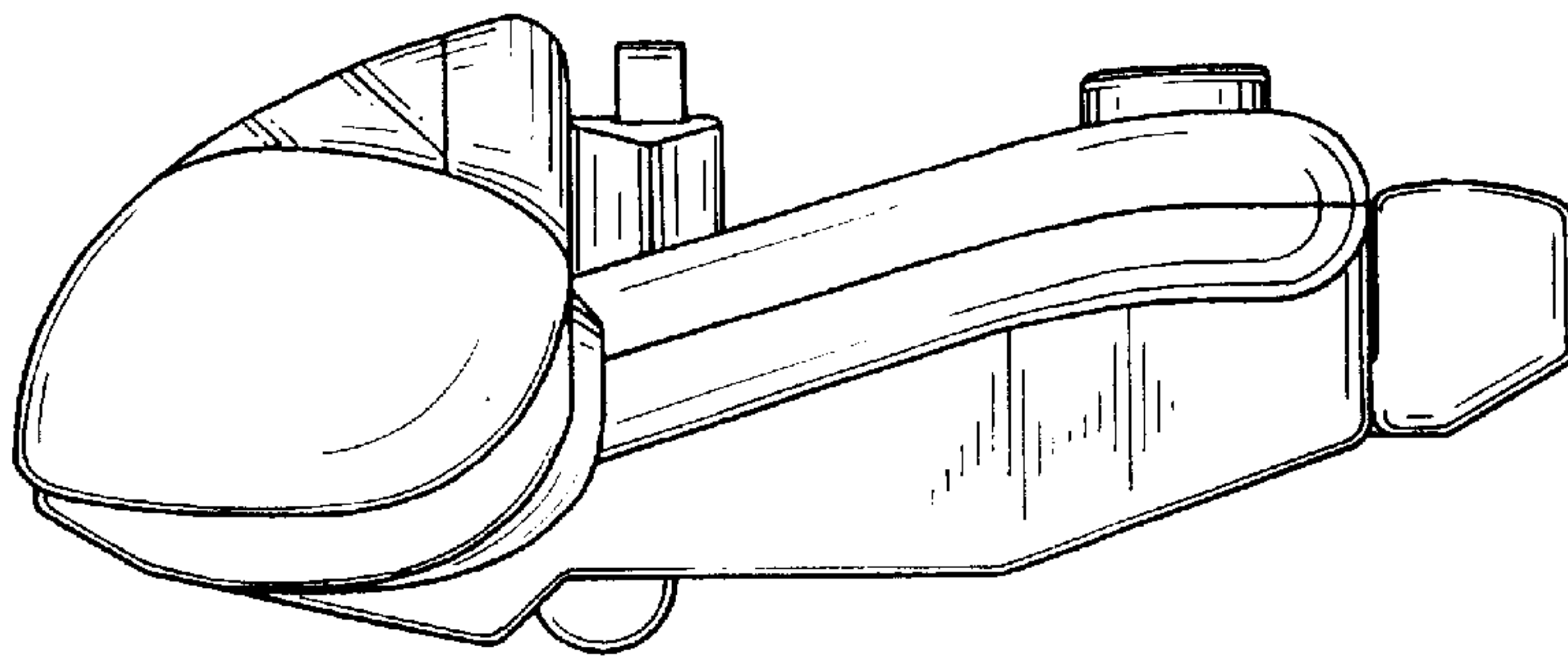


FIG. 3

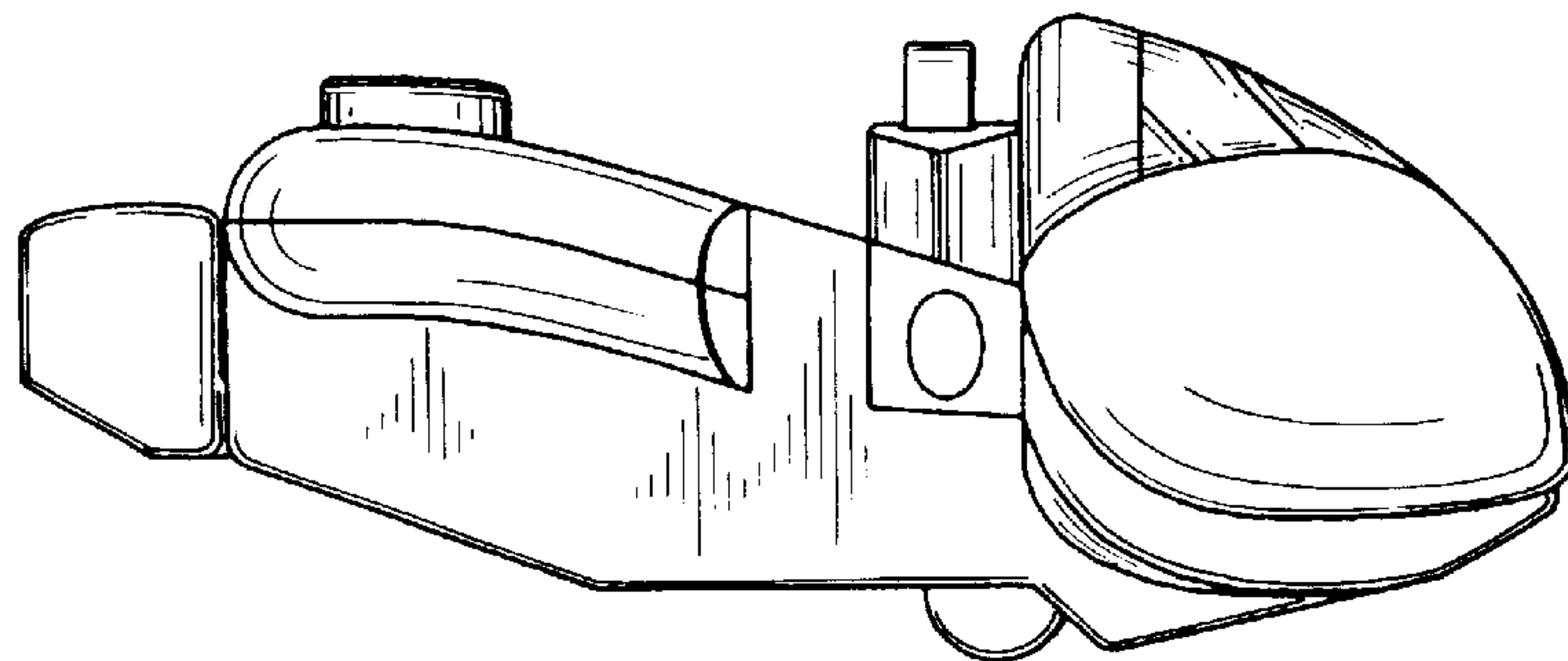


FIG. 4

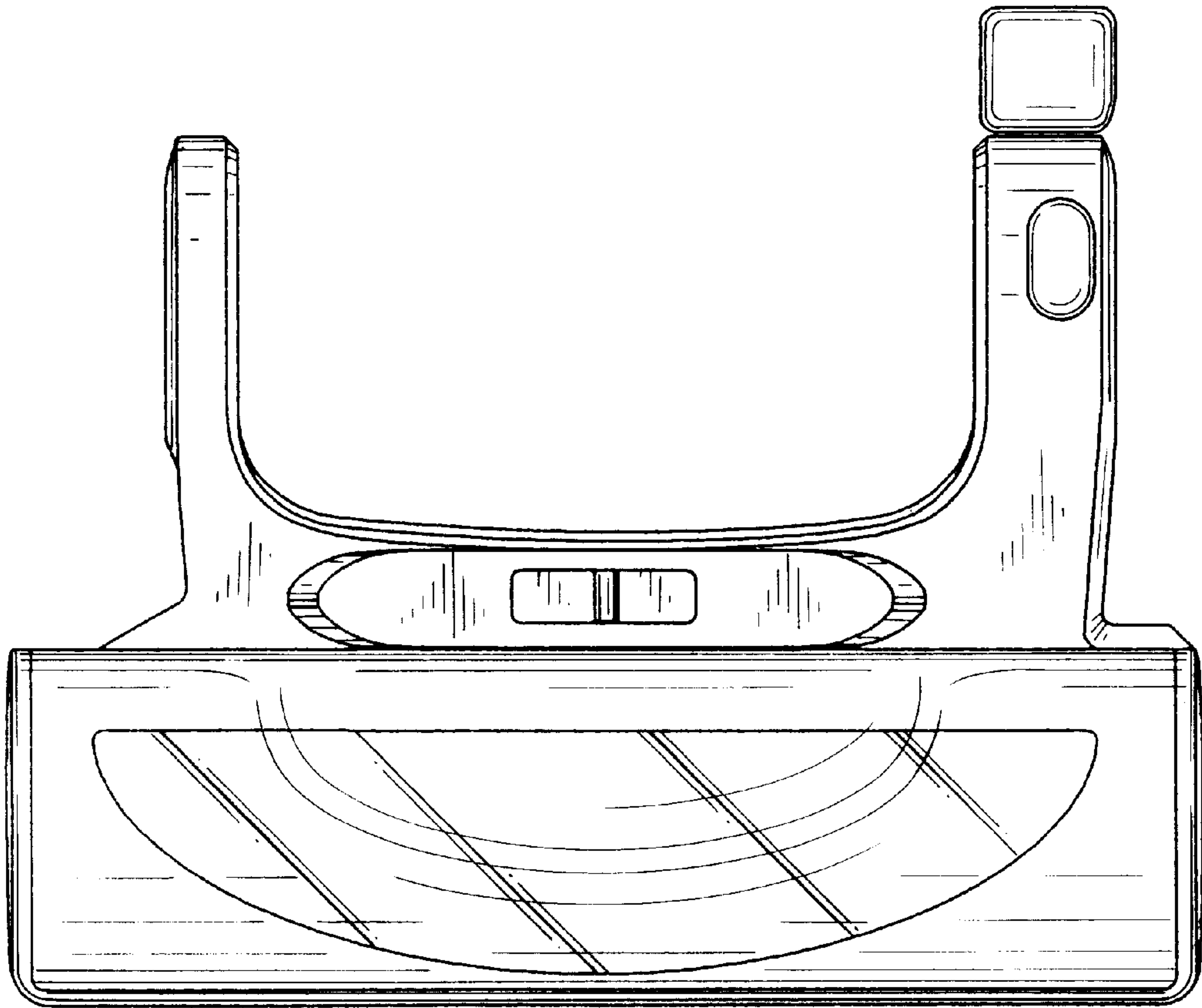


FIG. 5

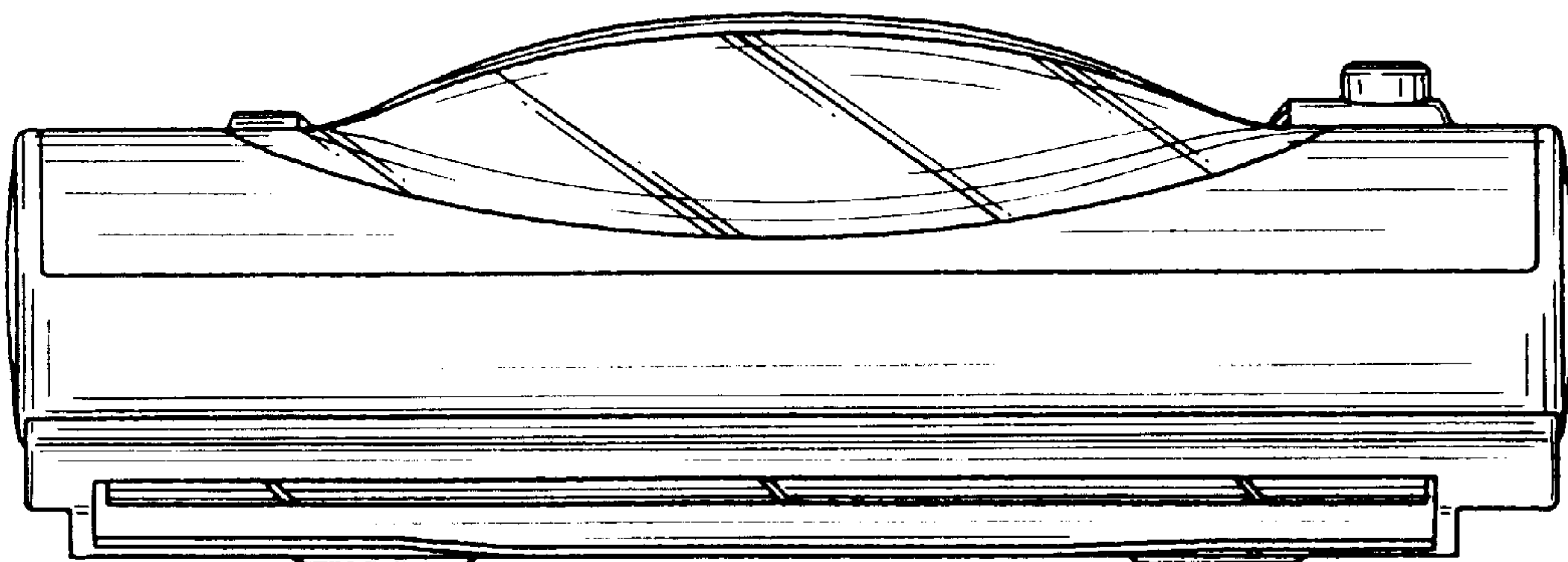


FIG. 6

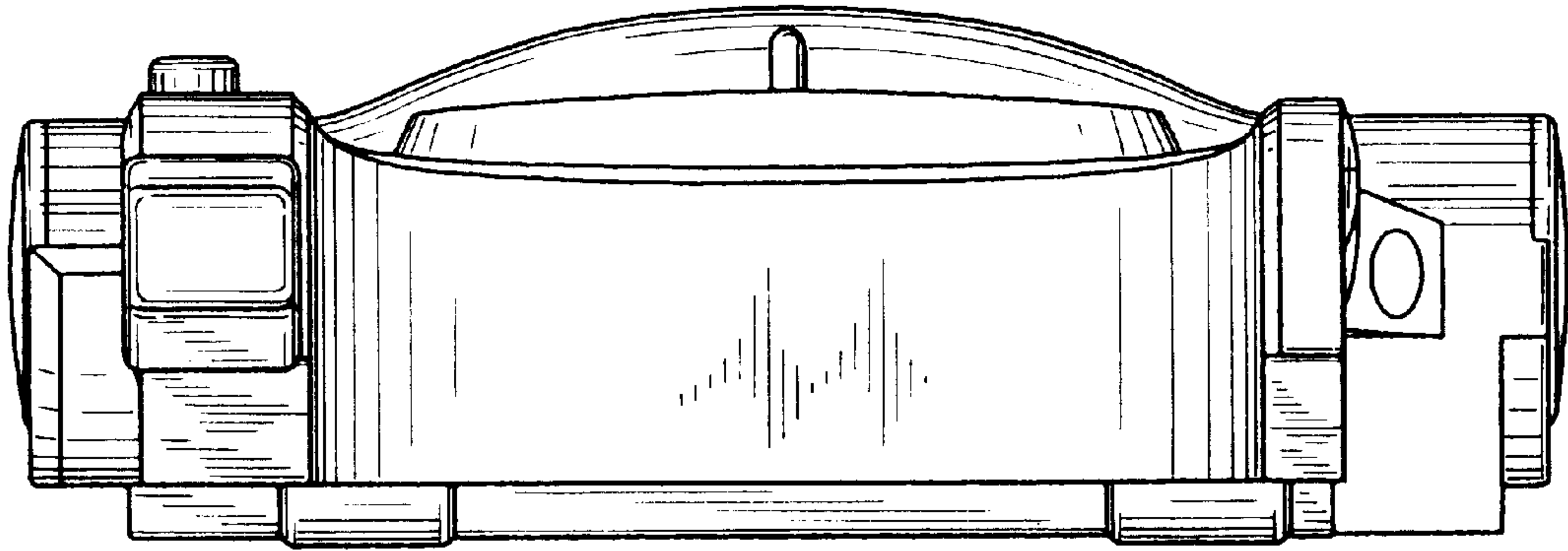


FIG. 7

