



US00D423739S

# United States Patent [19]

Herbert

[11] Patent Number: Des. 423,739

[45] Date of Patent: \*\* Apr. 25, 2000

[54] **MOTORIZED COOKWARE CLEANING DEVICE**

[76] Inventor: **Iry D Herbert**, 301 W. 22nd St., Rivera Beach, Fla. 33404

[\*\*] Term: **14 Years**

[21] Appl. No.: **29/112,077**

[22] Filed: **Oct. 8, 1999**

[51] **LOC (6) Cl.** ..... **15-05**

[52] **U.S. Cl.** ..... **D32/1; D4/102**

[58] **Field of Search** ..... D4/100, 102, 137; D32/1, 17, 35; 15/22.1, 28, 29, 97.2, 180

[56] **References Cited**

**U.S. PATENT DOCUMENTS**

D. 262,257	12/1981	Sohn	.....	D32/17
D. 274,957	8/1984	Gomez	.....	D4/102
4,131,966	1/1979	Gross	.....	15/28
4,250,587	2/1981	Beck, Jr.	.....	15/28

*Primary Examiner*—Alan P. Douglas  
*Assistant Examiner*—Lavone Tabor

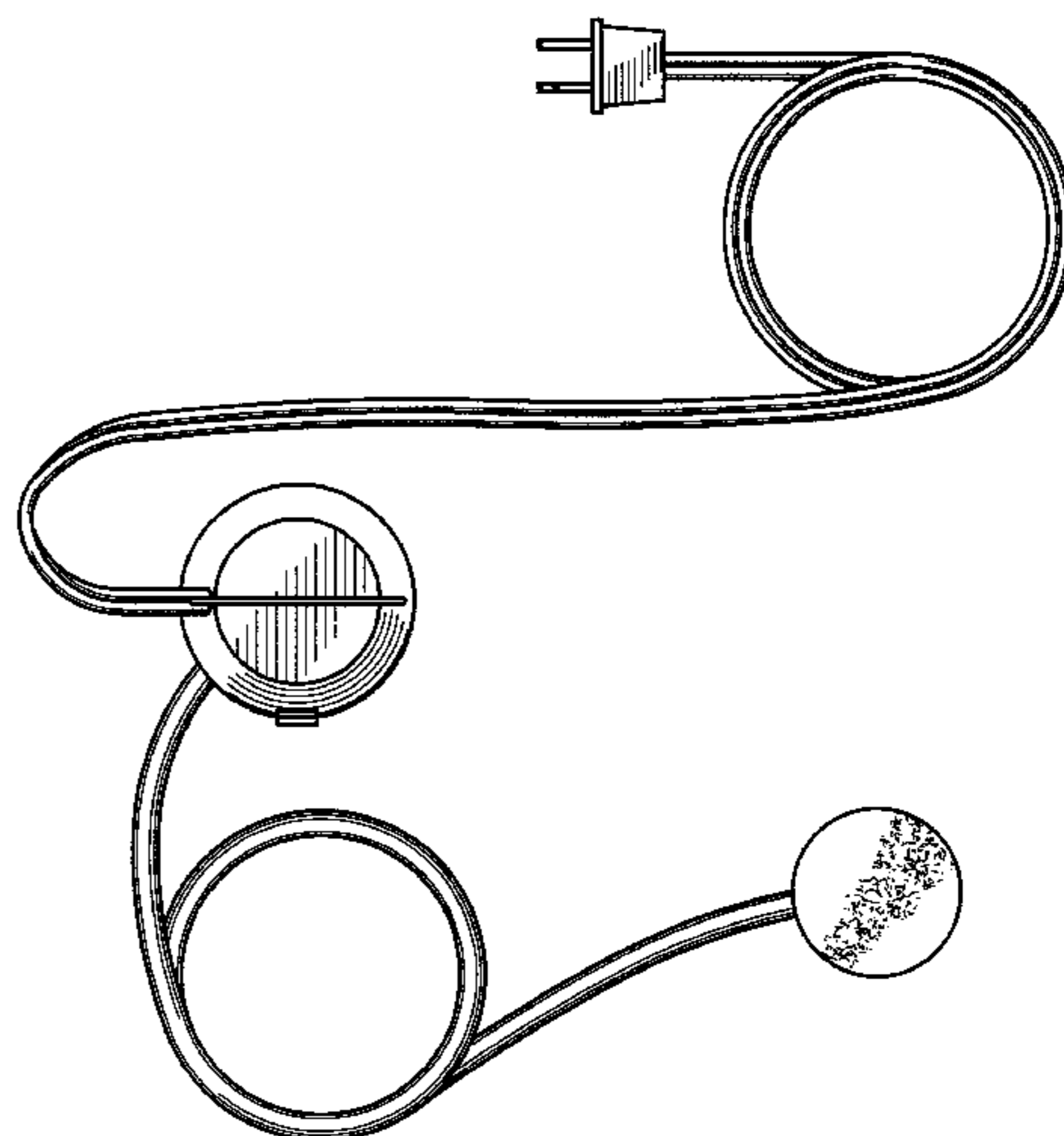
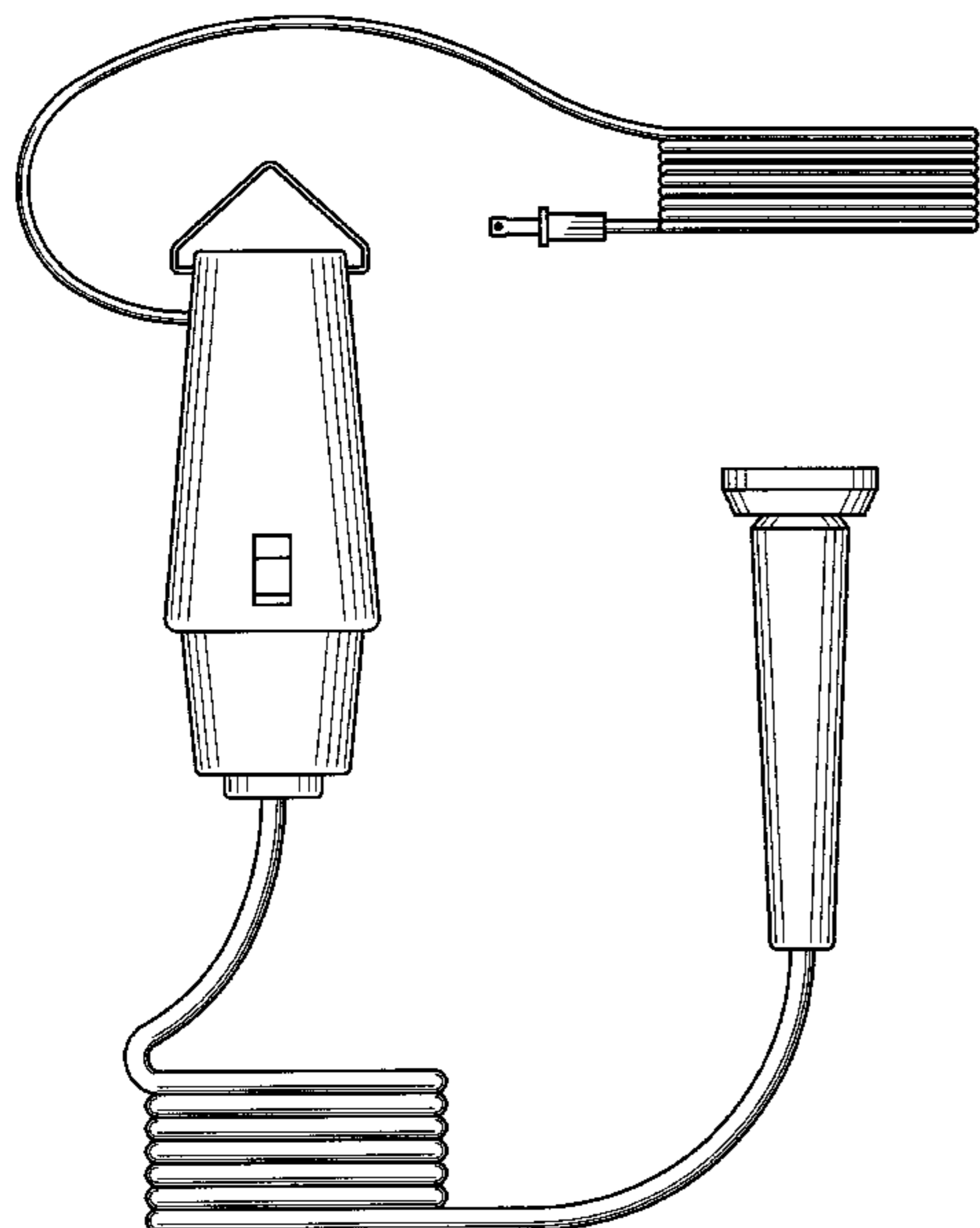
[57] **CLAIM**

The ornamental design for a motorized cookware cleaning device, as shown and described.

**DESCRIPTION**

FIG. 1 is a front elevational view of the motorized cookware cleaning device of the present invention; FIG. 2 is a rear elevational view of the motorized cookware cleaning device of FIG. 1; FIG. 3 is a left side elevational view of the motorized cookware cleaning device of FIG. 1; FIG. 4 is a right side elevational view of the motorized cookware cleaning device of FIG. 1; FIG. 5 is a top plan view of the motorized cookware cleaning device of FIG. 1; and, FIG. 6 is a bottom plan view of the motorized cookware cleaning device of FIG. 1.

**1 Claim, 6 Drawing Sheets**



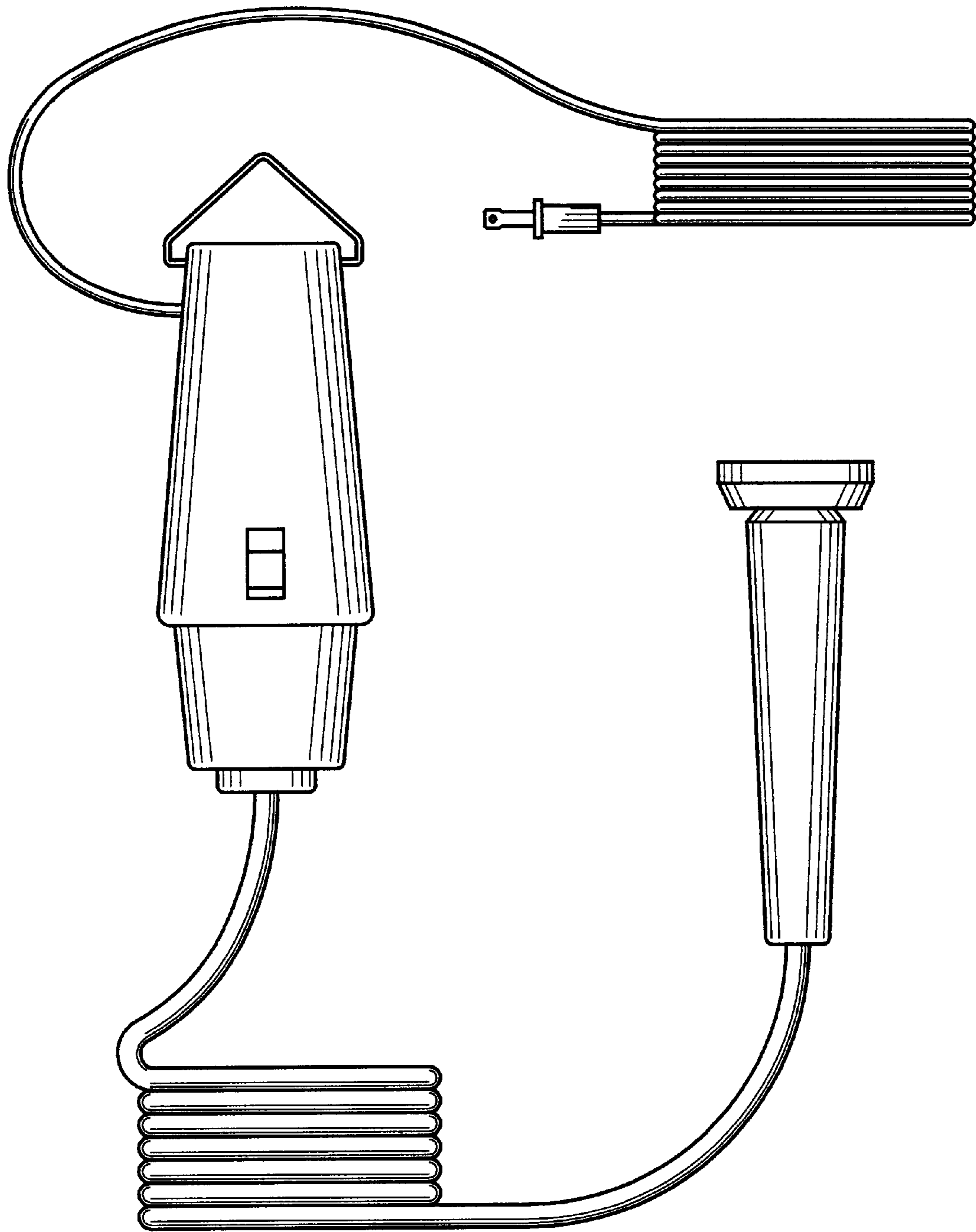


FIG. 1

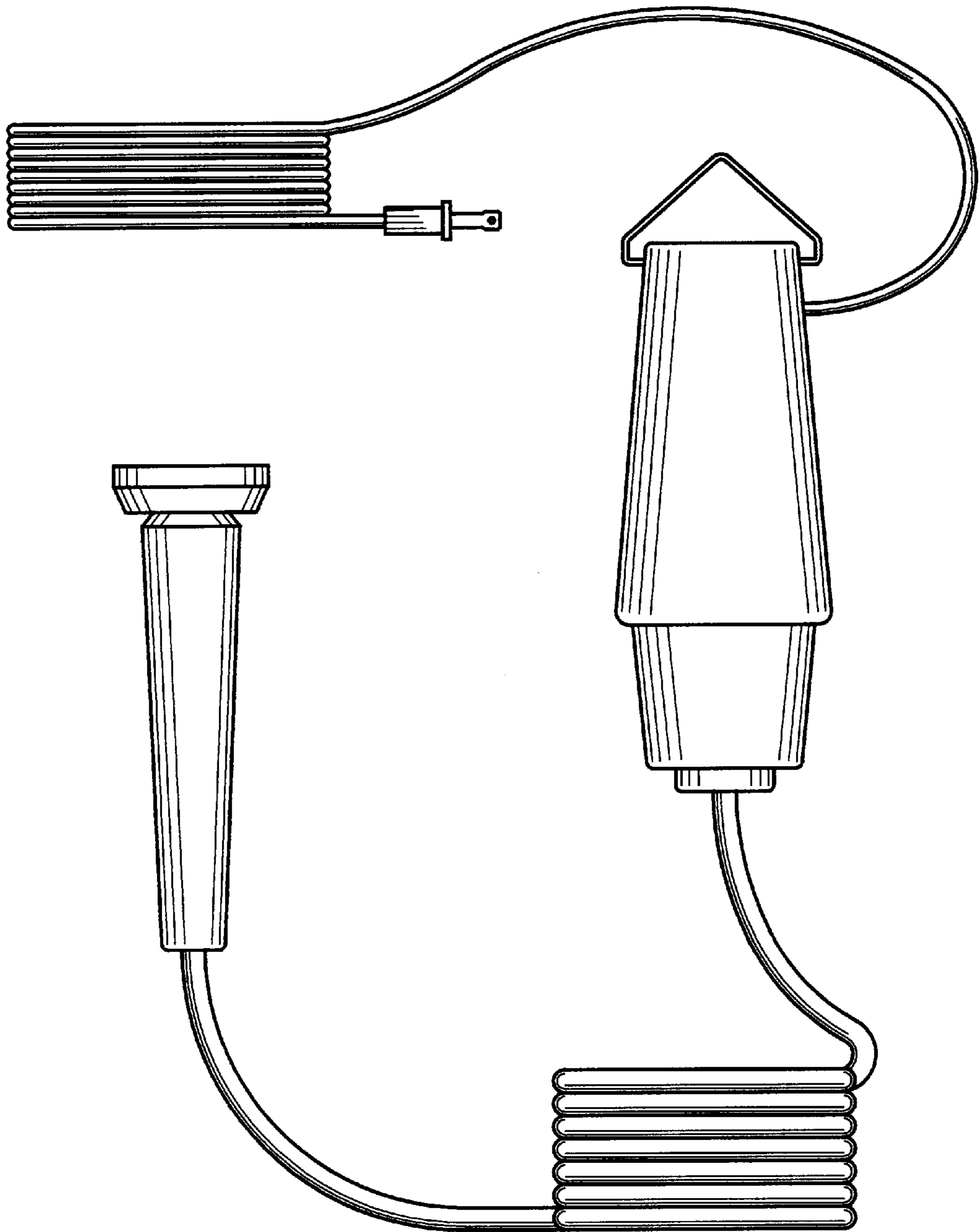


FIG. 2

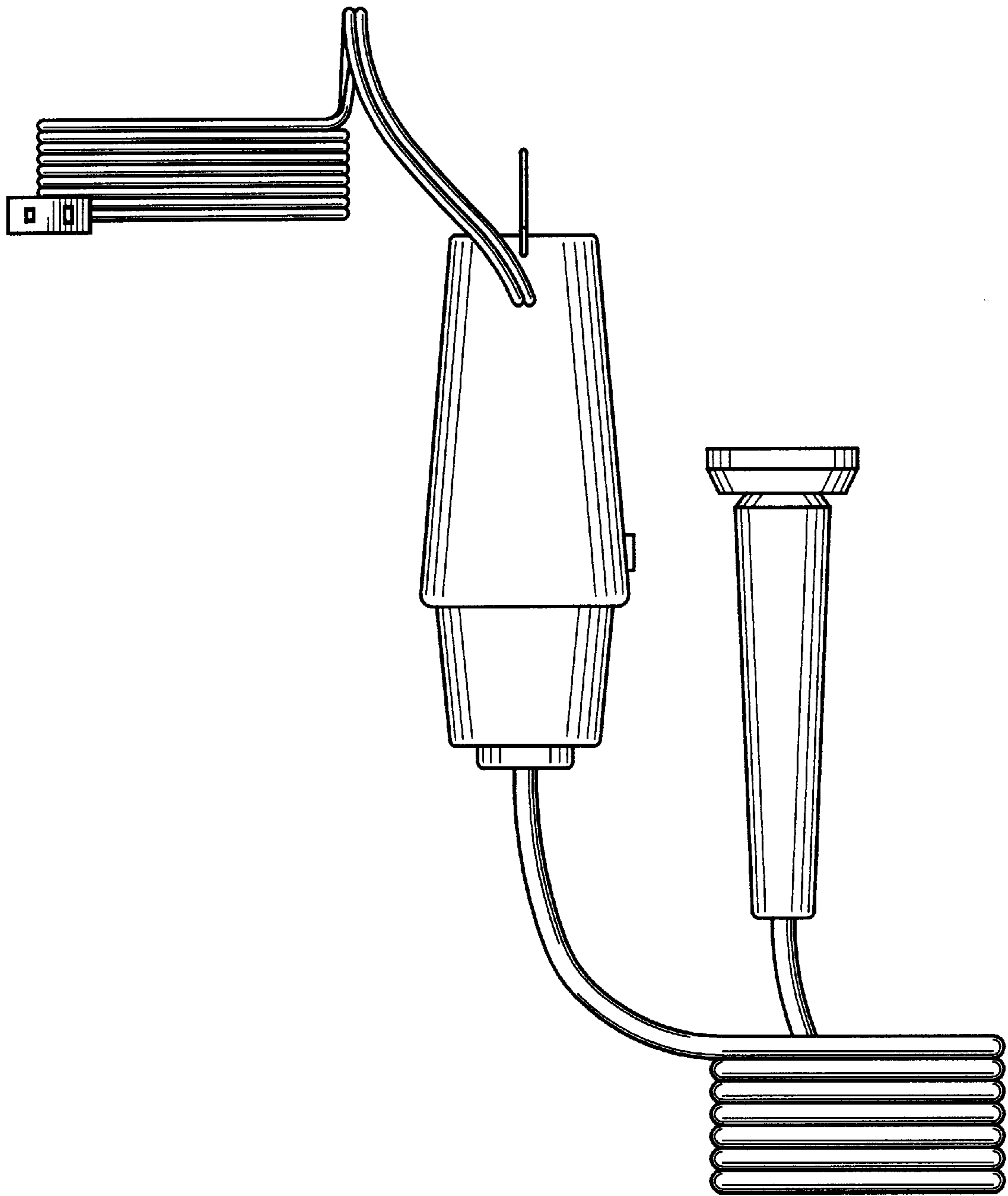


FIG. 3

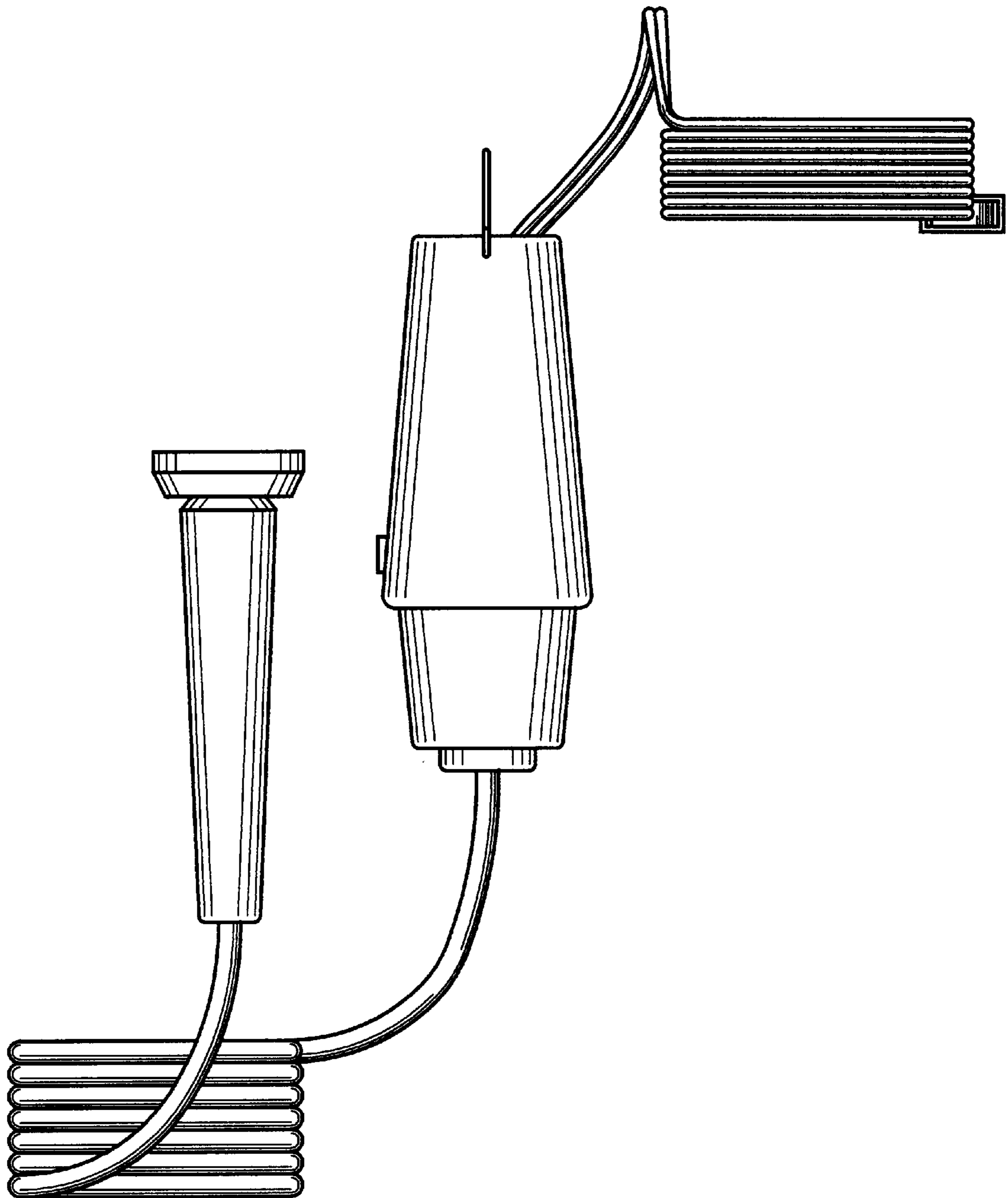


FIG. 4

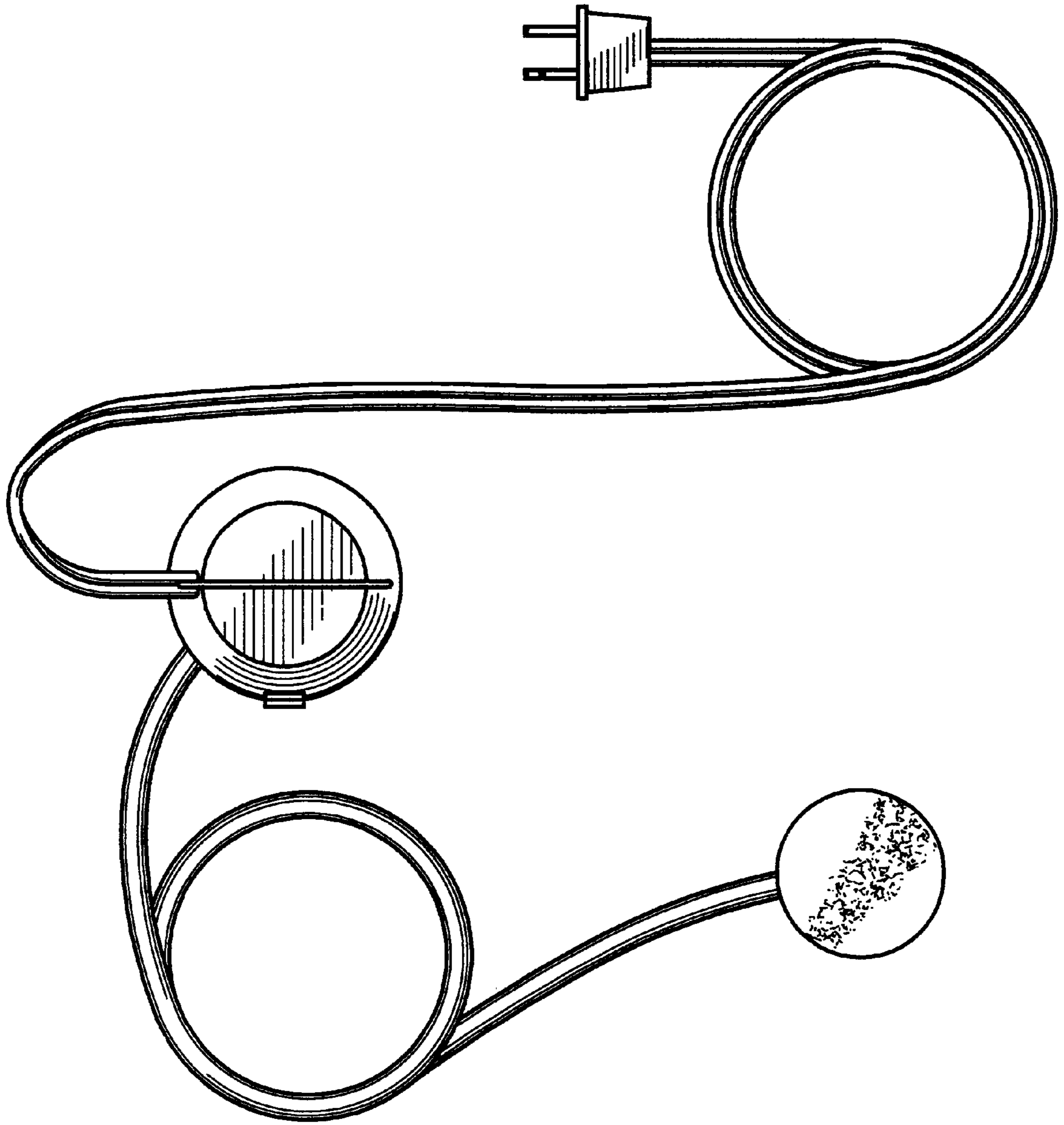


FIG. 5

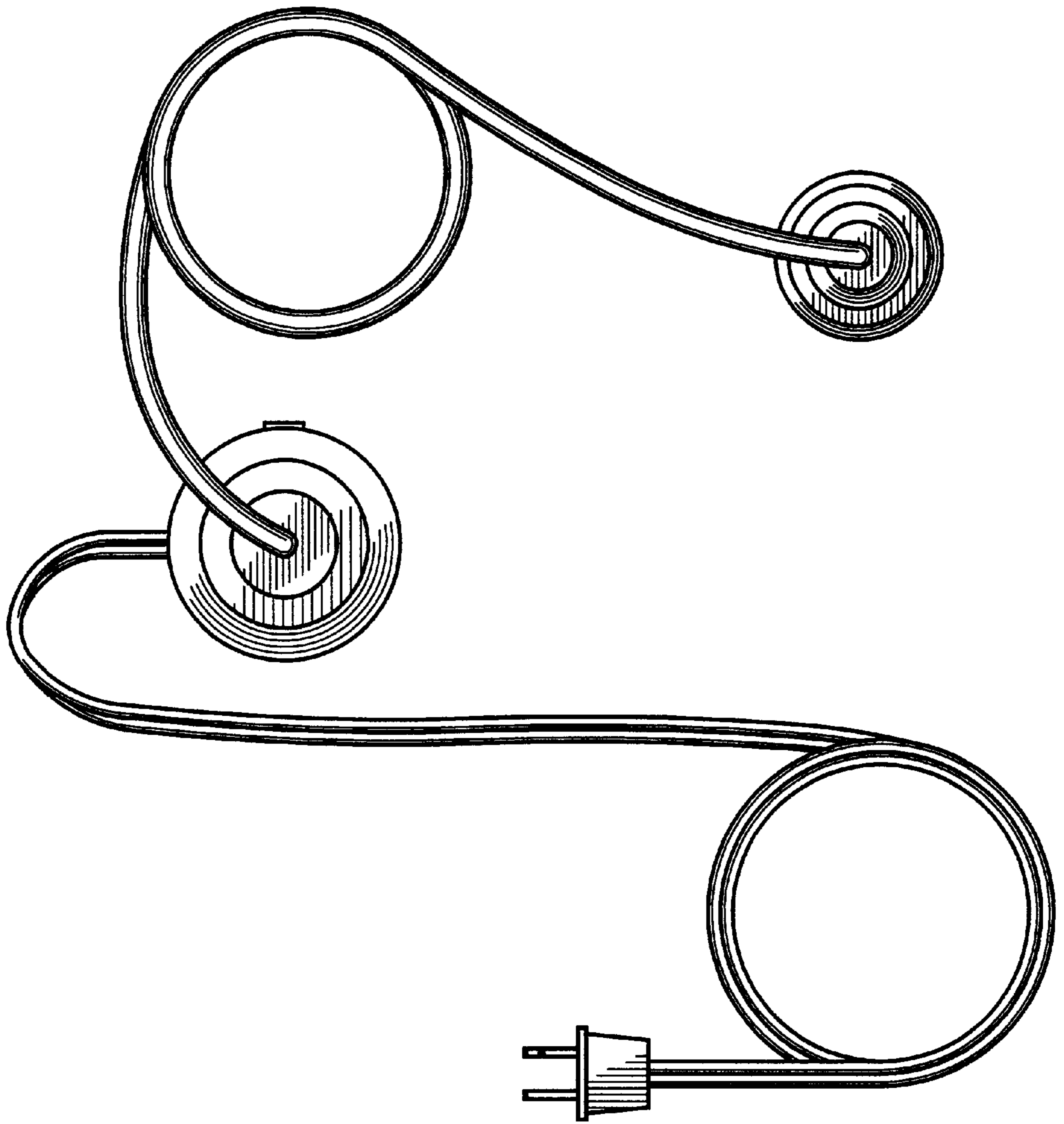


FIG. 6