



US00D423736S

United States Patent [19]

O'Rourke et al.

[11] Patent Number: Des. 423,736

[45] Date of Patent: ** Apr. 25, 2000

[54] **PORTABLE CANINE WATER DISPENSING AND DRINKING DEVICE**

[75] Inventors: **Anthony O'Rourke**, 23852 Pacific Coast Hwy., #201, Malibu, Calif. 90265; **Elwin Arthur Russell**, Los Angeles, Calif.

[73] Assignee: **Anthony O'Rourke**, Malibu, Calif.

[**] Term: **14 Years**

[21] Appl. No.: **29/099,104**

[22] Filed: **Jan. 13, 1999**

[51] **LOC (6) Cl.** **30-03**

[52] **U.S. Cl.** **D30/132**

[58] **Field of Search** D30/121-133; 119/51.5, 52.1, 53, 74-78, 73, 72, 80; D7/605, 608, 619

[56] **References Cited**

U.S. PATENT DOCUMENTS

D. 335,197	4/1993	Strickland	D30/132
D. 351,689	10/1994	Vanskiver	D30/121
D. 402,425	12/1998	Lacz et al.	D30/121
4,573,434	3/1986	Gardner	119/77
5,259,336	11/1993	Clark	119/51.5

Primary Examiner—Louis S. Zarfaz
Assistant Examiner—Catherine R. Oliver
Attorney, Agent, or Firm—Lyon & Lyon LLP

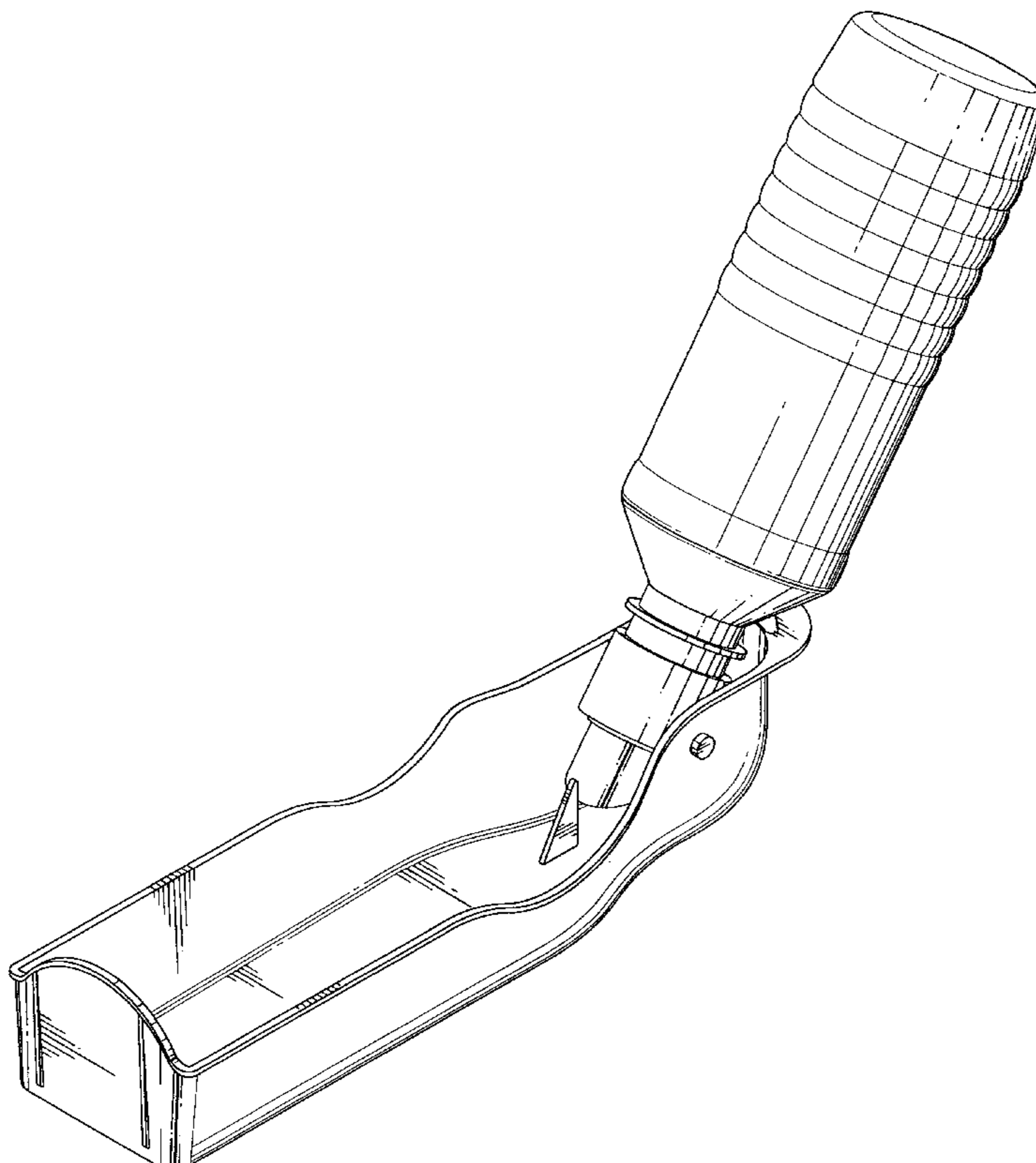
[57] **CLAIM**

The ornamental design for a portable canine water dispensing and drinking device, as shown and described.

DESCRIPTION

FIG. 1 is a perspective view of the portable canine water dispensing and drinking device showing my new design in the water dispensing and drinking position; FIG. 2 is a top plan view thereof; FIG. 3 is a right side elevational view thereof, the left side being a mirror image thereof; FIG. 4 is a front elevational view thereof; FIG. 5 is a bottom plan view thereof; FIG. 6 is a rear elevational view thereof; FIG. 7 is a perspective view of the portable canine water dispensing and drinking device showing our new design in the folded carrying and storage position; FIG. 8 is a top plan view of the portable canine water dispensing and drinking device showing my new design in the folded carrying and storage position; FIG. 9 is a right side elevational view of the portable canine water dispensing and drinking device showing my new design in the folded carrying and storage position and wherein a portion of the drinking pan is broken away to show the nozzle assembly, the left side view being a mirror image of the right side view; and, FIG. 10 is a sectional view taken along the line 10—10 in FIG. 8.

1 Claim, 5 Drawing Sheets



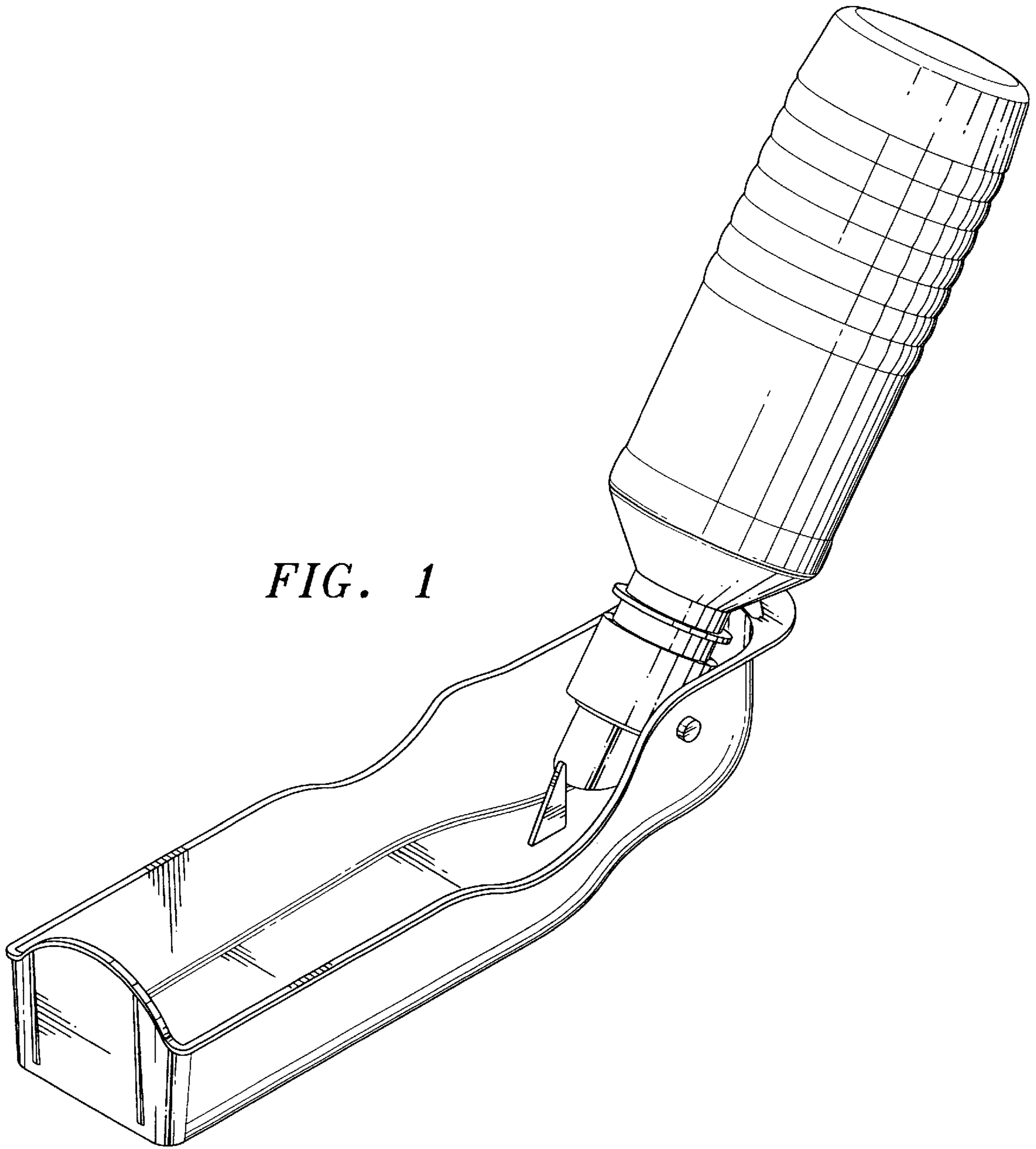


FIG. 1

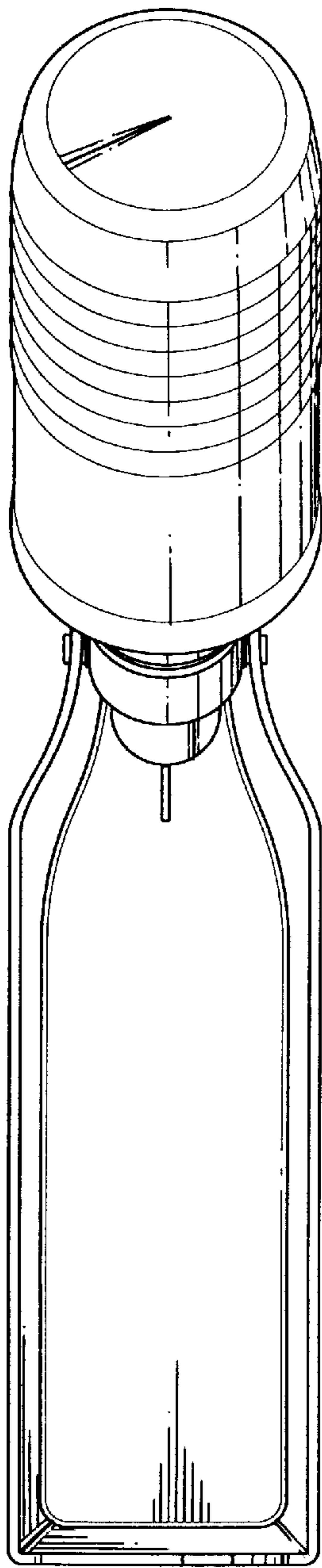


FIG. 2

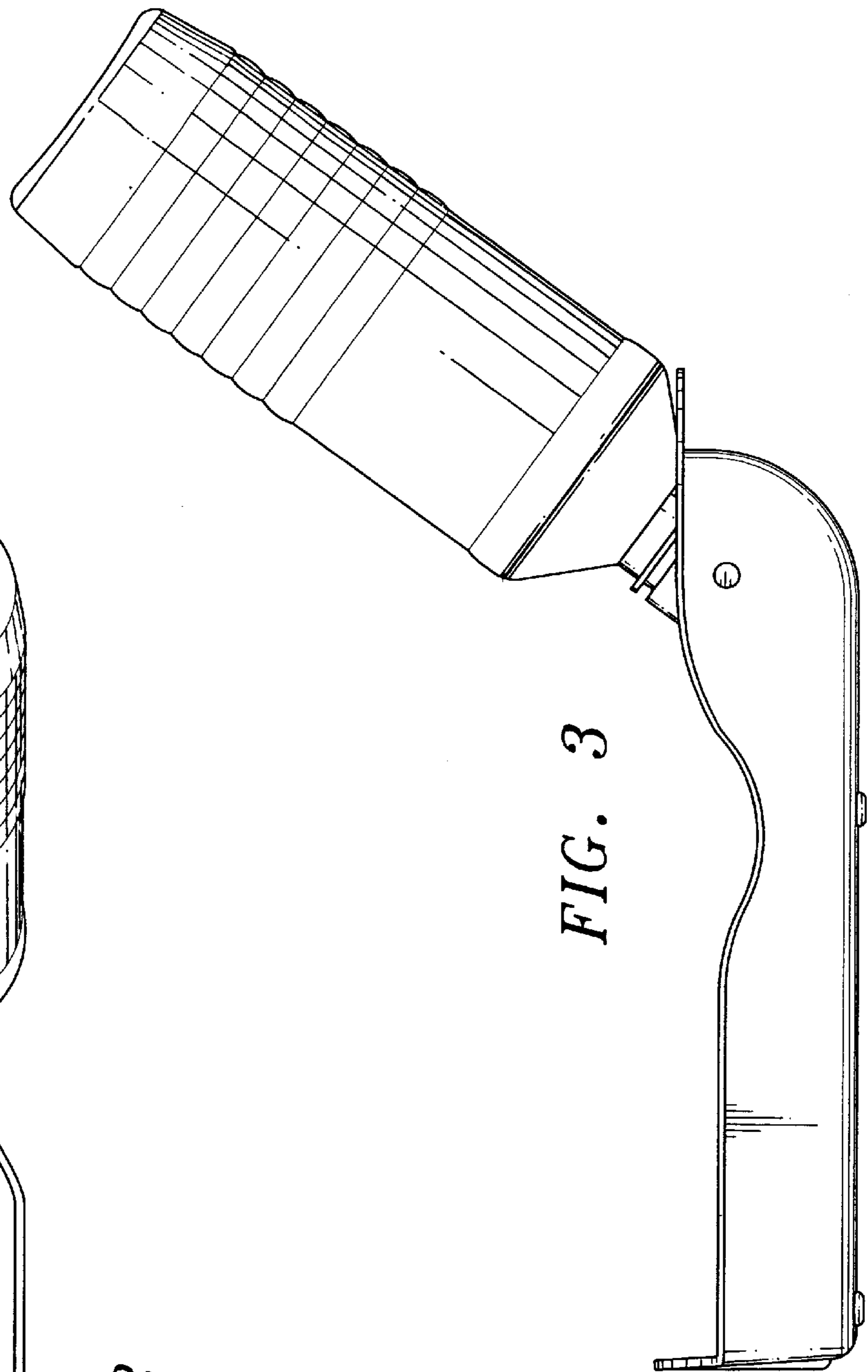


FIG. 3

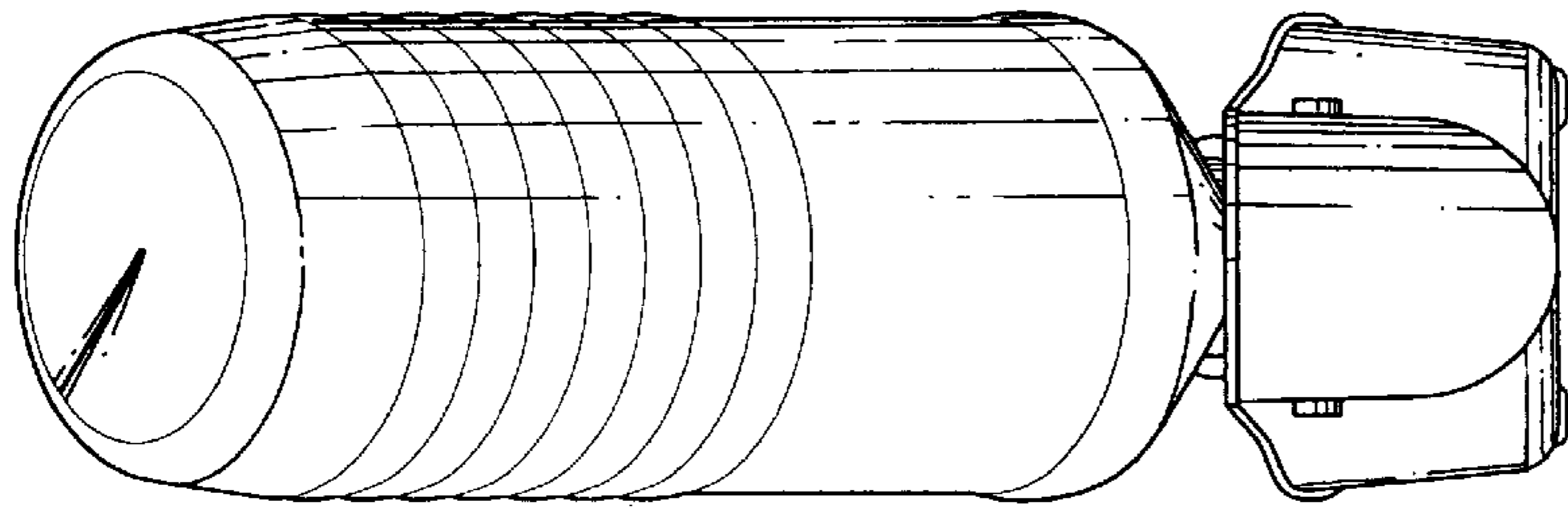


FIG. 6

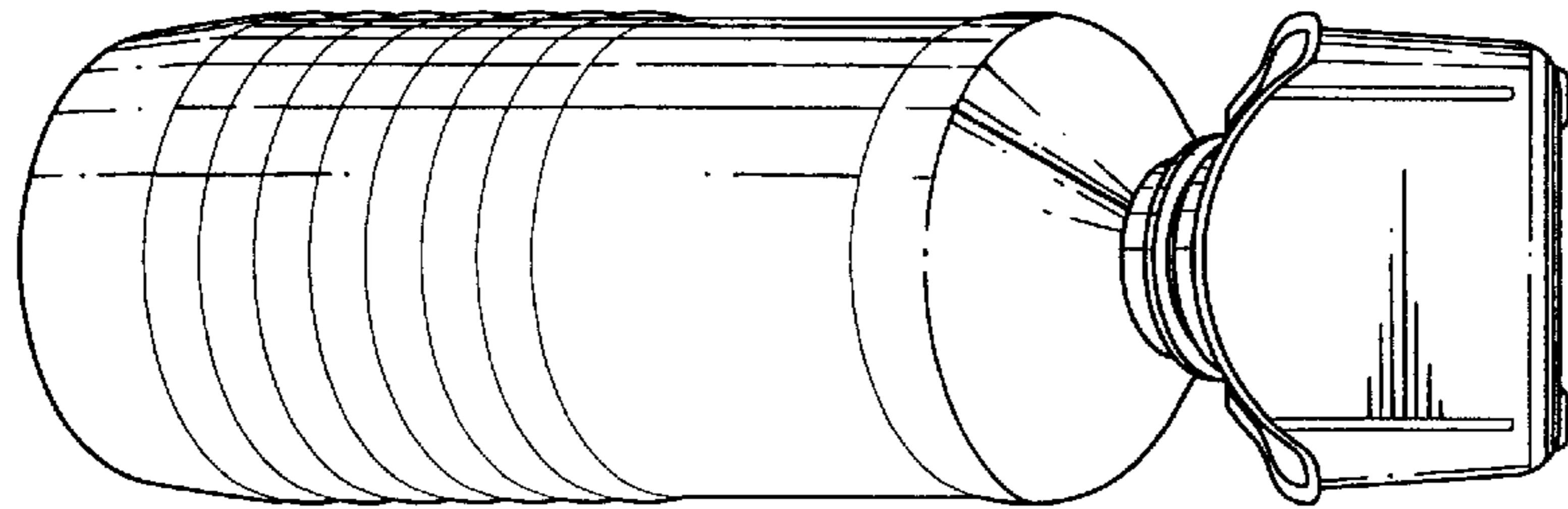


FIG. 4

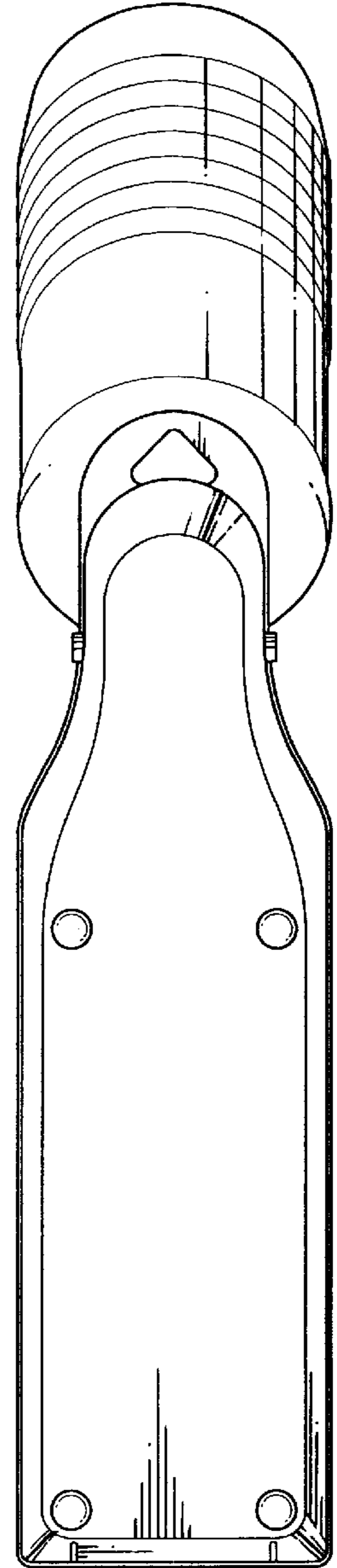


FIG. 5

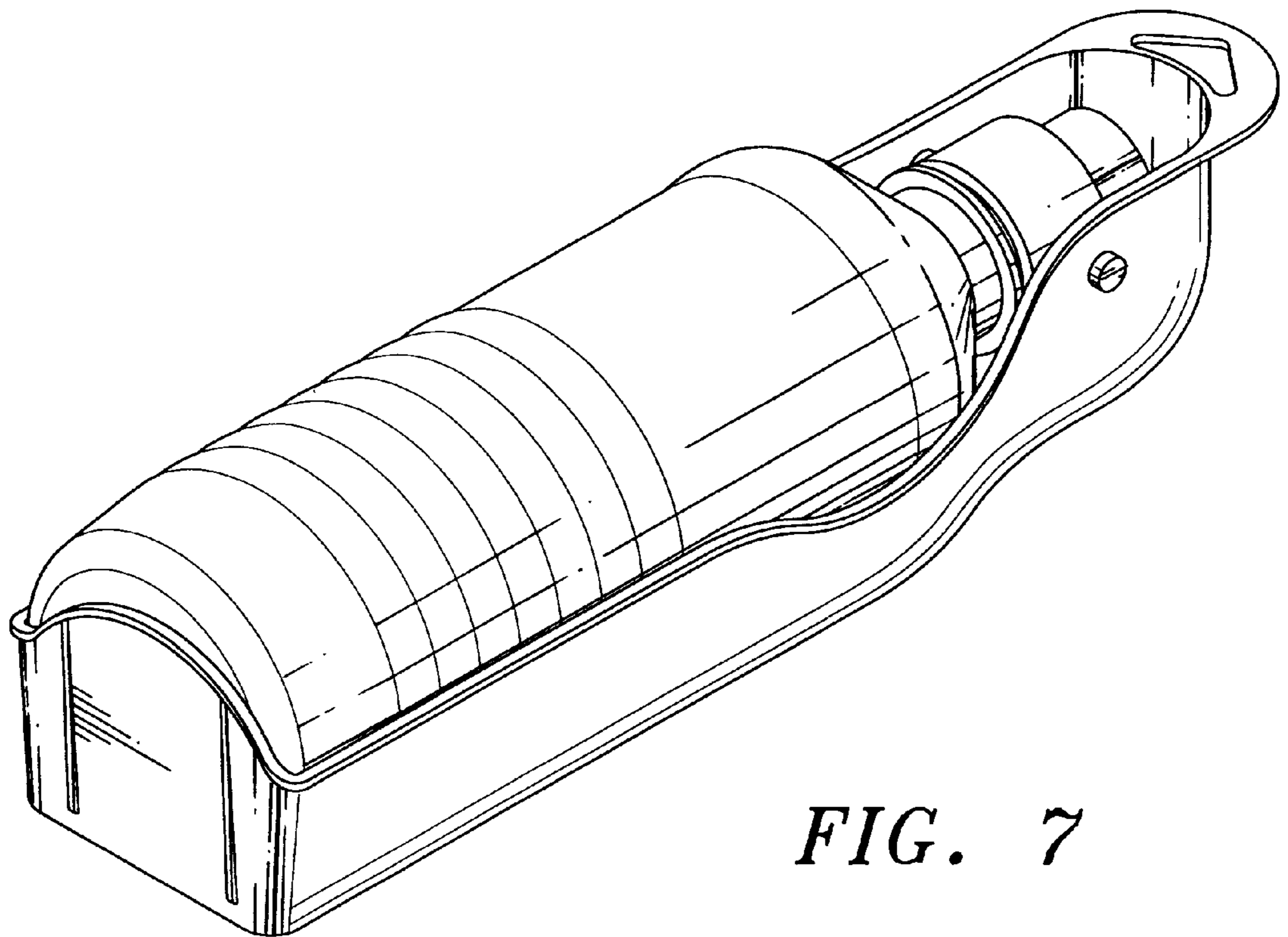


FIG. 7

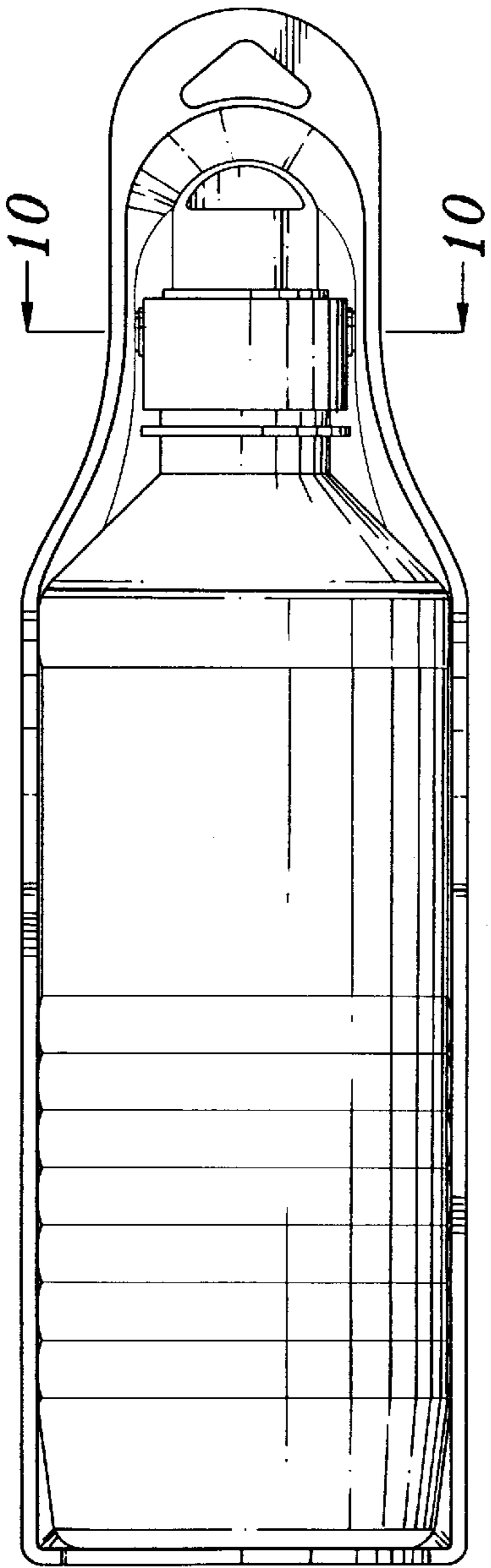


FIG. 8

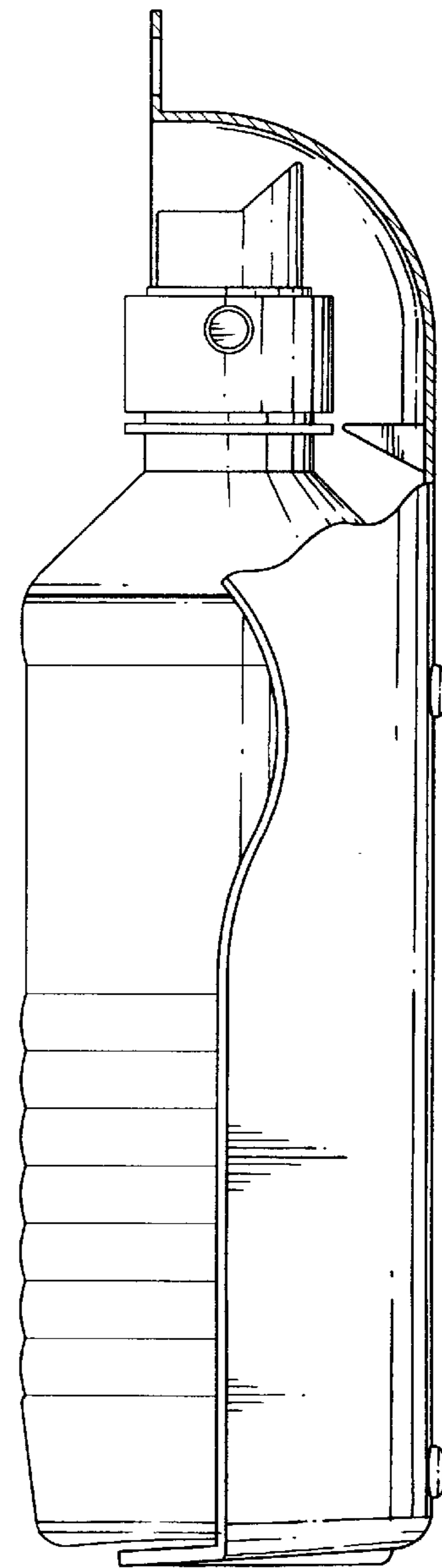


FIG. 9

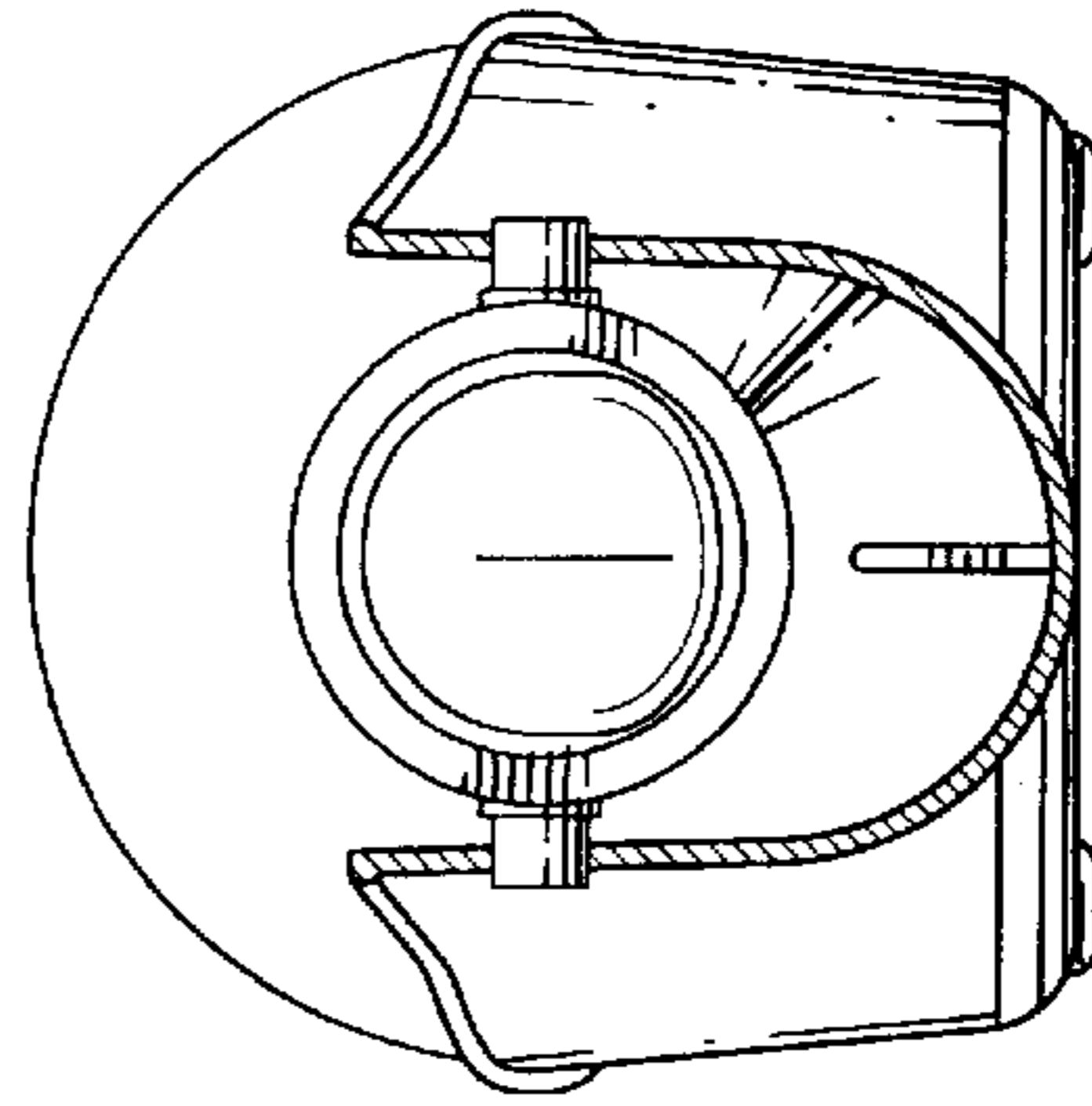


FIG. 10