



US00D423730S

United States Patent [19]
Knauff

[11] **Patent Number: Des. 423,730**

[45] **Date of Patent: ** Apr. 25, 2000**

[54] **PET DRINKING AID**

5,144,912 9/1992 Hammett et al. 119/61

[76] Inventor: **Paul A. Knauff**, 11835 Gregory Rd.,
Anchorage, Ak. 99516

Primary Examiner—Louis S. Zarfes
Assistant Examiner—Catherine R. Oliver
Attorney, Agent, or Firm—Michael Tavella

[**] Term: **14 Years**

[57] **CLAIM**

[21] Appl. No.: **29/106,961**

The ornamental design for a pet drinking aid, as shown and described.

[22] Filed: **Jun. 24, 1999**

DESCRIPTION

[51] **LOC (6) Cl.** **30-07**

[52] **U.S. Cl.** **D30/121**

[58] **Field of Search** D30/121-128,
D30/161, 133; D8/354; D7/701; D6/525;
248/128; 119/161, 162, 163, 164-170; 4/1,
300.3

FIG. 1 is a perspective view of the pet drinking aid showing my new design;

FIG. 2 is a front elevation view thereof.

FIG. 3 is a top plan view thereof.

FIG. 4 is a bottom plan view thereof.

FIG. 5 is a rear elevation view thereof.

FIG. 6 is a left side elevation view thereof.

FIG. 7 is a right side elevation view thereof; and,

FIG. 8 is a perspective view, shown in use.

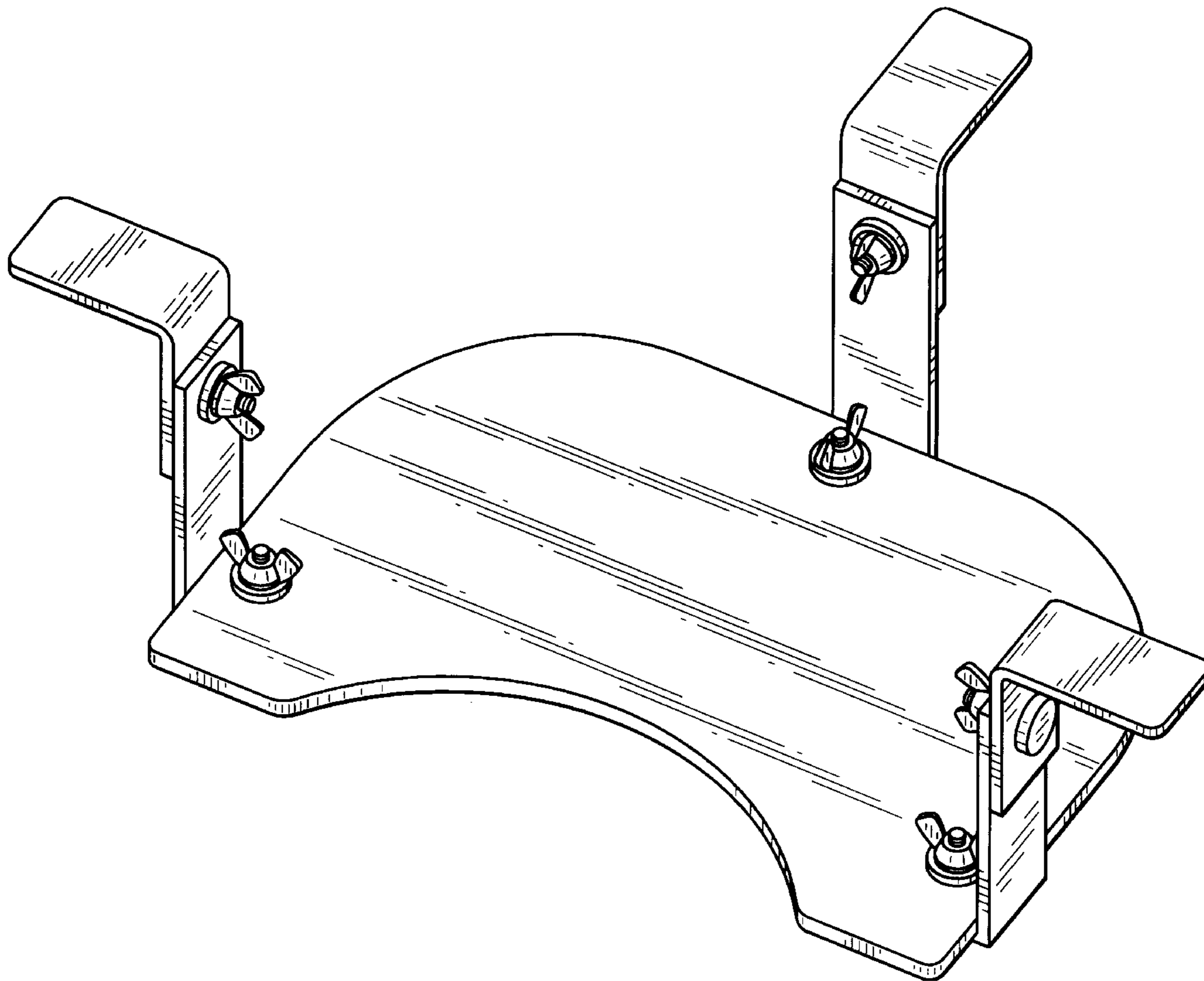
The broken line showing of environment being for illustrative purposes only and forming no part of the claimed design.

[56] **References Cited**

U.S. PATENT DOCUMENTS

D. 262,760	1/1982	Adams et al.	D7/701
D. 271,435	11/1983	Kullenbäck	D30/161
D. 358,233	5/1995	Weaver	D30/133
3,486,172	12/1969	Gleichert	4/1
4,437,430	3/1984	De Bardeleben	119/162

1 Claim, 5 Drawing Sheets



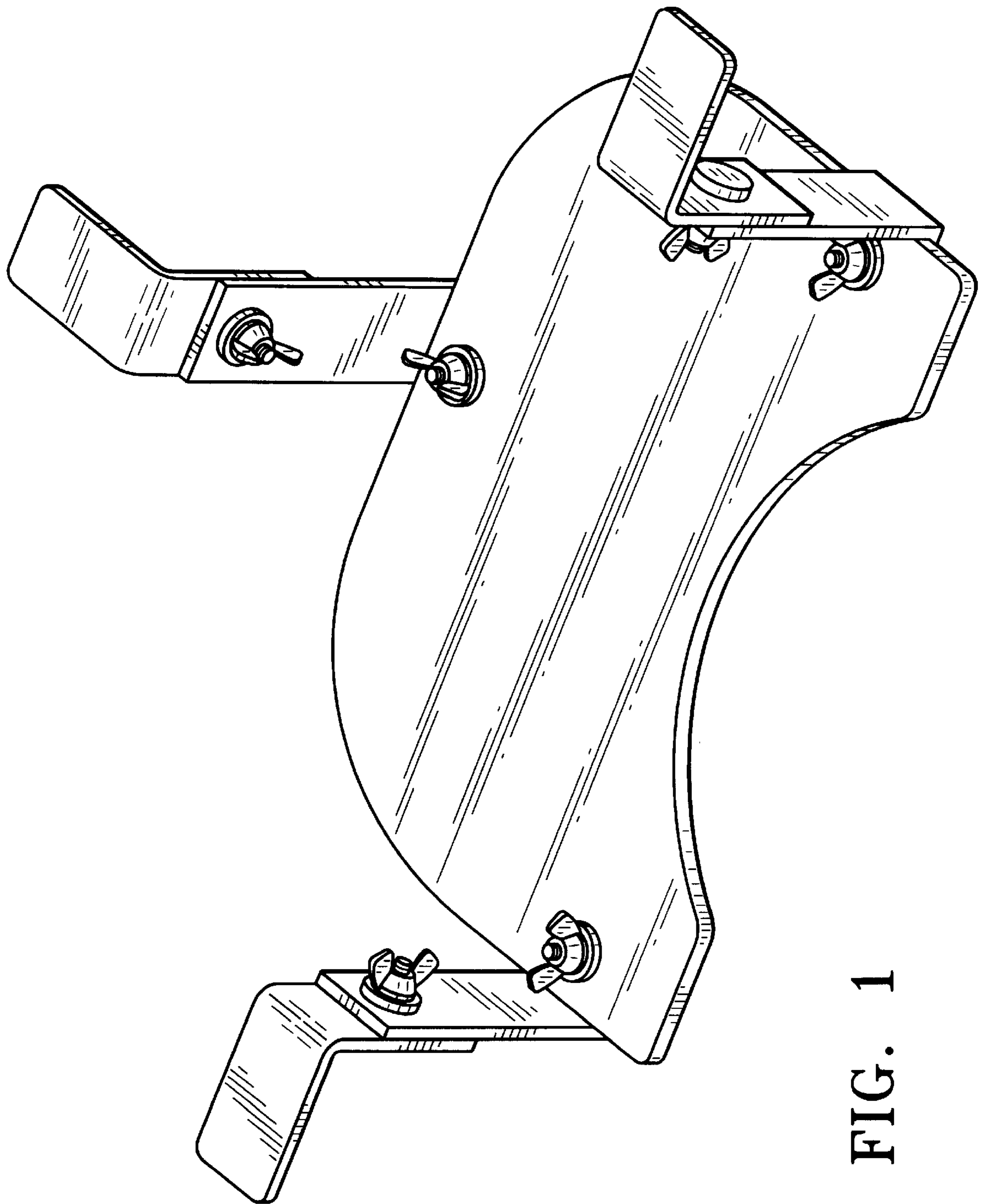


FIG. 1

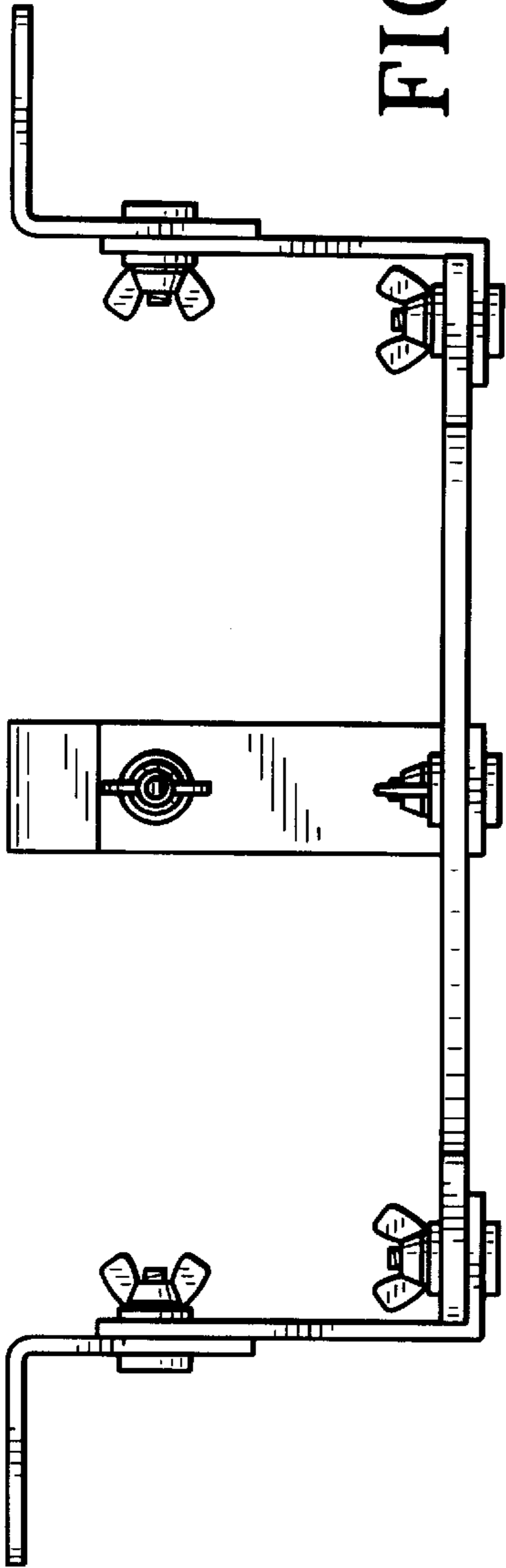


FIG. 2

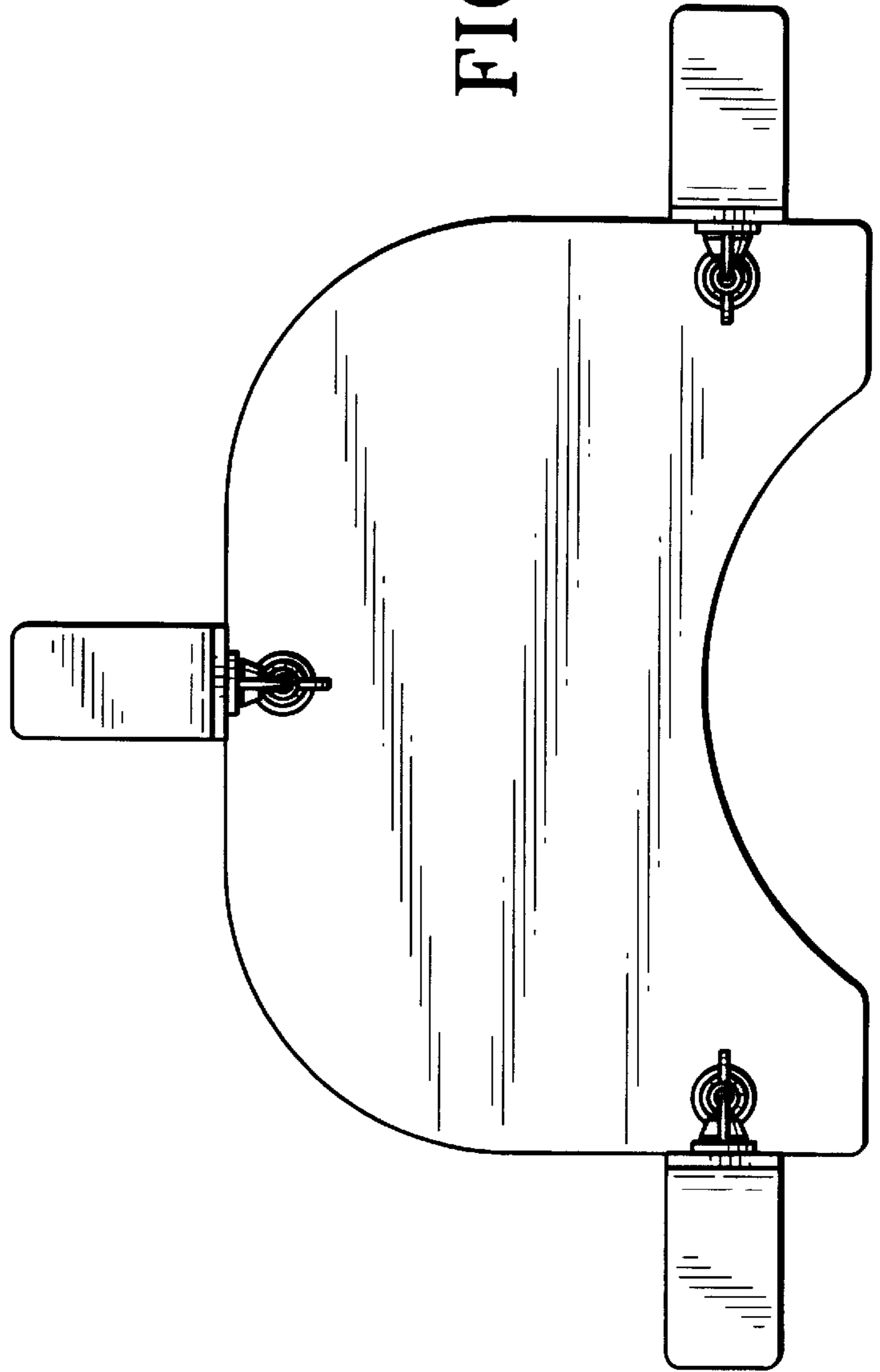


FIG. 3

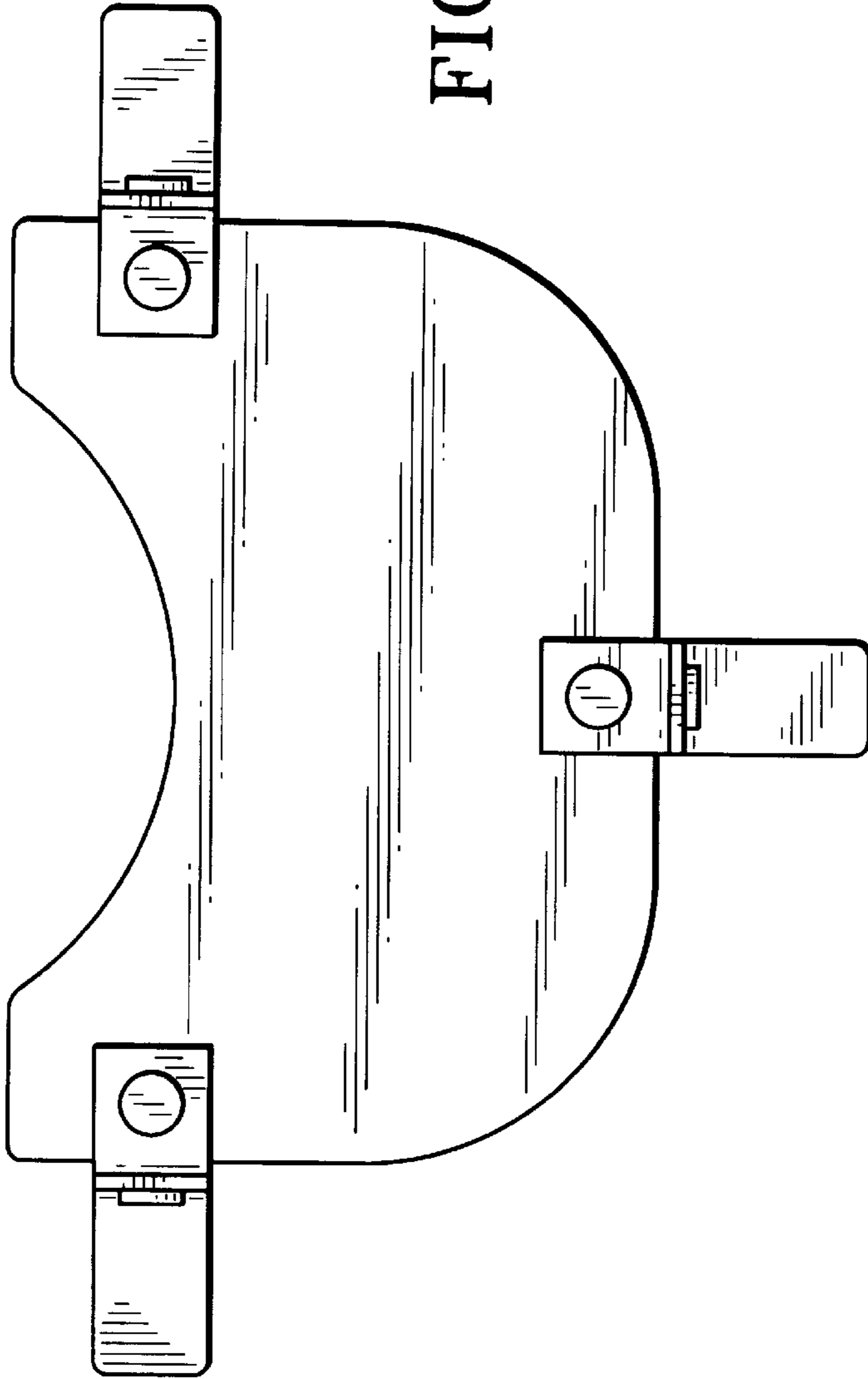


FIG. 4

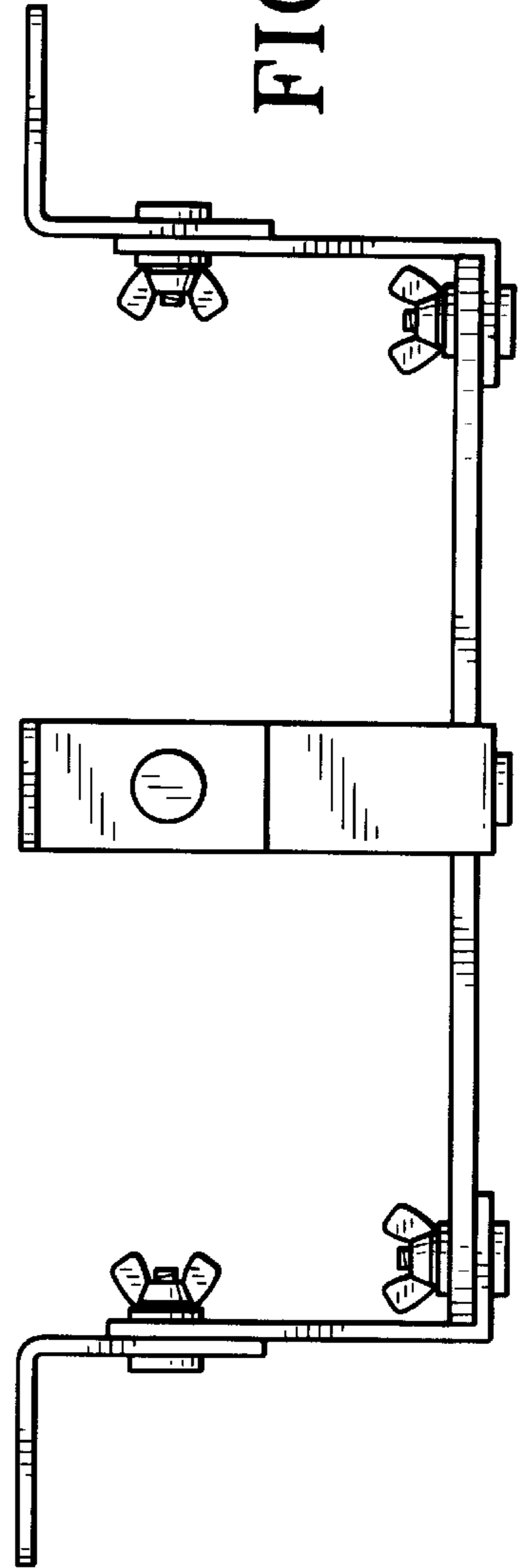


FIG. 5

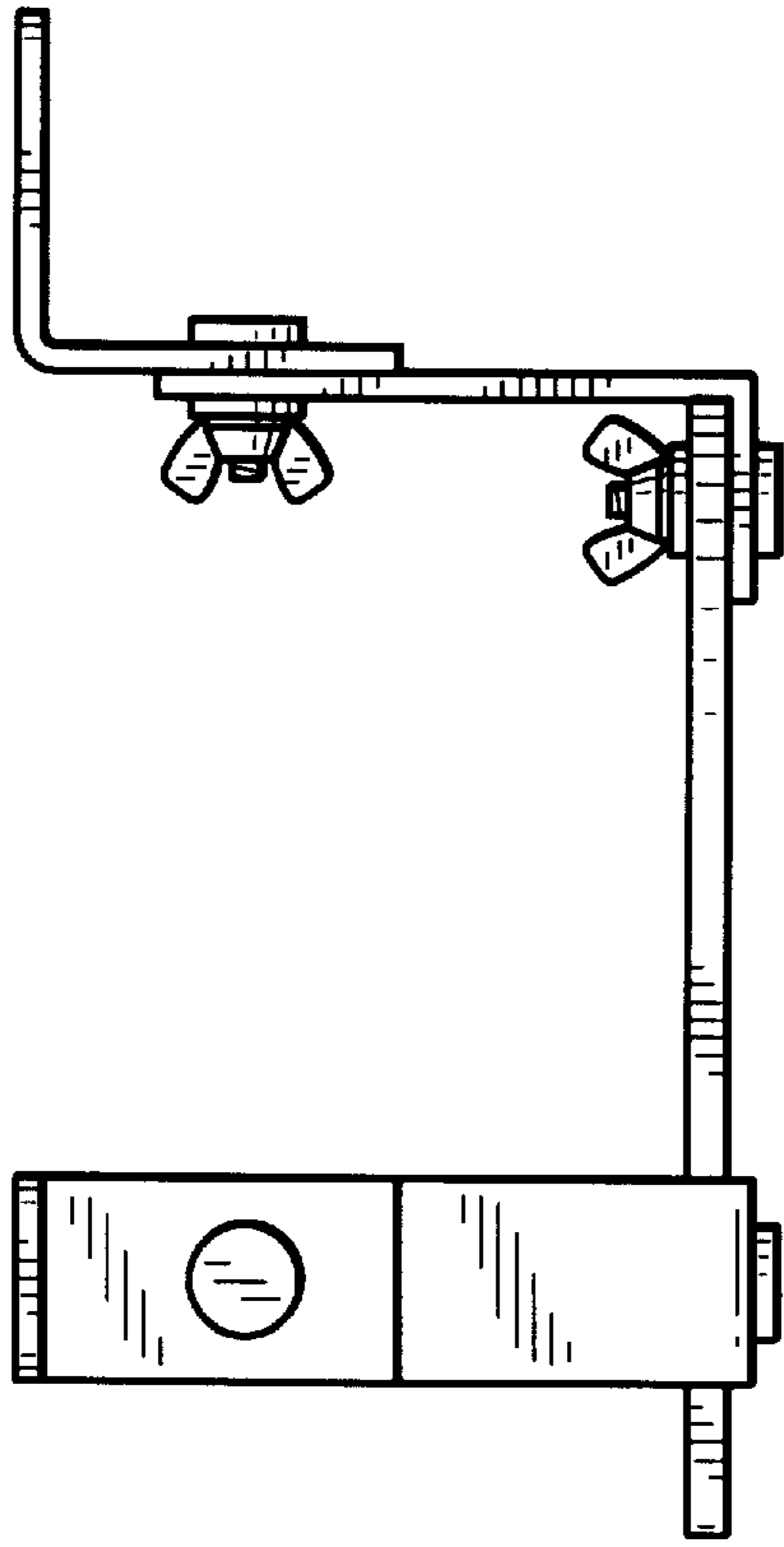


FIG. 7

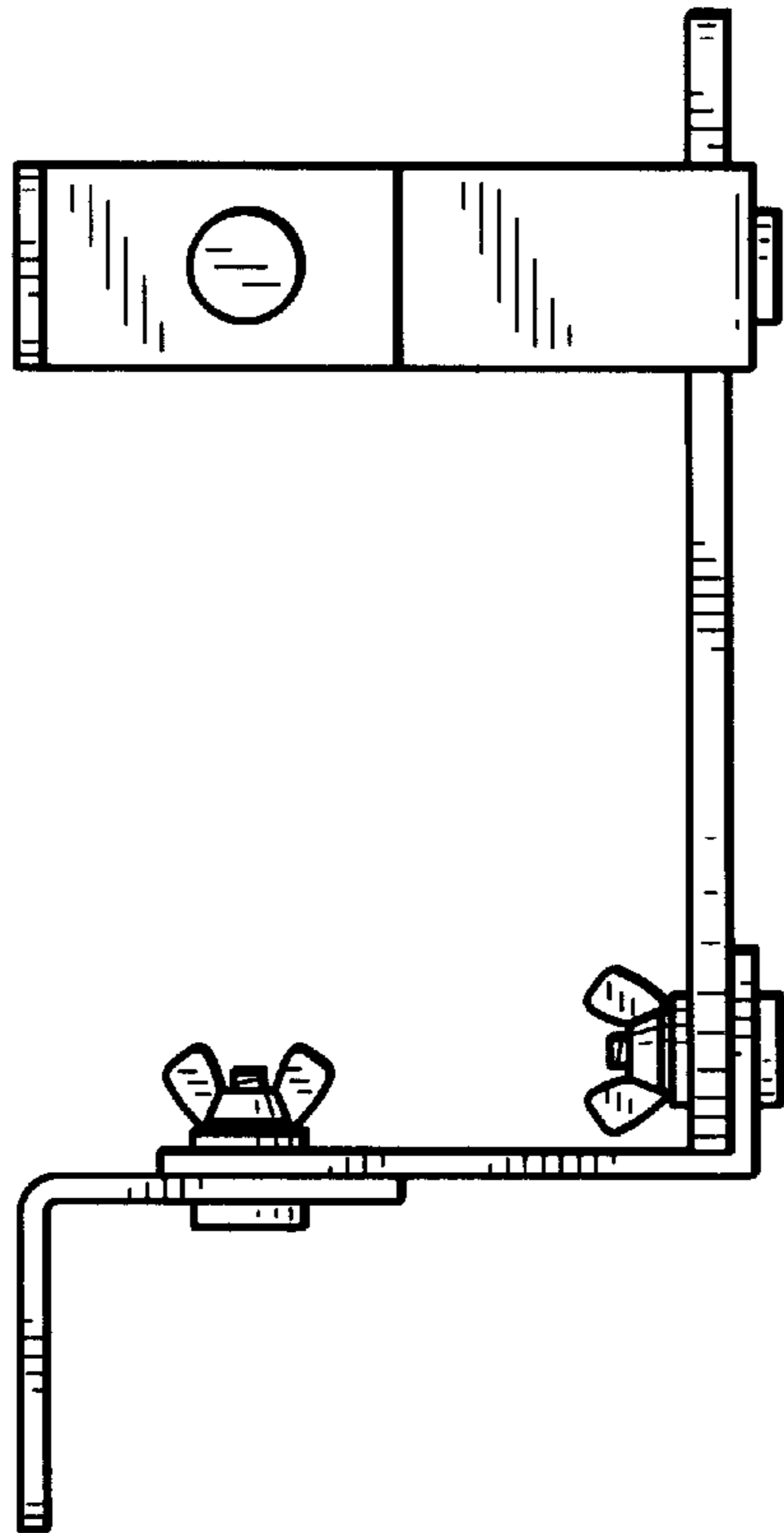


FIG. 6

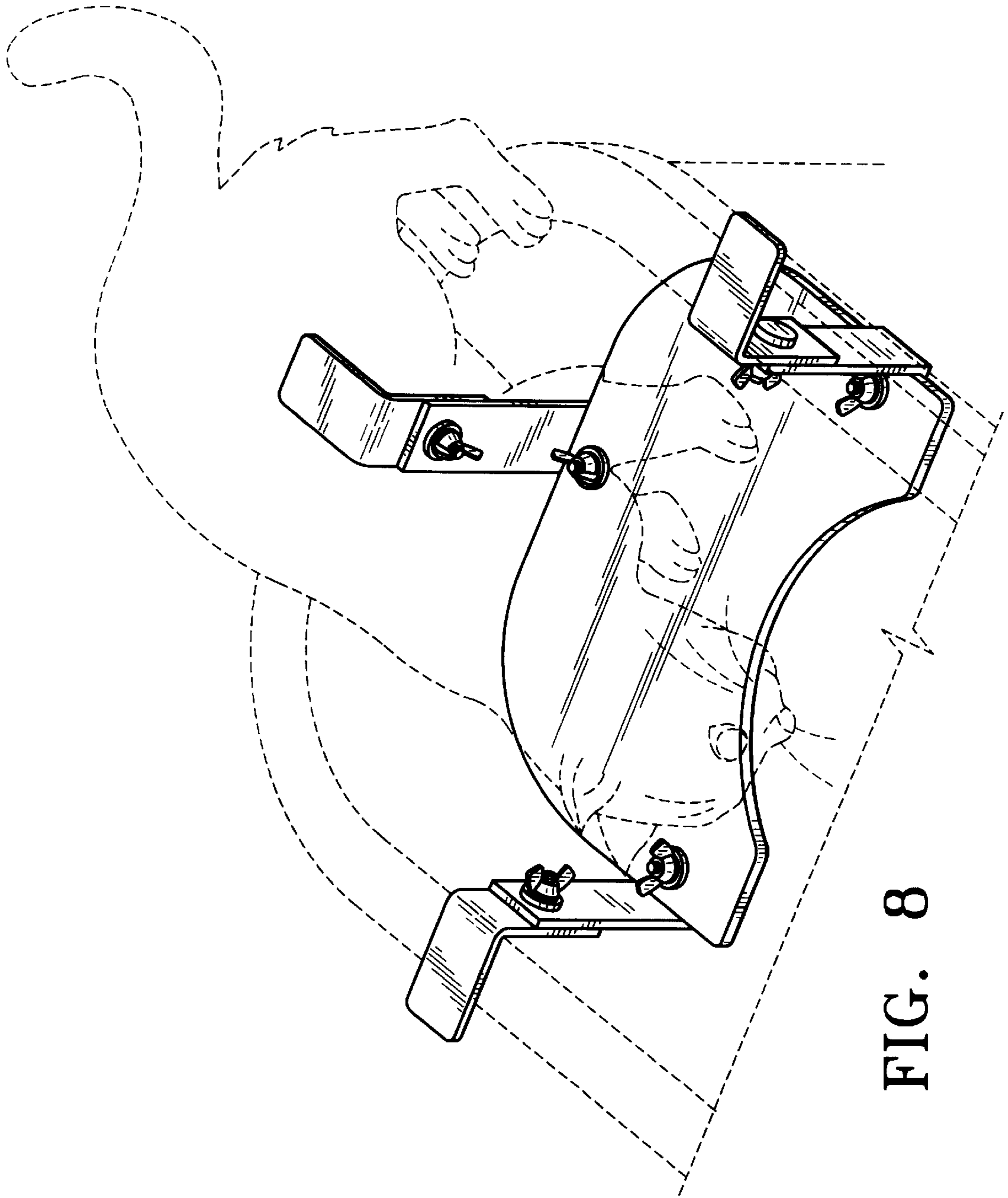


FIG. 8