



US00D423727S

United States Patent [19] Deal, III

[11] **Patent Number: Des. 423,727**
[45] **Date of Patent: ** Apr. 25, 2000**

[54] **PROTECTIVE FACE MASK**
[75] Inventor: **James F. Deal, III**, Fernandina Beach, Fla.
[73] Assignee: **Apex Sports, LLC**, Amelia Island, Fla.
[**] Term: **14 Years**

3,608,089 9/1971 Abbatelli 2/9
4,250,577 2/1981 Smith 2/427
5,206,955 5/1993 Milligan 2/9
5,267,353 12/1993 Milligan 2/9
5,335,371 8/1994 Spessard 2/9
5,737,770 4/1998 Chen 2/9

[21] Appl. No.: **29/081,288**
[22] Filed: **Dec. 29, 1997**

FOREIGN PATENT DOCUMENTS

619535 5/1961 Canada 2/9
621788 6/1961 Canada 2/9

[51] **LOC (6) Cl.** **29-02**
[52] **U.S. Cl.** **D29/108**
[58] **Field of Search** D29/109, 108,
D29/110, 122, 106-107; D24/191; 2/9,
173, 424, 174, 206, 4; 128/857

OTHER PUBLICATIONS

Game Face™ Sports Mask User Instruction Manual, 5 pages, ©1996 by Spessard Group, Inc.

[56] References Cited

Primary Examiner—Ruth McInroy
Attorney, Agent, or Firm—Synnestvedt & Lechner LLP

U.S. PATENT DOCUMENTS

D. 224,282 7/1972 Candela D29/108
D. 237,843 12/1975 Peterson et al. D29/107
D. 238,118 12/1975 Rhee D29/107
D. 238,121 12/1975 Rhee D29/106
D. 238,830 2/1976 Rhee D29/107
D. 243,484 3/1977 Rhee D29/106
D. 288,980 3/1987 Pernicka D29/110
D. 317,063 5/1991 Johnson D29/110
D. 384,441 9/1997 Badger D29/110
1,060,220 4/1913 White .
1,449,183 3/1923 Johnstone .
1,488,812 4/1924 Goodman .
2,535,434 12/1950 Marietta 2/9
2,616,081 11/1952 Weaver et al. 2/425
2,627,602 2/1953 Goldsmith 2/9
3,041,623 7/1962 Glahe 2/9
3,220,014 11/1965 Strohm et al. 2/9
3,373,443 3/1968 Marietta 2/9

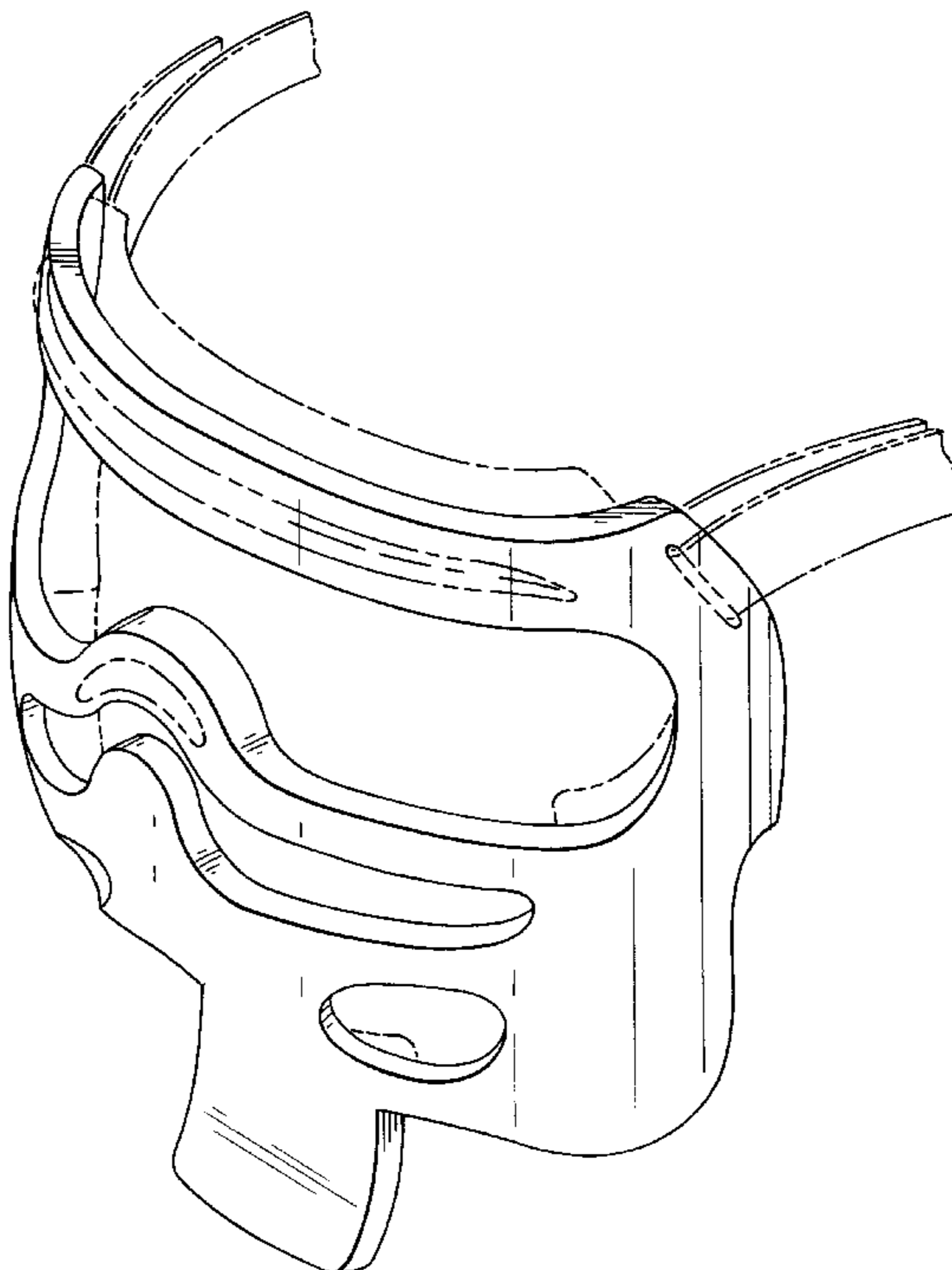
[57] CLAIM

The ornamental design for a protective face mask, as shown and described.

DESCRIPTION

FIG. 1 is a perspective view of a protective face mask showing my new design;
FIG. 2 is a front elevational view thereof;
FIG. 3 is a rear elevational view thereof;
FIG. 4 is a right elevational view thereof, the left side being a mirror image;
FIG. 5 is a top view thereof; and,
FIG. 6 is a bottom plan view thereof.
The cushioning pads, slots for attaching straps, straps for reinforcing ribs on the outer surface of the mask which are shown in broken lines are for illustrative purposes only and form no part of the claimed design.

1 Claim, 4 Drawing Sheets



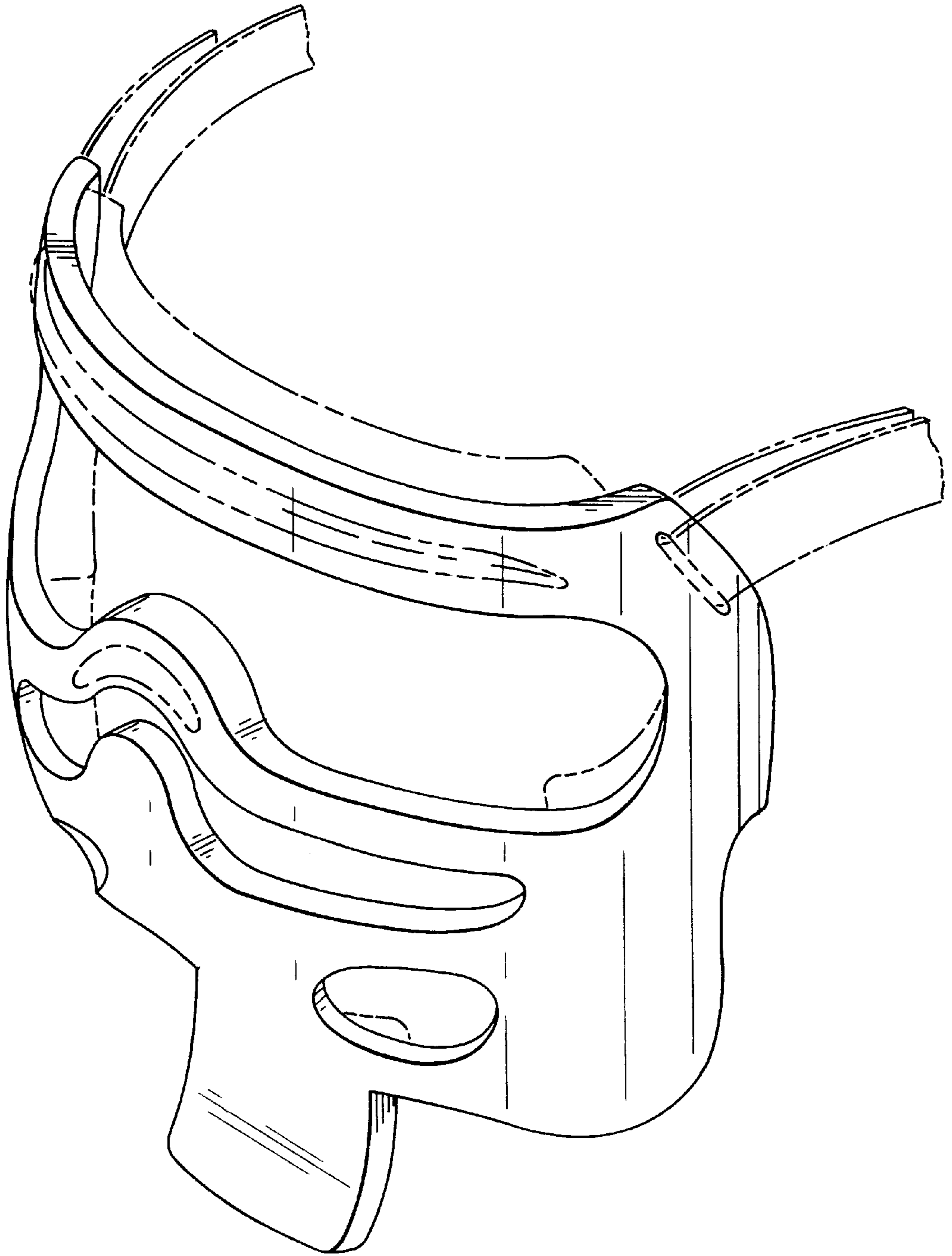


FIG. 1

FIG. 2

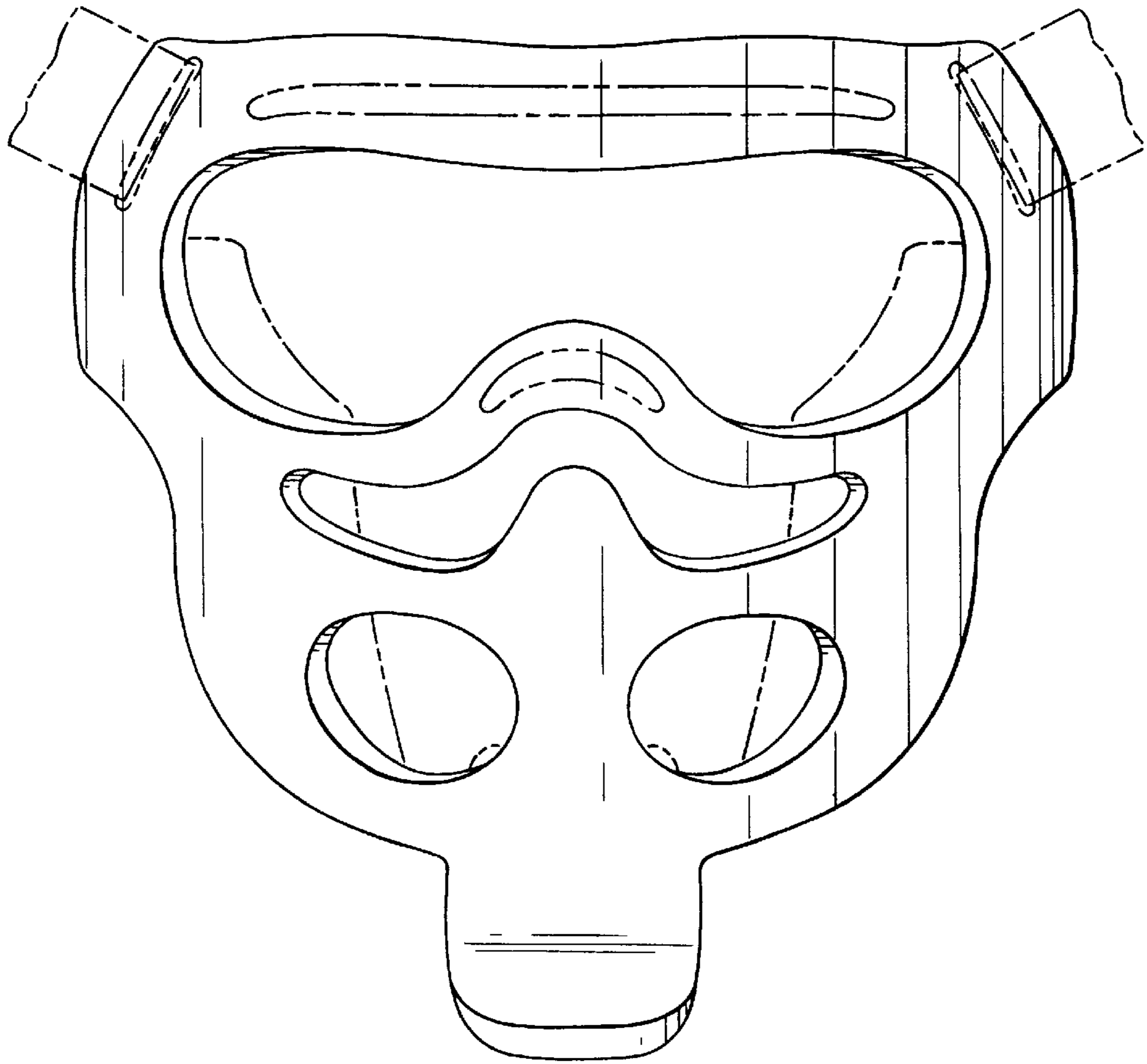


FIG. 5

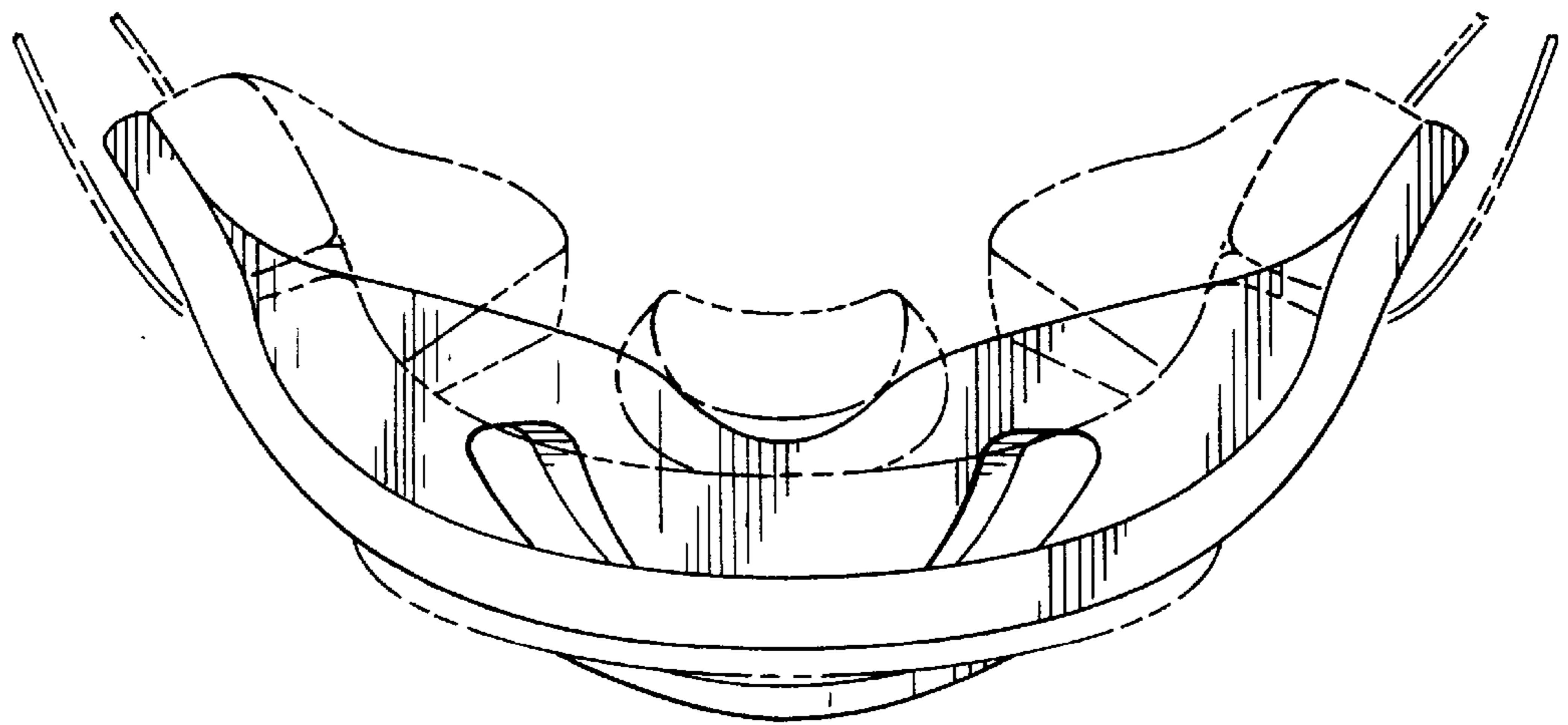


FIG. 3

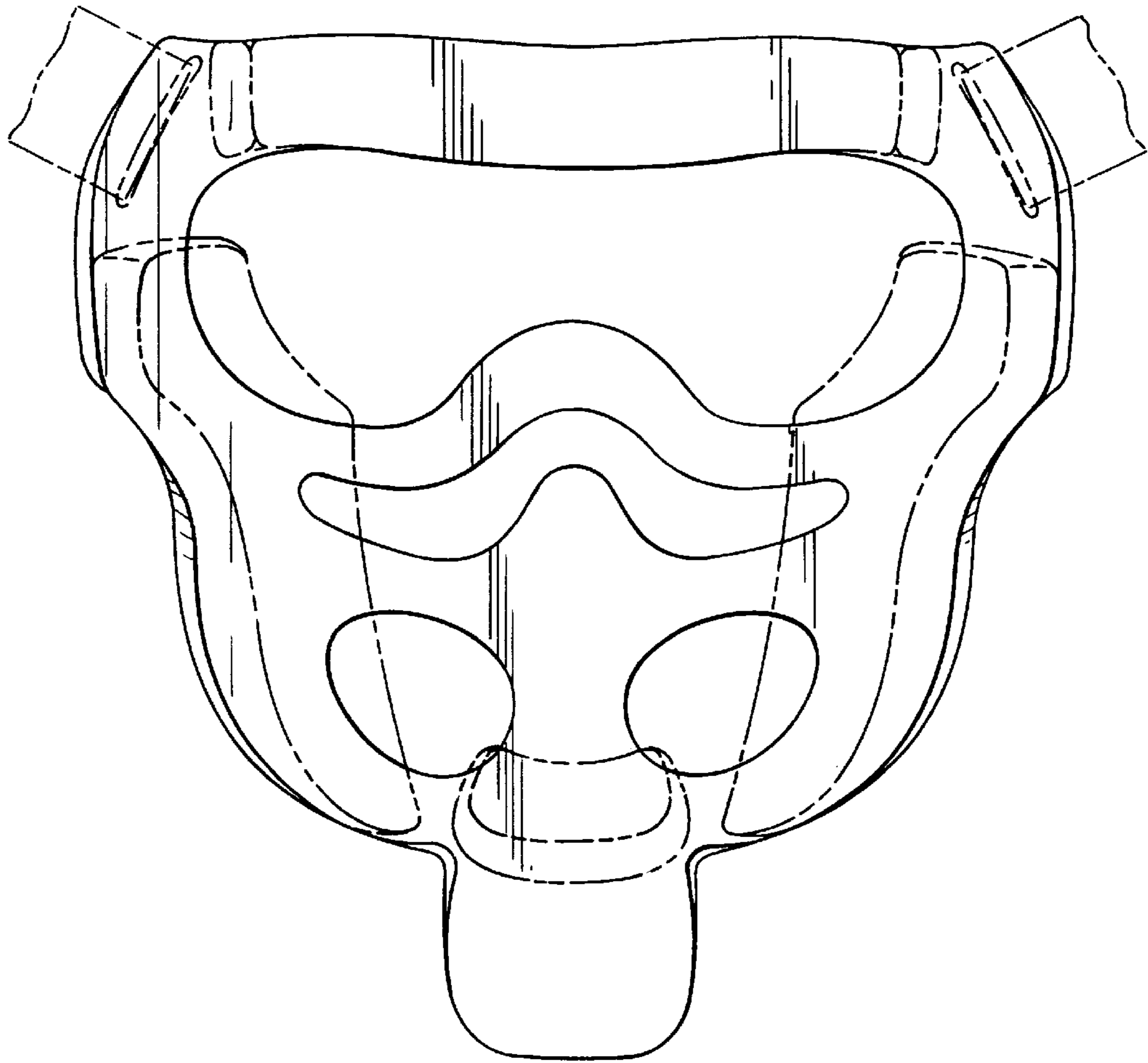


FIG. 6

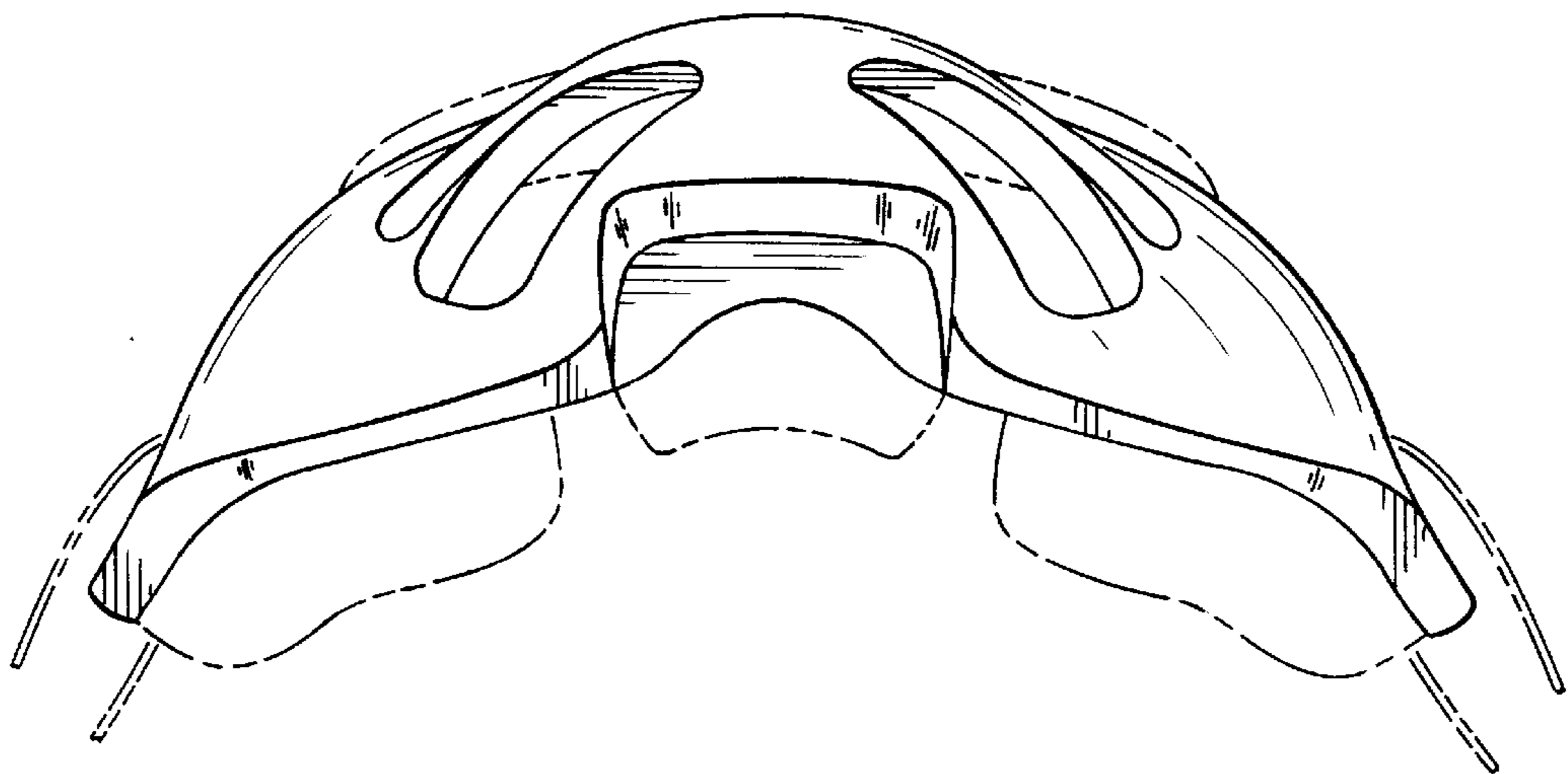


FIG. 4

