



US00D423723S

United States Patent [19] Metcalf

[11] **Patent Number: Des. 423,723**

[45] **Date of Patent: ** Apr. 25, 2000**

[54] **WRIST BAND FOR MOUNTED CONTAINER FOR LIP BALM**

2,421,646 6/1947 Pepin 132/305
2,826,780 3/1958 Dorfman 16/385

[76] Inventor: **James A. Metcalf**, 2627 Melony Dr., Salt Lake City, Utah 84124

[**] Term: **14 Years**

[21] Appl. No.: **29/090,622**

[22] Filed: **Jun. 30, 1998**

[51] **LOC (6) Cl. 28-03**

[52] **U.S. Cl. D28/77; D28/78; D28/82**

[58] **Field of Search** D28/76-78, 82, D28/64.1, 64.2, 64.3; D3/201, 202, 205, 215, 274; D9/307, 337; D10/31; D11/2, 26, 201, 237, 80, 94; 132/286, 294-296, 301, 303-305, 316; 206/235, 581, 823, 216, 37, 38; 220/DIG. 26, 914; 63/1.1, 1.14, 3, 3.2, 15, 19; 224/217-222, 235, 241, 255, 267, 663, 671-673, 678, 679, 163-165

[56] **References Cited**

U.S. PATENT DOCUMENTS

D. 123,249	10/1940	Migliaccio	D28/77
D. 137,166	2/1944	Crane	D28/82
D. 275,900	10/1984	Spector	D28/82
D. 380,393	7/1997	Molas	D10/31
1,352,863	9/1920	Zeitler et al.	224/221
1,486,178	3/1924	Antelmi	224/221
1,573,239	2/1926	Gilliland	220/212
1,712,680	5/1929	Svensson	220/304
1,989,155	1/1935	Rosenberg	132/305
2,073,280	3/1937	Lederer	40/633

FOREIGN PATENT DOCUMENTS

576610	5/1924	France	132/305
585257	2/1925	France	63/2
586825	4/1925	France	224/219
253073	11/1948	Switzerland	224/164

Primary Examiner—Ted Shooman
Assistant Examiner—C Tuttle
Attorney, Agent, or Firm—Madson & Metcalf

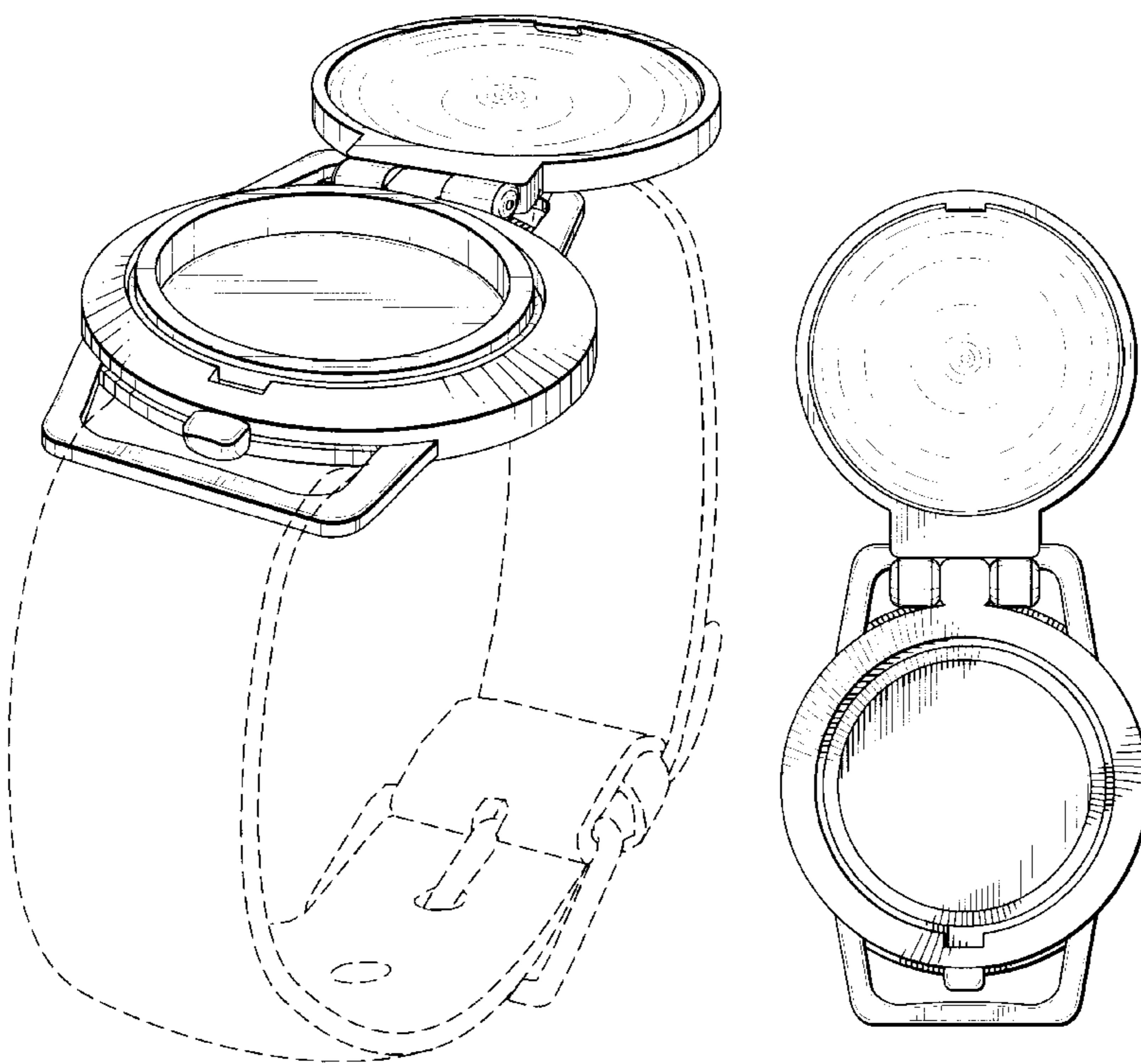
[57] **CLAIM**

The ornamental design for a wrist band mounted container for lip balm, as shown and described.

DESCRIPTION

FIG. 1 is a perspective view of the wrist band mounted container for lip balm, the broken lines showing the wrist band are for illustrative purposes only and form no part of the claimed design;
FIG. 2 is a side elevational view of the wrist band mounted container for lip balm illustrated in FIG. 1 the opposite side being a mirror image thereof;
FIG. 3 is a top plan view of the wrist band mounted container for lip balm illustrated in FIG. 1;
FIG. 4 is a bottom plan view of the wrist band mounted container for lip balm illustrated in FIG. 1;
FIG. 5 is a front elevational view of the wrist band mounted container for lip balm illustrated in FIG. 1; and,
FIG. 6 is a back elevation view of the wrist band mounted container for lip balm illustrated in FIG. 1.

1 Claim, 2 Drawing Sheets



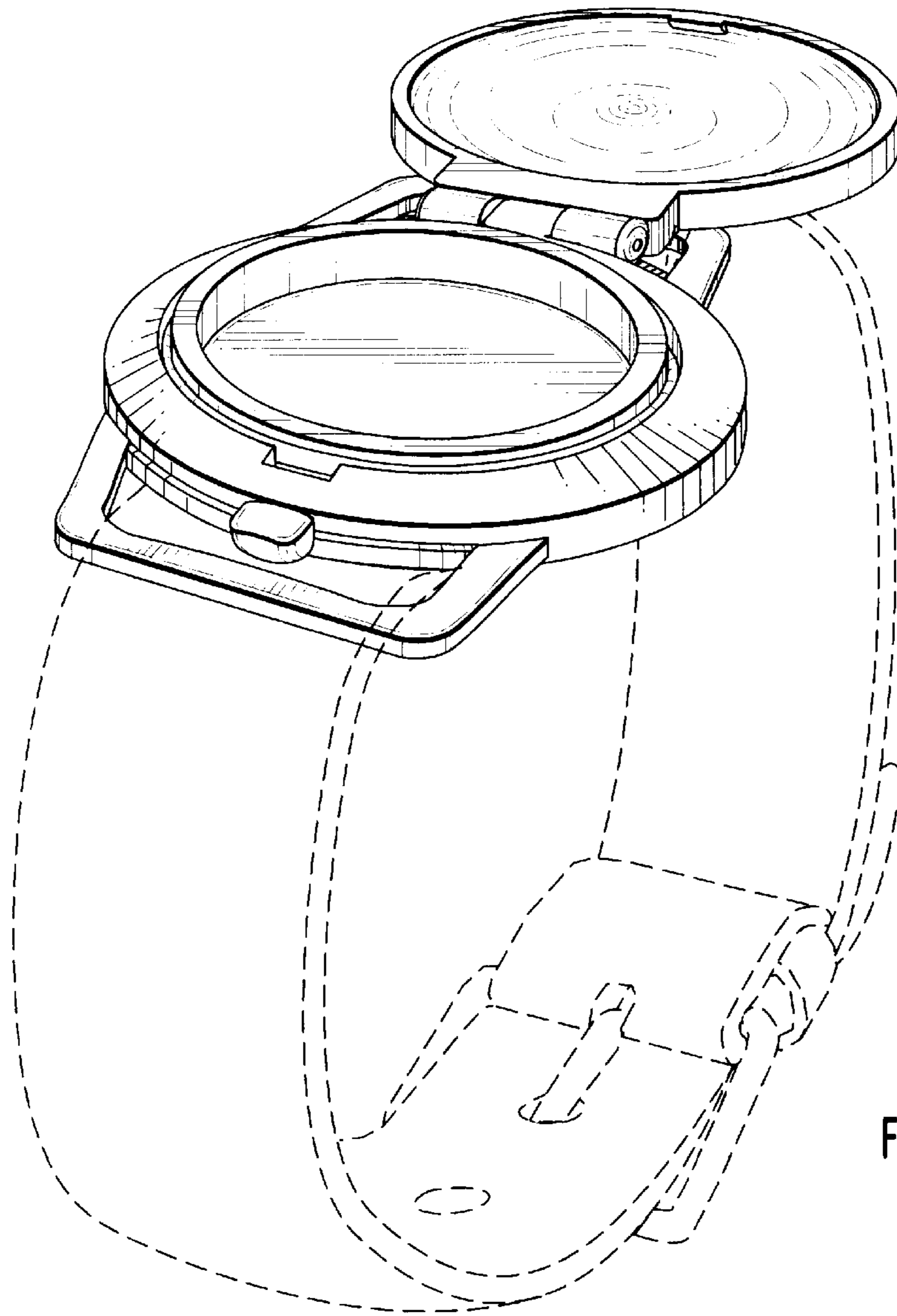


FIG. 1

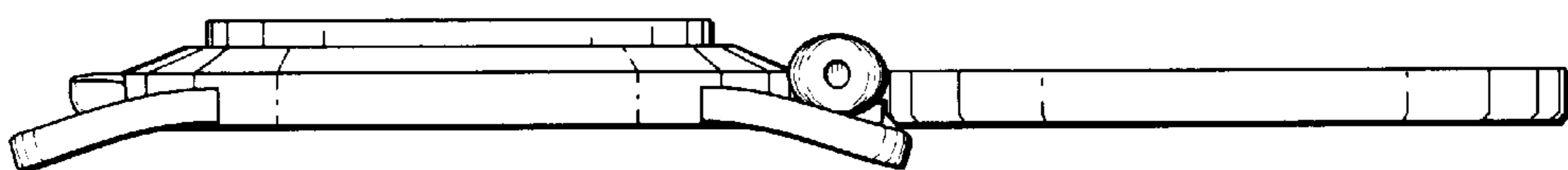


FIG. 2

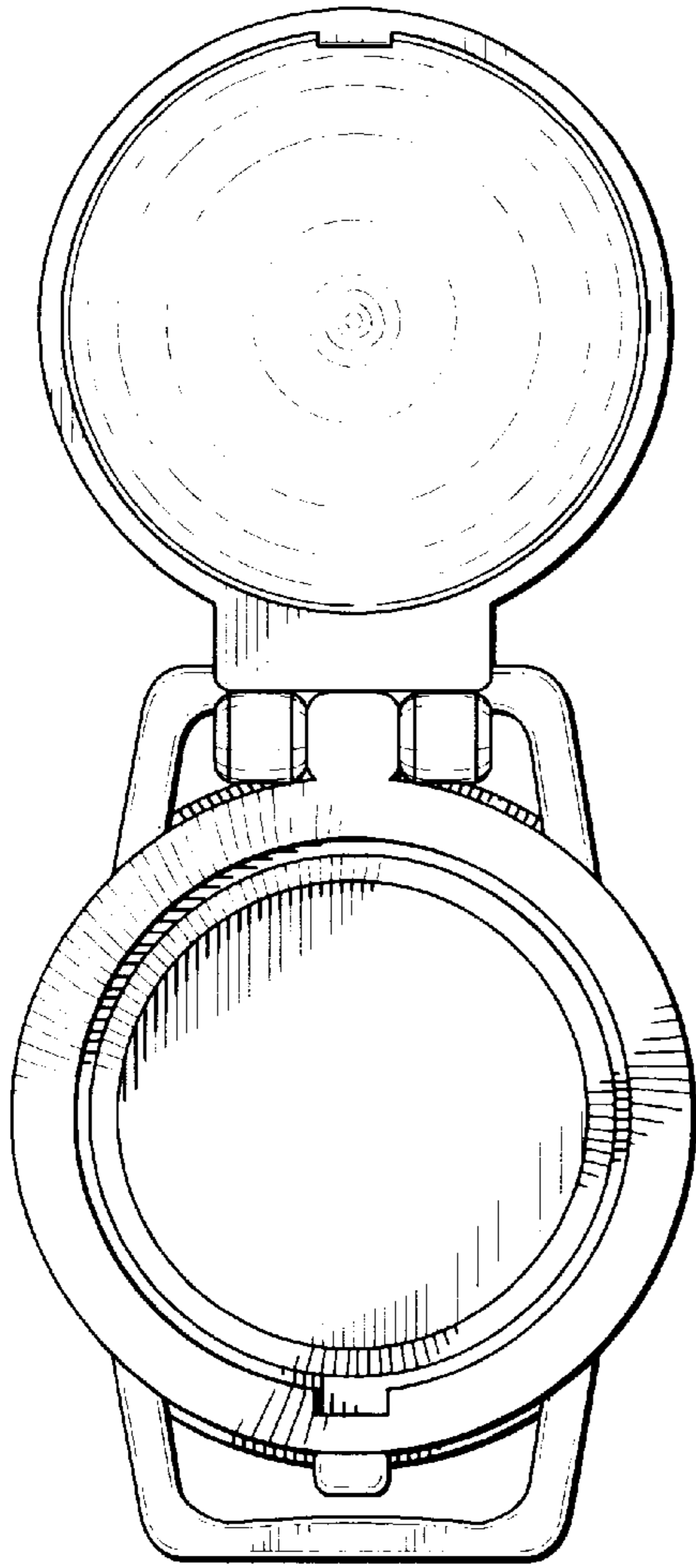


FIG. 3

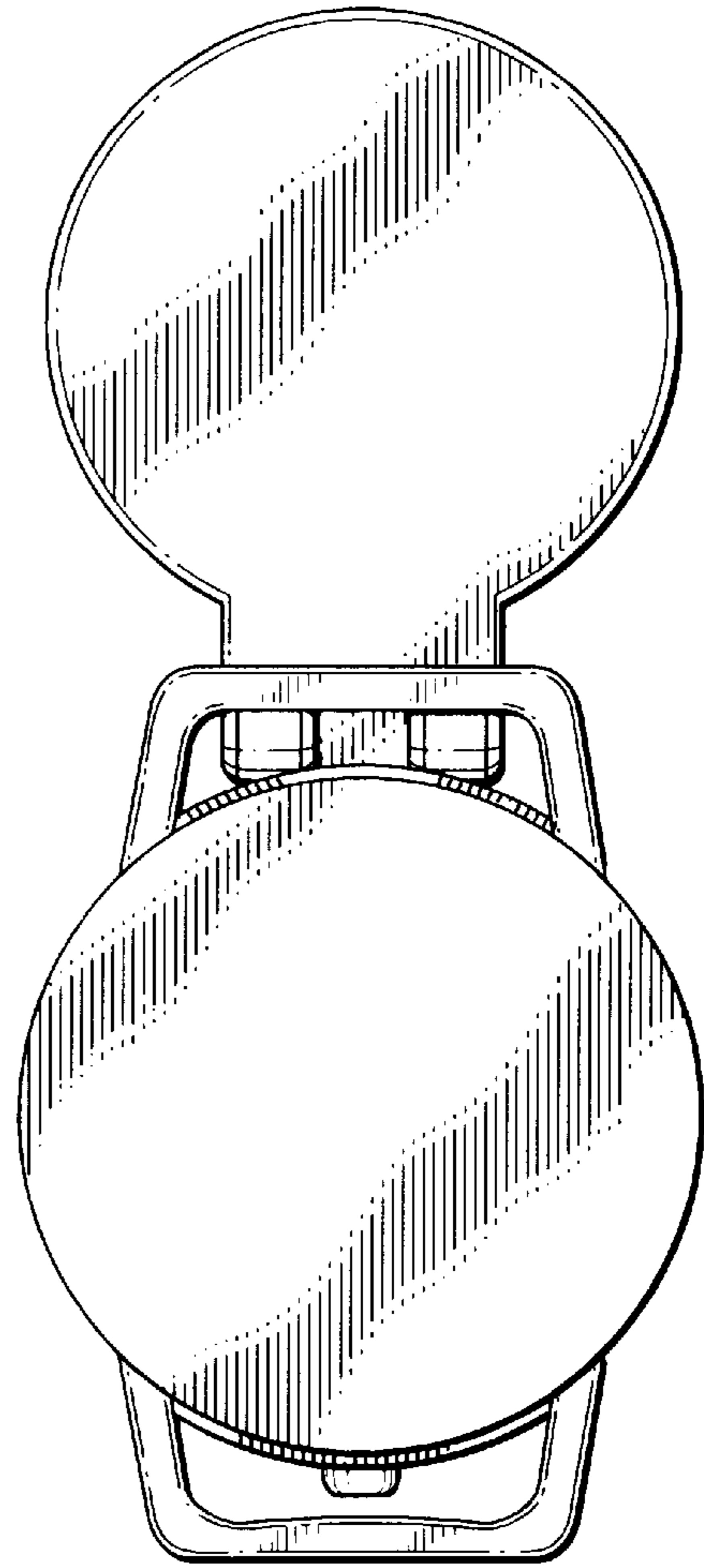


FIG. 4

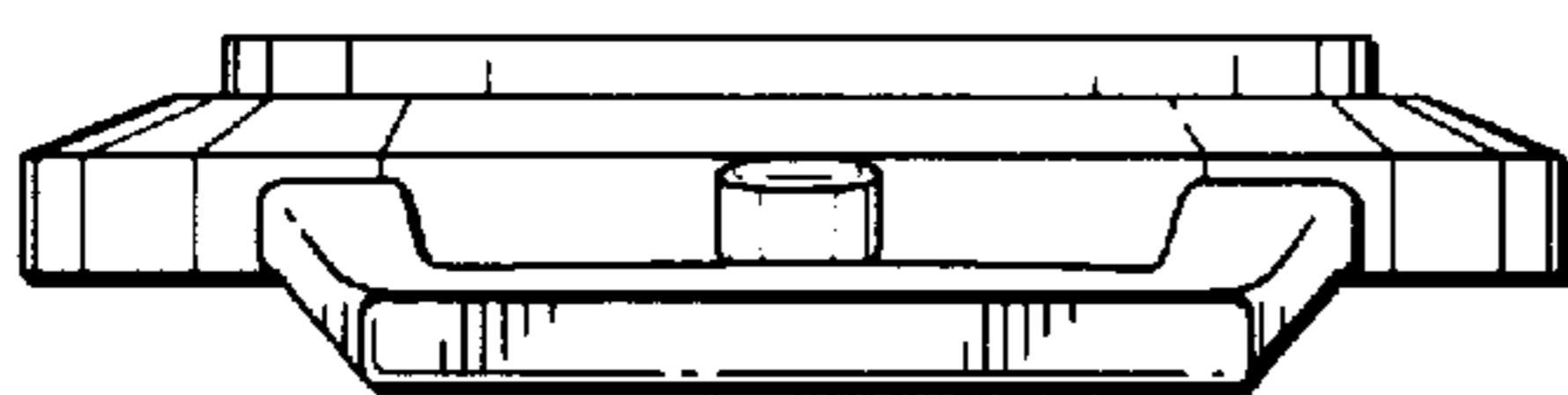


FIG. 5

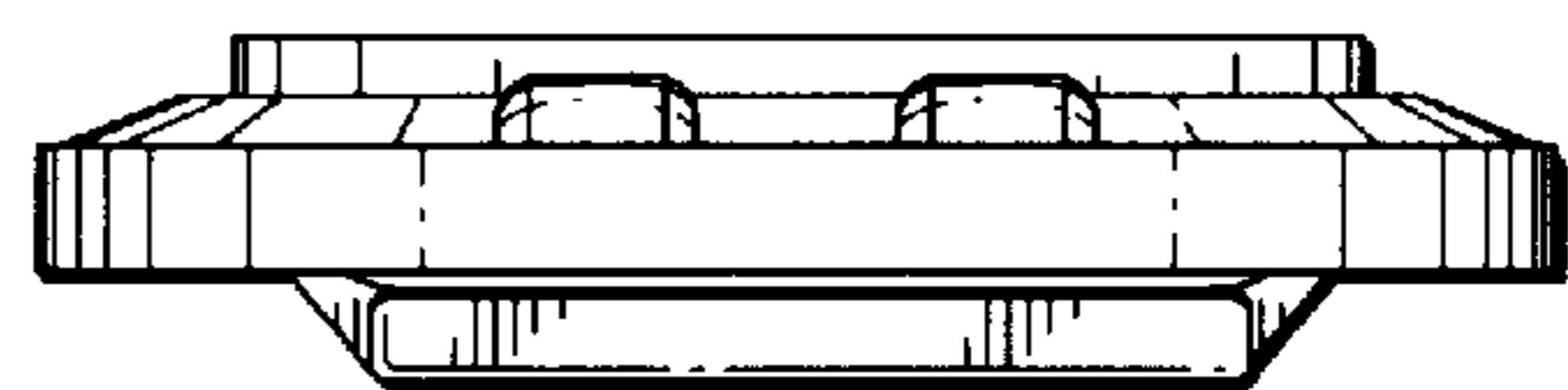


FIG. 6