



US00D423717S

United States Patent [19] Taylor

[11] **Patent Number: Des. 423,717**

[45] **Date of Patent: ** Apr. 25, 2000**

[54] **CURLING IRON HOLDER**

4,103,145 7/1978 Oliveri 219/222

[76] Inventor: **Lillie Taylor**, P.O. Box 682321,
Orlando, Fla. 32868

Primary Examiner—Terry A. Wallace

[**] Term: **14 Years**

[57] **CLAIM**

The ornamental design for a curling iron holder, as shown and described.

[21] Appl. No.: **29/109,664**

[22] Filed: **Aug. 19, 1999**

DESCRIPTION

[51] **LOC (6) Cl.** **28-03**

FIG. 1 is a front elevational view of the curling iron holder of the present invention;

[52] **U.S. Cl.** **D28/38; D28/73**

FIG. 2 is a rear elevational view of the curling iron holder of FIG. 1;

[58] **Field of Search** D28/38, 73; 211/70.6,
211/117.1–117.7; 219/242, 222, 521; 248/314,
316, 317; 132/232, 233, 263

FIG. 3 is a left side elevational view of the curling iron holder of FIG. 1;

FIG. 4 is a right side elevational view of the curling iron holder of FIG. 1;

[56] **References Cited**

U.S. PATENT DOCUMENTS

D. 305,944	2/1990	Mellott	D28/38
D. 329,304	9/1992	Tipp	D28/38
D. 401,016	11/1998	Holliday	D28/73
3,946,196	3/1976	Waters et al.	219/222

FIG. 5 is a top plan view of the curling iron holder of FIG. 1; and,

FIG. 6 is a bottom plan view of the curling iron holder of FIG. 1.

1 Claim, 3 Drawing Sheets

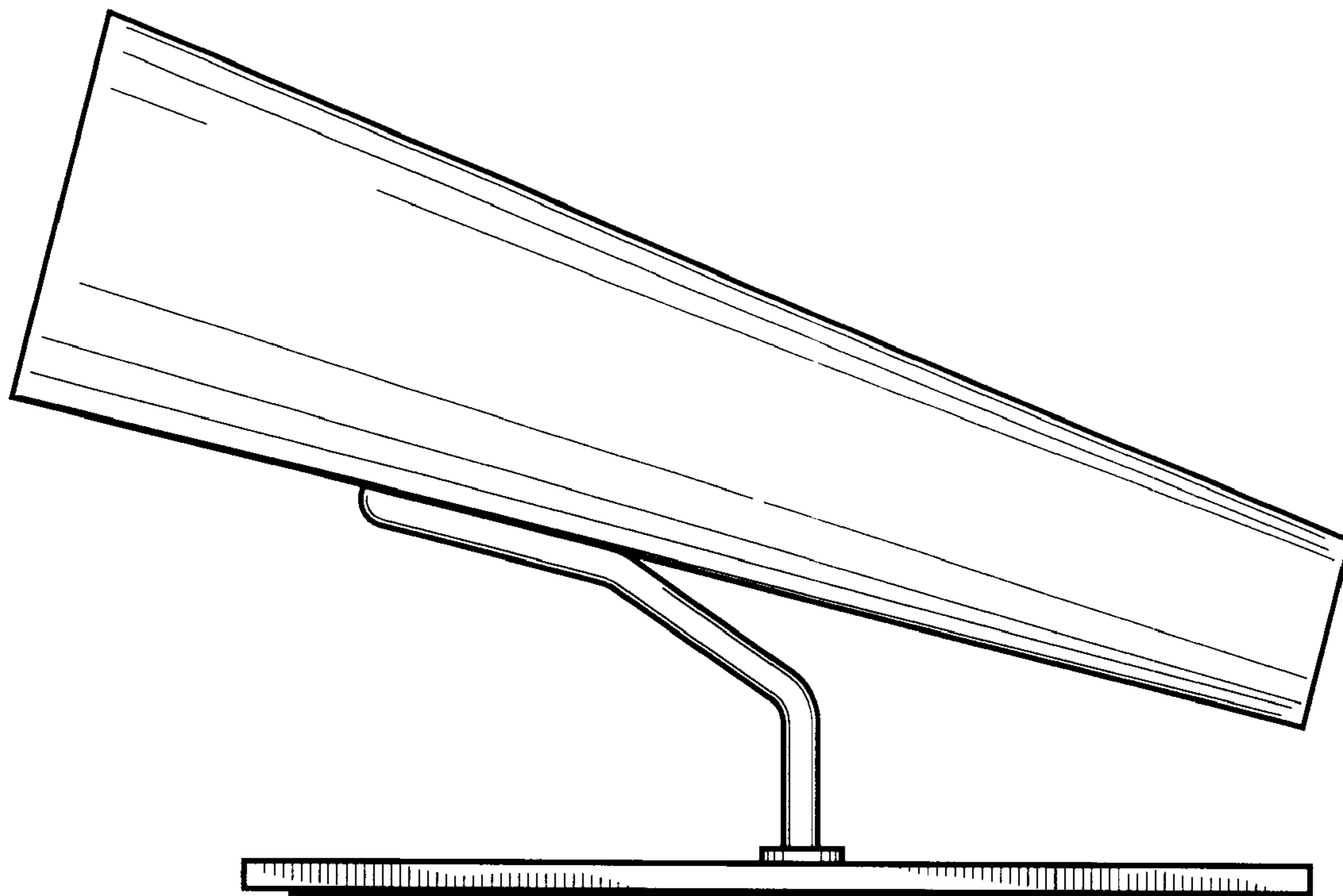


FIG. 1

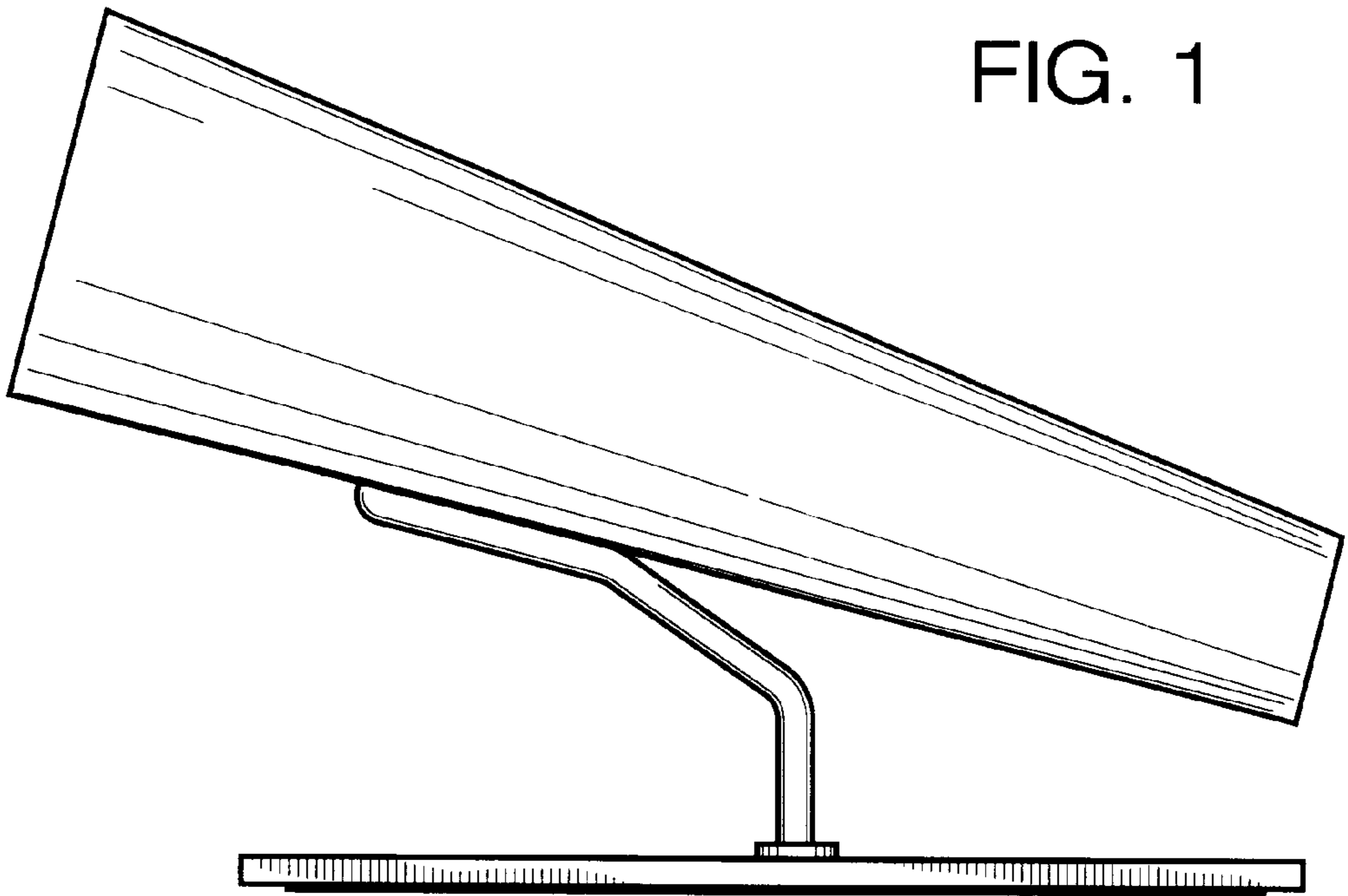


FIG. 2

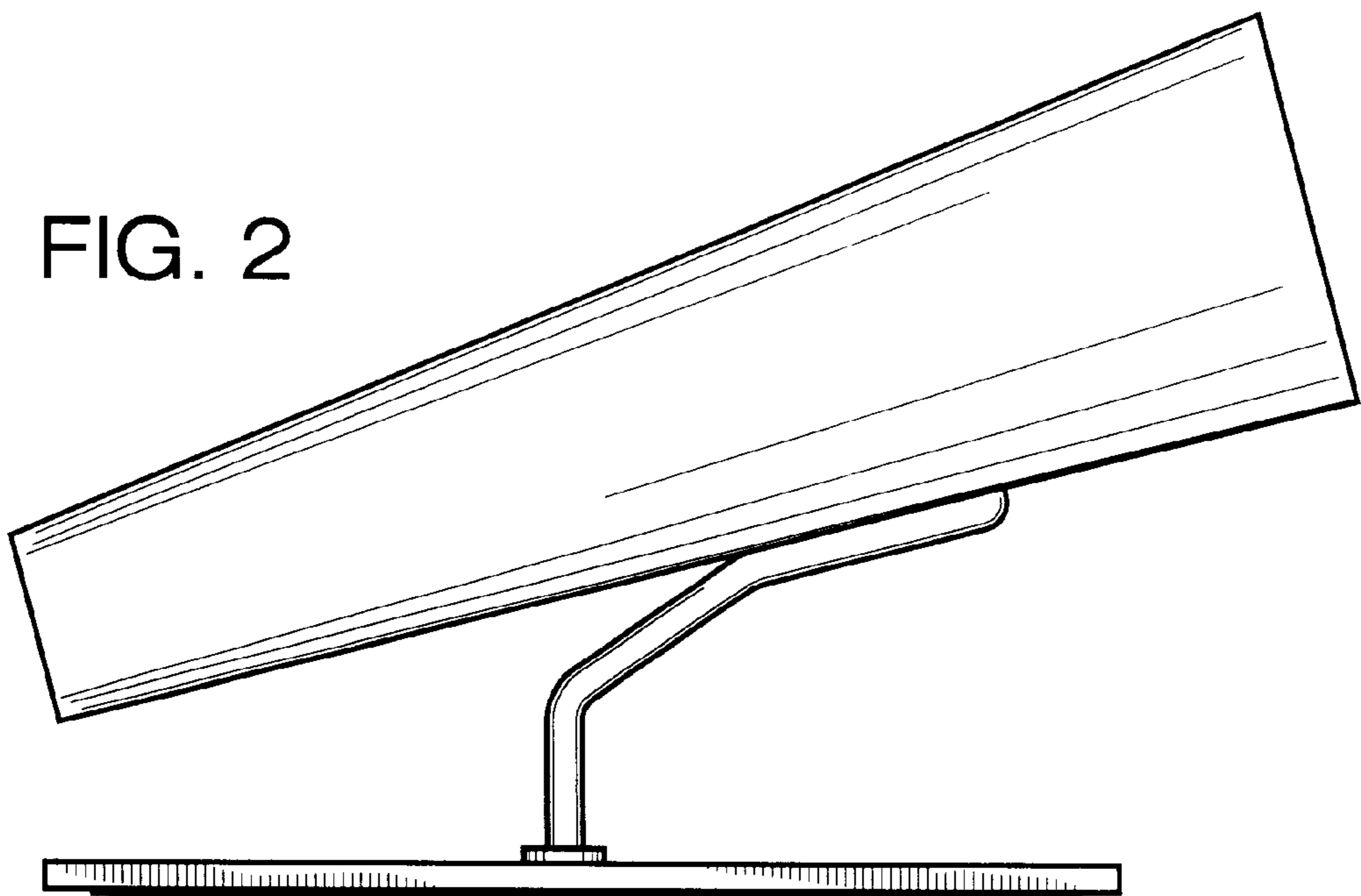


FIG. 3

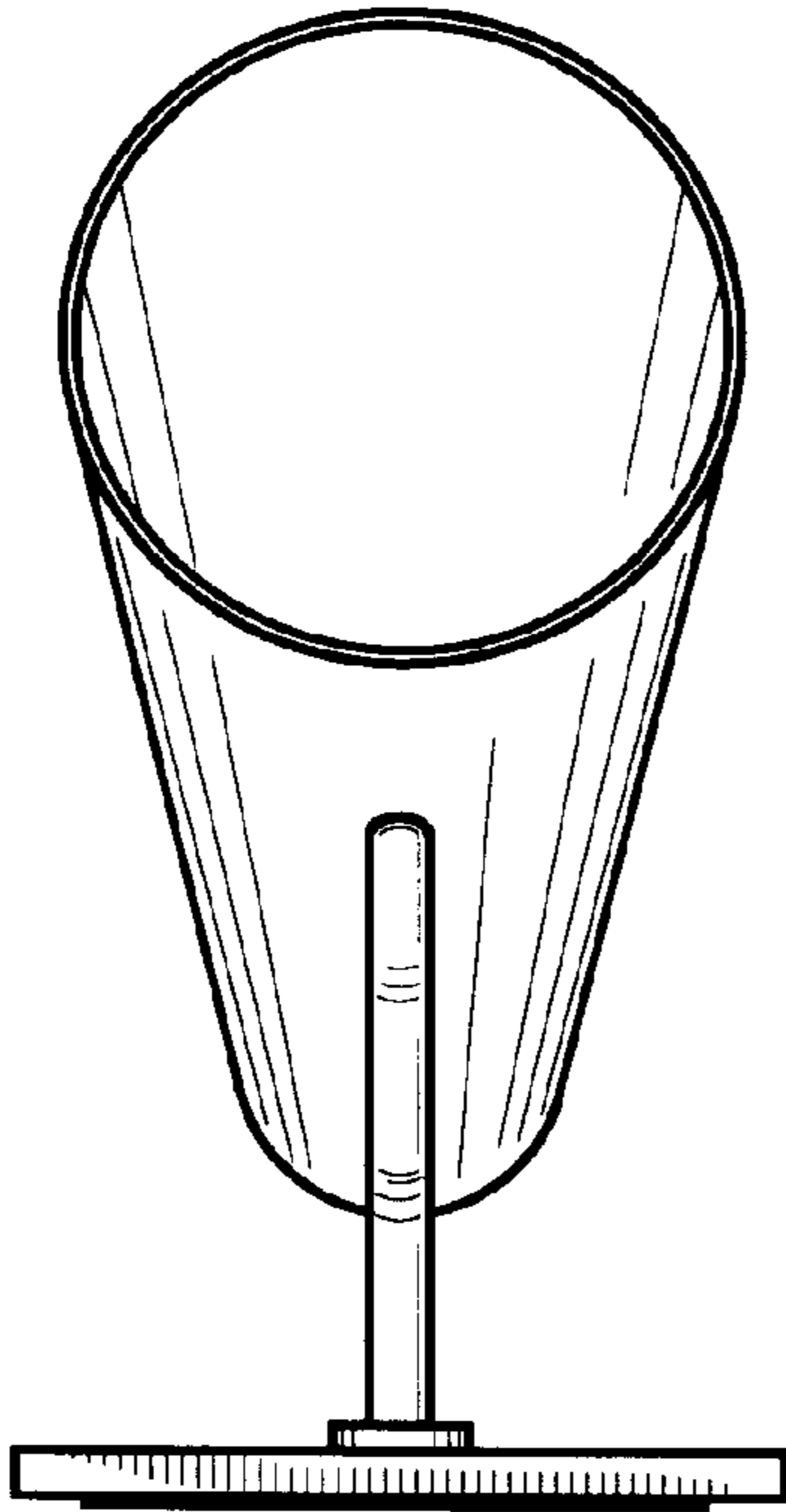


FIG. 4

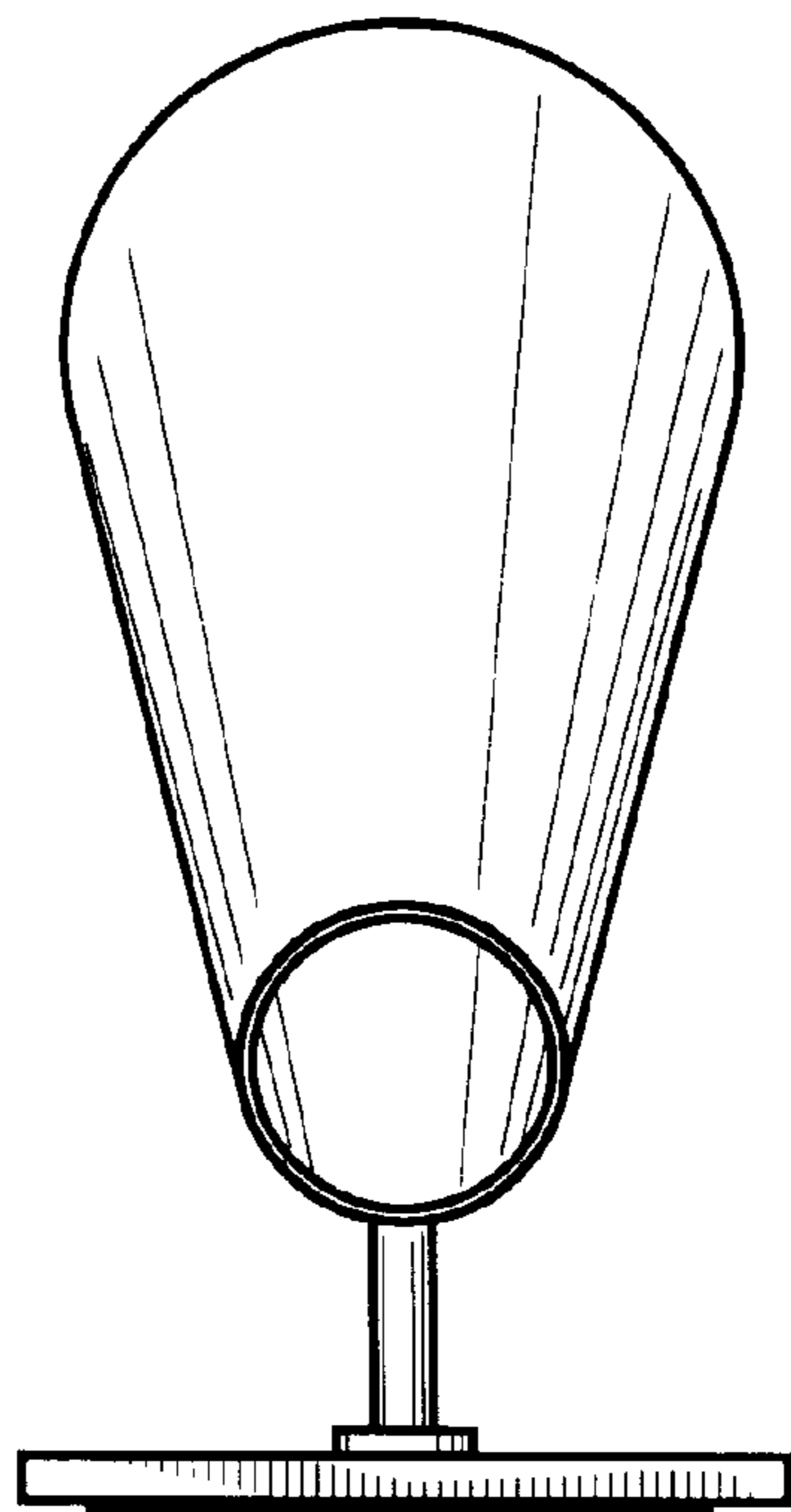


FIG. 5

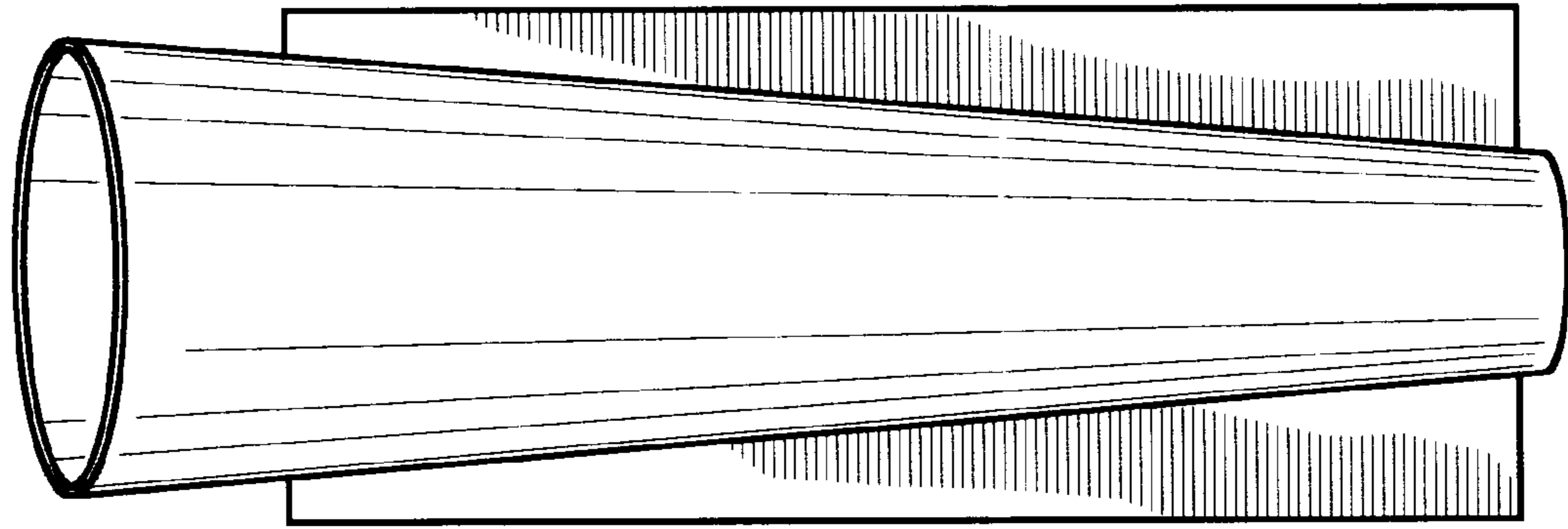


FIG. 6

