



US00D423716S

United States Patent [19] Freeman

[11] Patent Number: **Des. 423,716**

[45] Date of Patent: **** Apr. 25, 2000**

[54] **FISH SOAP**

[75] Inventor: **Faith Freeman**, Huntington Beach, Calif.

[73] Assignee: **In A Lather Inc.**, Garden Grove, Calif.

[**] Term: **14 Years**

[21] Appl. No.: **29/097,638**

[22] Filed: **Dec. 10, 1998**

[51] **LOC (6) Cl.** **28-03**

[52] **U.S. Cl.** **D28/8.2**

[58] **Field of Search** D28/8.1, 8.2; D11/131, D11/134, 158; D19/97; D21/599; D20/30; 40/635, 661, 800; 428/13; 510/137-149, 483

[56] **References Cited**

U.S. PATENT DOCUMENTS

D. 102,165	12/1936	Humphrey	D1/111
D. 122,728	9/1940	Russell	D28/8.2
D. 311,265	10/1990	Mendenhall	D1/111
D. 325,069	3/1992	Gaury	D23/207
683,181	9/1901	Mereness	510/440
1,827,549	10/1931	Villain	510/143
2,917,856	12/1959	Soloff	D11/157 X
4,927,686	5/1990	Colea	428/13
5,869,437	2/1999	Wolfersberger	510/483 X

FOREIGN PATENT DOCUMENTS

3504825 8/1986 Germany .

OTHER PUBLICATIONS

Boy's Life, Sep. 1976, p.41: plastic cast specimens at top of page.

Hong Kong Enterprise Oct. 1997, p. 126: 3rd soap from left in 2nd row from bottom.

Primal Elements Winter/Spring 99 Catalog.

Primary Examiner—Ted Shooman

Assistant Examiner—C. Tuttle

Attorney, Agent, or Firm—Stetina Brunda Garred & Brucker

[57] **CLAIM**

The ornamental design for a fish soap, as shown and described.

DESCRIPTION

FIG. 1 is a front perspective view of the fish soap of the present invention showing my new design;

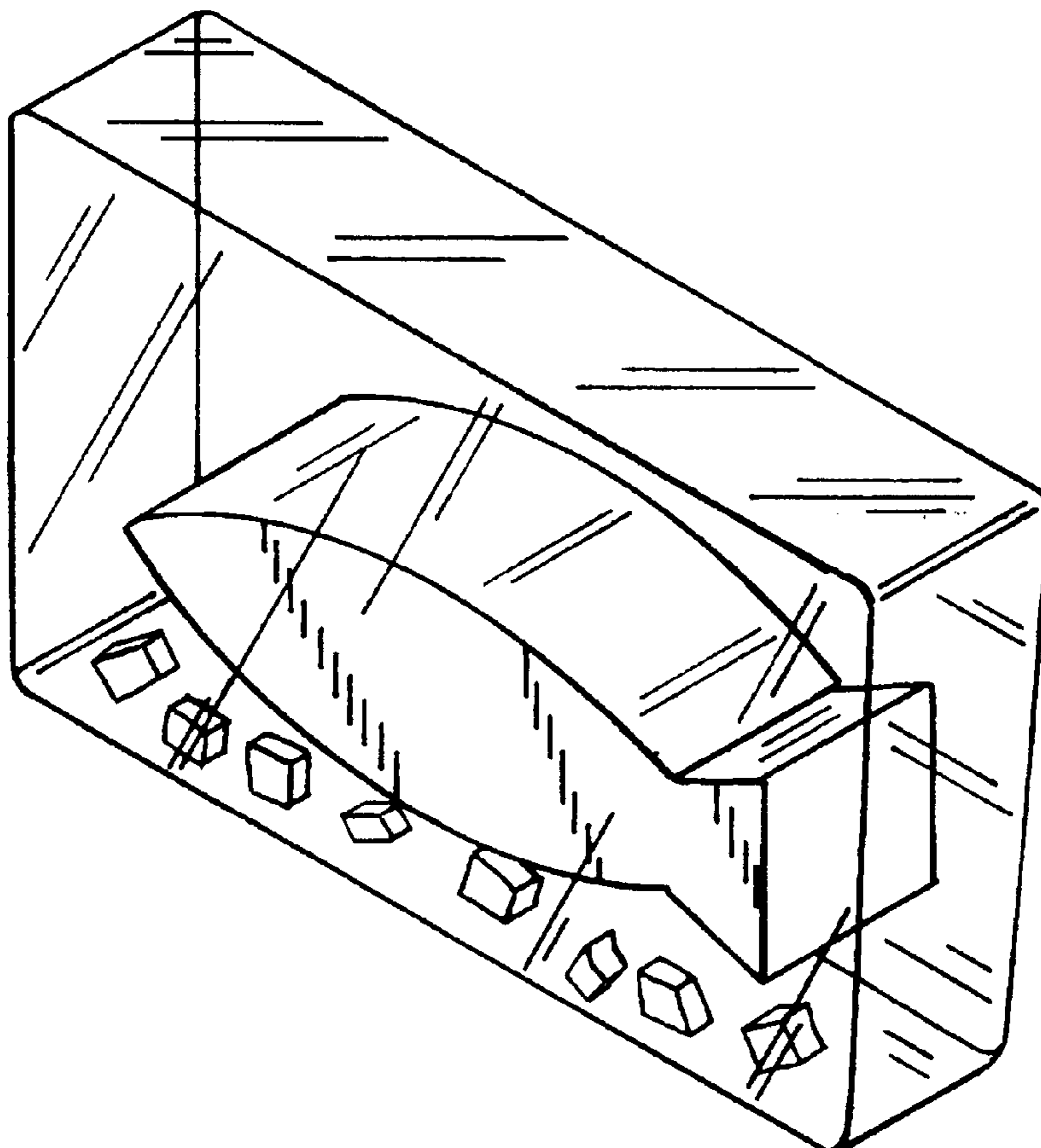
FIG. 2 is a left side elevational view thereof;

FIG. 3 is a front elevational view thereof; and,

FIG. 4 is a right side elevational view thereof.

The surface or portions of the article not shown in the drawing form no part of the claimed design.

1 Claim, 1 Drawing Sheet



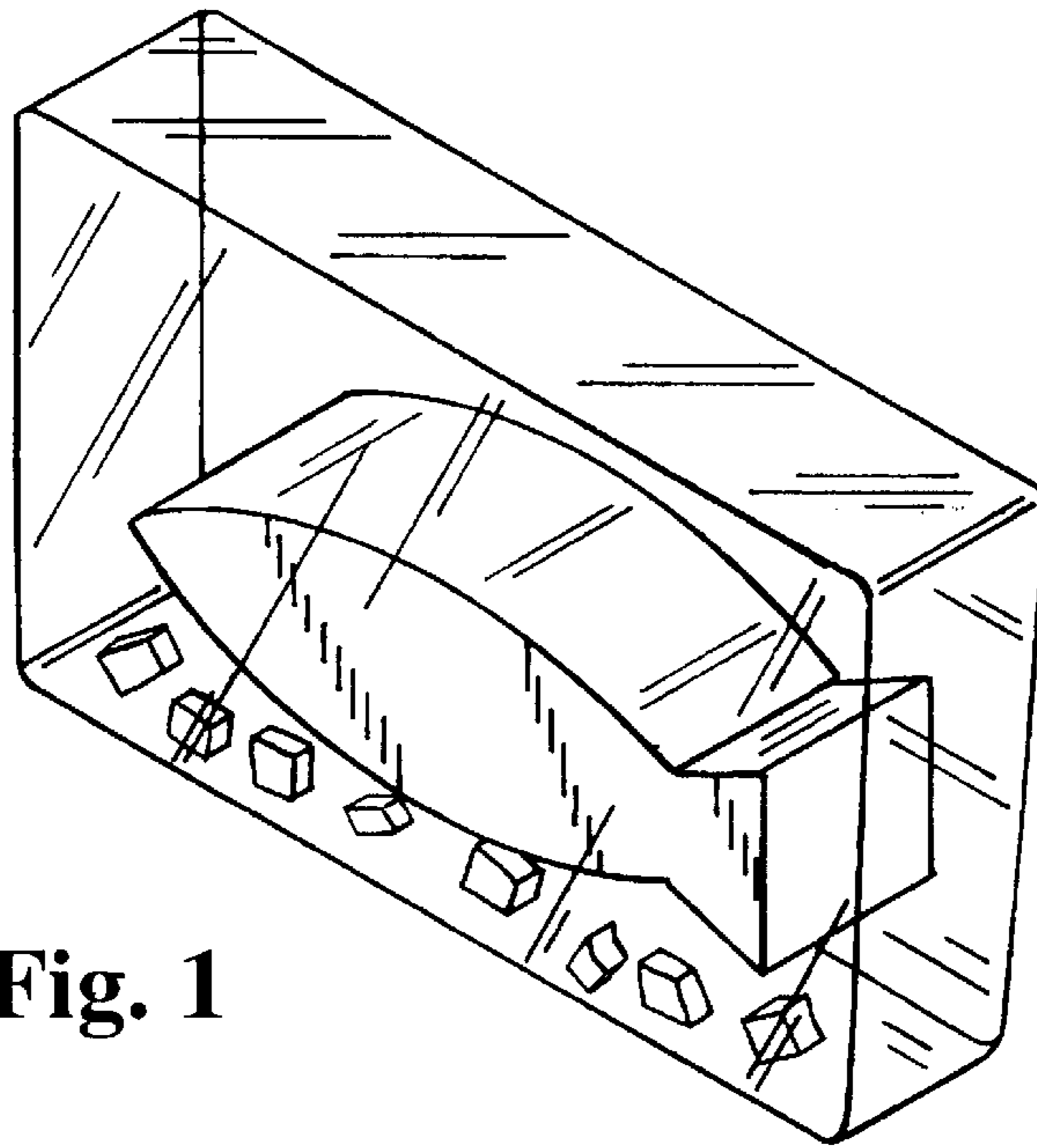


Fig. 1

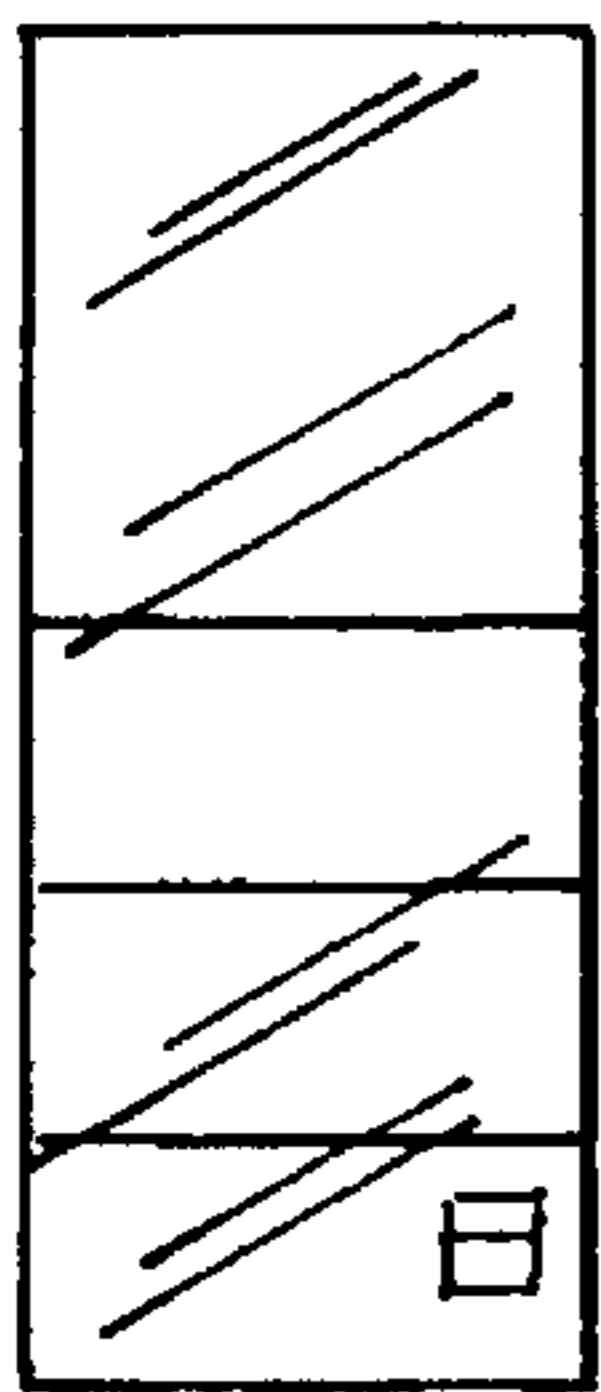


Fig. 2

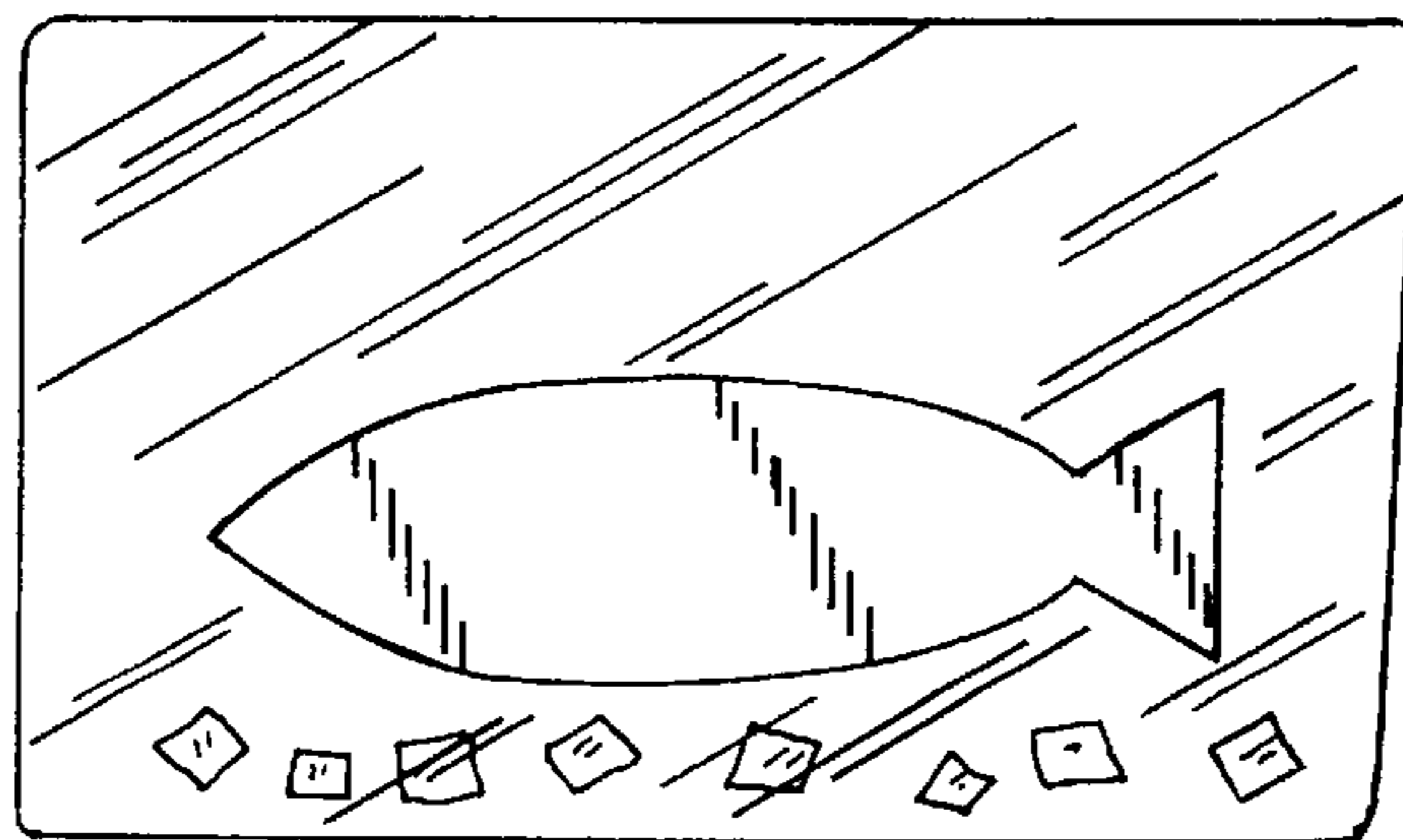


Fig. 3

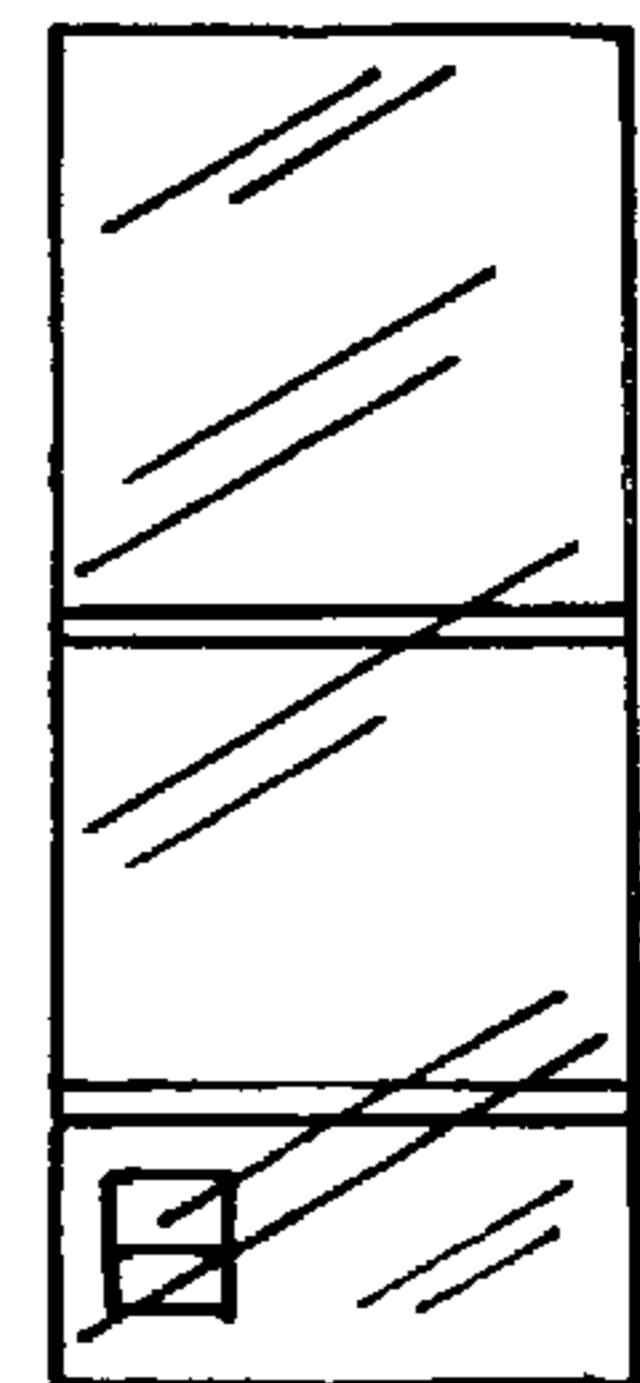


Fig. 4