



US00D423715S

United States Patent [19]
Kleeberg

[11] **Patent Number: Des. 423,715**
[45] **Date of Patent: ** Apr. 25, 2000**

[54] **EXTENDABLE, DISPOSABLE LOTION SELF-APPLICATOR**

5,692,261 12/1997 Lops 15/244.1

[76] Inventor: **Carol M Kleeberg**, P.O. Box 1582
1605 Woodmoor Dr., Monument, Colo.
80132

Primary Examiner—Raphael Barkai

[**] Term: **14 Years**

[57] **CLAIM**

The ornamental design for a extendable, disposable lotion self-applicator, as shown and described.

[21] Appl. No.: **29/109,302**

DESCRIPTION

[22] Filed: **Aug. 12, 1999**

FIG. 1 is a front elevational view of the extendable, disposable lotion self-applicator of the present invention; FIG. 2 is a rear elevational view of the extendable, disposable lotion self-applicator of FIG. 1; FIG. 3 is a left side elevational view of the extendable, disposable lotion self-applicator of FIG. 1; FIG. 4 is a right side elevational view of the extendable, disposable lotion self-applicator of FIG. 1; FIG. 5 is a top plan view of the extendable, disposable lotion self-applicator of FIG. 1; FIG. 6 is a bottom plan view of the extendable, disposable lotion self-applicator of FIG. 1; and, FIG. 7 is a top, front, right side perspective view of the extendable, disposable lotion self-applicator of FIG. 1 in alternate position.

[51] **LOC (6) Cl.** **28-02**

[52] **U.S. Cl.** **D28/7**

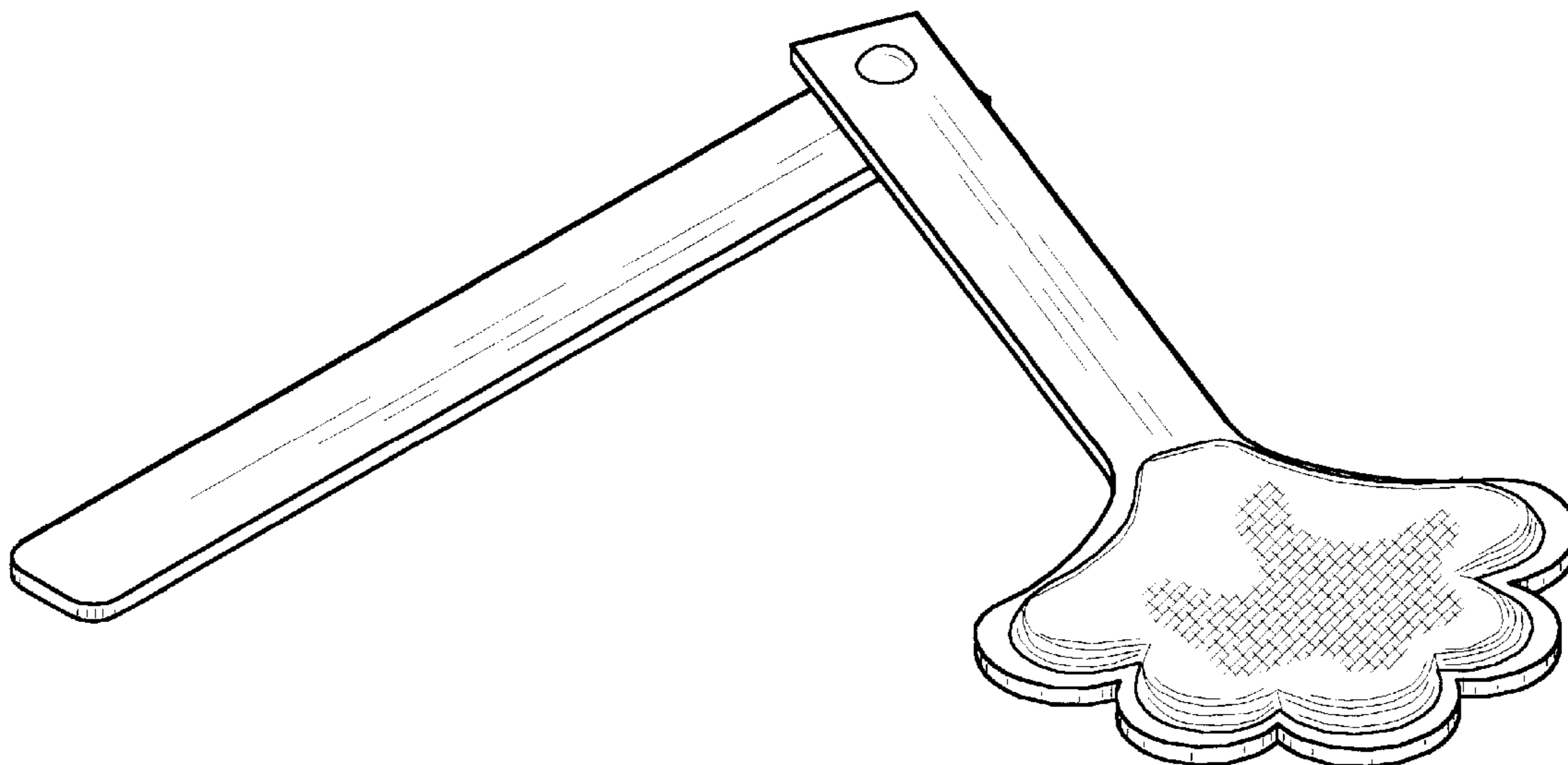
[58] **Field of Search** D28/7, 63; D4/137,
D4/121; D24/119; D32/40; 15/244.1-244.4;
401/6

[56] **References Cited**

U.S. PATENT DOCUMENTS

D. 323,409	1/1992	Giese	D28/7
D. 343,680	1/1994	Salerno	D24/119
D. 351,483	10/1994	Angeletta	D28/7
D. 366,727	1/1996	Possmann	D28/63
D. 380,868	7/1997	Santore	D28/7
5,664,281	9/1997	Pelfrey	15/244.2

1 Claim, 2 Drawing Sheets



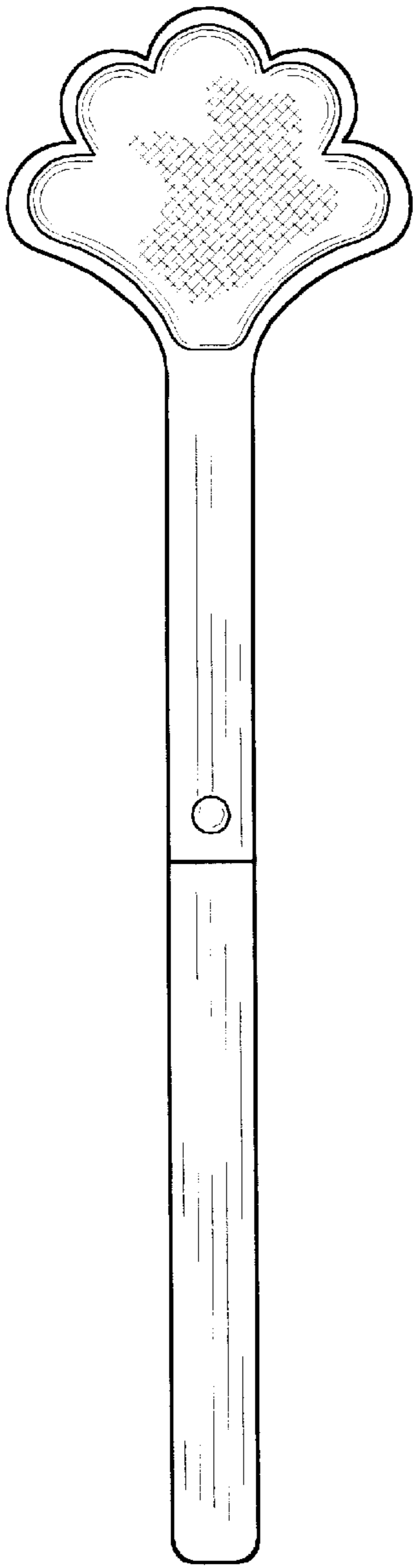


Fig. 1

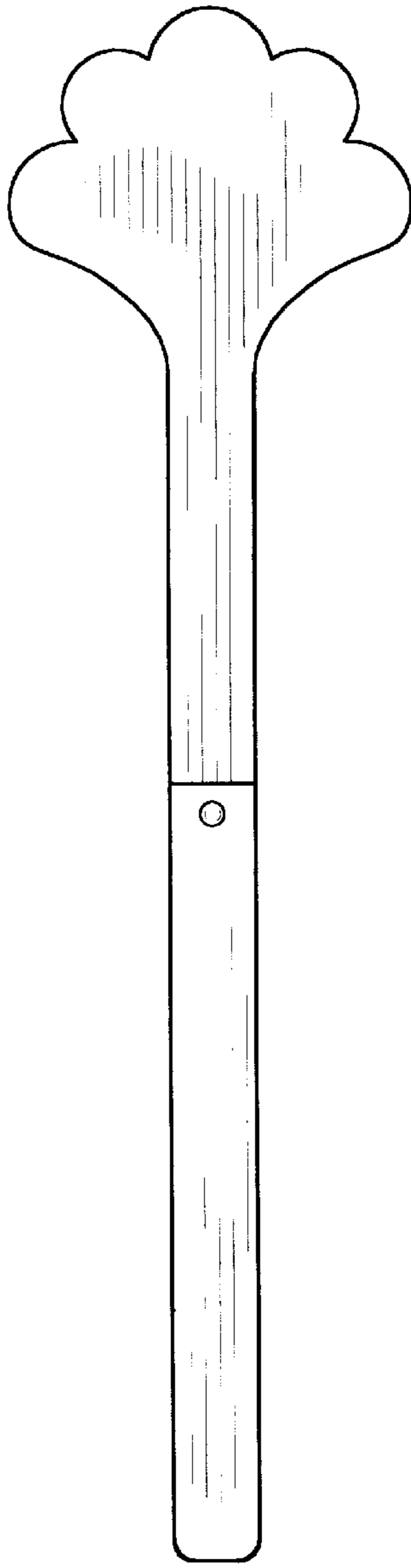


Fig. 2

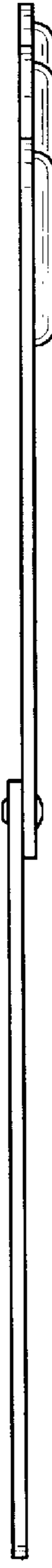


Fig. 3



Fig. 4

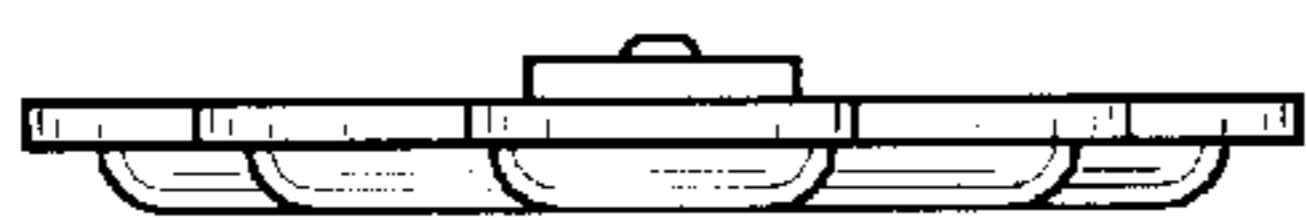


Fig. 5



Fig. 6

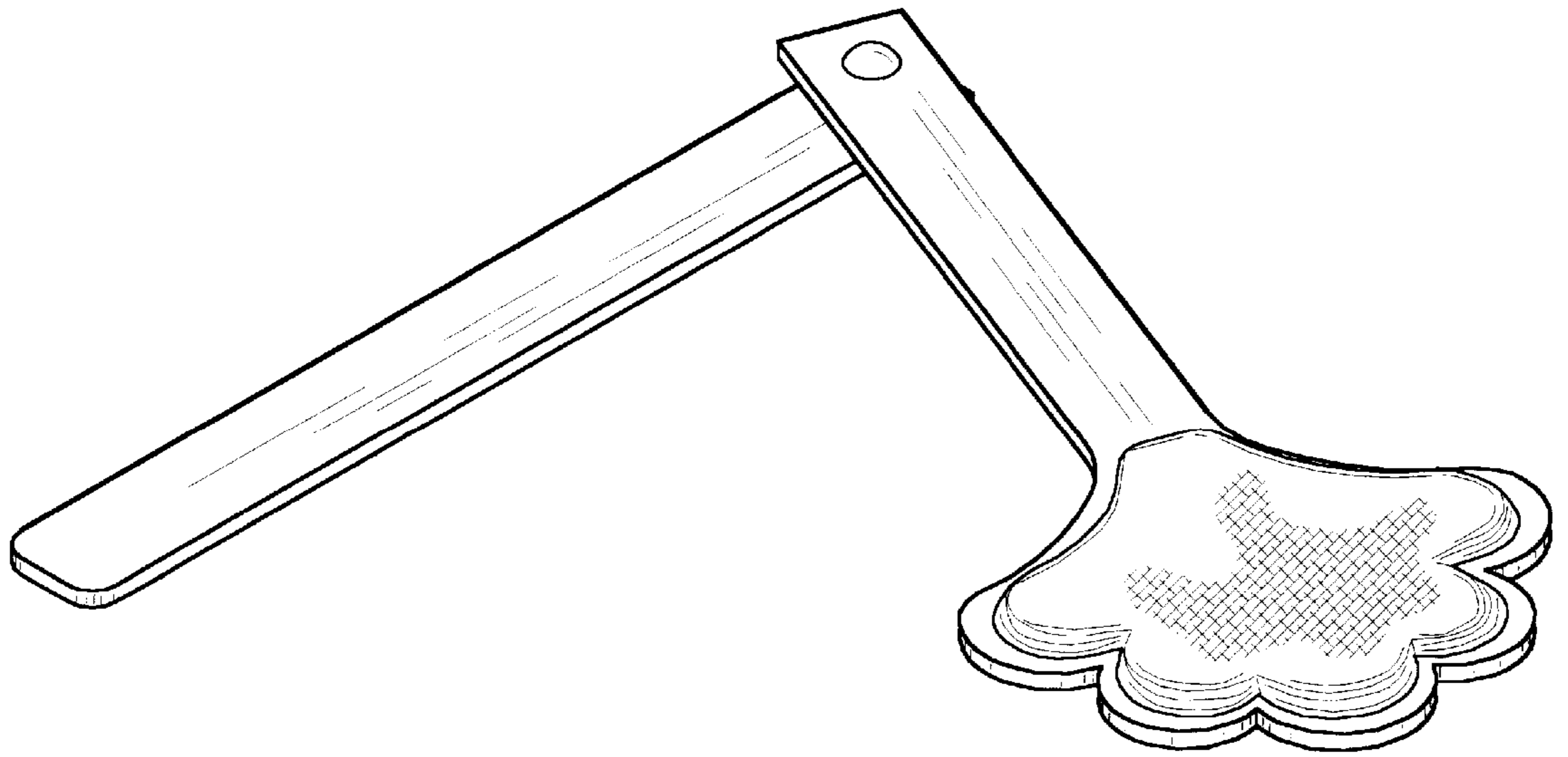


Fig. 7