



US00D423712S

United States Patent [19]

Aoki et al.

[11] Patent Number: Des. 423,712

[45] Date of Patent: ** Apr. 25, 2000

[54] **FACIAL MASQUE SHEET FOR COSMETIC PACK PURPOSE**

[75] Inventors: **Makoto Aoki**, Funabashi; **Keiji Yoshii**, Soka; **Kumiko Tajima**, Hoya; **Koichi Ishida**, Funabashi; **Takuji Kume**, Chiba, all of Japan

[73] Assignee: **Kao Kabushiki Kaisha**, Tokyo, Japan

[**] Term: **14 Years**

[21] Appl. No.: **29/098,333**

[22] Filed: **Dec. 28, 1998**

[30] **Foreign Application Priority Data**

Jul. 3, 1998 [JP] Japan H10-19115

[51] **LOC (6) Cl.** **28-02**

[52] **U.S. Cl.** **D28/4; D29/108**

[58] **Field of Search** D28/4, 7, 8, 9, D28/99; D24/189; D29/108, 109; 132/319, 333; 2/9-13, 15, 174, 206; 602/41-43, 46, 48, 54, 57, 58, 61, 74, 902; 604/303, 304, 307, 289; 606/204.45; 424/402, 443, 445-448

[56] **References Cited**

U.S. PATENT DOCUMENTS

D. 355,489 2/1995 Almond D24/189
D. 388,534 12/1997 Uemura et al. D28/4
2,082,153 6/1937 Dopyera 604/303

2,133,093 10/1938 Greenberger 2/174
2,527,726 10/1950 Hendrix 132/319
3,354,884 11/1967 Rudo 604/303
4,040,127 8/1977 Slovitt et al. 2/174
4,719,909 1/1988 Micchia et al. 128/858
4,748,976 6/1988 Cali 604/289
5,697,100 12/1997 Horowitz et al. 2/9
5,706,828 1/1998 Shiota 128/857
5,869,072 2/1999 Berry 424/402

FOREIGN PATENT DOCUMENTS

0517680 A1 12/1992 European Pat. Off. 2/174
930265 1/1948 France 132/319
1157079 5/1958 France 132/319
3823603 1/1990 Germany 132/333

Primary Examiner—Ted Shooman
Assistant Examiner—C Tuttle

[57] **CLAIM**

The ornamental design for a facial masque sheet for cosmetic pack purpose, as shown and described.

DESCRIPTION

FIG. 1 is a front elevation view, the back view appearing the same;
FIG. 2 is a side view thereof, the other side being a mirror image thereof;
FIG. 3 is a top view thereof;
FIG. 4 is a bottom view thereof; and,
FIG. 5 is a sectional view taken along line 5—5 in FIG. 1.

1 Claim, 1 Drawing Sheet

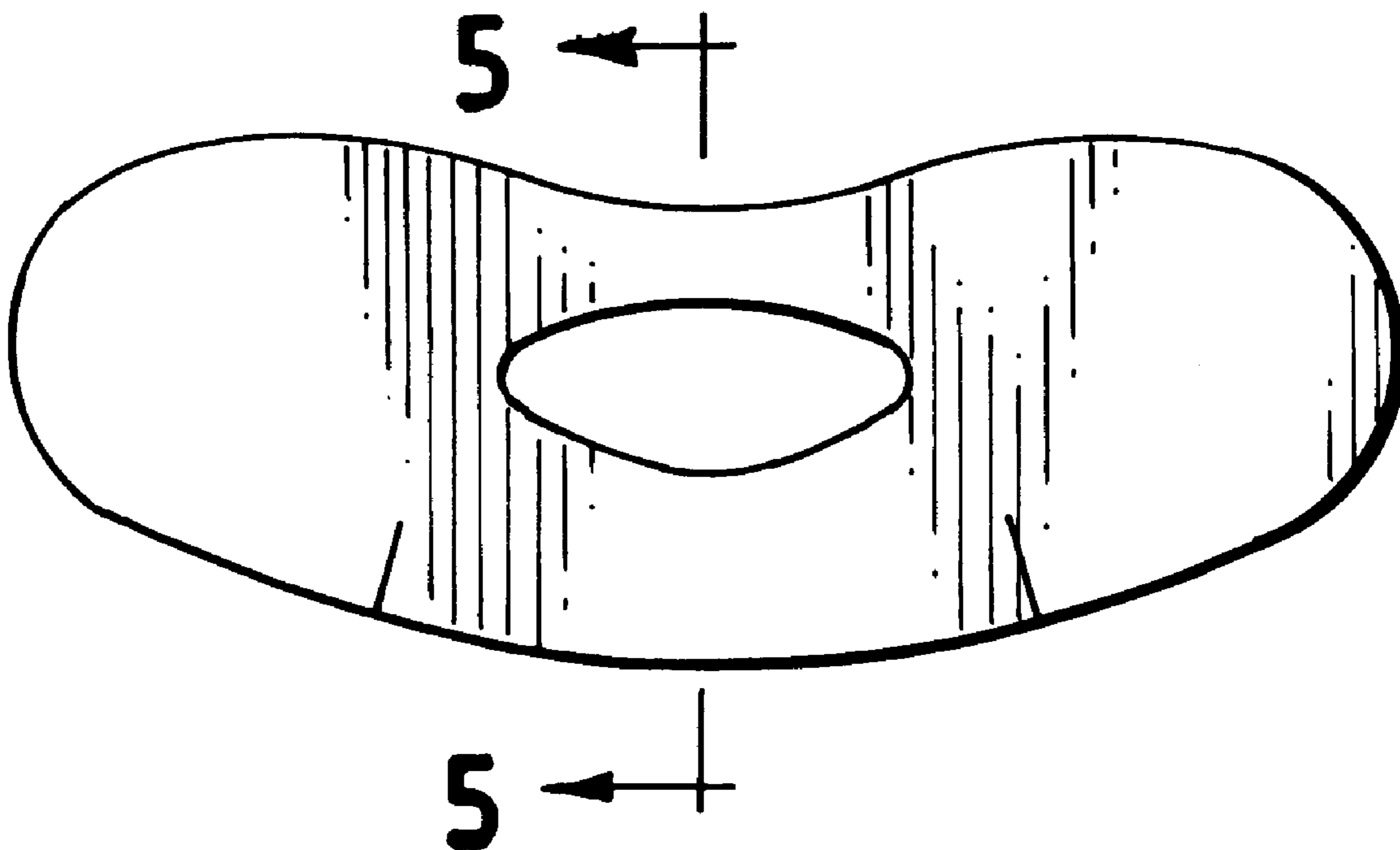


FIG. 1

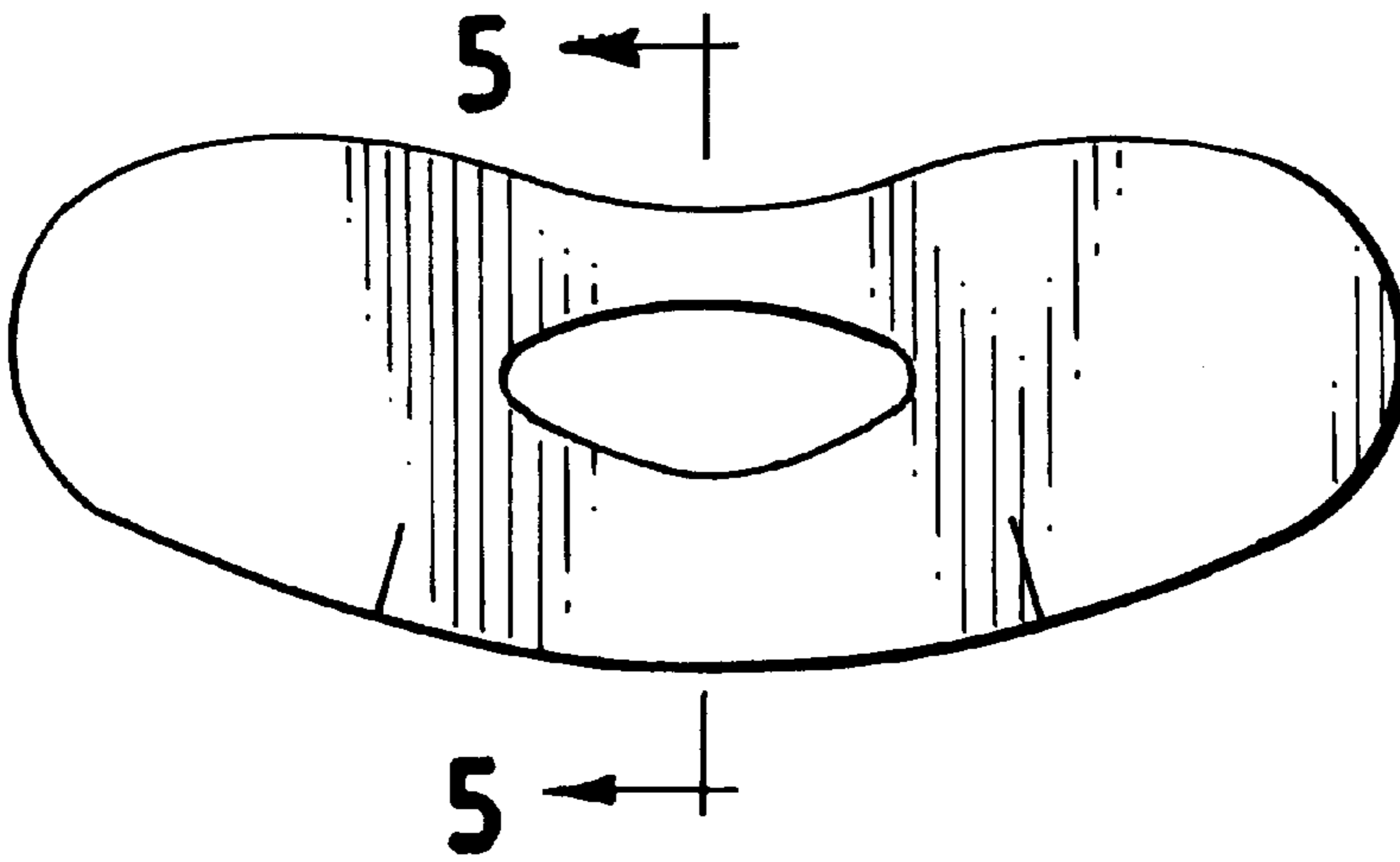


FIG. 2



FIG. 3



FIG. 5



FIG. 4

