



US00D423708S

United States Patent [19]

Giese et al.

[11] Patent Number: Des. 423,708

[45] Date of Patent: ** Apr. 25, 2000

[54] **OUTDOOR LIGHT FIXTURE**

D. 393,090 3/1998 Giese et al. .

[75] Inventors: **Robert D. Giese**, Kenosha; **Kenneth E. Olsen**, Sturtevant, both of Wis.

OTHER PUBLICATIONS

[73] Assignee: **Intermatic Incorporated**, Spring Grove, Ill.

Lighting Catalog, Bright Yin Huey Co., Ltd., 1995.
Landscape Architecture, Jun. 1997, p. 63.
Architectural Grade Landscape Lighting Products catalog, Intermatic, 1993.
Architectural Grade Landscape Lighting Products catalog, Intermatic, May 1995.
Distributor Confidential Price List, Intermatic, Jan. 1, 1996.

[**] Term: **14 Years**

[21] Appl. No.: **29/099,351**

Primary Examiner—Lisa Lichtenstein
Attorney, Agent, or Firm—Brinks Hofer Gilson & Lione

[22] Filed: **Jan. 20, 1999**

[51] **LOC (6) Cl.** **26-05**

[52] **U.S. Cl.** **D26/68**

[58] **Field of Search** D26/67-71; 362/153, 362/153.1, 431

[57] **CLAIM**

The ornamental design for an outdoor light fixture, as shown and described.

[56] **References Cited**

DESCRIPTION

U.S. PATENT DOCUMENTS

- D. 319,891 9/1991 Giese .
- D. 323,567 1/1992 Dension et al. .
- D. 333,529 2/1993 Dension et al. .
- D. 360,961 8/1995 Czerlanis et al. .
- D. 360,962 8/1995 Cornell et al. .
- D. 360,963 8/1995 Czerlanis et al. .
- D. 360,964 8/1995 Cullen et al. .
- D. 360,965 8/1995 Cullen et al. .
- D. 366,713 1/1996 Cornell et al. .
- D. 382,308 8/1997 Cornell et al. .
- D. 390,681 2/1998 Denison et al. .
- D. 392,763 3/1998 Denison et al. .

FIG. 1 is a perspective view of an outdoor light fixture showing our new design;
FIG. 2 is a rear view thereof;
FIG. 3 is a side view thereof, the opposite side being a mirror image of that shown;
FIG. 4 is a front view thereof;
FIG. 5 is a top view thereof; and,
FIG. 6 is a bottom view thereof.
The broken line showing of environmental structure in FIGS. 1-4 is for illustrative purposes only and forms no part of the claimed design.

1 Claim, 2 Drawing Sheets

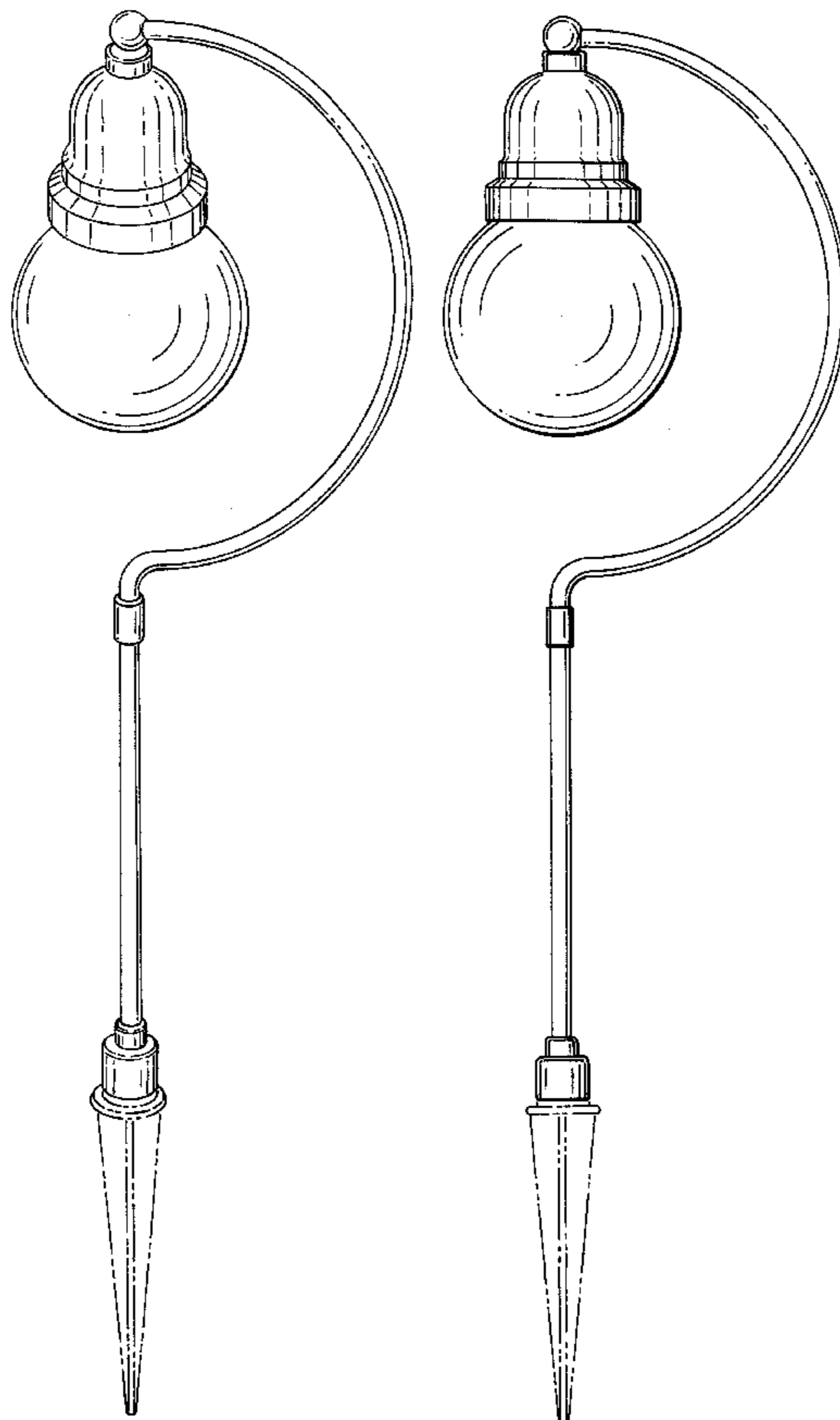


FIG. 1

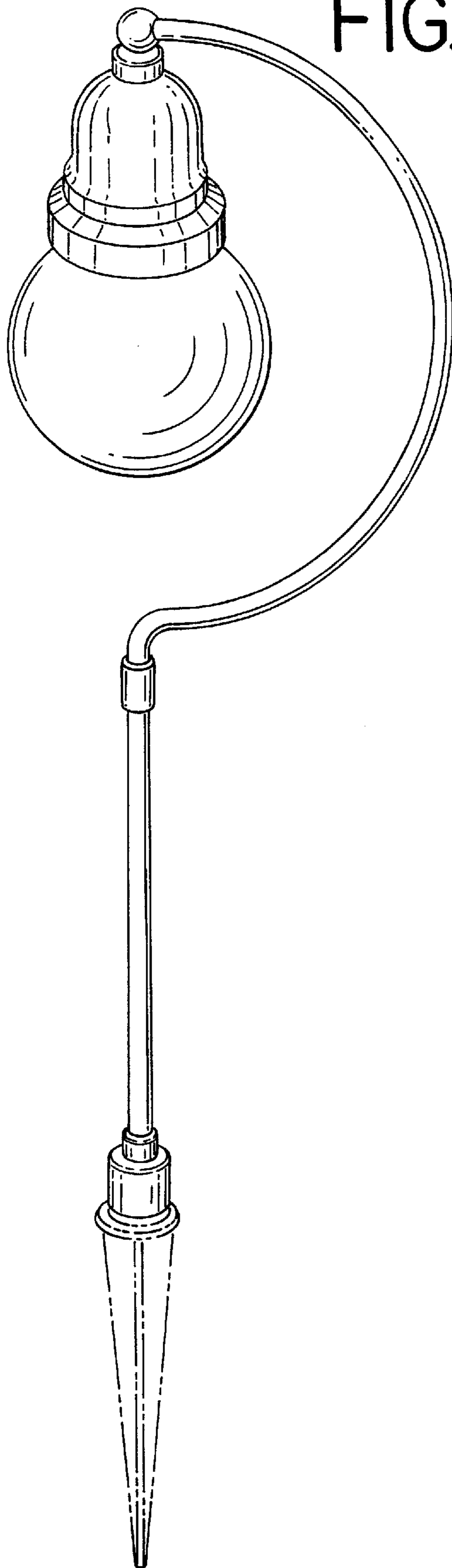


FIG. 2

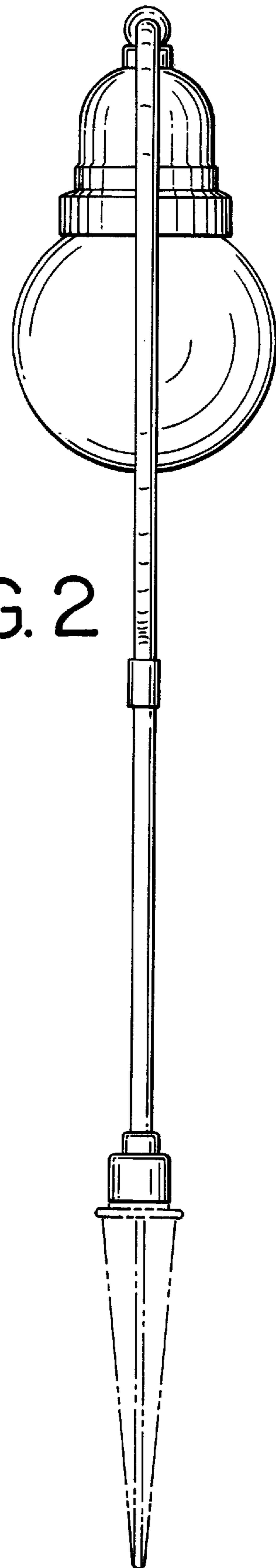


FIG. 3

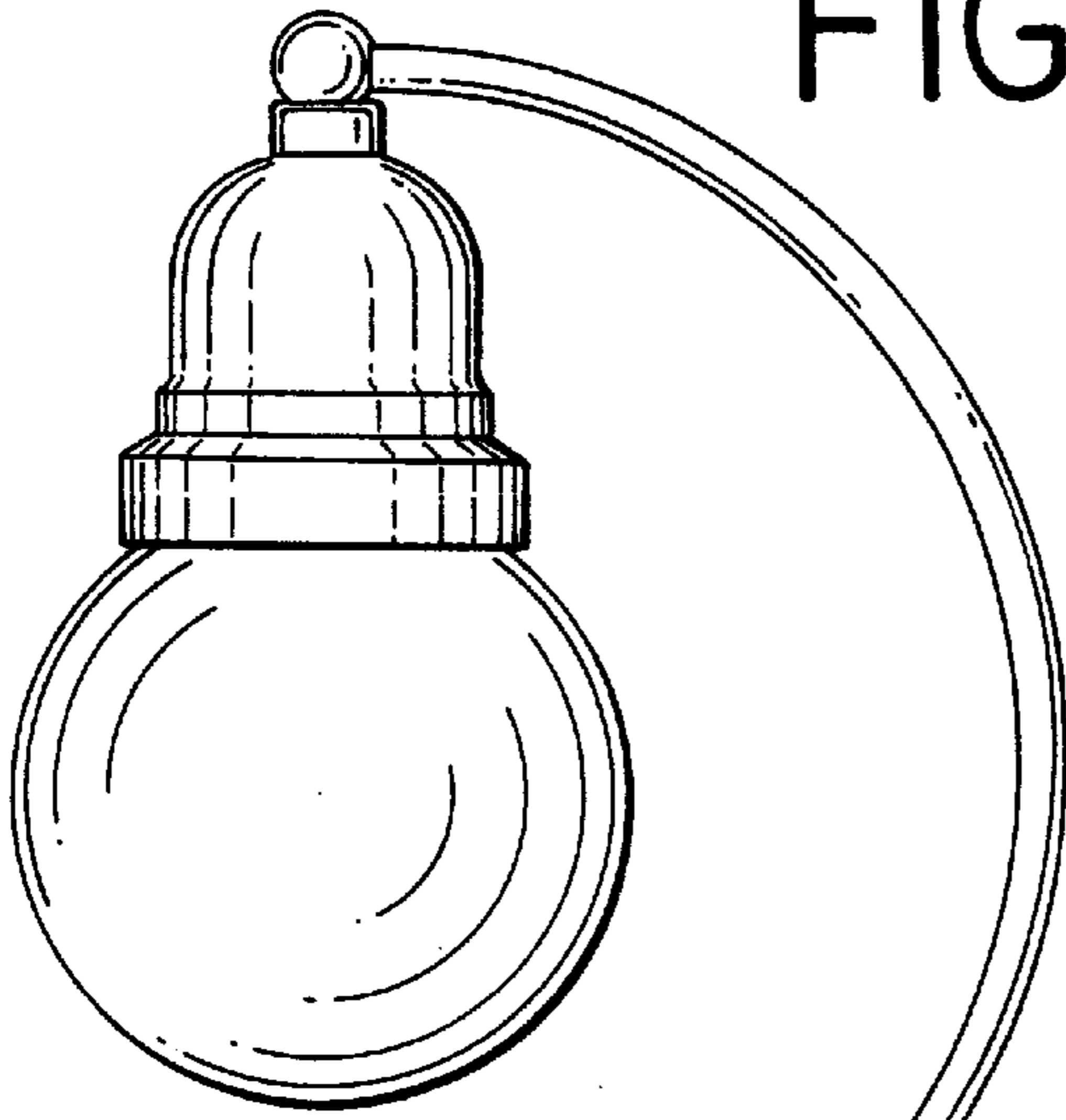


FIG. 4

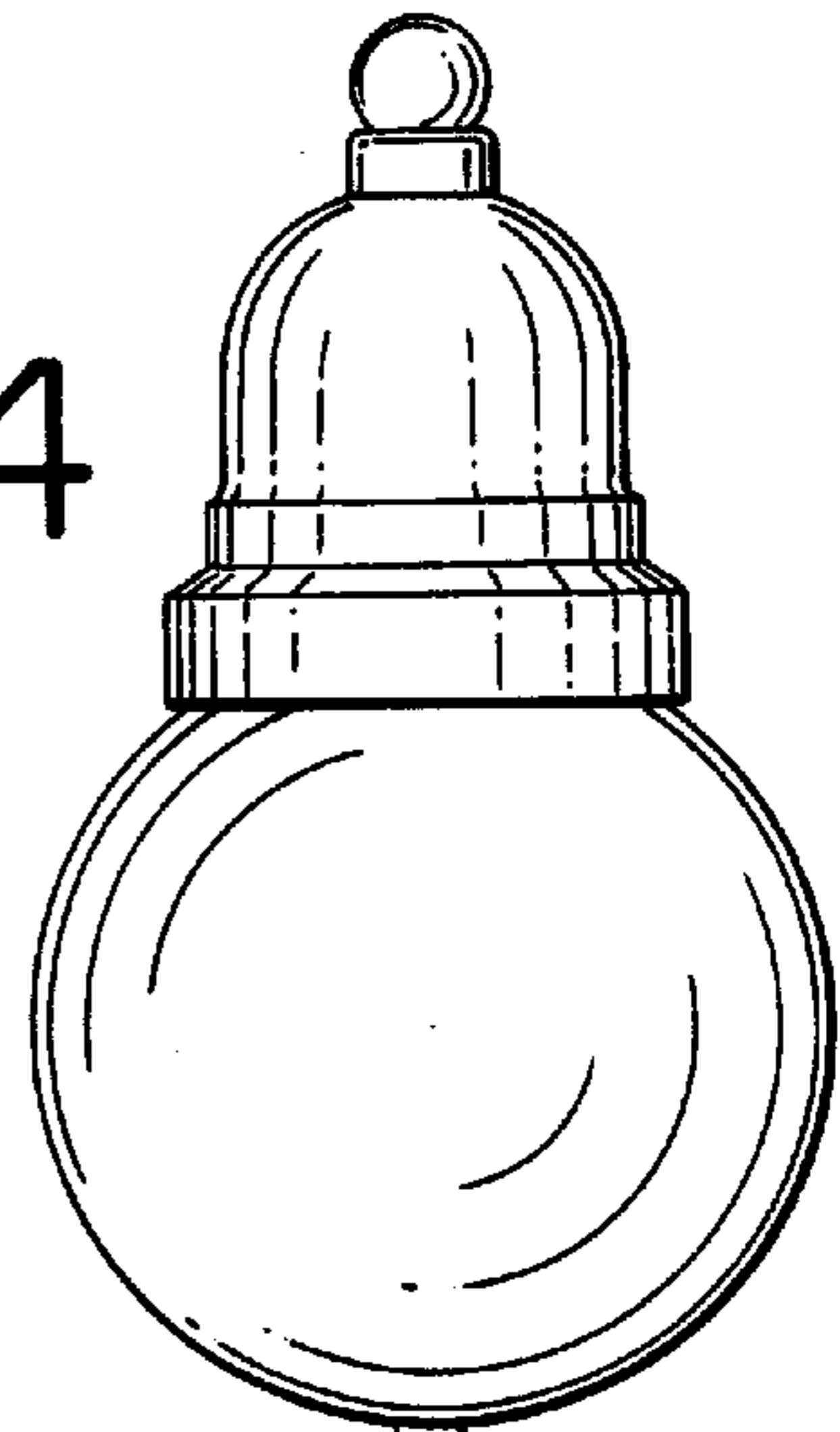


FIG. 5

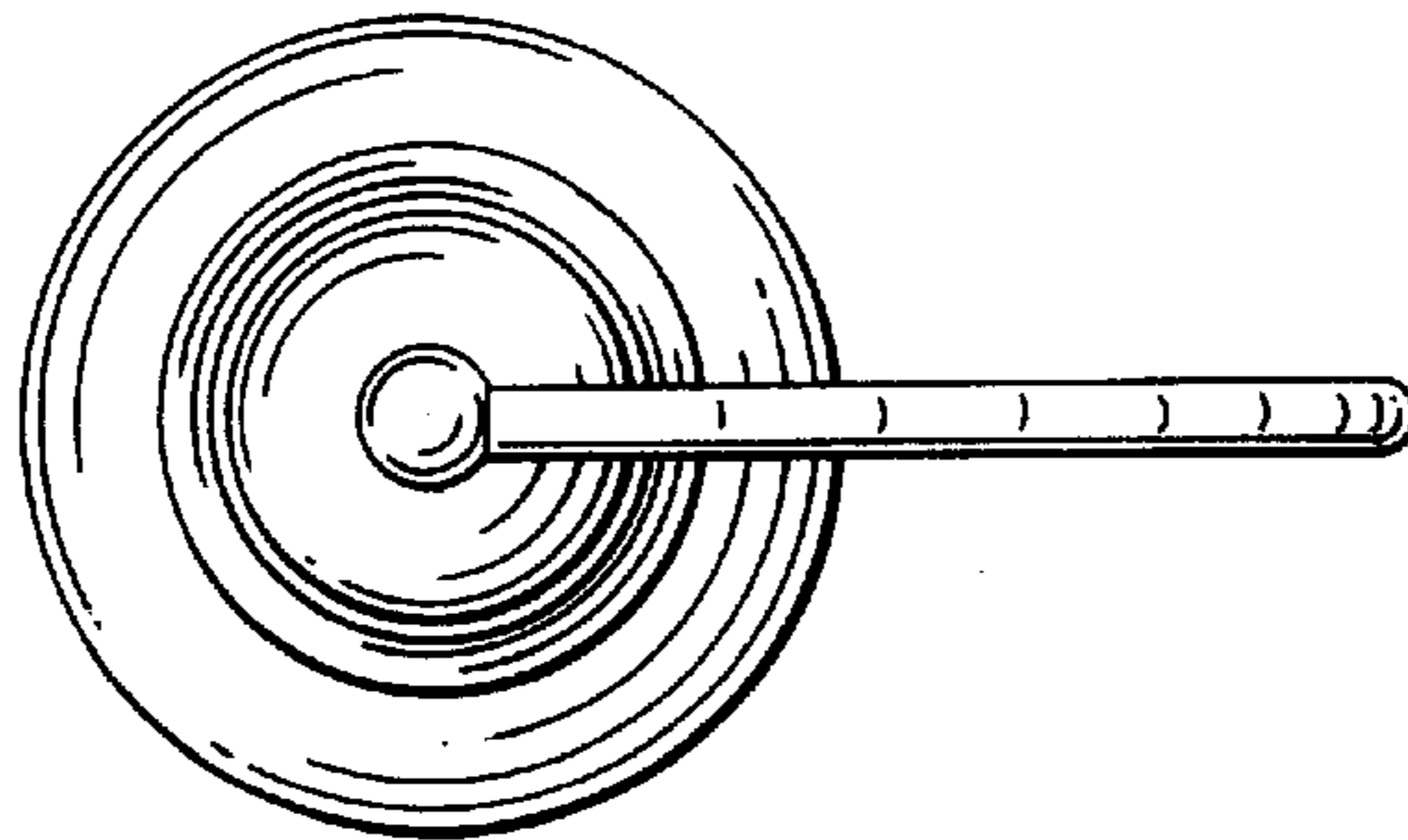
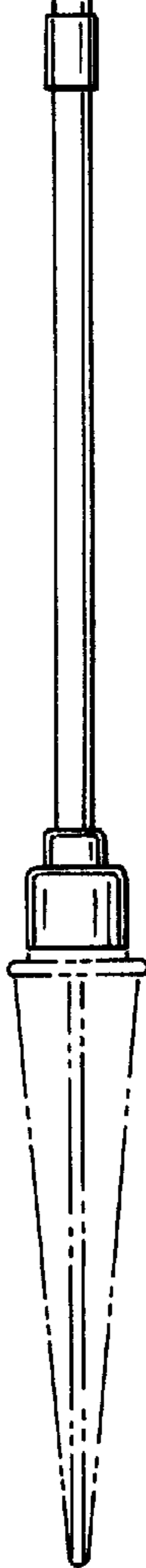
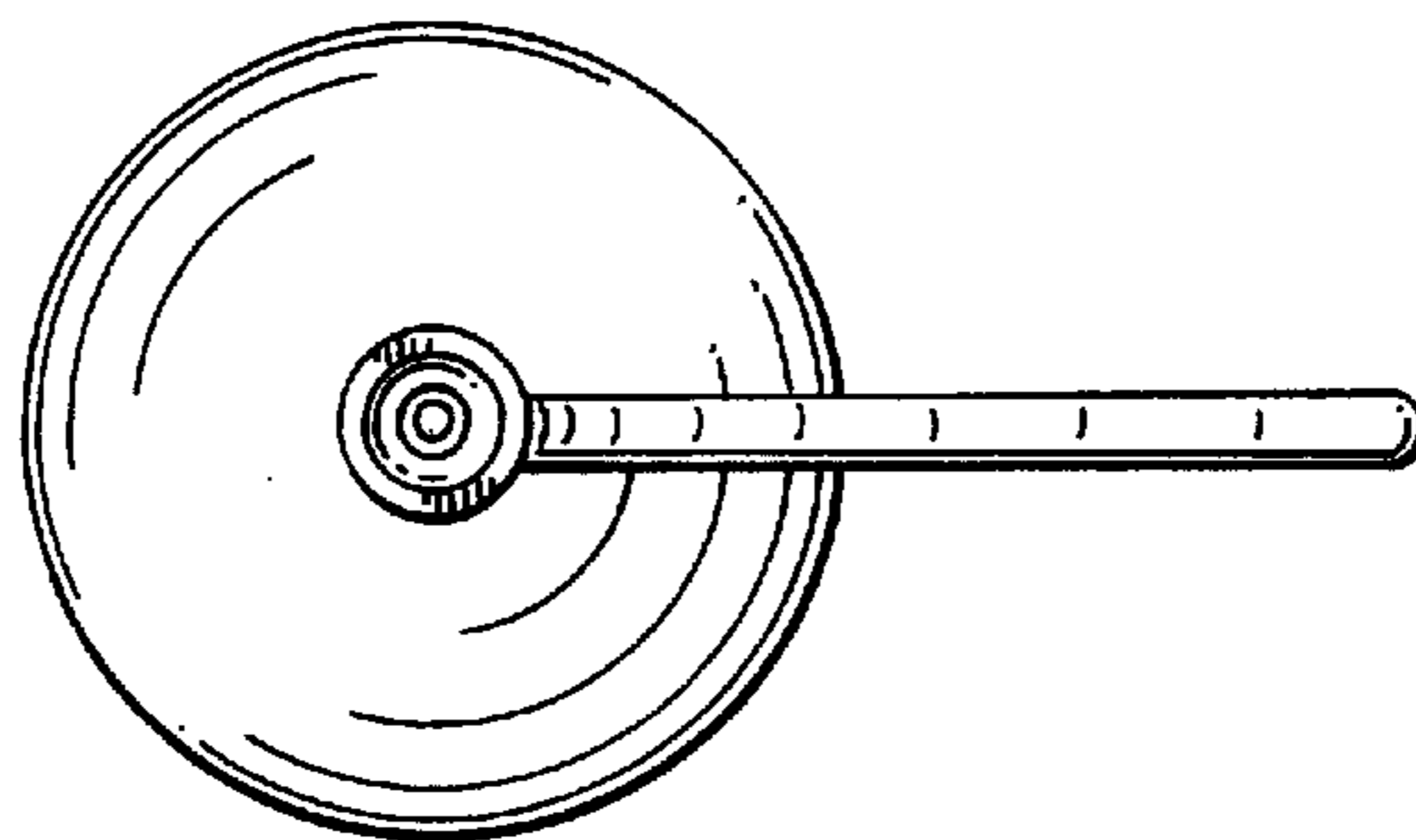


FIG. 6



UNITED STATES PATENT AND TRADEMARK OFFICE
CERTIFICATE OF CORRECTION

PATENT NO. : Des 423,708
DATED : April 25, 2000
INVENTOR(S) : Robert D. Giese et al.

Page 1 of 1

It is certified that error appears in the above-identified patent and that said Letters Patent is hereby corrected as shown below:

Title page.

Column 2.

Line 1, under "DESCRIPTION", insert -- , -- (comma) after "fixture".

Line 4, under "DESCRIPTION", change "view thereof, the opposite side" to -- view.

The other side --.

Line 7, under "DESCRIPTION", change "and," to -- and --.

Signed and Sealed this

Fourth Day of December, 2001

Attest:

Nicholas P. Godici

Attesting Officer

NICHOLAS P. GODICI
Acting Director of the United States Patent and Trademark Office