



US00D423707S

# United States Patent [19] Hammond

[11] Patent Number: **Des. 423,707**

[45] Date of Patent: **\*\* Apr. 25, 2000**

[54] **STREET LAMP**

[75] Inventor: **Douglas S. Hammond**, Newark, Ohio

[73] Assignee: **CC Custom Products, Inc.**, Newark, Ohio

[\*\*] Term: **14 Years**

[21] Appl. No.: **29/106,743**

[22] Filed: **Jun. 21, 1999**

[51] **LOC (6) Cl.** ..... **26-05**

[52] **U.S. Cl.** ..... **D26/67**

[58] **Field of Search** ..... D26/67-71; 362/153,  
362/153.1, 431

D. 390,994 2/1998 Ewing et al. .... 26/67  
D. 400,277 10/1998 Ewing et al. .... 26/67

### OTHER PUBLICATIONS

HC019626, HC019629 and HC019648 from "The New Era in Street Lighting", Booklet 150, Holophane Glass Company, 1918.

*Primary Examiner*—Lisa Lichtenstein  
*Attorney, Agent, or Firm*—John L. Gray, Esq.; Kegler, Brown, Hill & Ritter Co., L.P.A.

### [57] CLAIM

The ornamental design for a street lamp, as shown and described.

### DESCRIPTION

FIG. 1 is a front elevation of the street lamp, the opposite side being a mirror image.

FIG. 2 is a side elevation thereof, the opposite side being symmetrical.

FIG. 3 is a top plan view thereof; and,

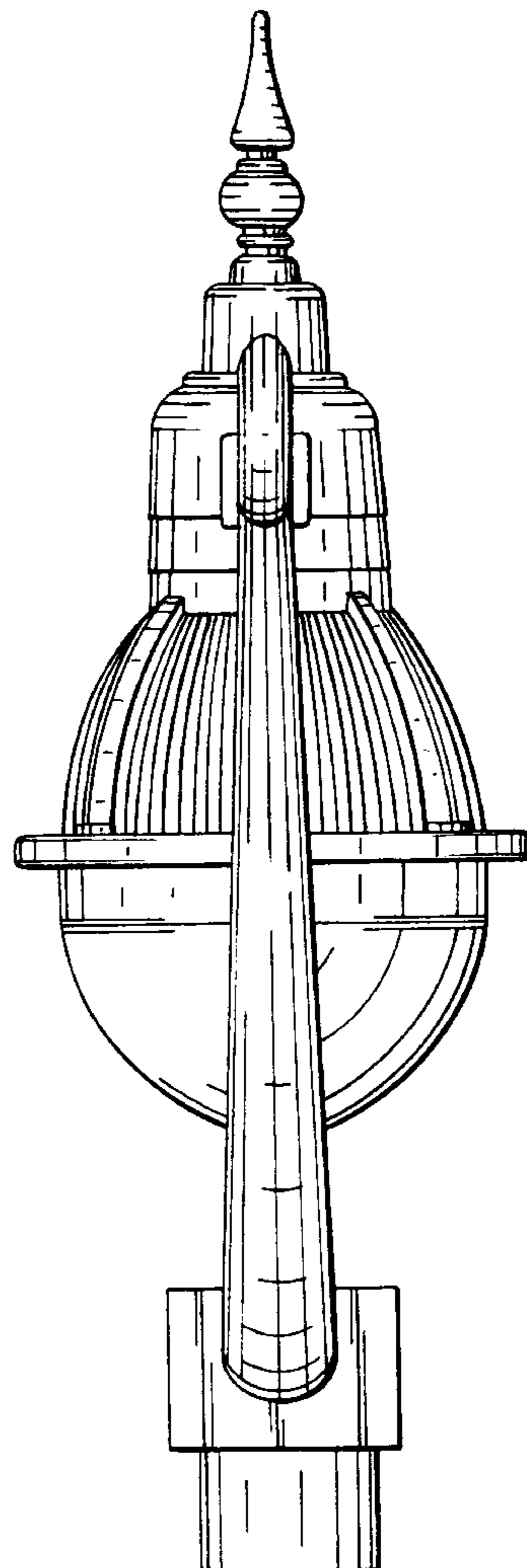
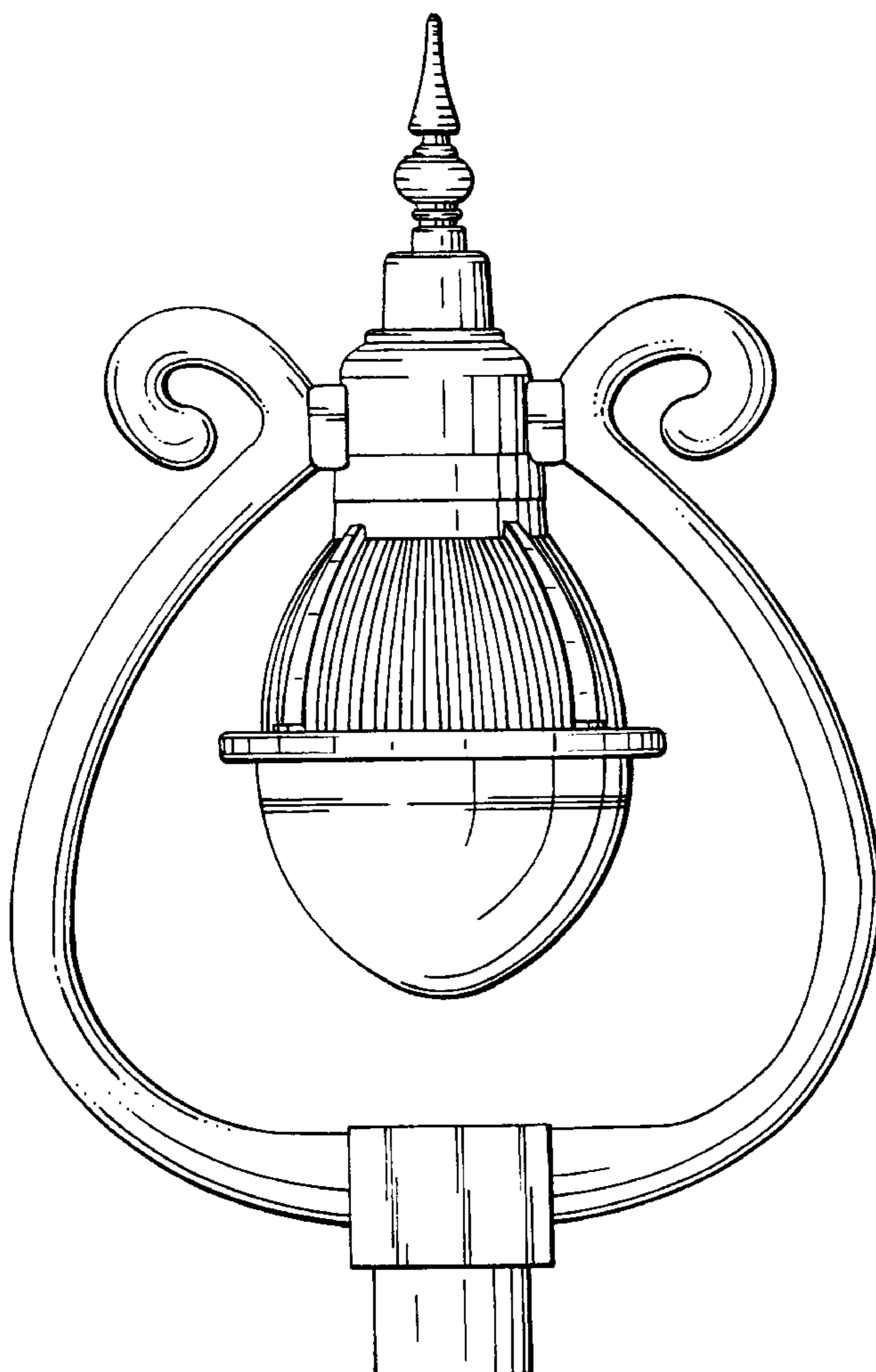
FIG. 4 is a bottom plan view thereof.

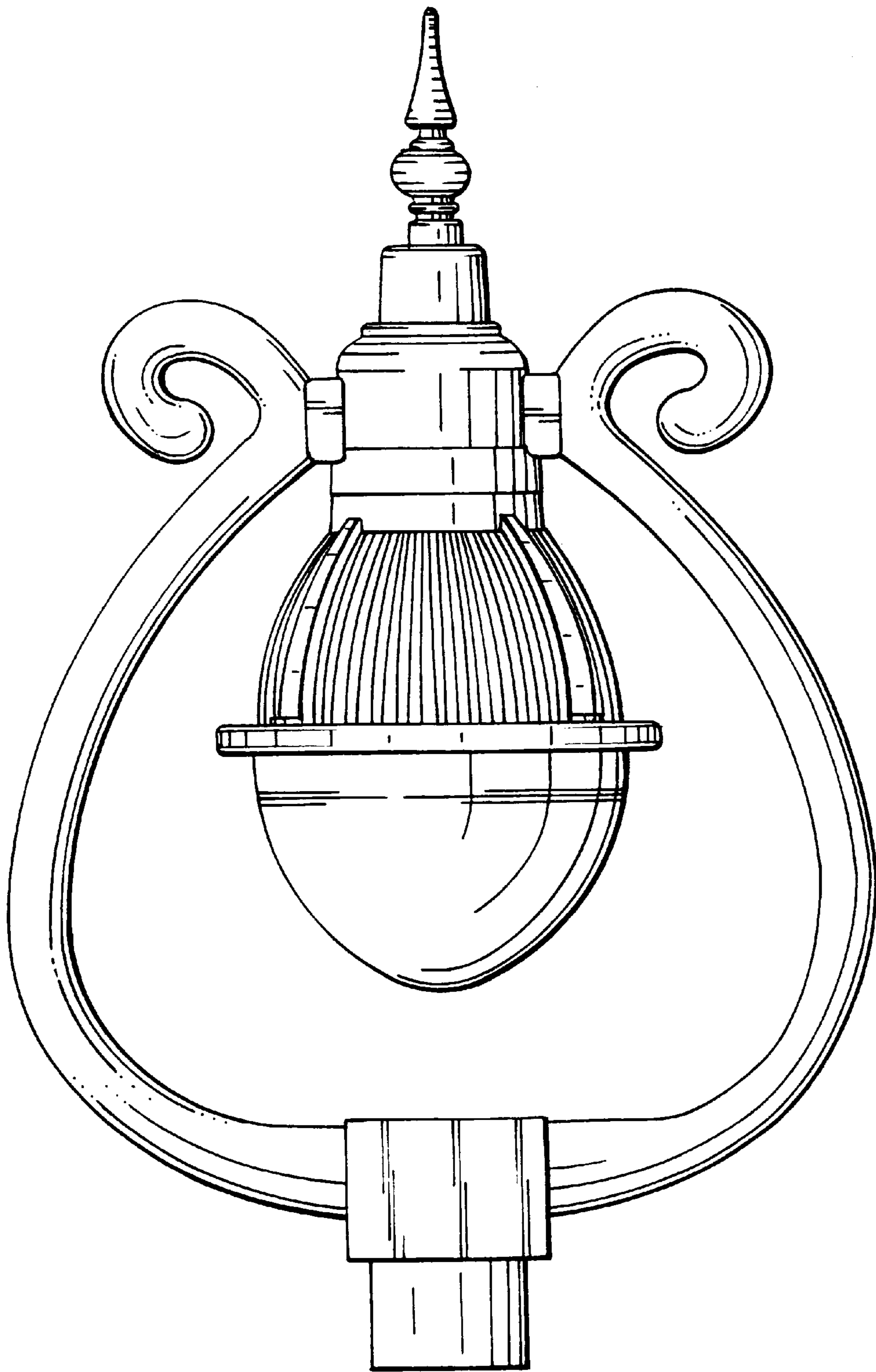
### [56] References Cited

#### U.S. PATENT DOCUMENTS

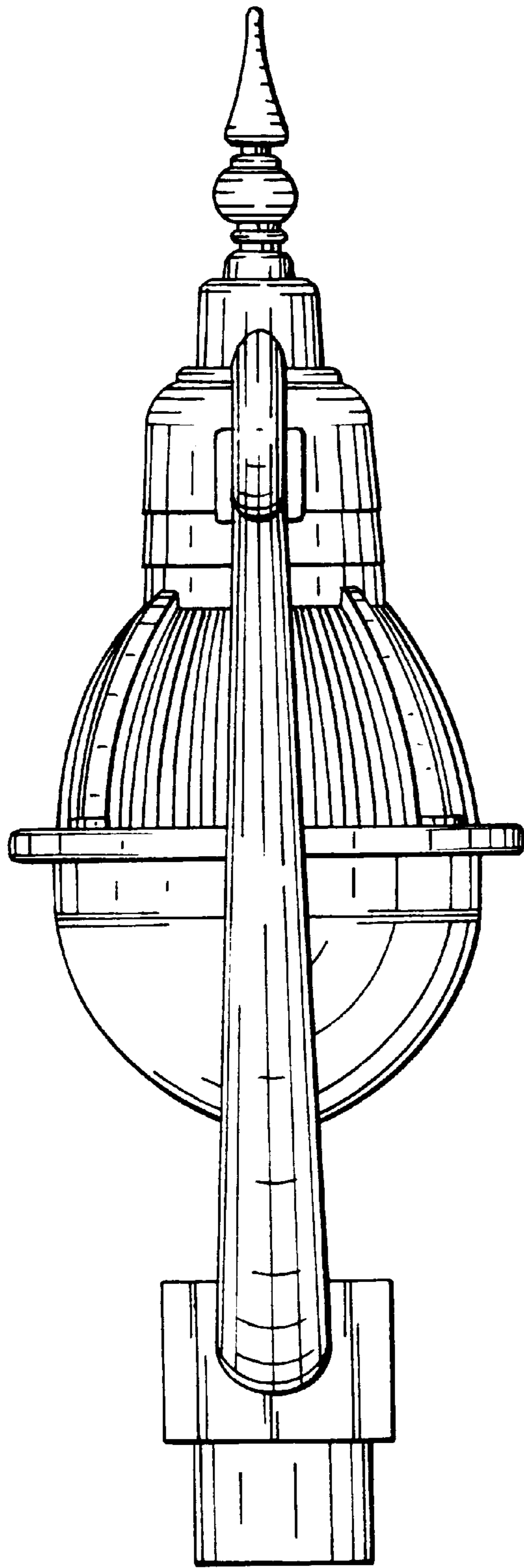
- D. 31,745 10/1899 Shaw et al. .
- D. 60,453 1/1922 Gosling et al. .
- D. 81,452 6/1930 Osborn .
- D. 104,447 5/1937 Haas .
- D. 348,745 7/1994 Ewing et al. .... 26/67

**1 Claim, 3 Drawing Sheets**

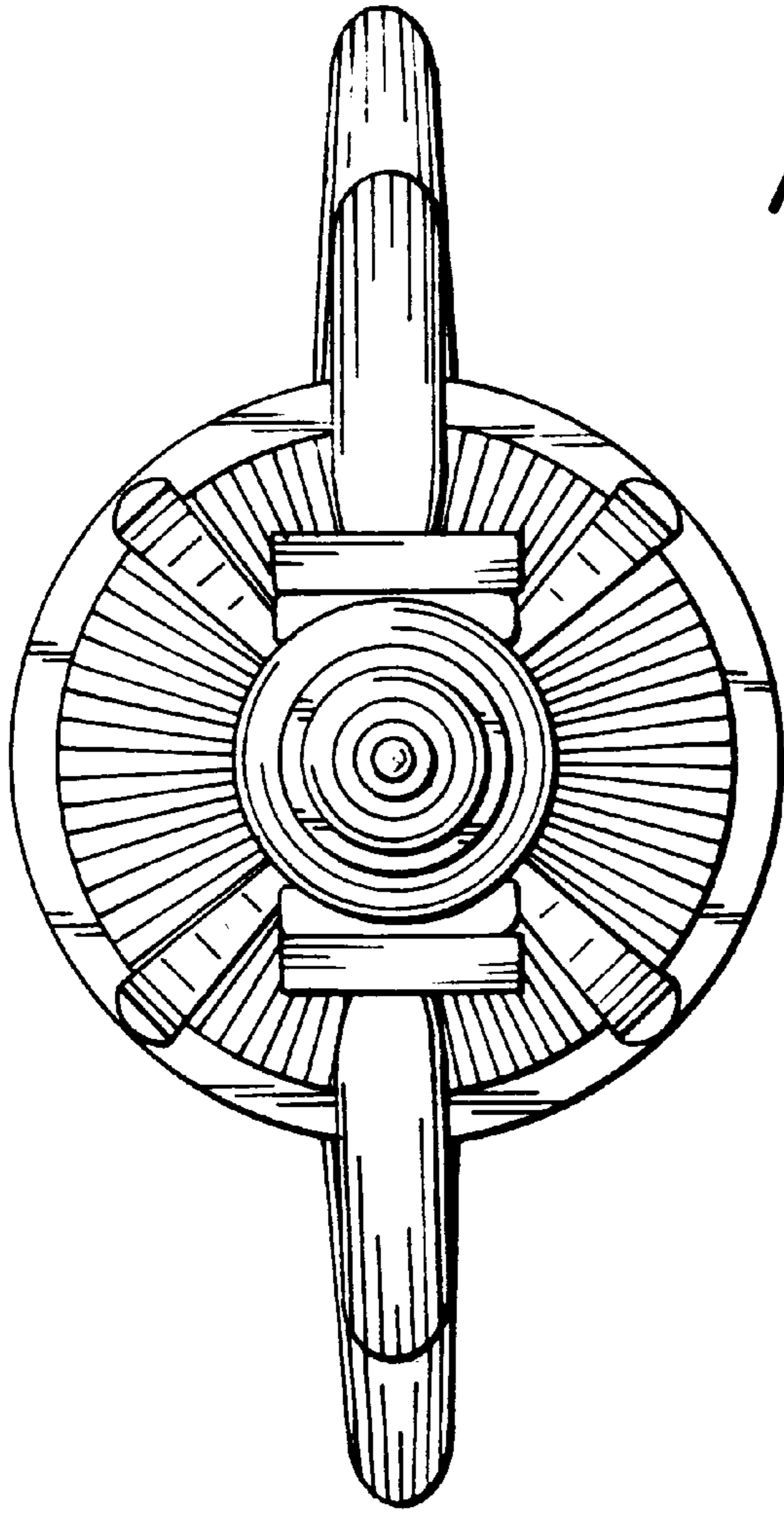




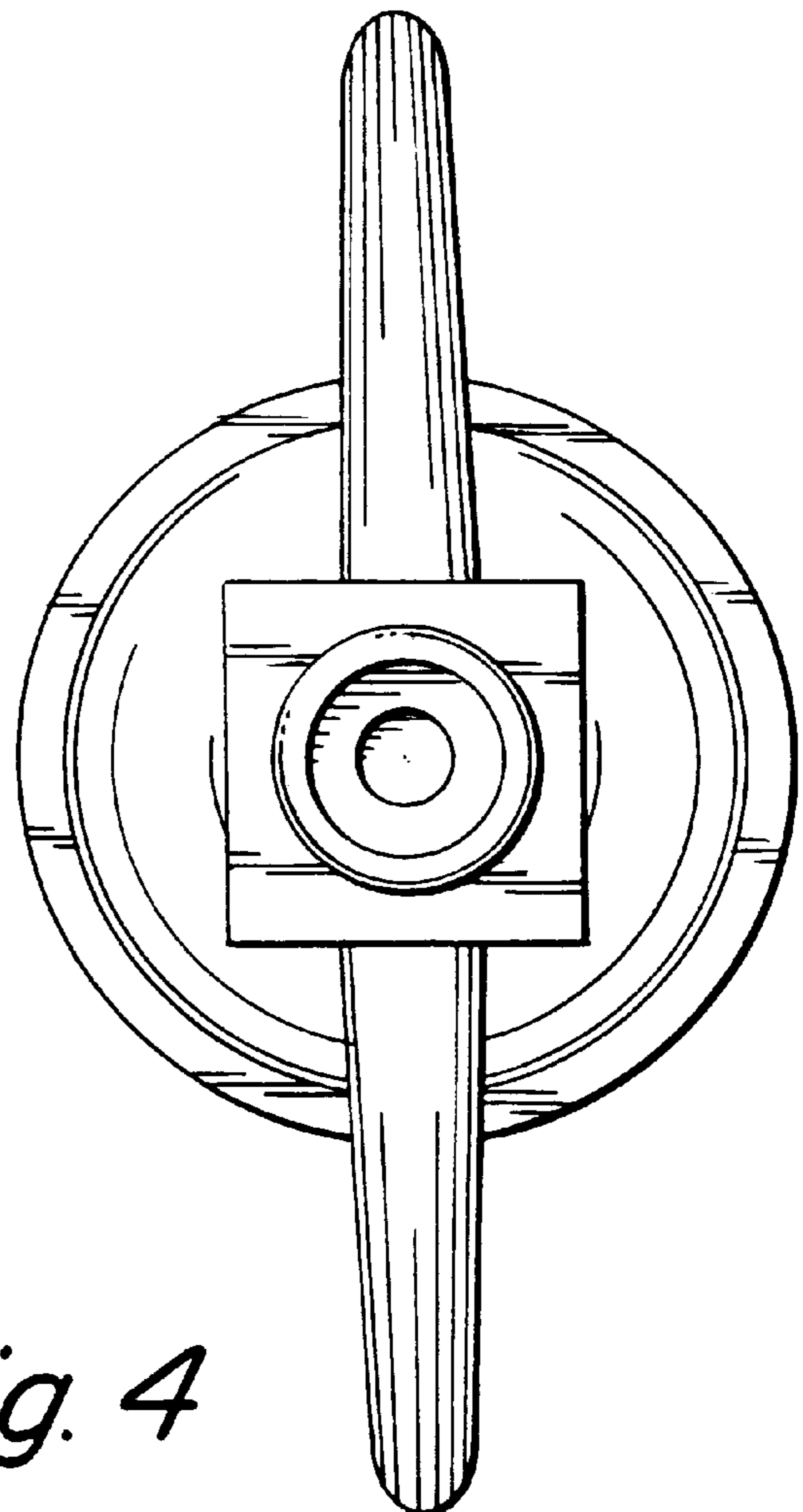
*Fig. 1*



*Fig. 2*



*Fig. 3*



*Fig. 4*