



US00D423705S

United States Patent [19]
Swanson

[11] **Patent Number: Des. 423,705**
[45] **Date of Patent: ** *Apr. 25, 2000**

[54] **TORCHIERE LAMP WITH TENT SHADE TASK LIGHT ON SWING ARM**

[75] Inventor: **Dennis K. Swanson**, Woodland Hills, Calif.

[73] Assignee: **Lamps Plus, Inc.**, Chatsworth, Calif.

[*] Notice: This patent is subject to a terminal disclaimer.

[**] Term: **14 Years**

[21] Appl. No.: **29/058,457**

[22] Filed: **Aug. 15, 1996**

[51] **LOC (6) Cl.** **26-05**

[52] **U.S. Cl.** **D26/63; D26/58; D26/93**

[58] **Field of Search** **D26/60-66, 93, D26/102-112, 58; 362/410-414, 269, 275, 287, 418, 419, 427**

[56] **References Cited**

U.S. PATENT DOCUMENTS

D. 348,113	6/1994	Swanson	D26/63
D. 369,424	4/1996	Swanson	D26/63
D. 369,425	4/1996	Swanson	D26/102 X
D. 371,449	7/1996	Huang	D26/65

OTHER PUBLICATIONS

Home Lighting and Accessories, p. 197, Versaponents, Inc. shade, Jun. 1994.

Primary Examiner—Susan J. Lucas

Attorney, Agent, or Firm—Fulbright & Jaworski L.L.P.

[57] **CLAIM**

The ornamental design of a torchiere lamp with tent shade task light on swing arm, as shown and described.

DESCRIPTION

FIG. 1 is a side view of the torchiere lamp having a tent shade task light on a swing arm, the lamp being in combination with a tray (the opposite side being a mirror image thereof);

FIG. 2 is a front view thereof;

FIG. 3 is a rear view thereof;

FIG. 4 is a top view thereof;

FIG. 5 is a bottom view thereof;

FIG. 6 is a plan portion view thereof showing the arm in an alternate position;

FIG. 7 is a side view of an alternative embodiment thereof which eliminates the tray;

FIG. 8 is a front view thereof;

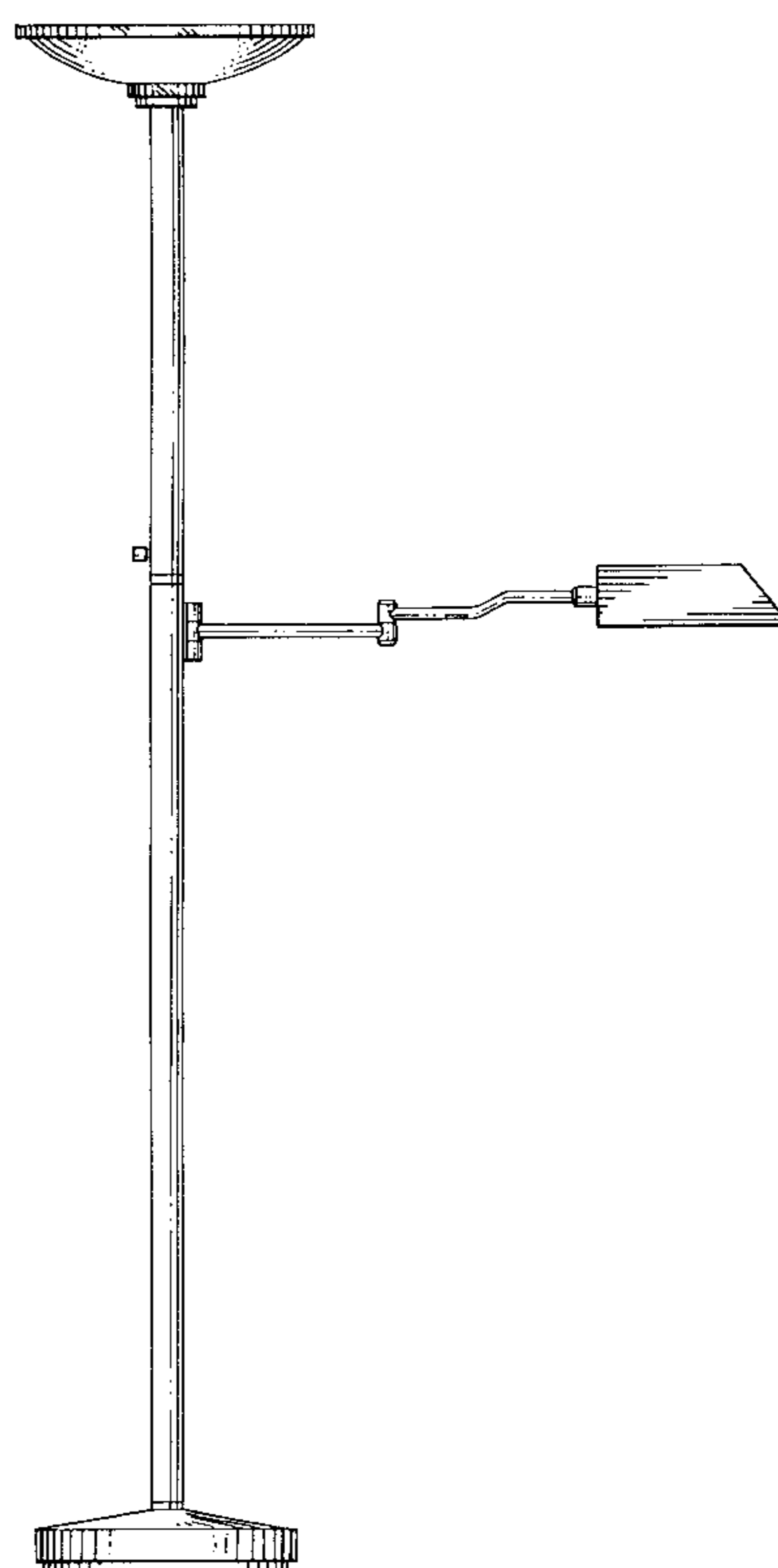
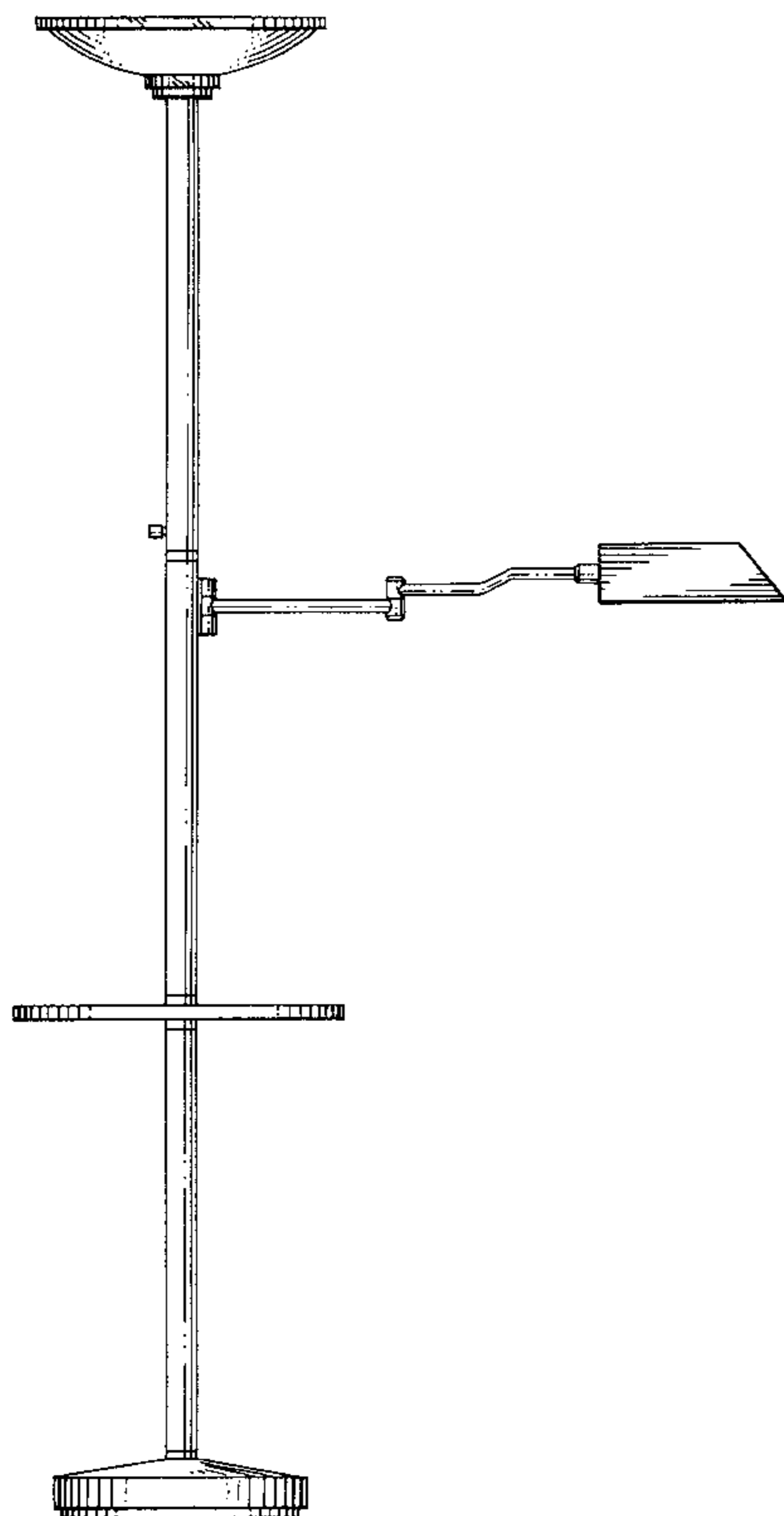
FIG. 9 is a rear view thereof;

FIG. 10 is a top view thereof;

FIG. 11 is a bottom view thereof; and,

FIG. 12 is a plan portion view thereof showing the arm in an alternate position.

1 Claim, 4 Drawing Sheets



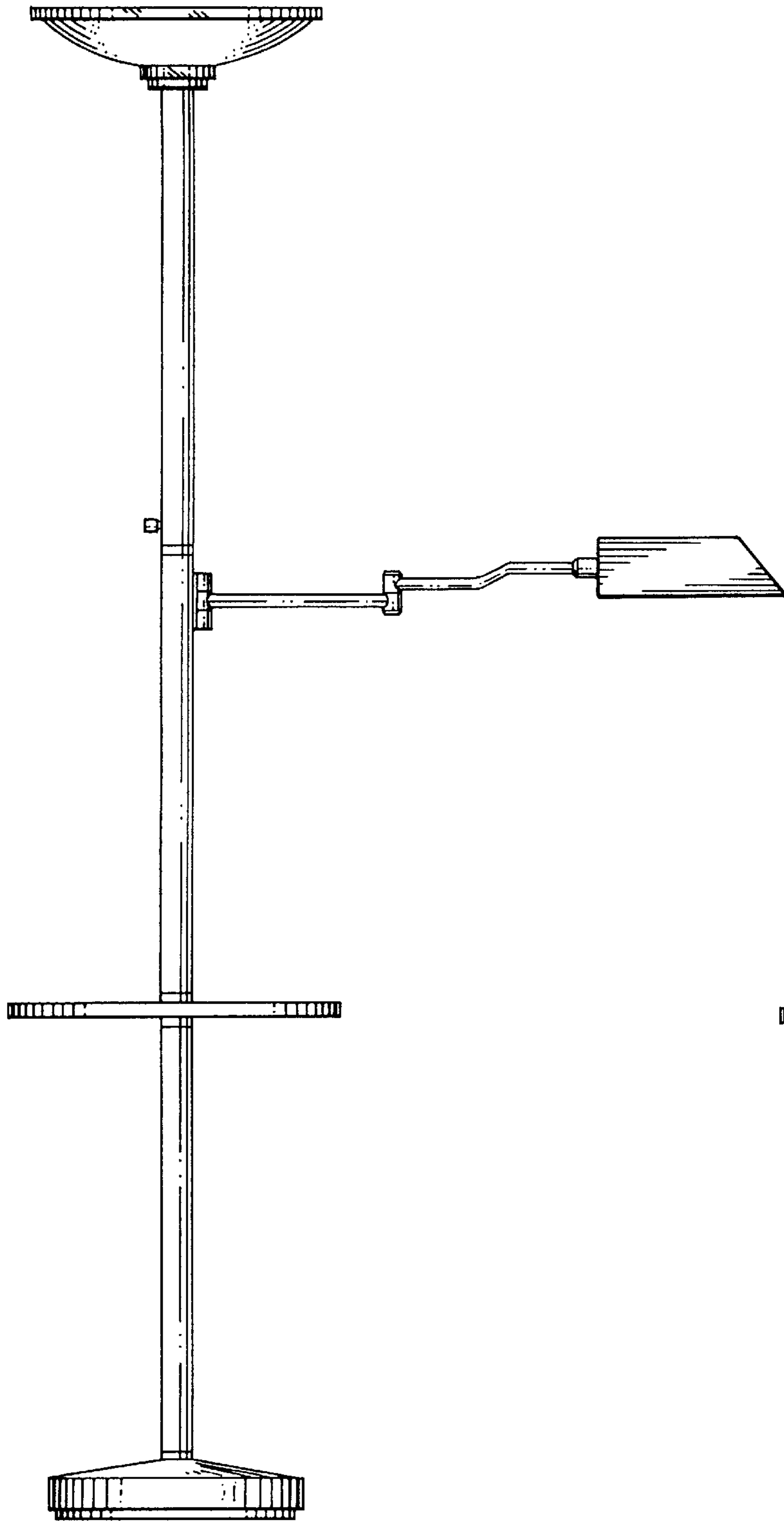


FIG. 1

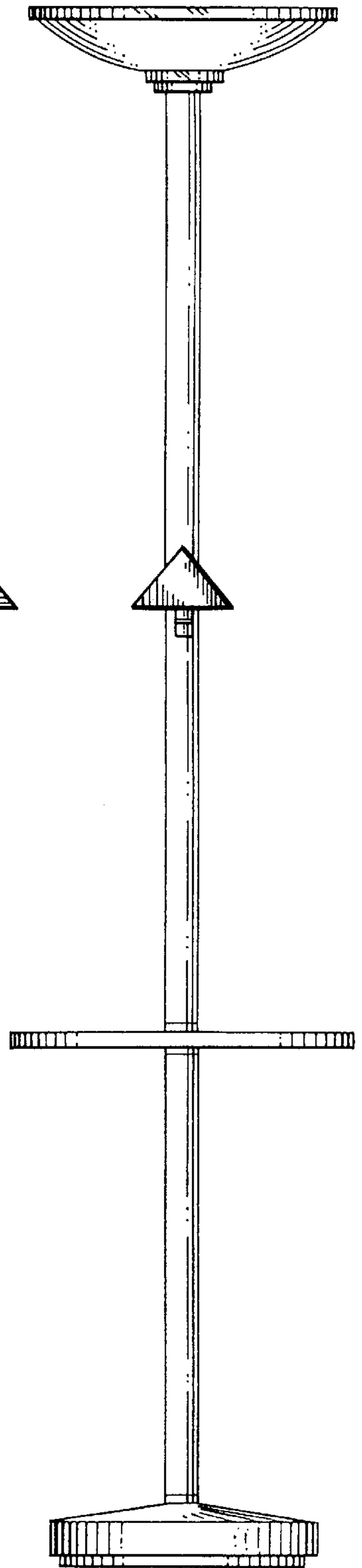


FIG. 2

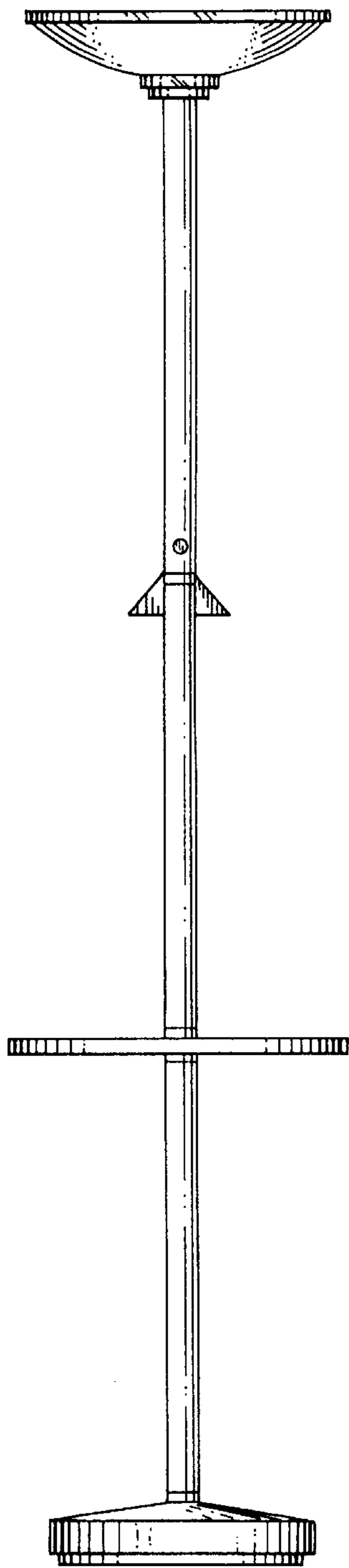


FIG. 3

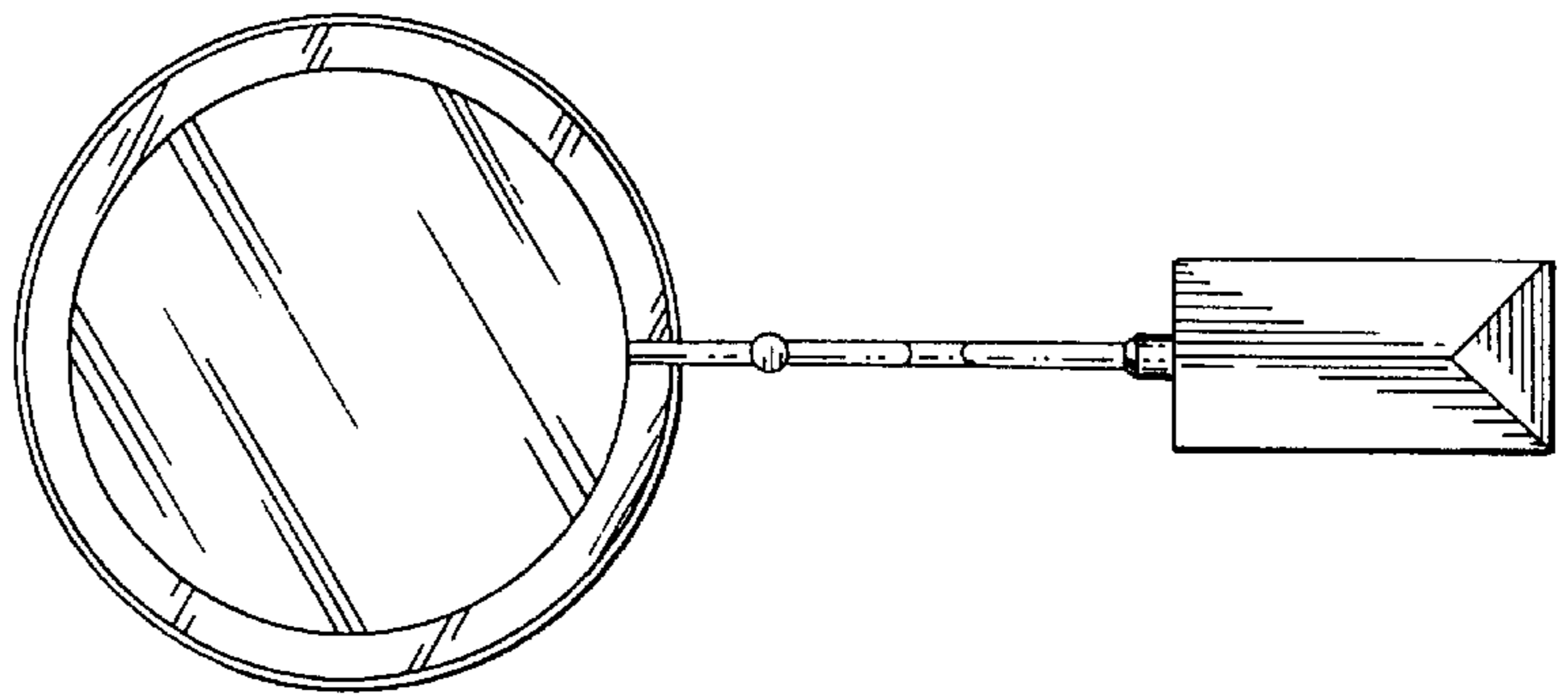


FIG. 4

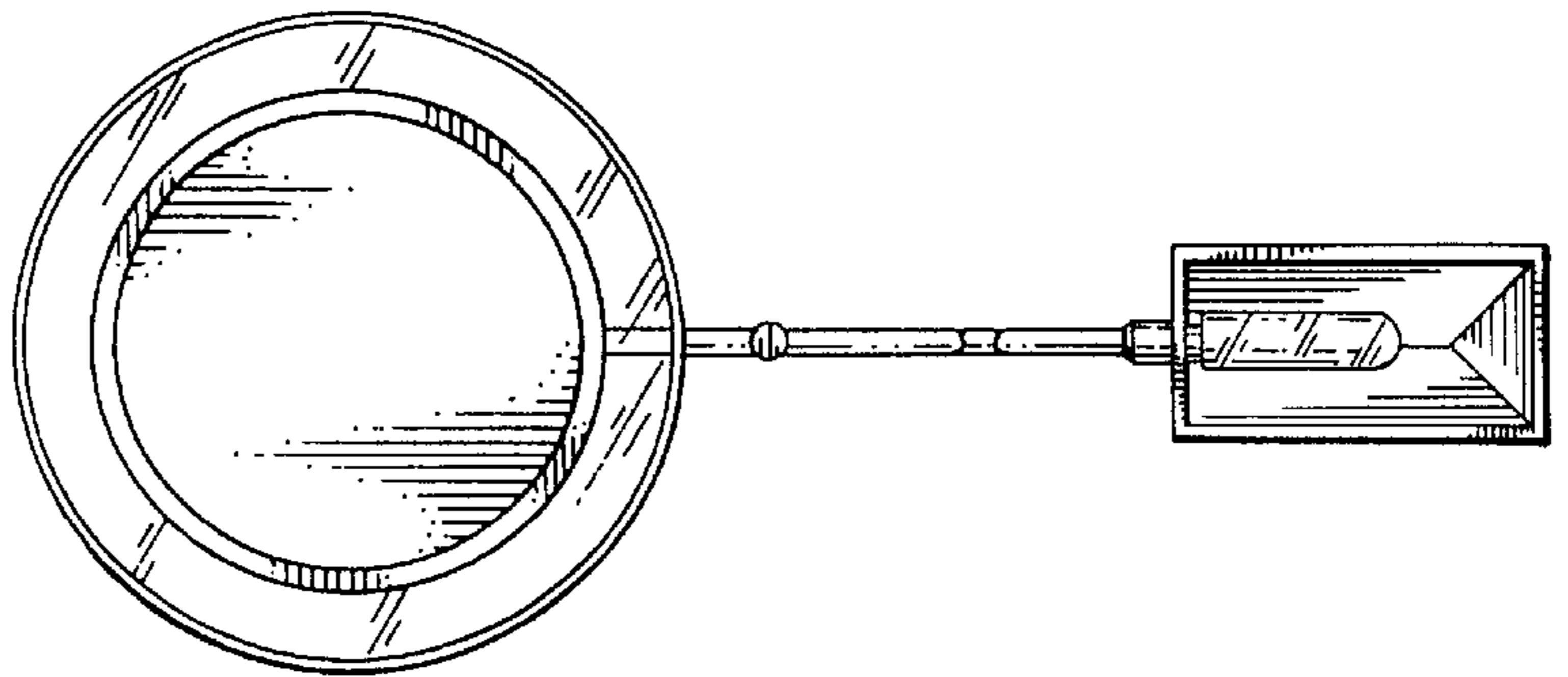


FIG. 5

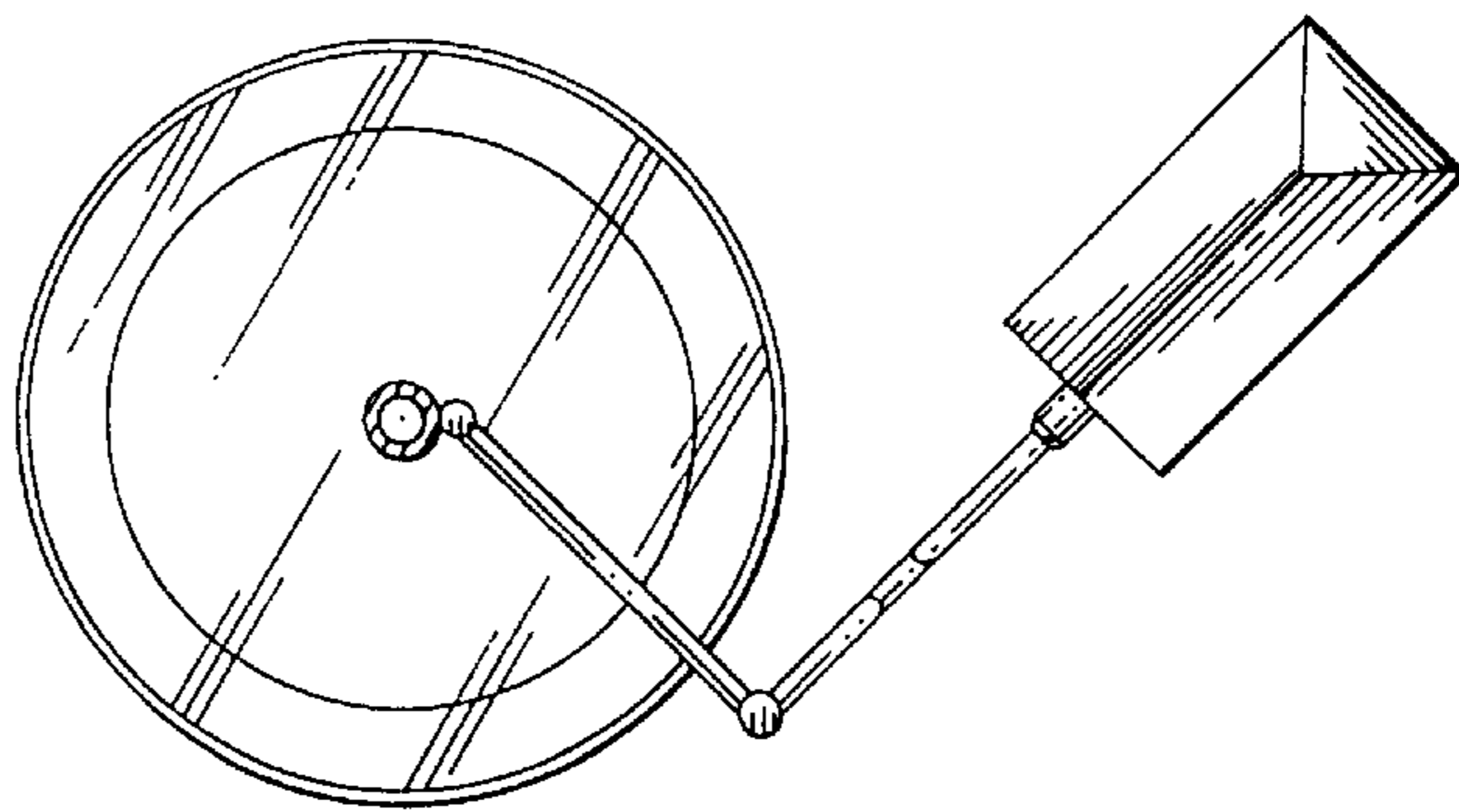


FIG. 6

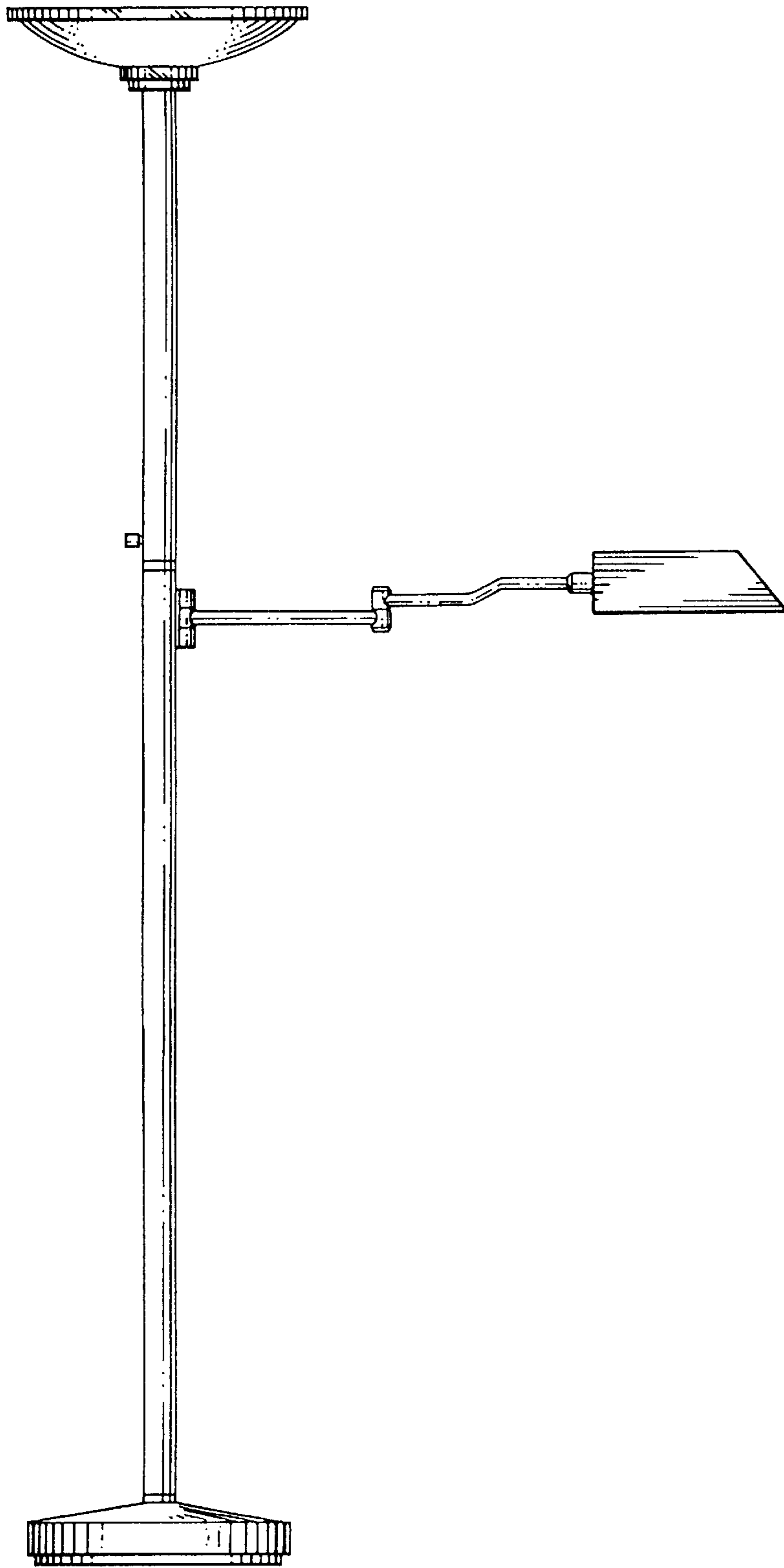


FIG. 7

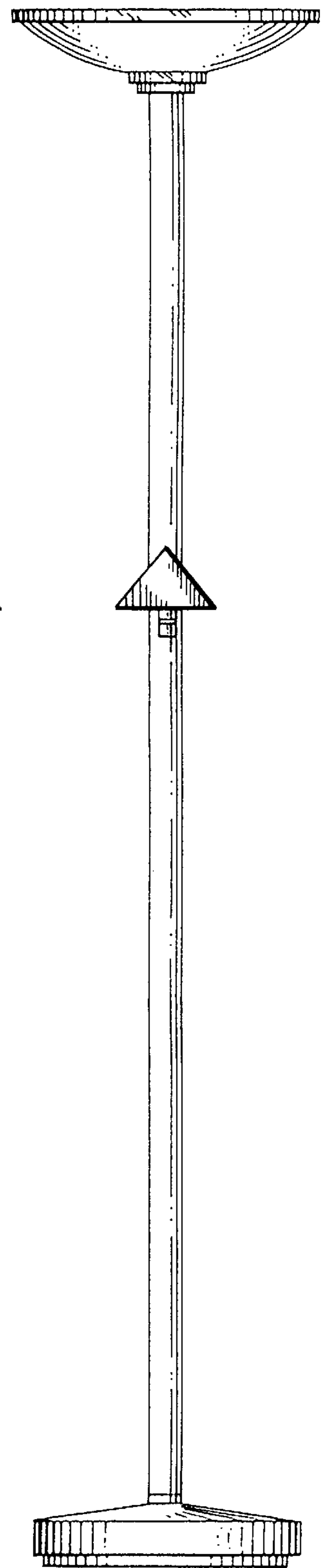


FIG. 8

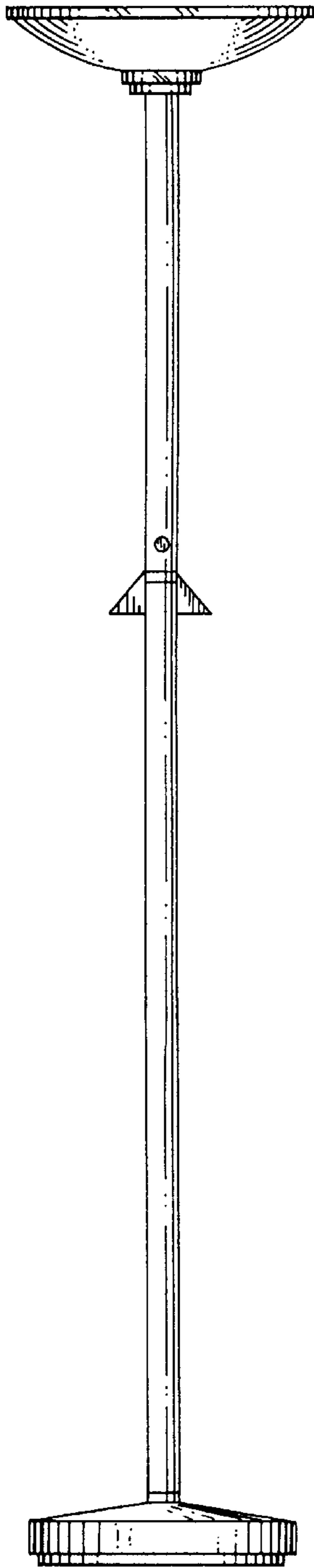


FIG. 9

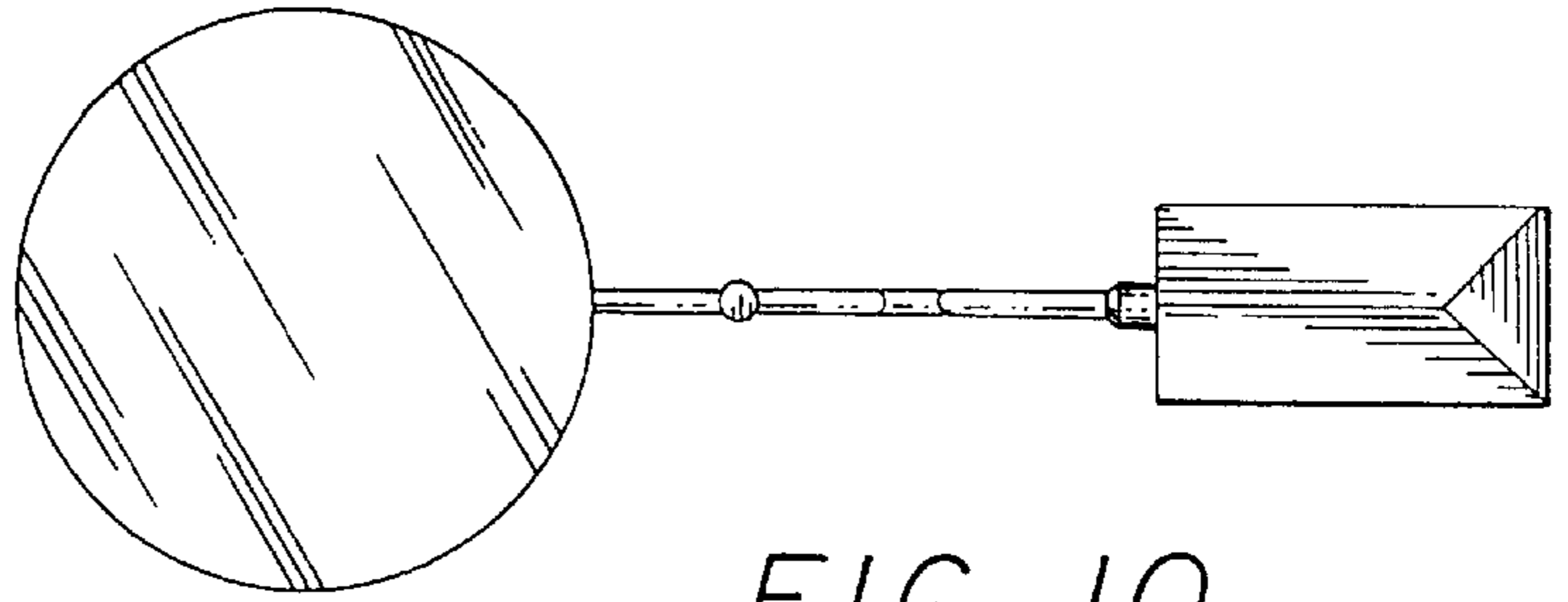


FIG. 10

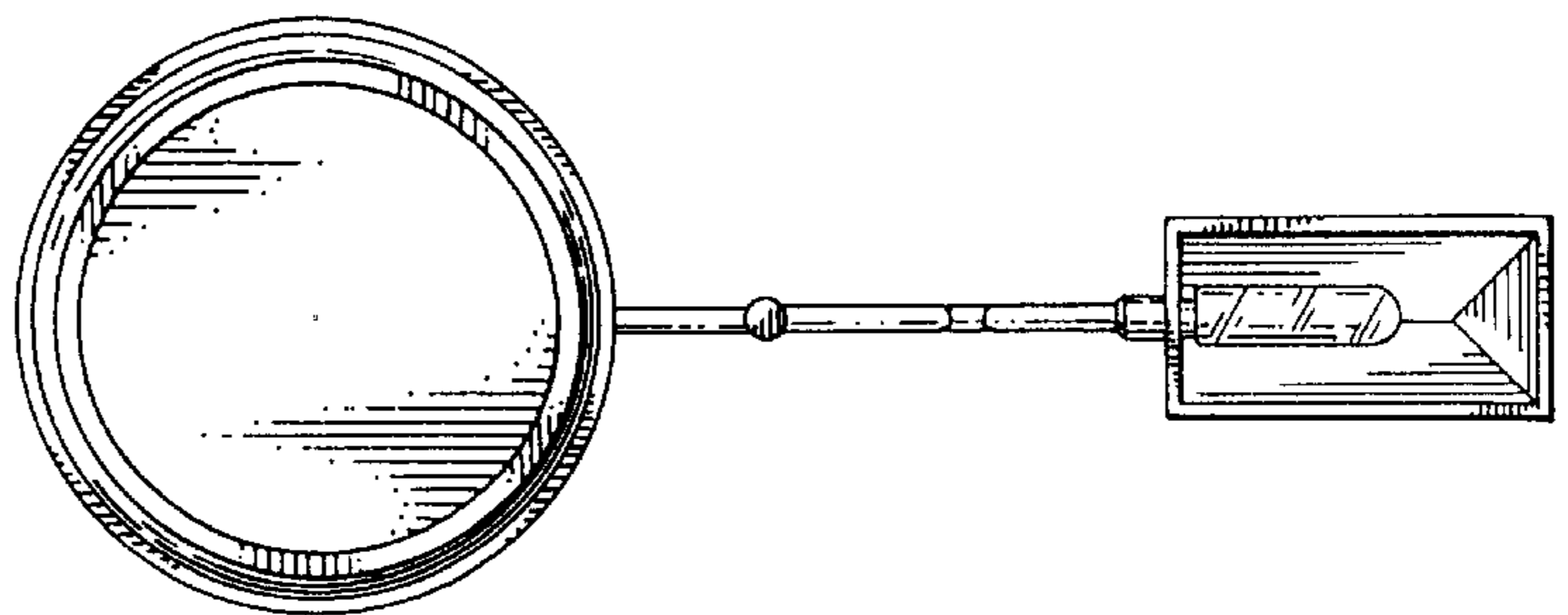


FIG. 11

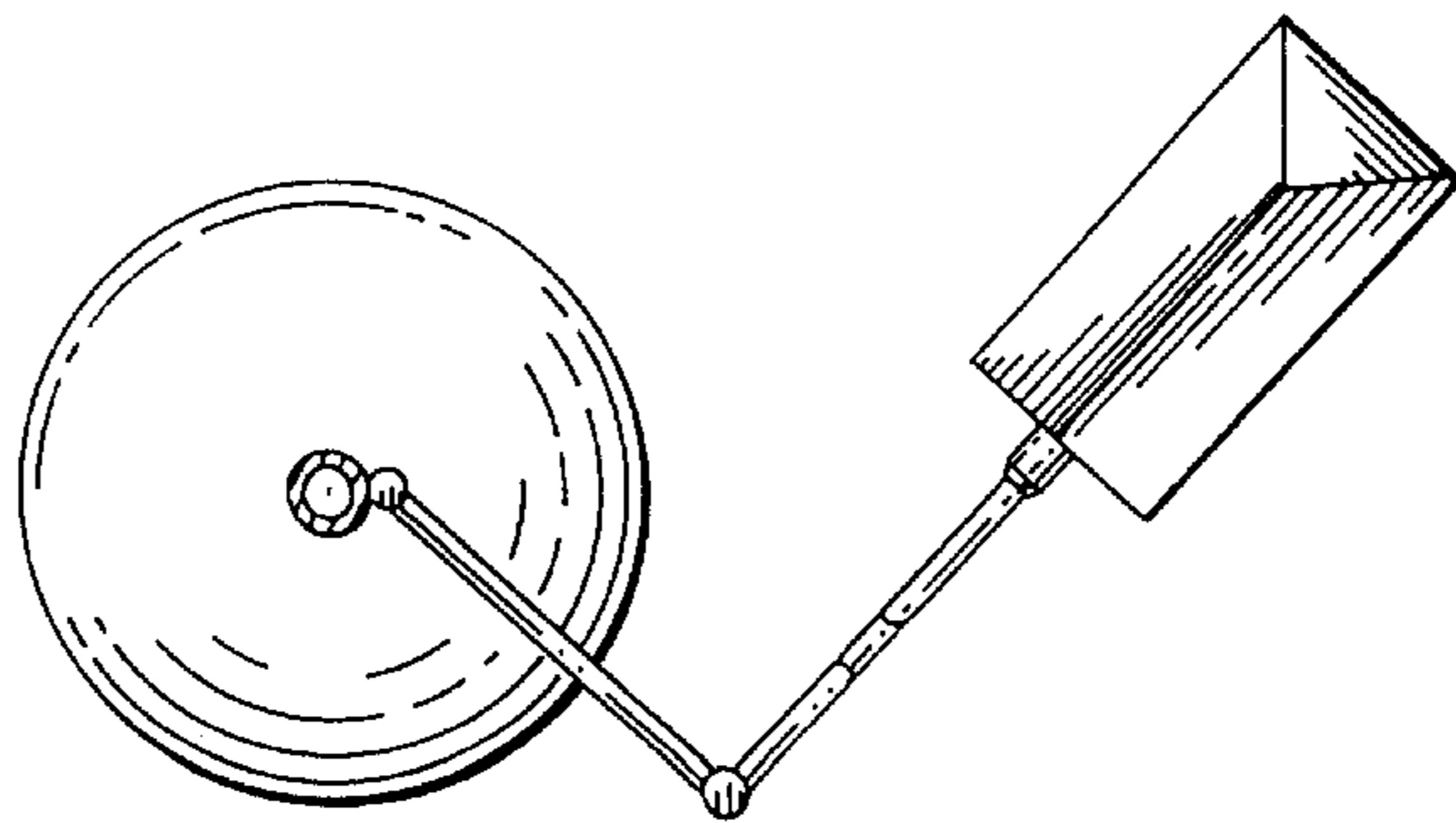


FIG. 12