



US00D423703S

United States Patent [19]
Shaw

[11] **Patent Number: Des. 423,703**

[45] **Date of Patent: ** Apr. 25, 2000**

[54] **MOTORCYCLE INDICATOR WITH BACK LIGHTS**

[76] Inventor: **David Shaw**, 103 Washington St.,
Morristown, N.J. 07960

[**] Term: **14 Years**

[21] Appl. No.: **29/084,303**

[22] Filed: **Feb. 27, 1998**

[51] **LOC (6) Cl.** **26-06**

[52] **U.S. Cl.** **D26/35**

[58] **Field of Search** D26/28-36; 362/41,
362/43, 459, 464, 485, 486, 487, 493, 496,
498, 538, 540, 542; 340/468, 471, 472,
473, 479, 478

[56] **References Cited**

U.S. PATENT DOCUMENTS

D. 295,447 4/1988 Jones D26/35
D. 316,230 4/1991 Munoz D26/28 X

Primary Examiner—Susan J. Lucas
Attorney, Agent, or Firm—Thomas L. Adams, Esq.

[57] **CLAIM**

The ornamental design for a motorcycle indicator with back lights, as shown and described.

DESCRIPTION

FIG. 1 is an front view of a motorcycle indicator with back lights (illuminated) showing my new design, and with the dotted lines showing as environment, a housing mounted atop a motorcycle gas tank;

FIG. 2 is an axonometric view thereof;

FIG. 3 is a bottom view thereof;

FIG. 4 is a rear edge view thereof;

FIG. 5 is a forward edge view thereof;

FIG. 6 is a left edge view thereof, the right edge view being a mirror image thereof;

FIG. 7 is a front view of a second embodiment of a motorcycle indicator with back lights (illuminated) showing my new design;

FIG. 8 is an axonometric view thereof;

FIG. 9 is a bottom view thereof;

FIG. 10 is a front view of a third embodiment of a motorcycle indicator with back lights (illuminated) showing my new design;

FIG. 11 is an axonometric view thereof; and

FIG. 12 is a bottom view thereof.

FIG. 13 is a front view of a fourth embodiment of a motorcycle indicator with back lights (illuminated) showing my new design;

FIG. 14 is an axonometric view thereof; and

FIG. 15 is a bottom view thereof.

1 Claim, 4 Drawing Sheets

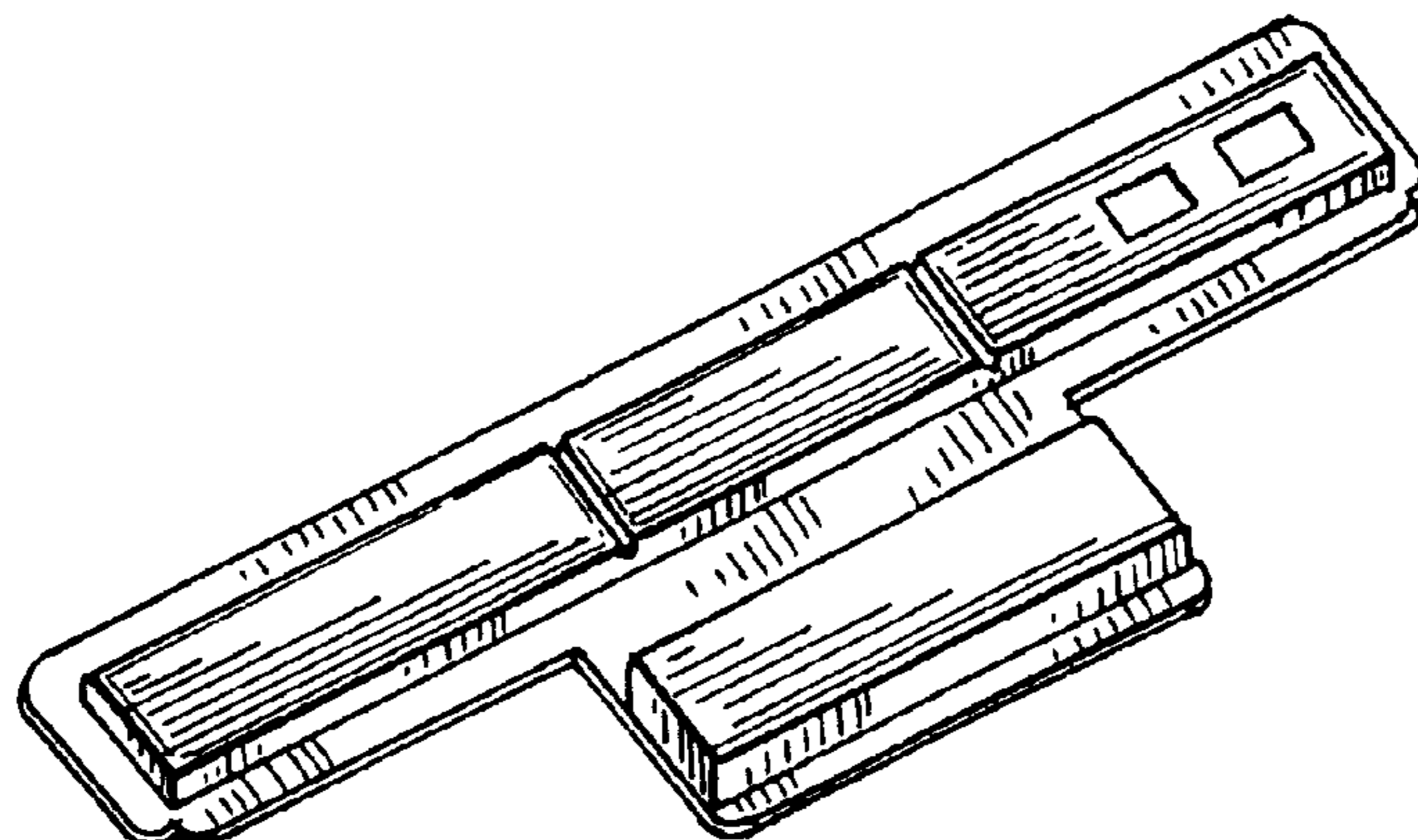
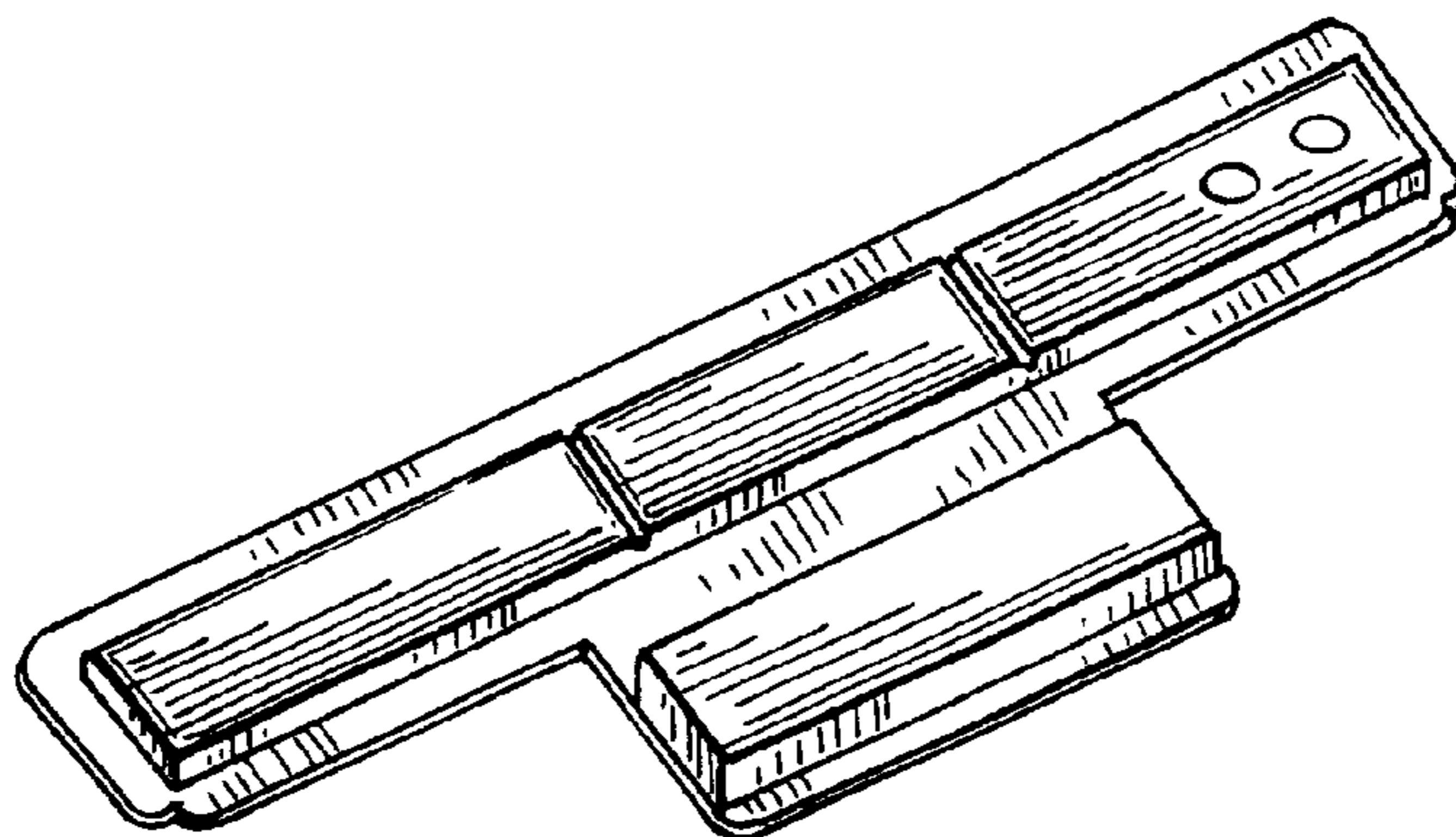


FIG. 1

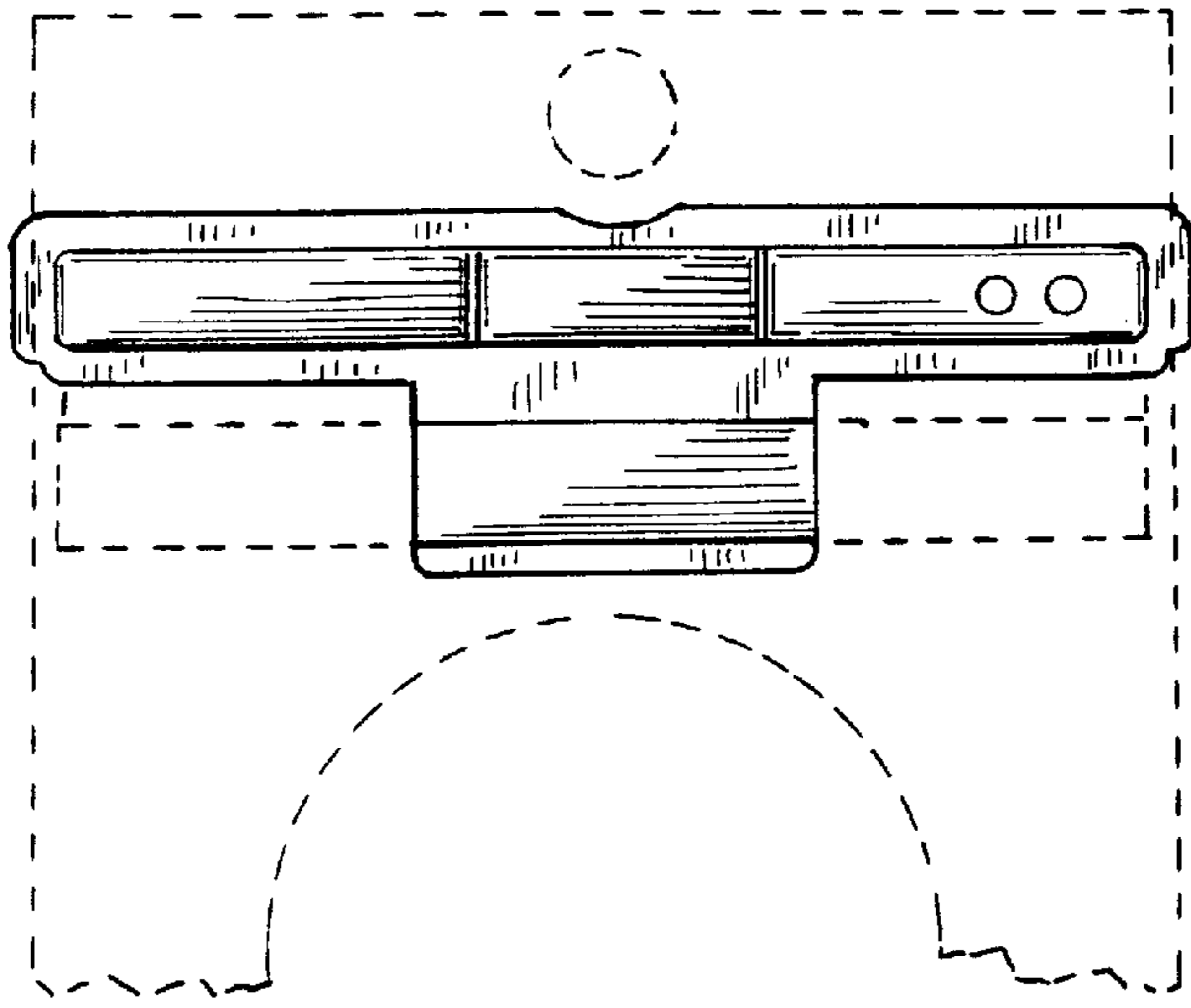


FIG. 2

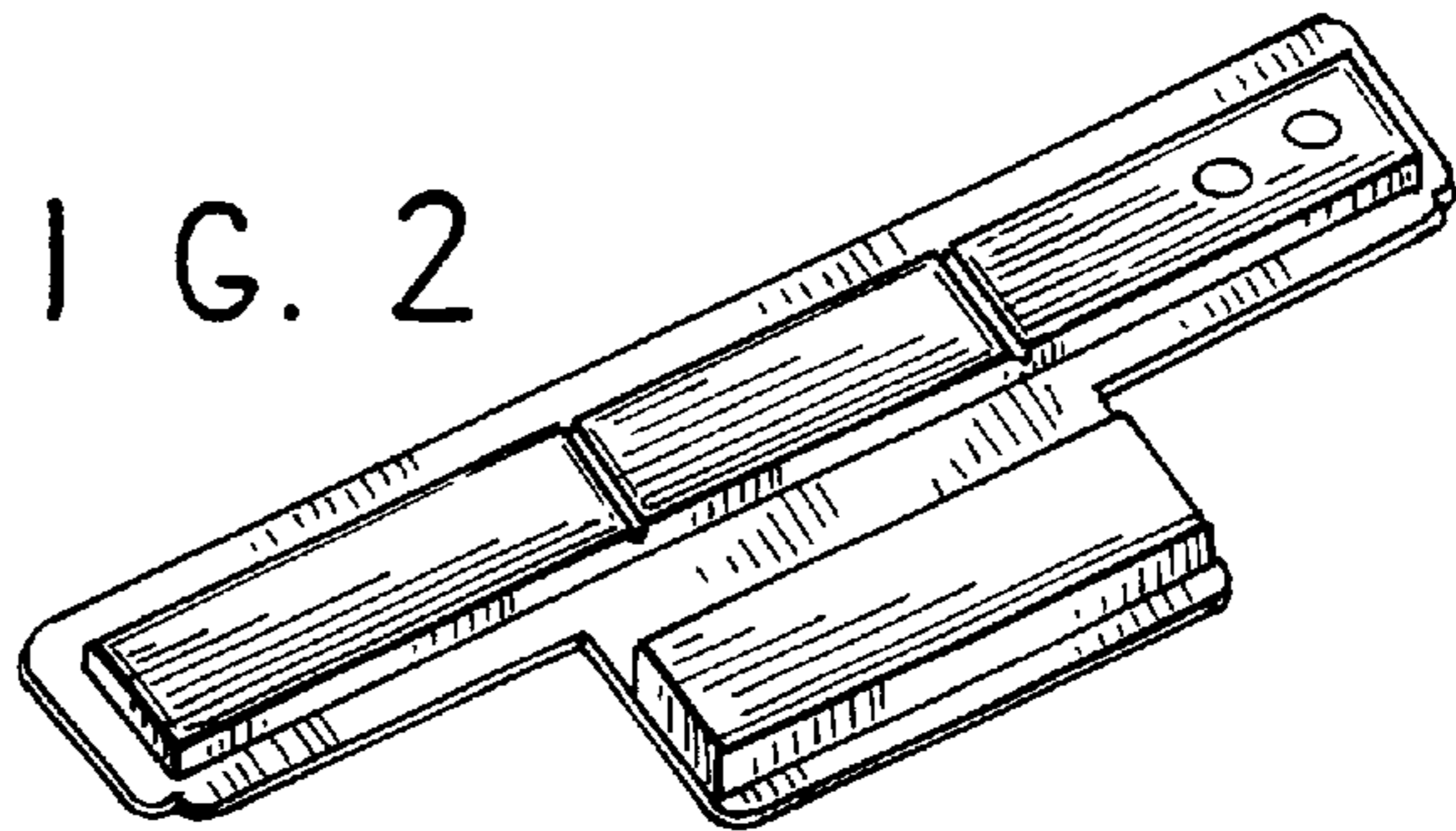


FIG. 3

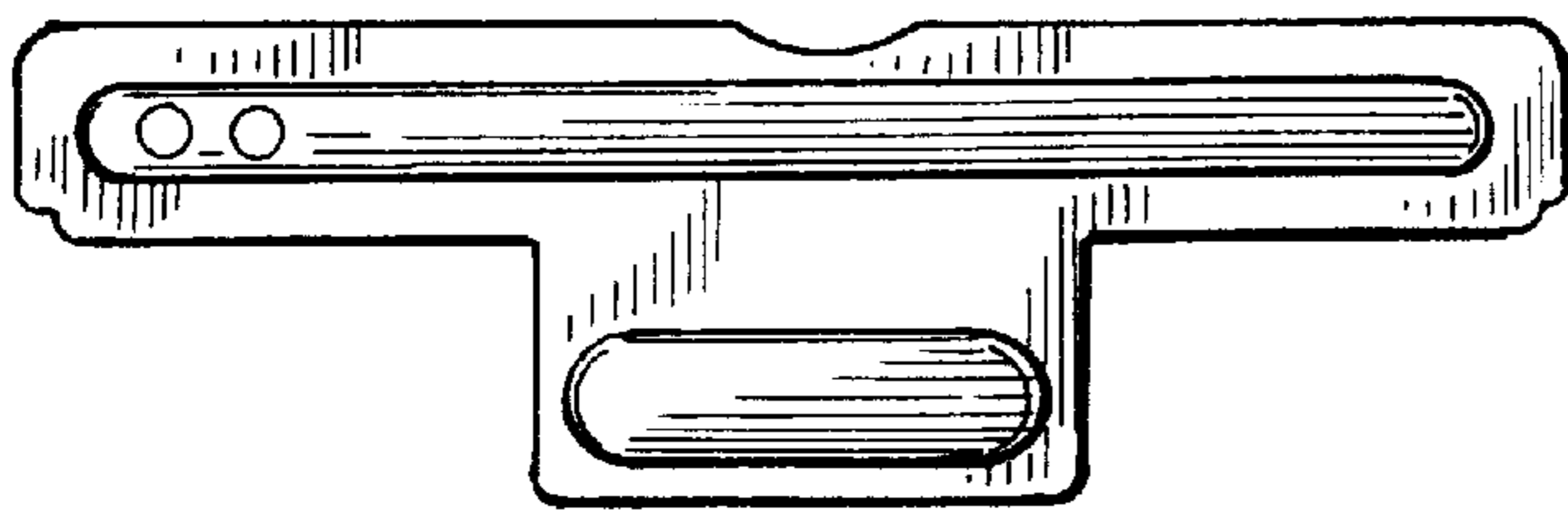


FIG. 4

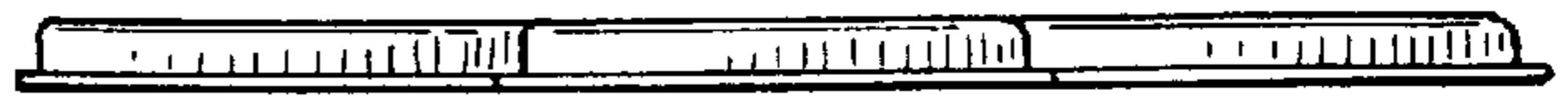


FIG. 6



FIG. 5



FIG. 7

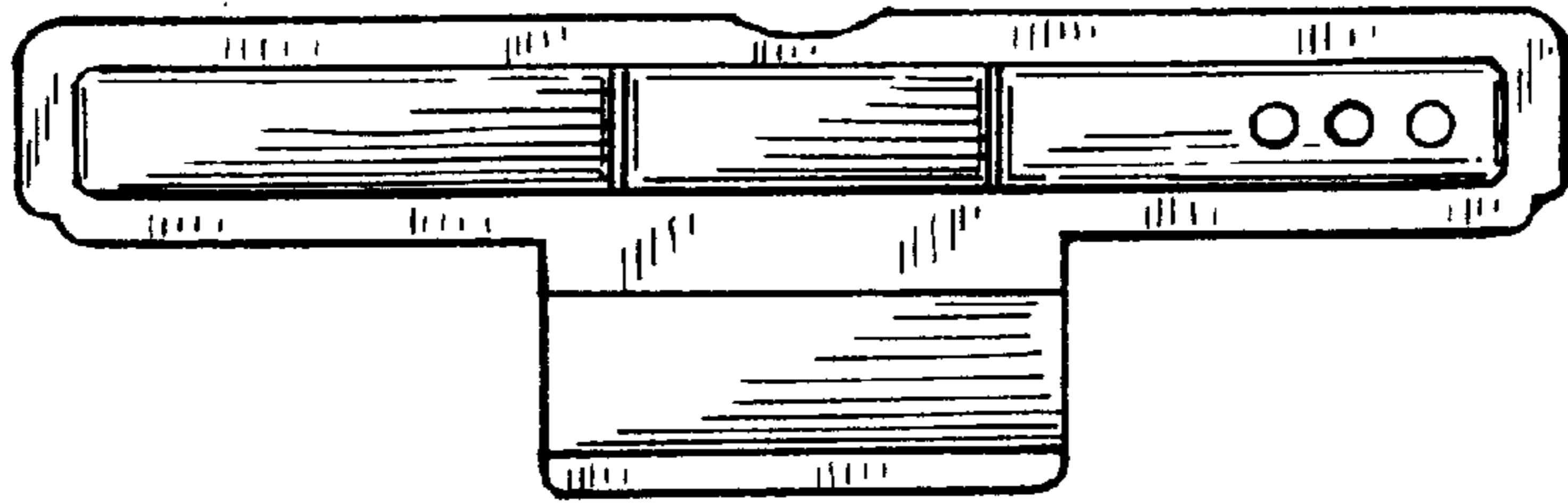


FIG. 8

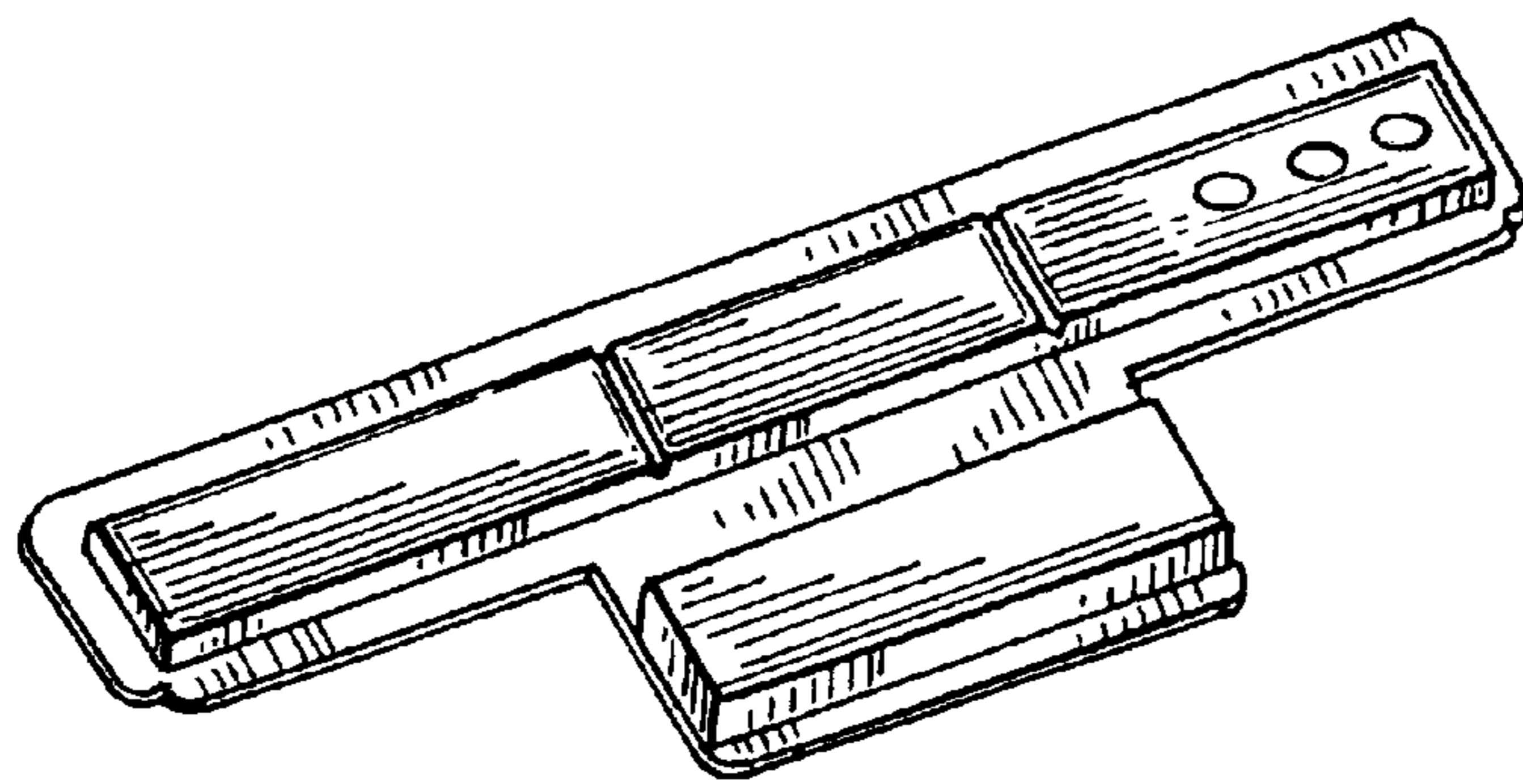


FIG. 9

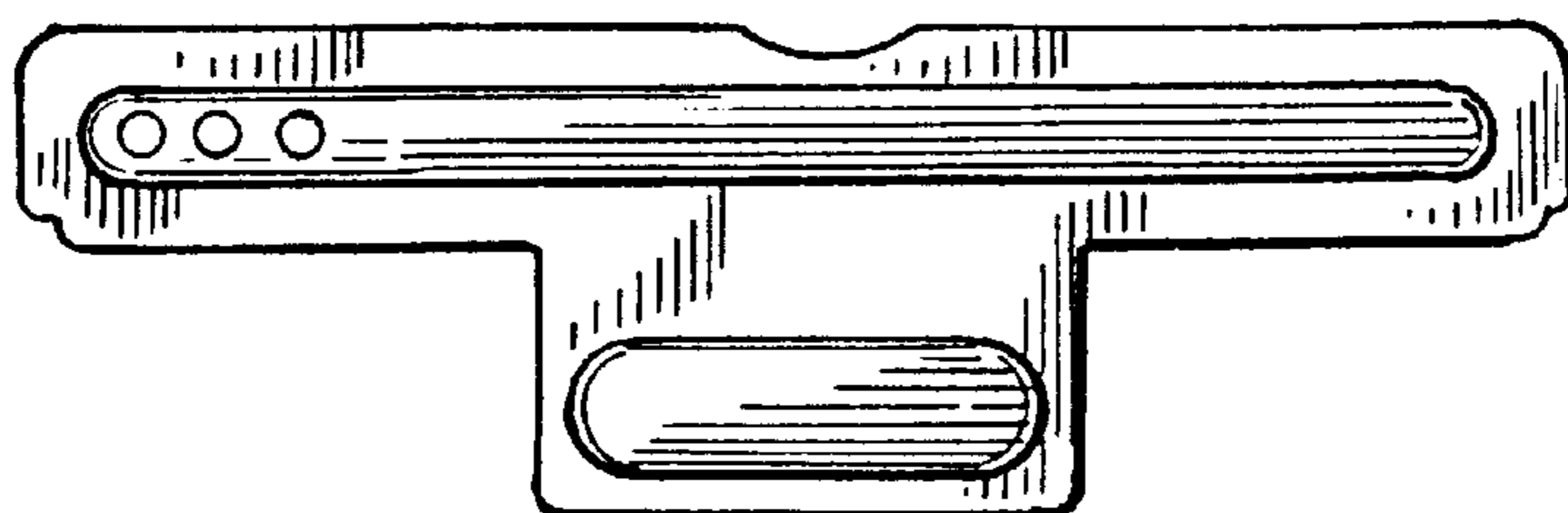


FIG. 10

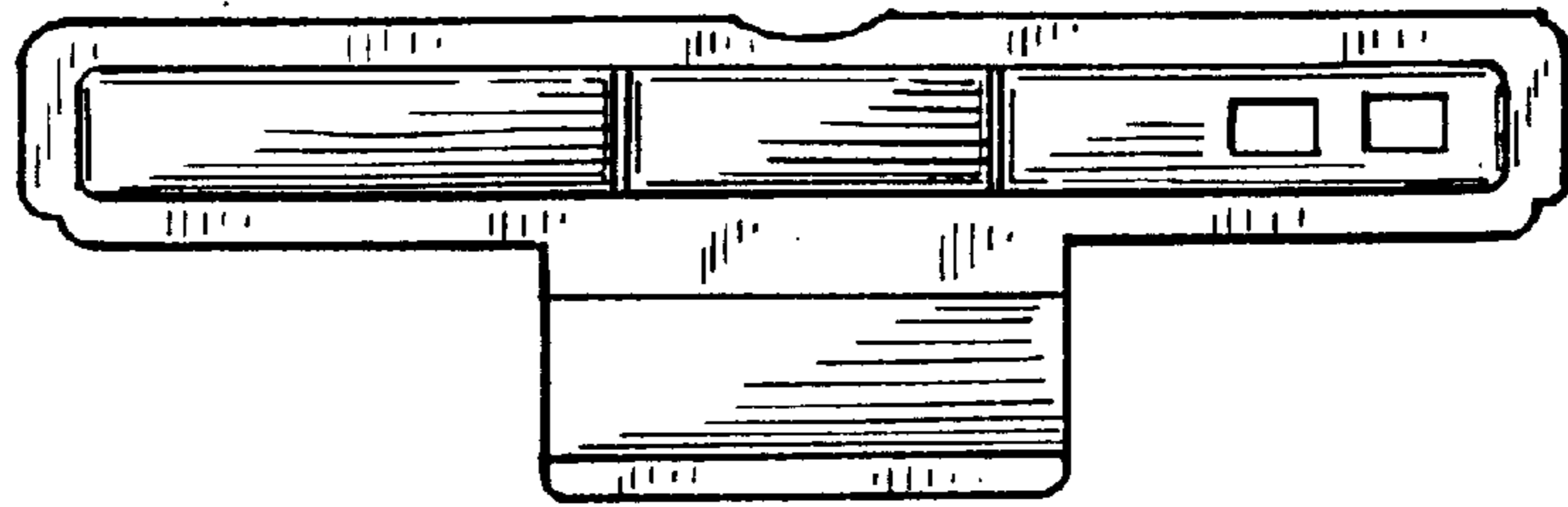


FIG. 11

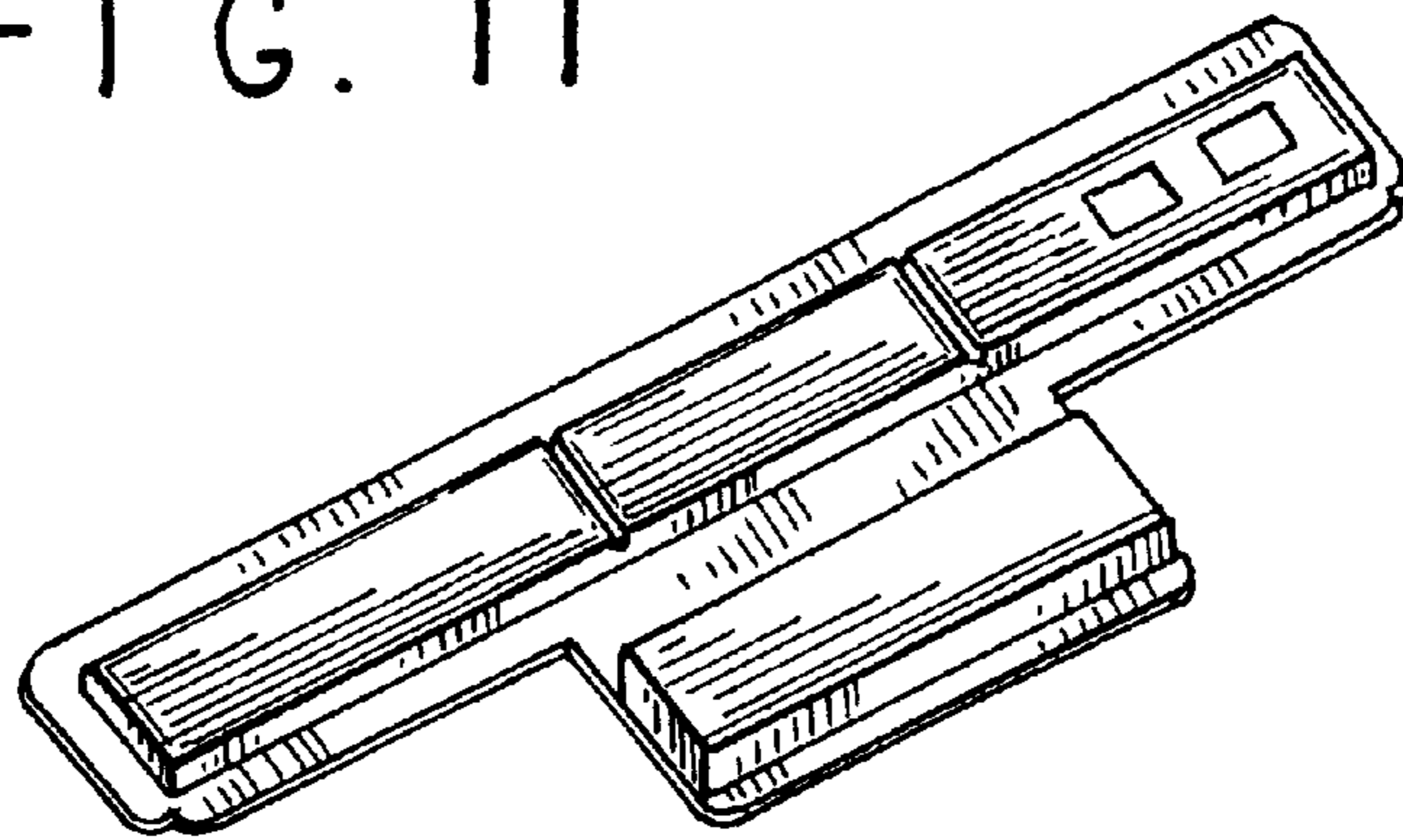


FIG. 12

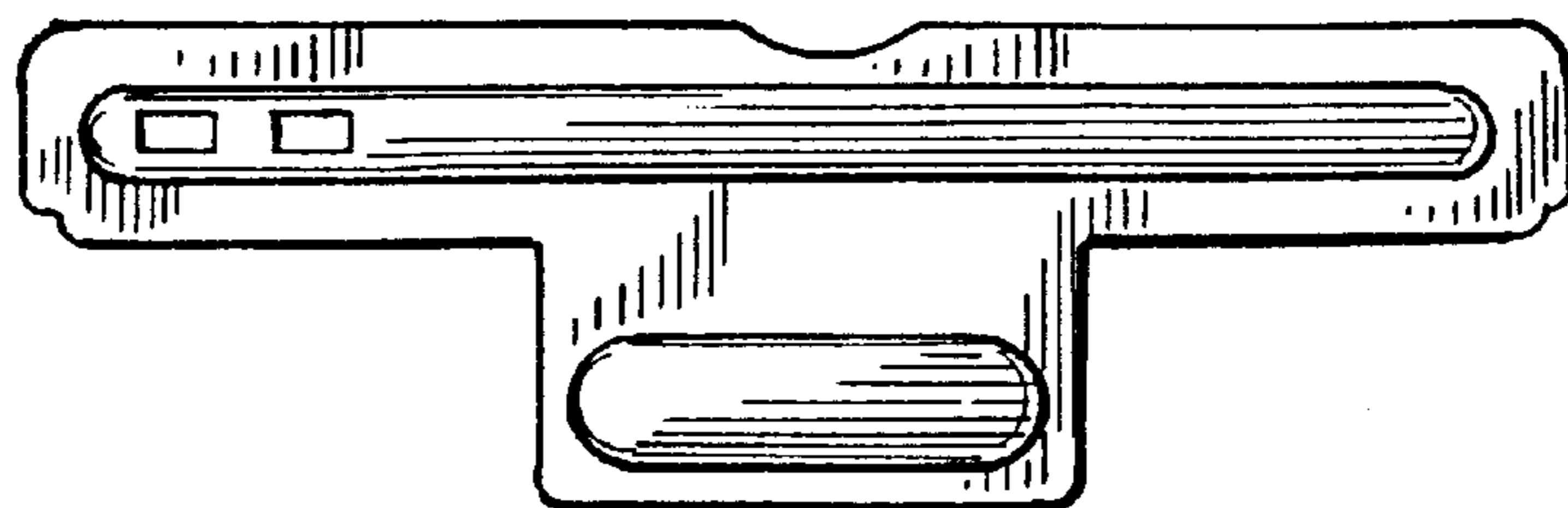


FIG. 13

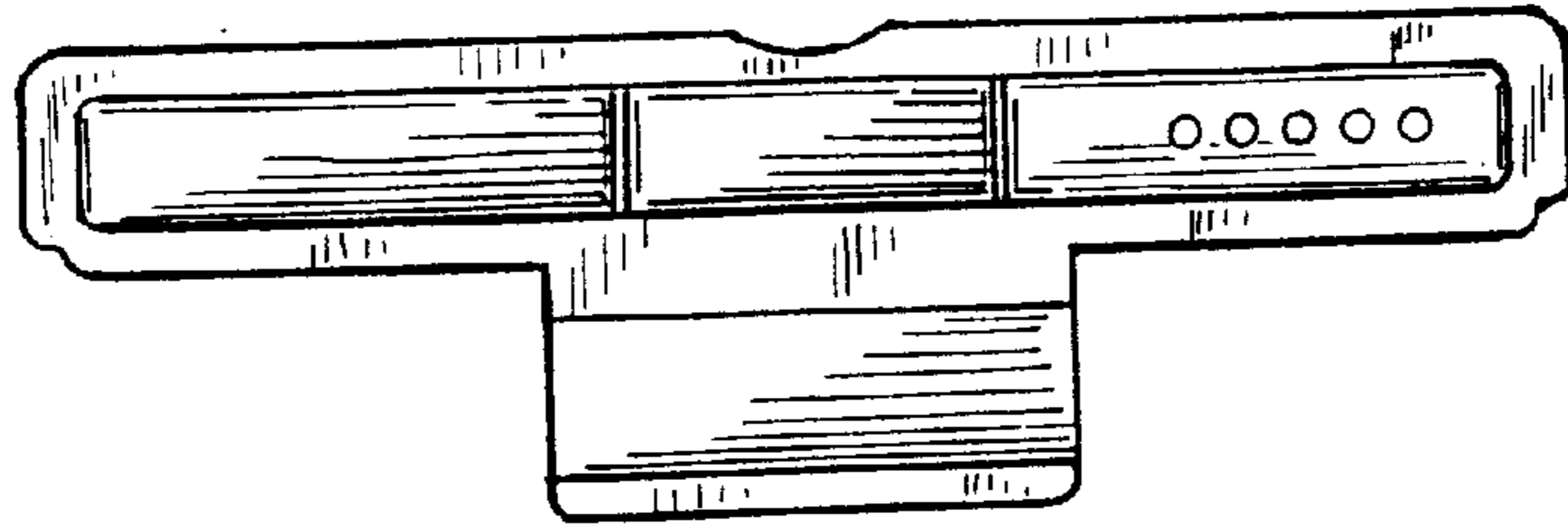


FIG. 14

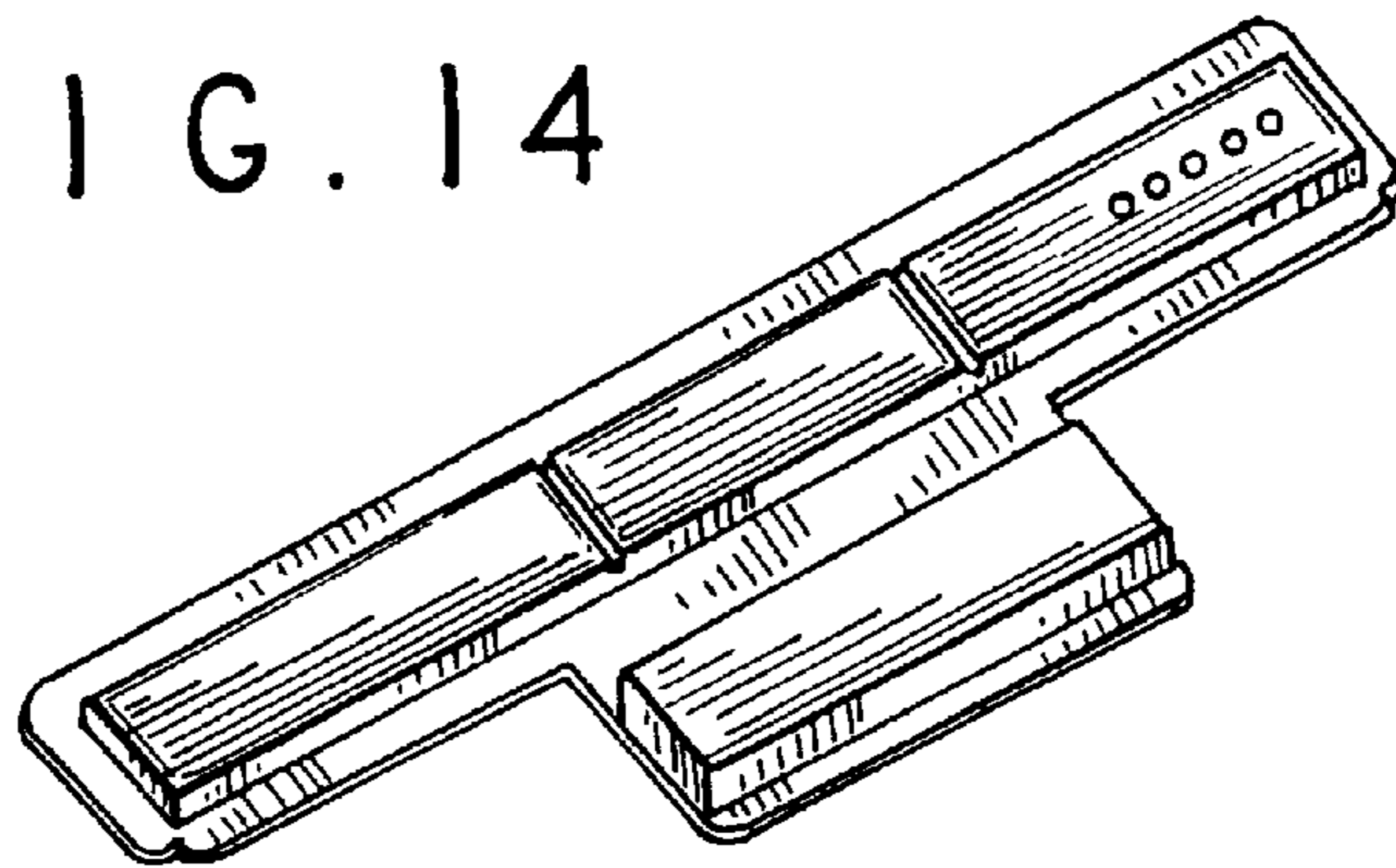


FIG. 15

