



US00D423699S

United States Patent [19] Hayashi

[11] **Patent Number: Des. 423,699**

[45] **Date of Patent: ** Apr. 25, 2000**

[54] **HEADLIGHT**

D. 382,659 8/1997 Kaloustian D26/28
D. 388,897 1/1998 Tomforde et al. D26/28

[75] Inventor: **Kouichi Hayashi**, Hiroshima, Japan

[73] Assignee: **Mazda Motor Corporation**,
Hiroshima-ken, Japan

Primary Examiner—Susan J. Lucas
Attorney, Agent, or Firm—Sidley & Austin; Hugh A. Abrams

[**] Term: **14 Years**

[57] CLAIM

[21] Appl. No.: **29/086,471**

The ornamental design for a headlight, as shown and described.

[22] Filed: **Apr. 14, 1998**

[30] Foreign Application Priority Data

DESCRIPTION

Feb. 27, 1998 [JP] Japan 10-5666

[51] **LOC (6) Cl.** **26-06**

[52] **U.S. Cl.** **D26/28; D26/36**

[58] **Field of Search** D26/28-36; 362/41,
362/43, 459, 464, 485, 486, 487, 493, 496,
498, 538, 540, 542

FIG. 1 is a perspective view of a headlight;
FIG. 2 is a front view of the headlight;
FIG. 3 is a rear view of the headlight;
FIG. 4 is a top view of the headlight;
FIG. 5 is a bottom view of the headlight;
FIG. 6 is a left side view of the headlight; and,
FIG. 7 is a right side view of the headlight.

[56] References Cited

U.S. PATENT DOCUMENTS

D. 372,994 8/1996 Ziaylek, Jr. et al. D26/28

1 Claim, 4 Drawing Sheets

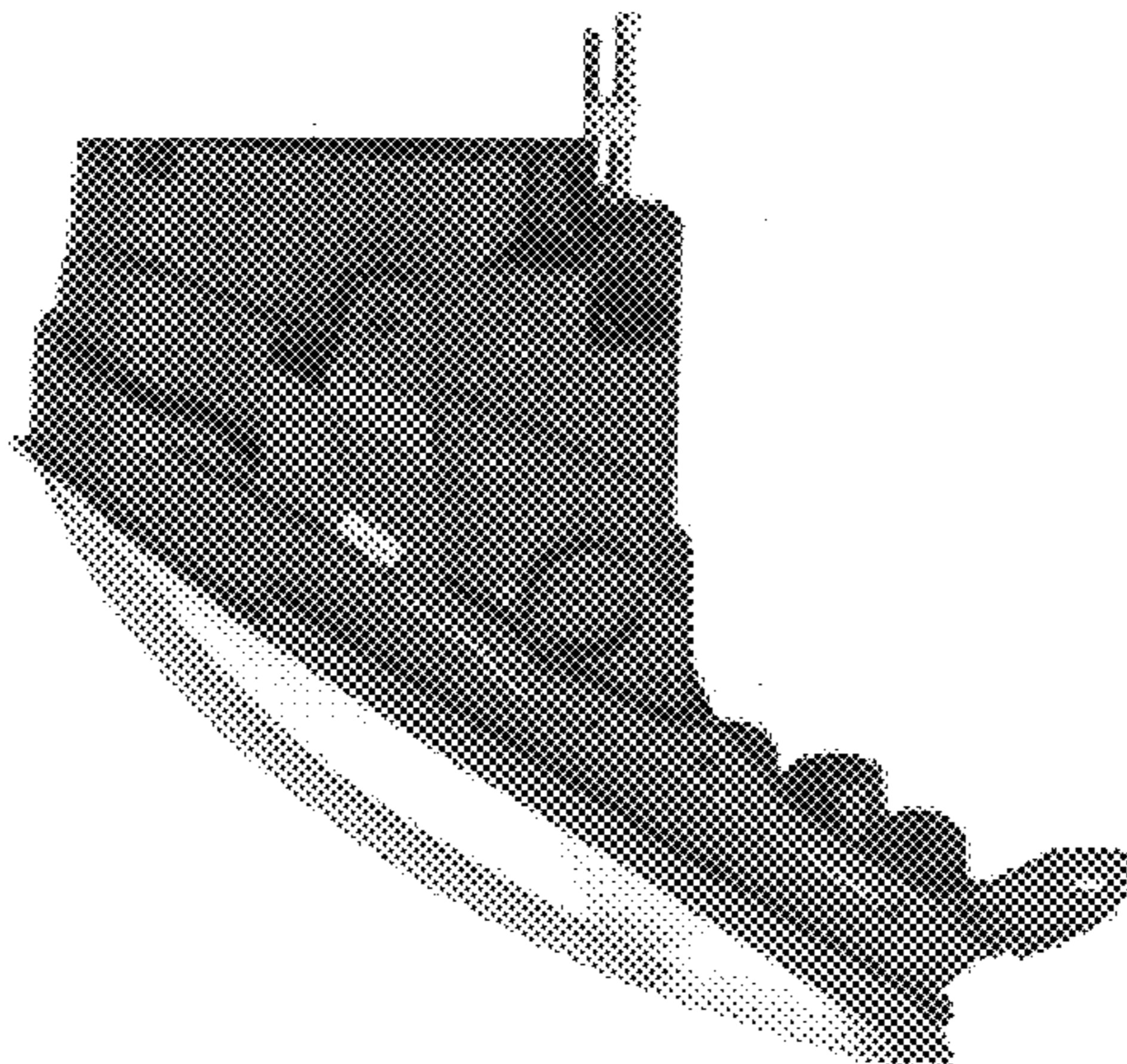
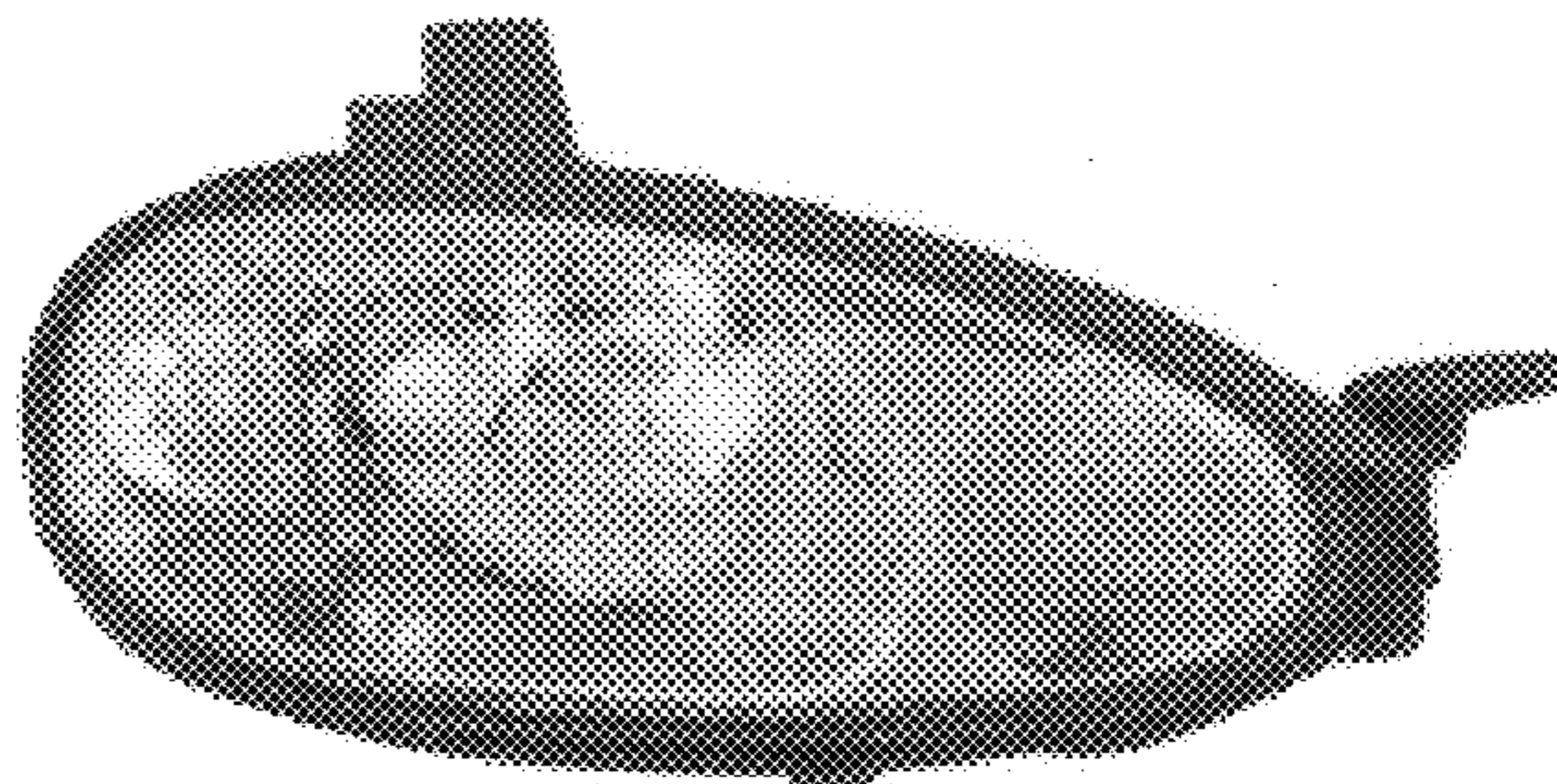
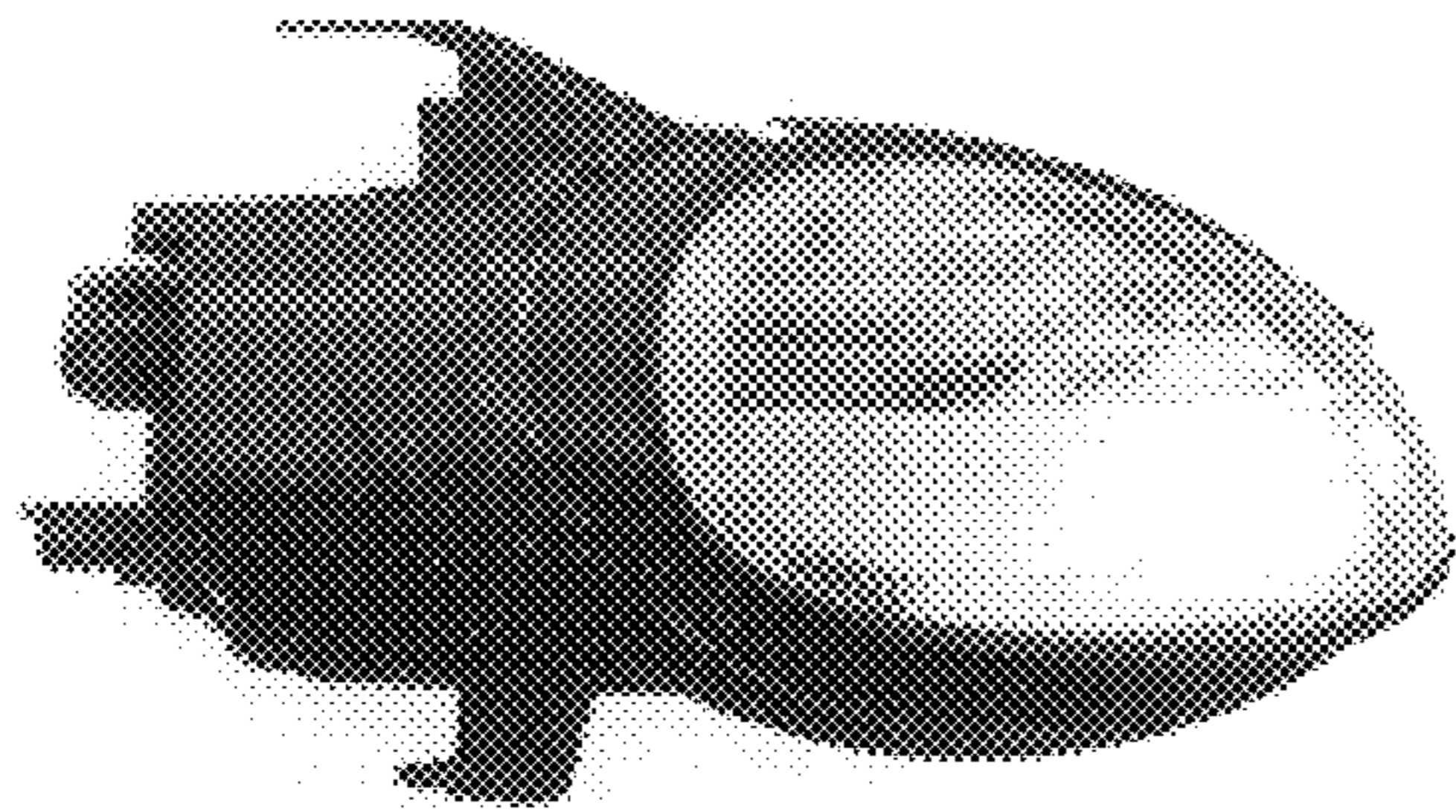


FIG. 1

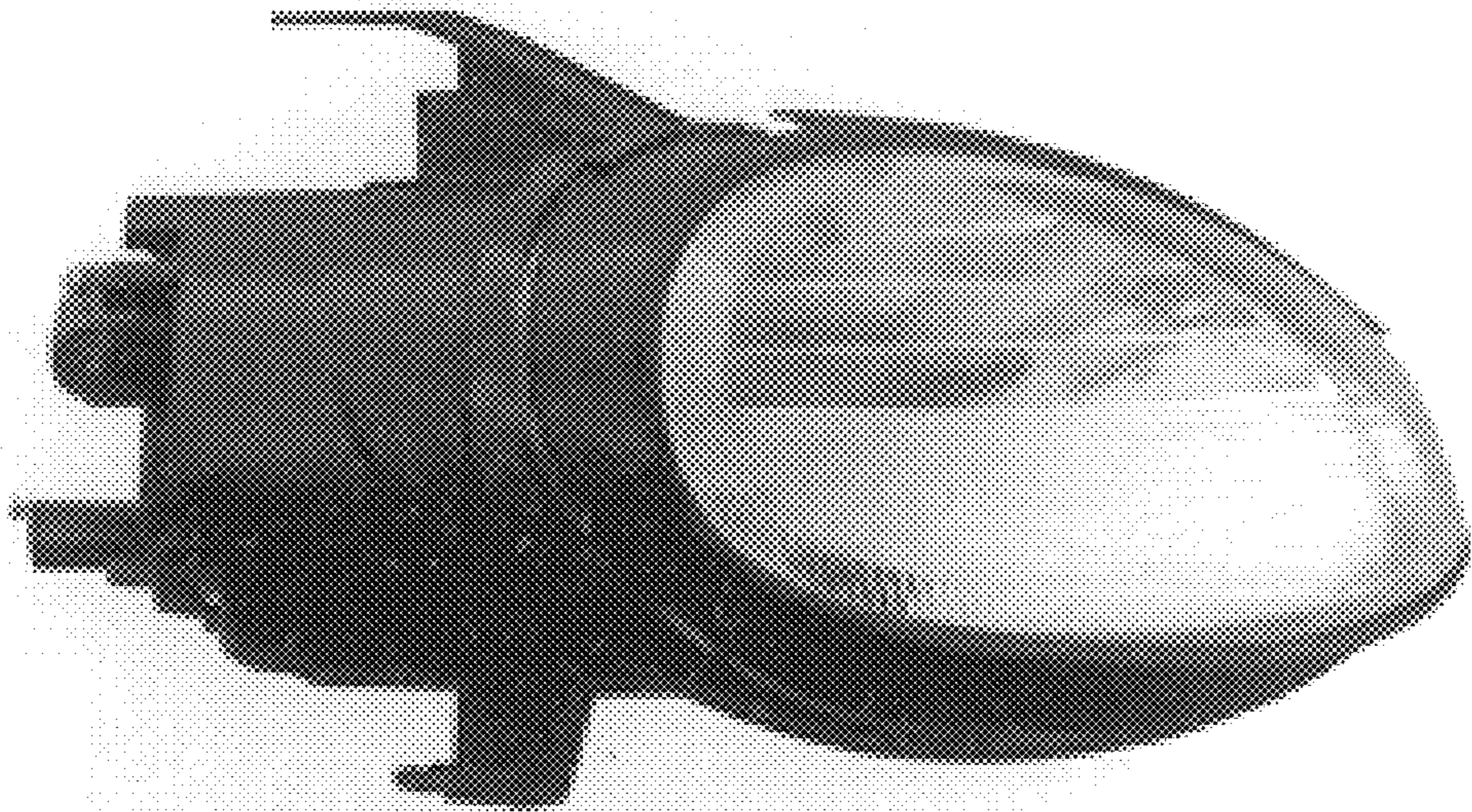


FIG. 2

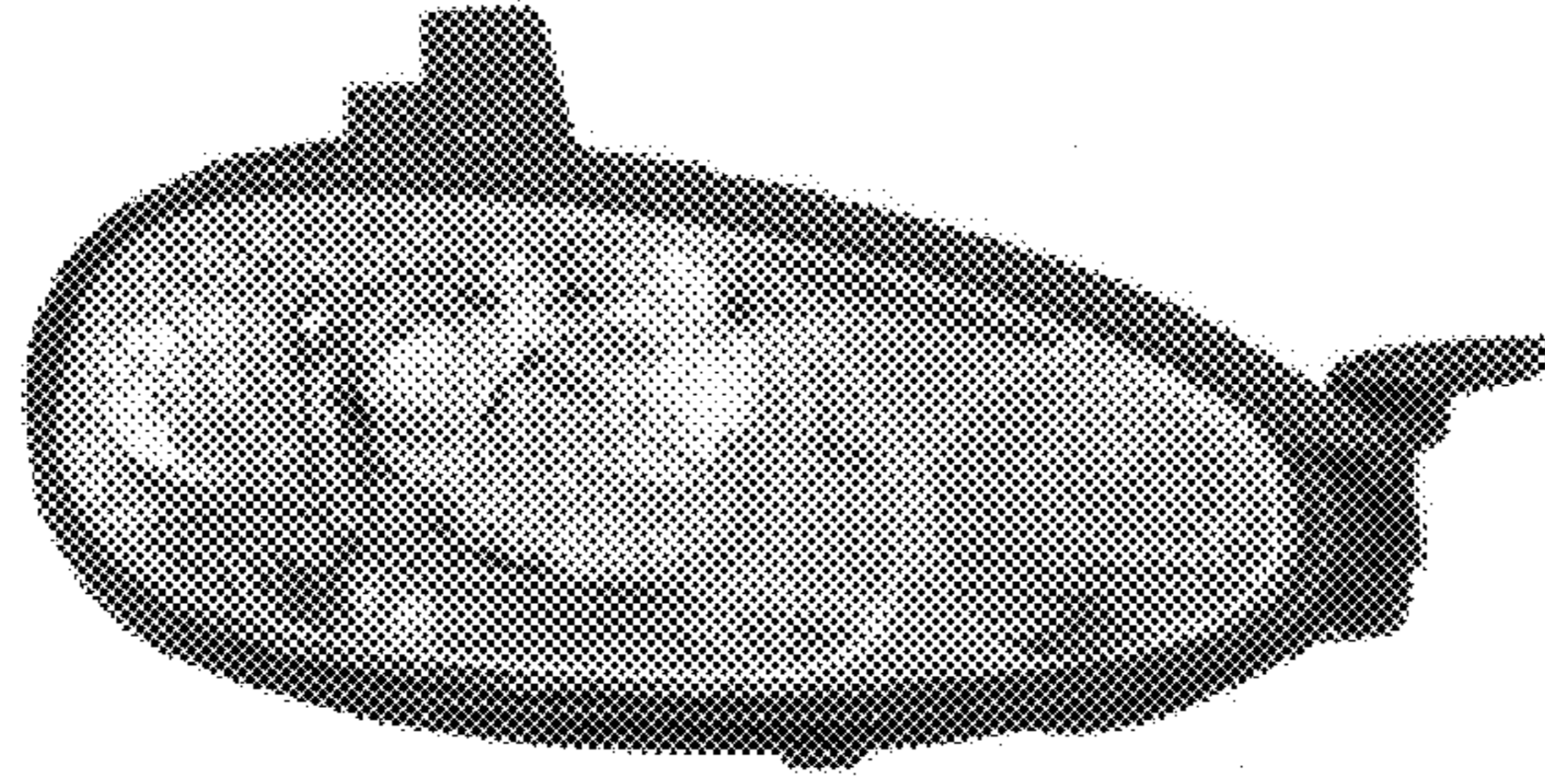


FIG. 3

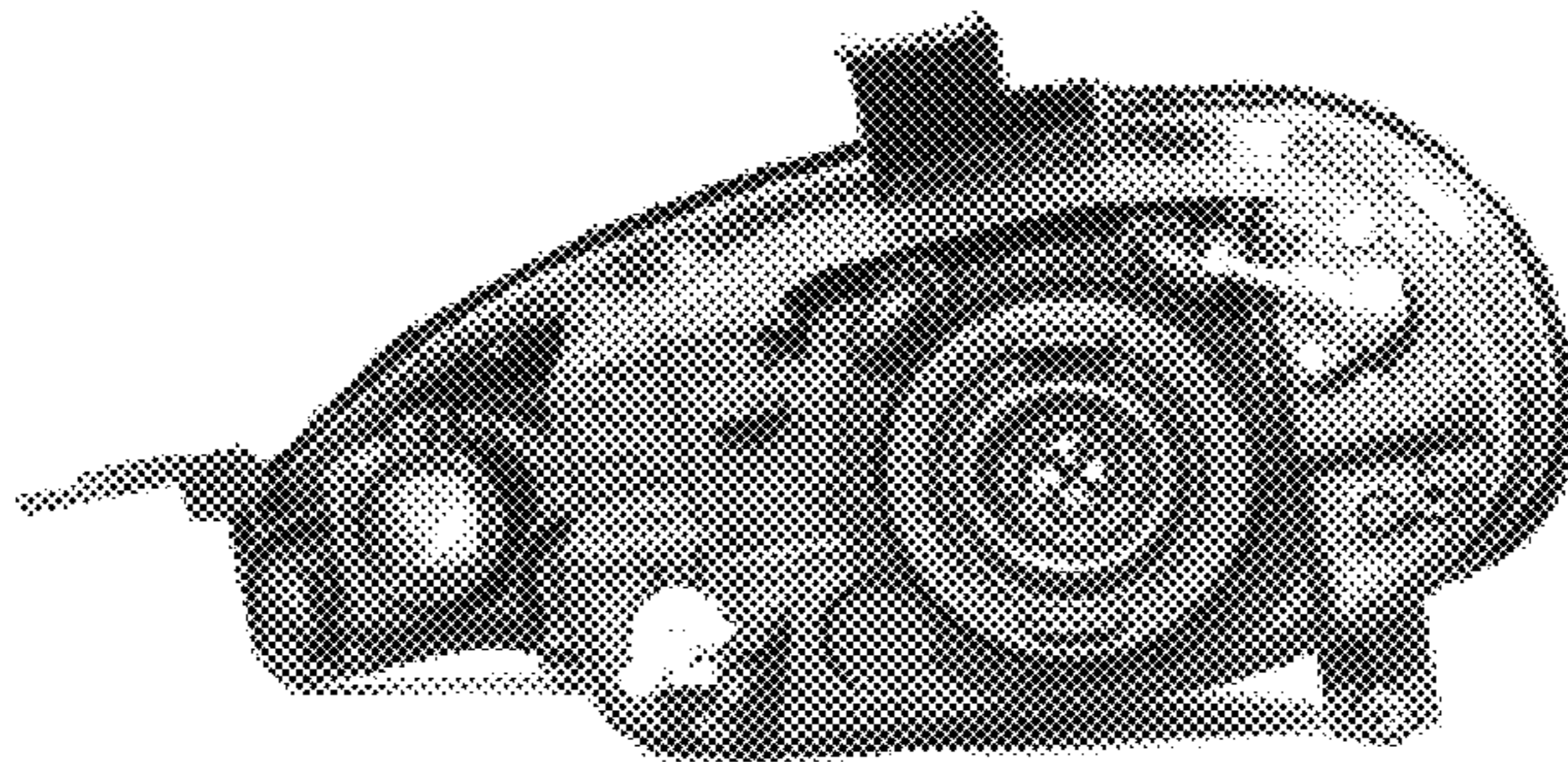


FIG. 4

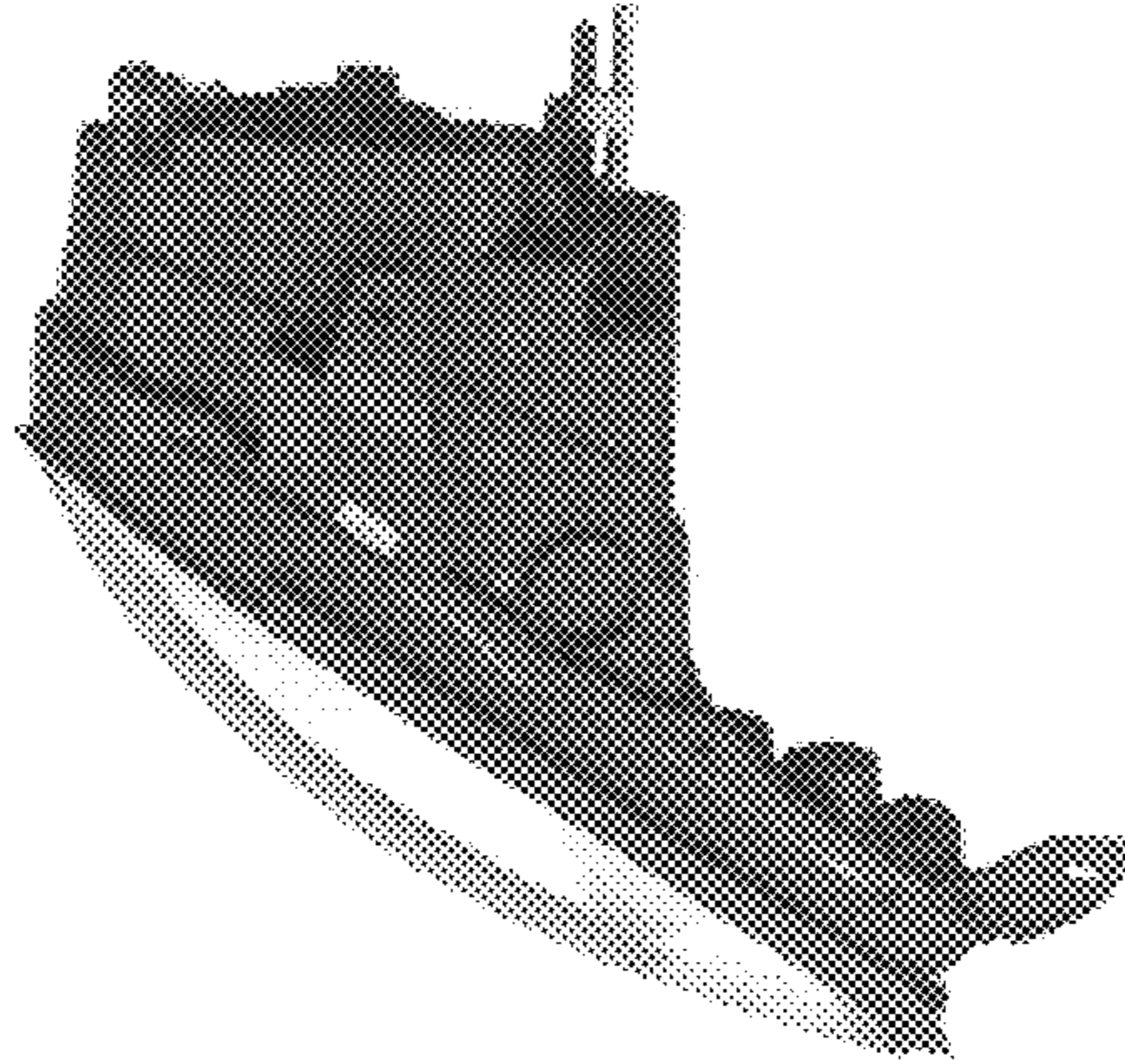


FIG. 5

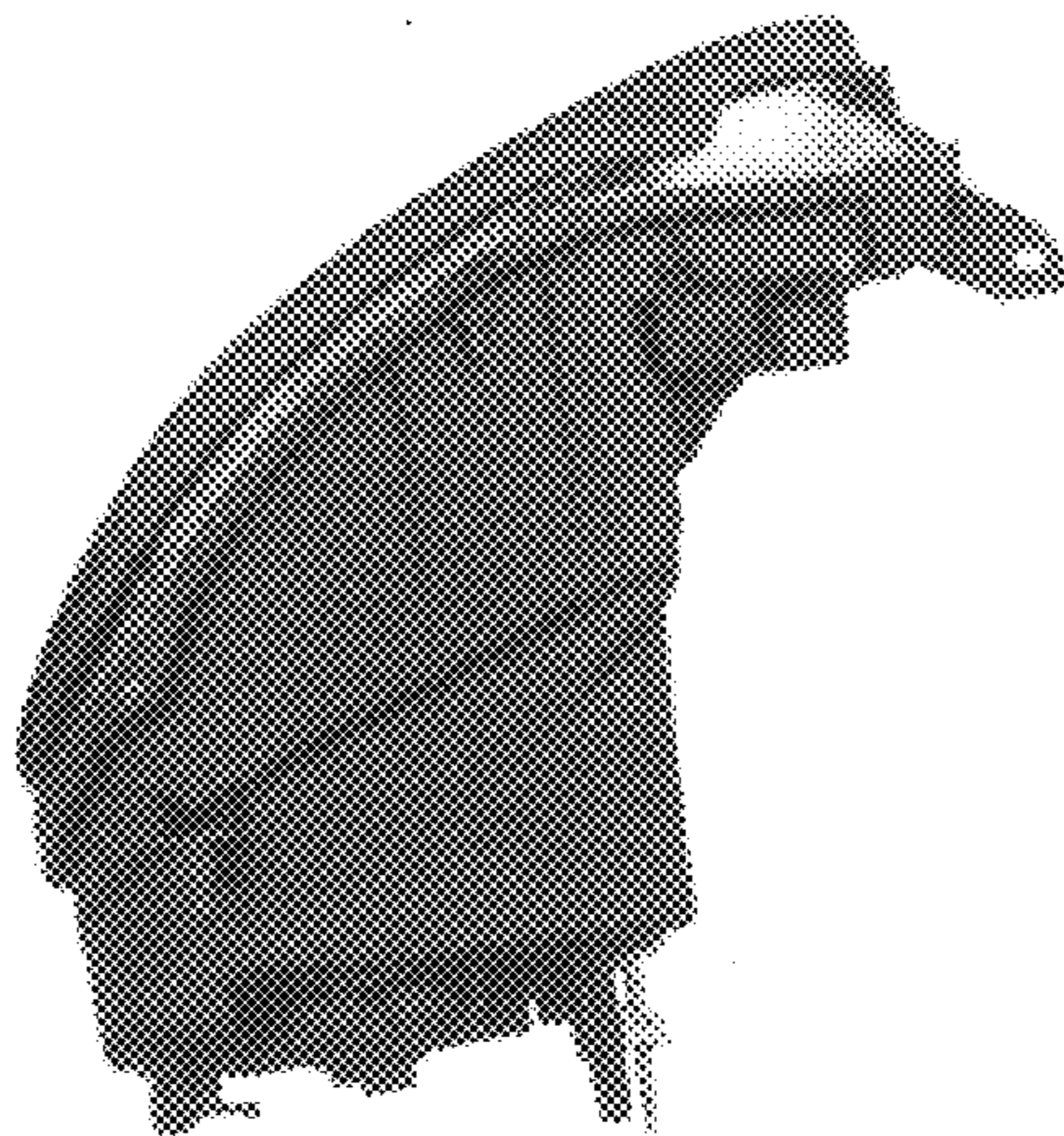


FIG. 6

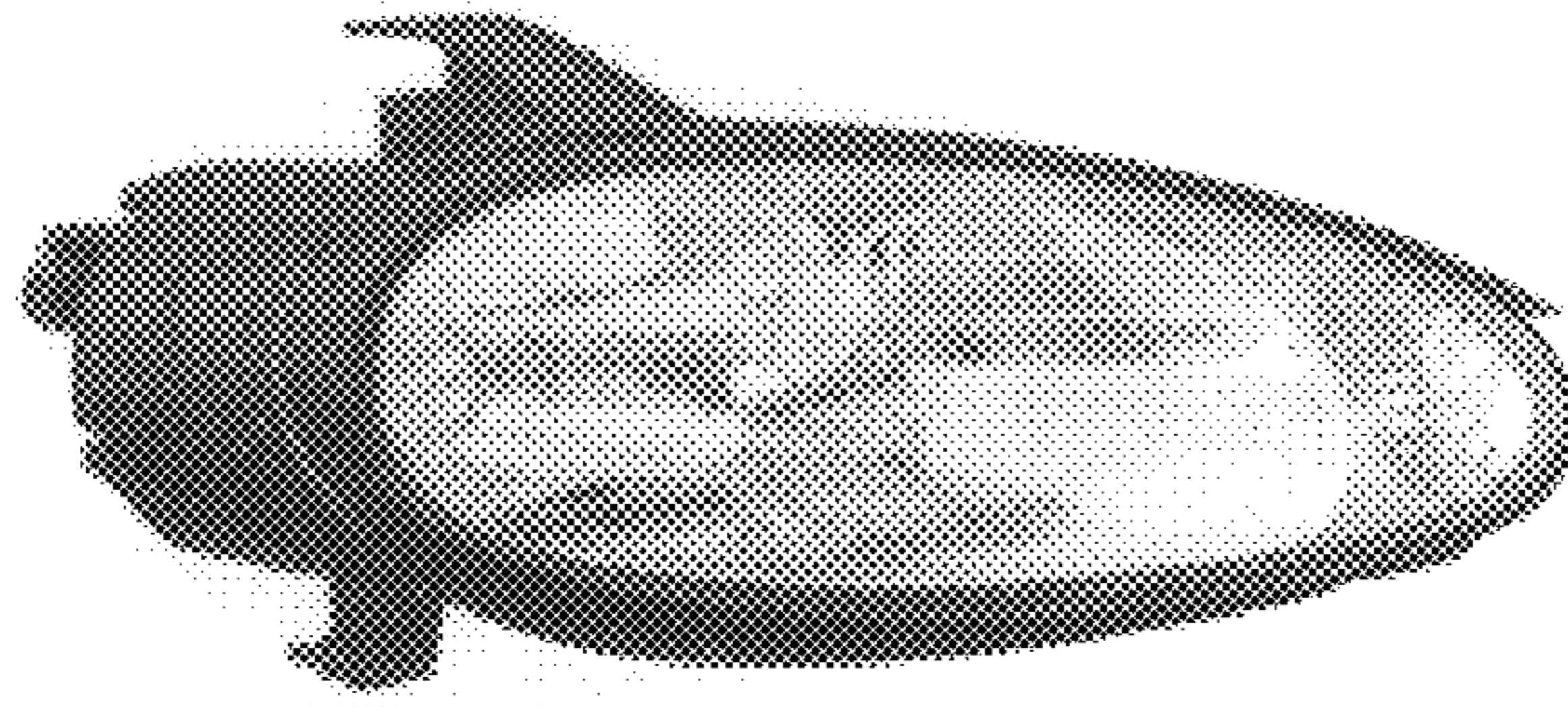


FIG. 7

