



US00D423693S

# United States Patent [19]

[11] Patent Number: **Des. 423,693**

Toscano et al.

[45] Date of Patent: **\*\* Apr. 25, 2000**

[54] MELON CANDLE JAR

[75] Inventors: **June Toscano; Kirsten Klett**, both of Reynoldsburg; **Melissa Y. Rodrigo**, Worthington, all of Ohio

[73] Assignee: **Bath & Body Works, Inc.**, Reynoldsburg, Ohio

[\*\*] Term: **14 Years**

[21] Appl. No.: **29/105,439**

[22] Filed: **May 25, 1999**

[51] LOC (6) Cl. .... **26-04**

[52] U.S. Cl. .... **D26/7**

[58] Field of Search ..... D26/6, 7, 9-13, D26/16; D9/500, 503; D1/102; 431/288-9, 125-6; 215/273

3,744,956	7/1973	Hess .
3,947,232	3/1976	Foster .
3,998,922	12/1976	Weiss .
4,017,729	4/1977	Frazier, Jr. .
4,224,017	9/1980	Kayne .
4,225,552	9/1980	Chang .
4,304,547	12/1981	Buzil .
4,427,366	1/1984	Moore .
4,826,428	5/1989	Lam .
4,931,014	6/1990	Scott et al. .
5,395,233	3/1995	Karp .
5,605,765	2/1997	Rudick .
5,632,615	5/1997	DeGarmo .
5,762,487	6/1998	Kujawski .
5,879,151	3/1999	Schultz et al. .
5,879,694	3/1999	Morrison et al. .
5,910,005	6/1999	Scherr .
5,927,964	7/1999	Fawcett .
5,927,965	7/1999	Pappas .
5,951,278	7/1999	Young et al. .

### OTHER PUBLICATIONS

Harry and David Christmas catalog; The Sunshine Assortment; p. 38; design digest, 1993. Photograph of Candle Products.

*Primary Examiner*—Robin V. Taylor  
*Attorney, Agent, or Firm*—Colucci & Umans

### [56] References Cited

#### U.S. PATENT DOCUMENTS

Re. 18,623	10/1932	Root .	
D. 111,775	10/1938	Seaver .	
218,687	8/1879	Richardson .	
D. 231,135	4/1974	Marcum .....	D26/7
248,098	10/1881	House .	
D. 260,381	8/1981	Adkins .	
D. 266,594	10/1982	Sarpaneva .	
D. 380,057	6/1997	Lukasik .	
D. 380,417	7/1997	Hardy .....	D26/16
D. 387,446	12/1997	Bell et al. .	
D. 388,892	1/1998	Ratia .	
D. 407,164	3/1999	Bell et al. .	
D. 411,891	6/1999	Bell et al. .	
792,841	6/1905	Nolte .	
1,602,346	11/1926	Eller .	
1,628,330	5/1927	Peck et al. .	
2,636,370	4/1953	Kramer .	
3,039,283	6/1962	Buscemi .	
3,254,512	6/1966	Prentice .	
3,327,108	6/1967	Press .	
3,741,711	6/1973	Bryant .	

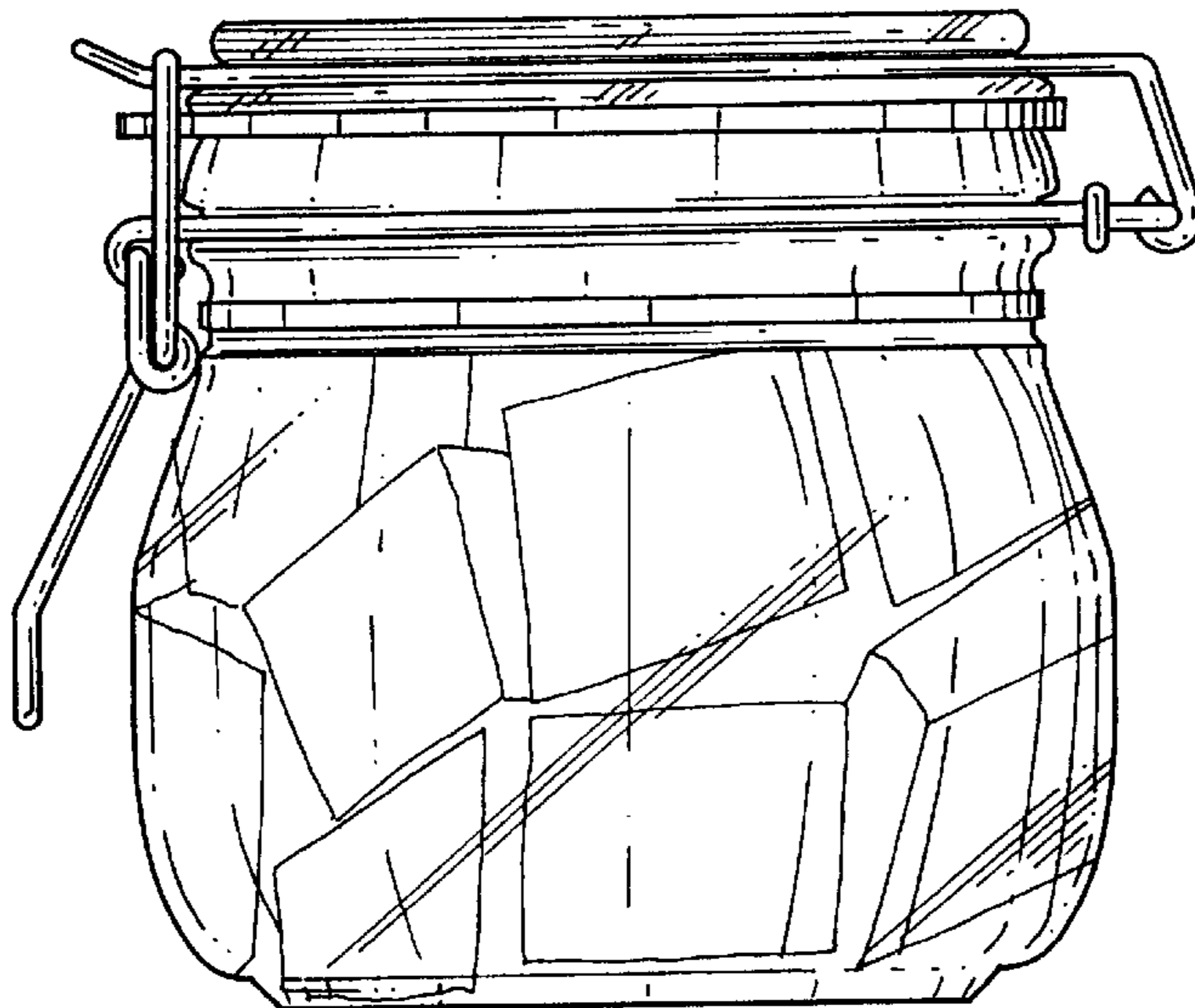
### [57] CLAIM

The ornamental design for a melon candle jar, as shown and described.

### DESCRIPTION

FIG. 1 is a perspective view of the design for a melon candle jar; FIG. 2 is a front plan view thereof; FIG. 3 is a left side view thereof; FIG. 4 is a right side view thereof; FIG. 5 is a top plan view thereof; and, FIG. 6 is a bottom plan view of the above-identified design.

**1 Claim, 3 Drawing Sheets**



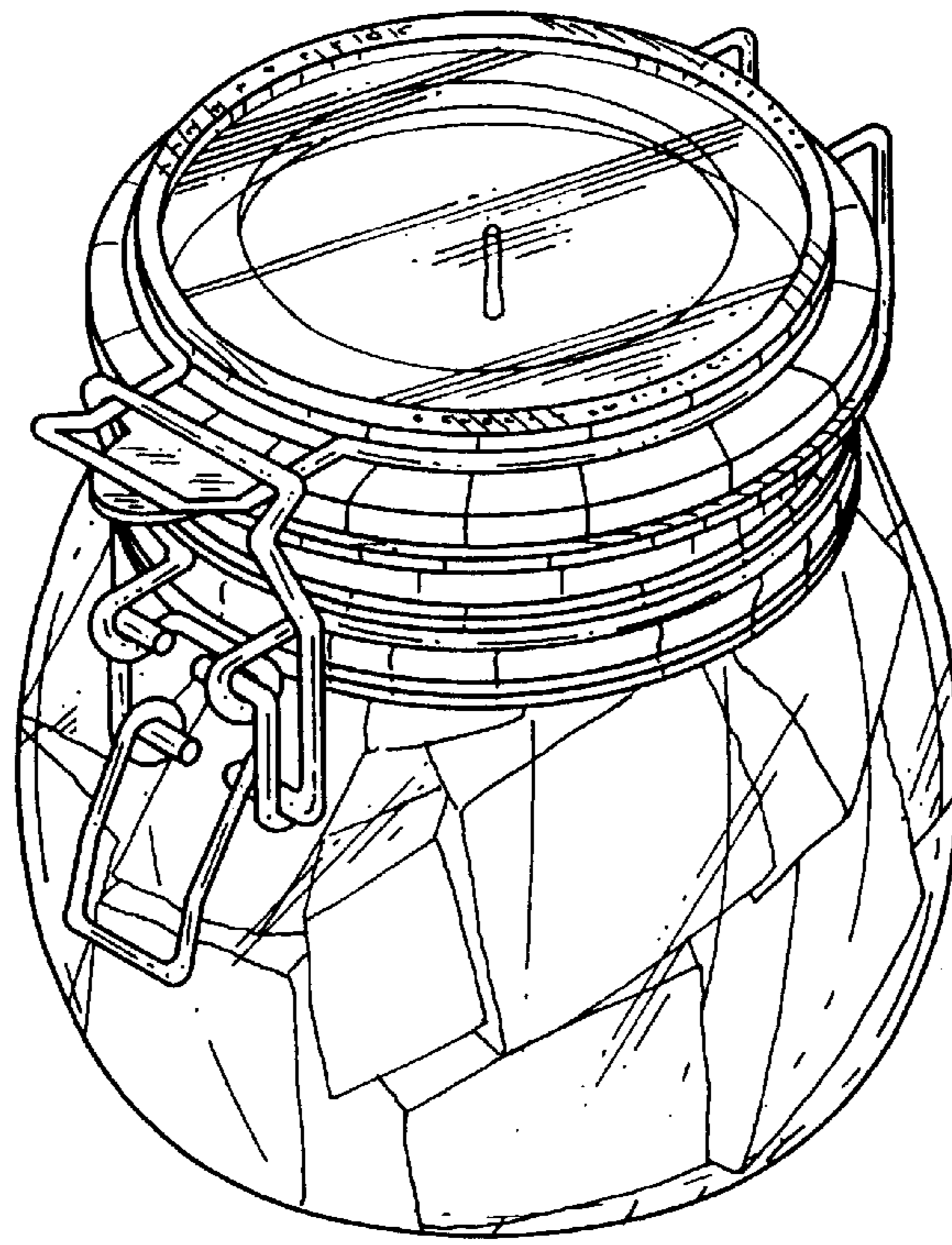


FIG. 1

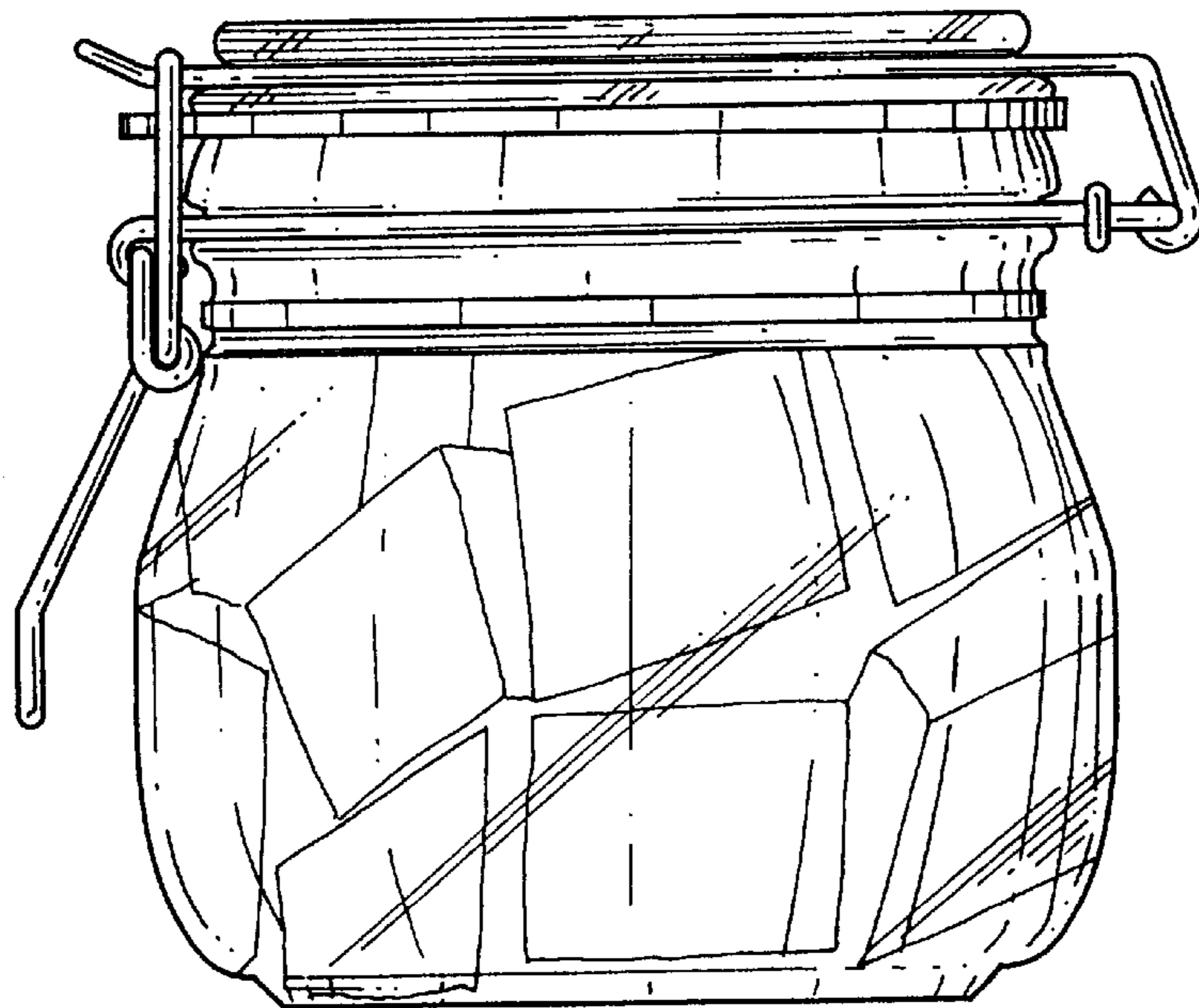


FIG. 2

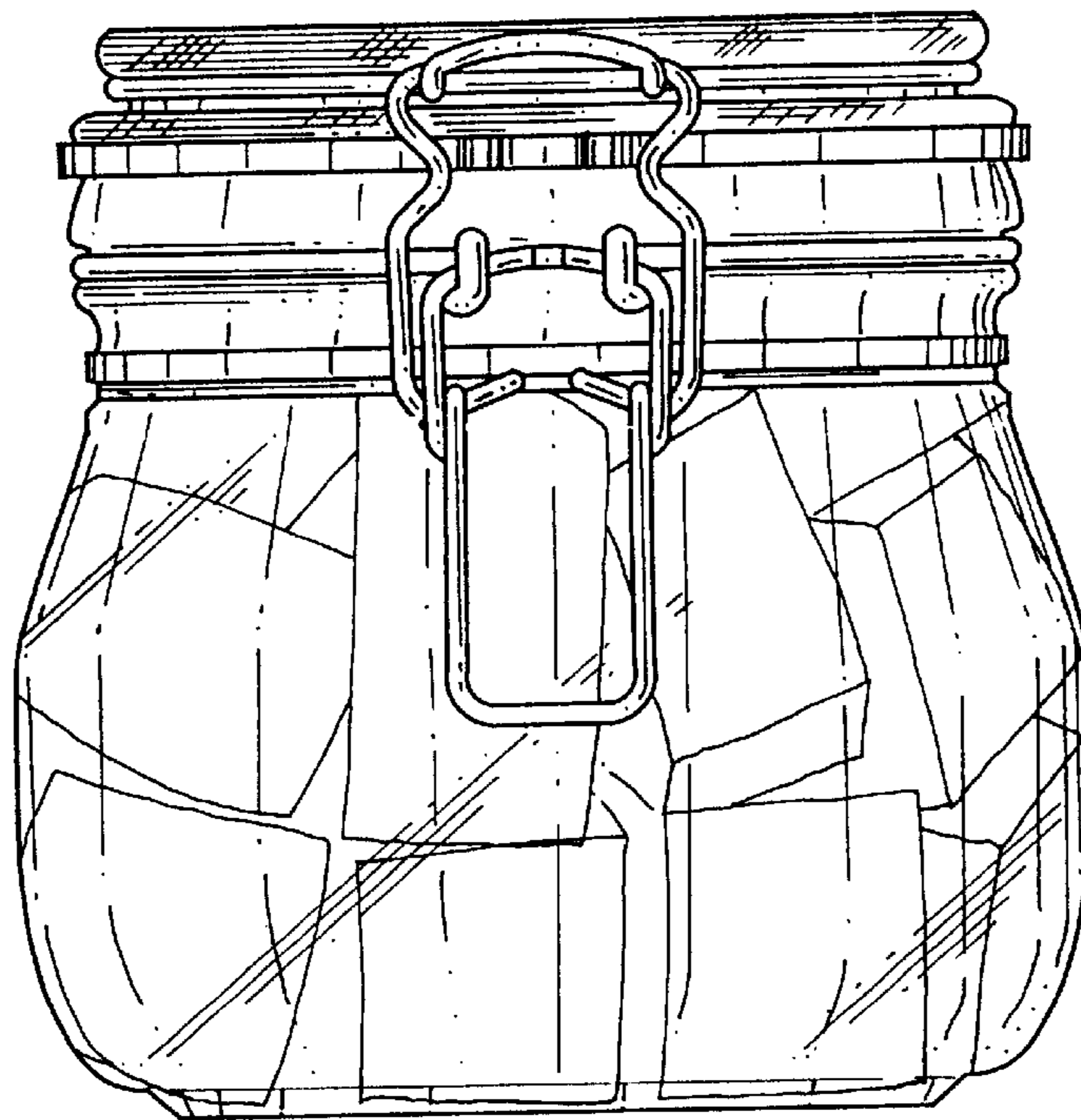


FIG. 3

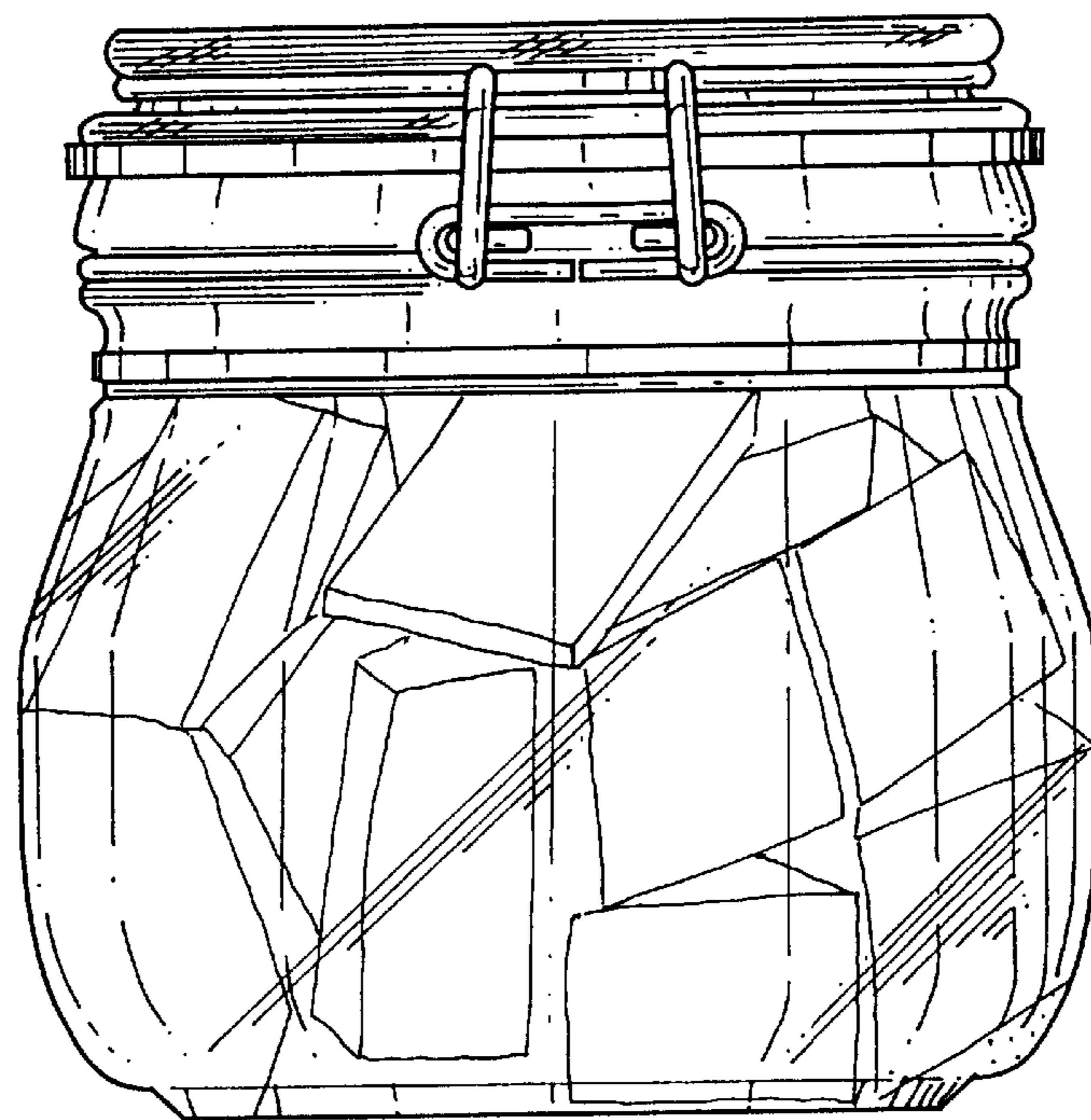


FIG. 4

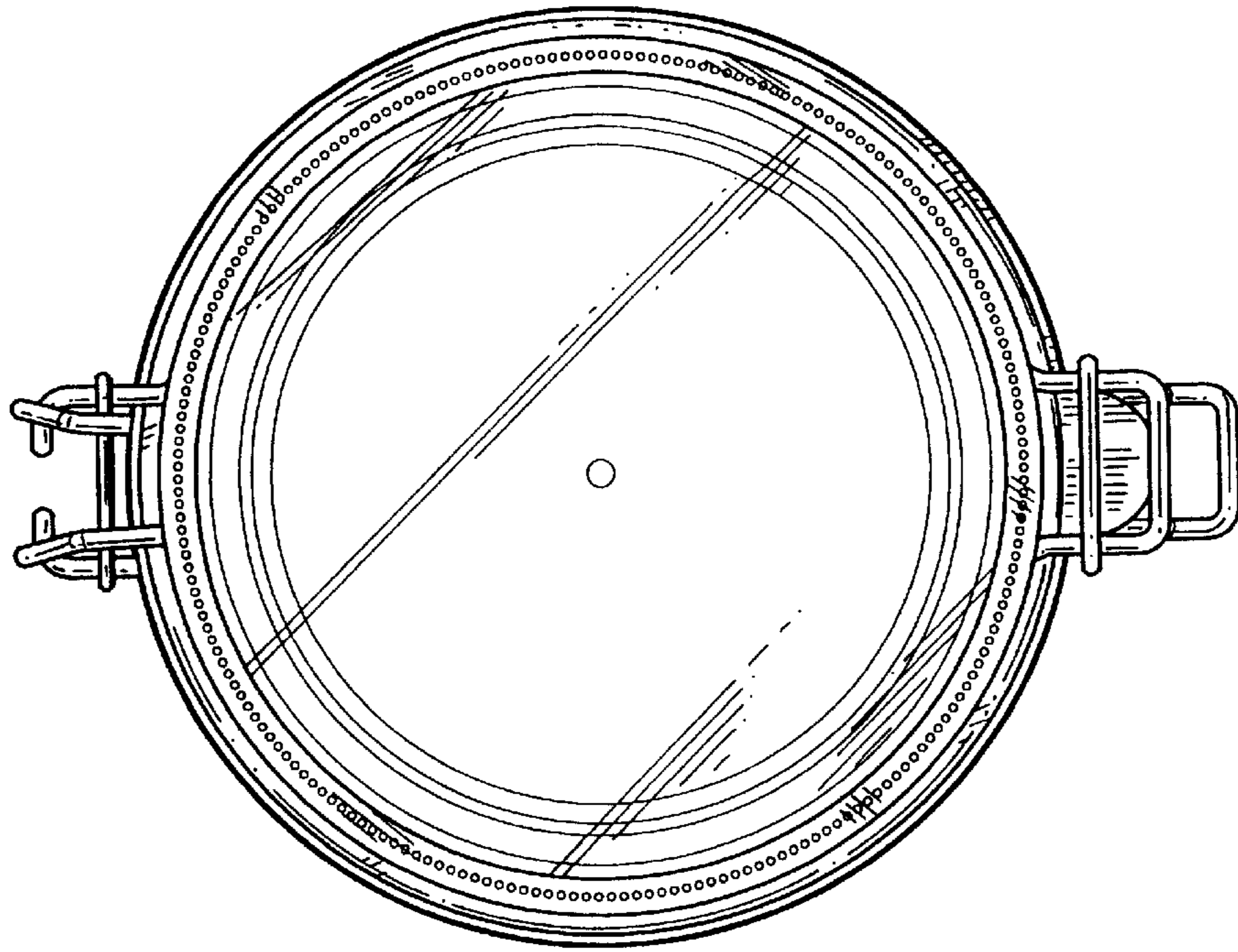


FIG. 5

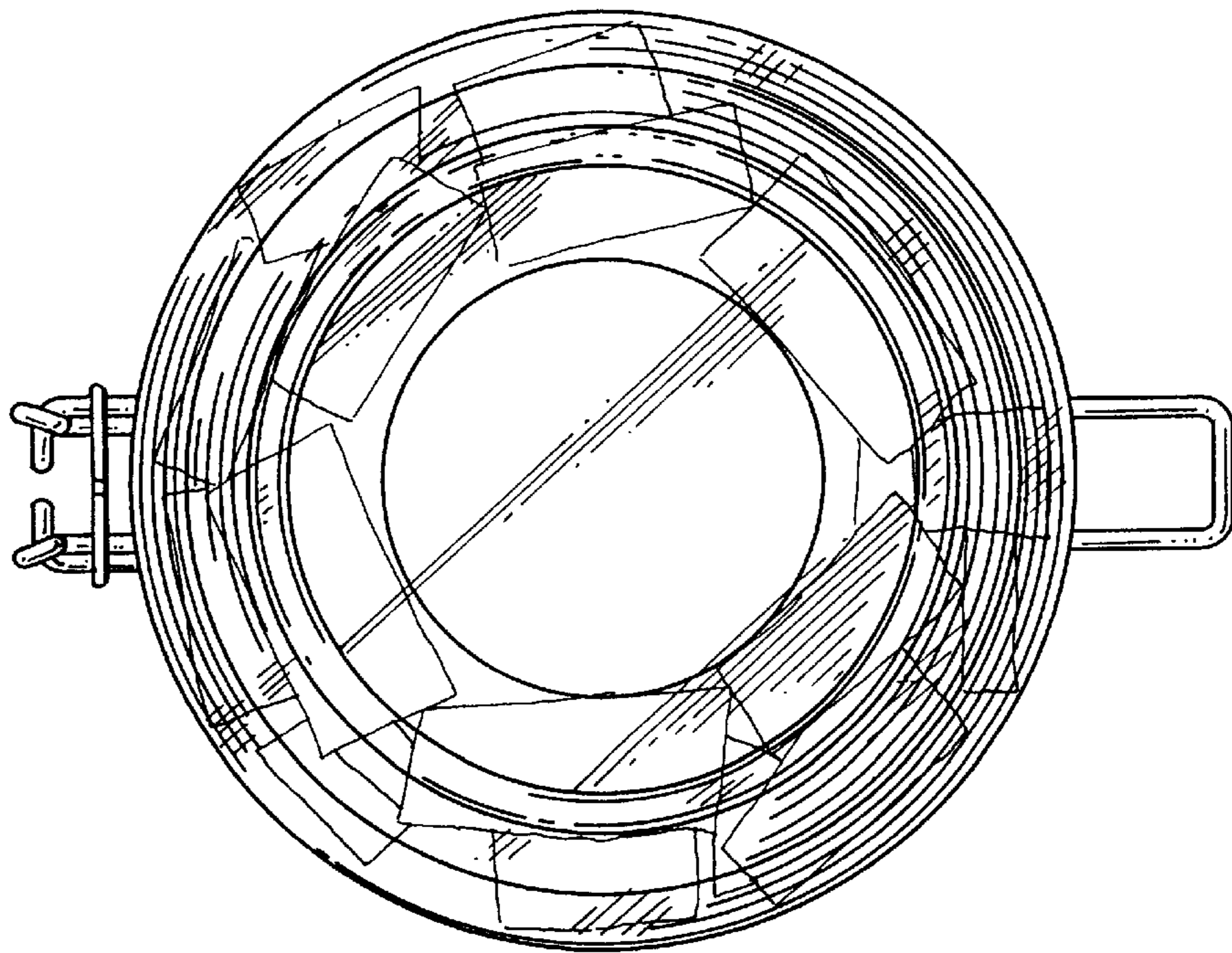


FIG. 6