



US00D423692S

United States Patent [19]
Hashizume

[11] **Patent Number: Des. 423,692**

[45] **Date of Patent: ** Apr. 25, 2000**

[54] **REFLECTOR**

[75] Inventor: **Toshiaki Hashizume**, Suwa, Japan

[73] Assignee: **Seiko Epson Corporation**, Tokyo, Japan

[**] Term: **14 Years**

[21] Appl. No.: **29/088,113**

[22] Filed: **May 15, 1998**

[30] **Foreign Application Priority Data**

Jan. 23, 1998 [JP] Japan 10-1585

[51] **LOC (6) Cl.** **26-06**

[52] **U.S. Cl.** **D26/1**

[58] **Field of Search** D10/111, 121;
D26/24, 1, 118, 2, 128-137, 3, 4; 313/1,
25, 113, 315, 316, 317, 318; 362/341-350

[56] **References Cited**

U.S. PATENT DOCUMENTS

D. 239,609 4/1976 Jsuyama D10/111

D. 339,647 9/1993 Kawashima et al. D26/1
D. 408,310 4/1999 Hashiyame D26/1
4,345,178 8/1982 Pappas et al. D26/1

Primary Examiner—Marcus A. Jackson
Attorney, Agent, or Firm—Oliff & Berridge, PLC

[57] **CLAIM**

The ornamental design for reflector, as shown and described.

DESCRIPTION

FIG. 1 is a front elevational view of a reflector in accordance with my inventive design;

FIG. 2 is a top view thereof;

FIG. 3 is a bottom plan view thereof;

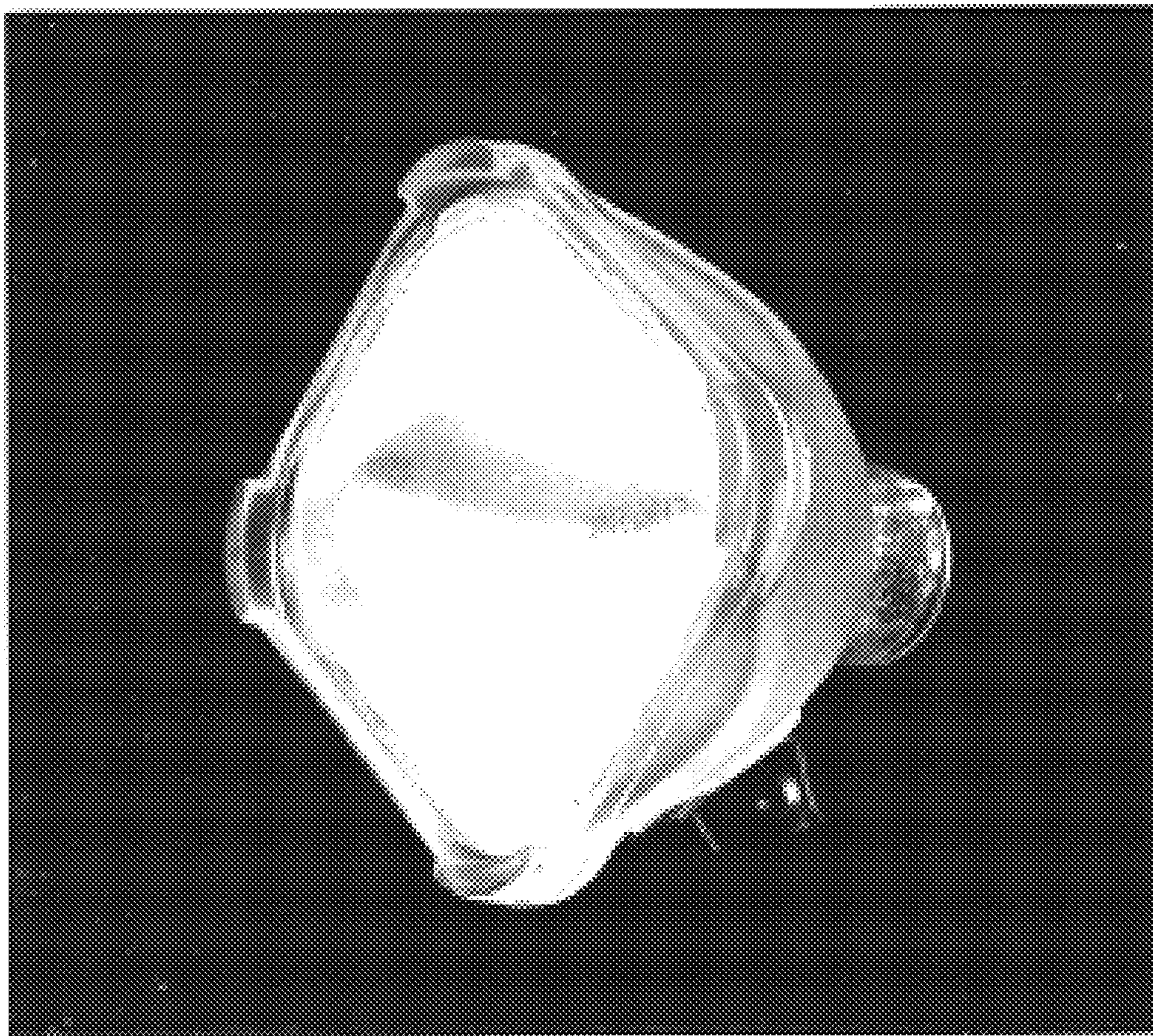
FIG. 4 is a left side view thereof;

FIG. 5 is a right side view thereof;

FIG. 6 is a rear elevational view thereof; and,

FIG. 7 is a perspective view thereof.

1 Claim, 2 Drawing Sheets



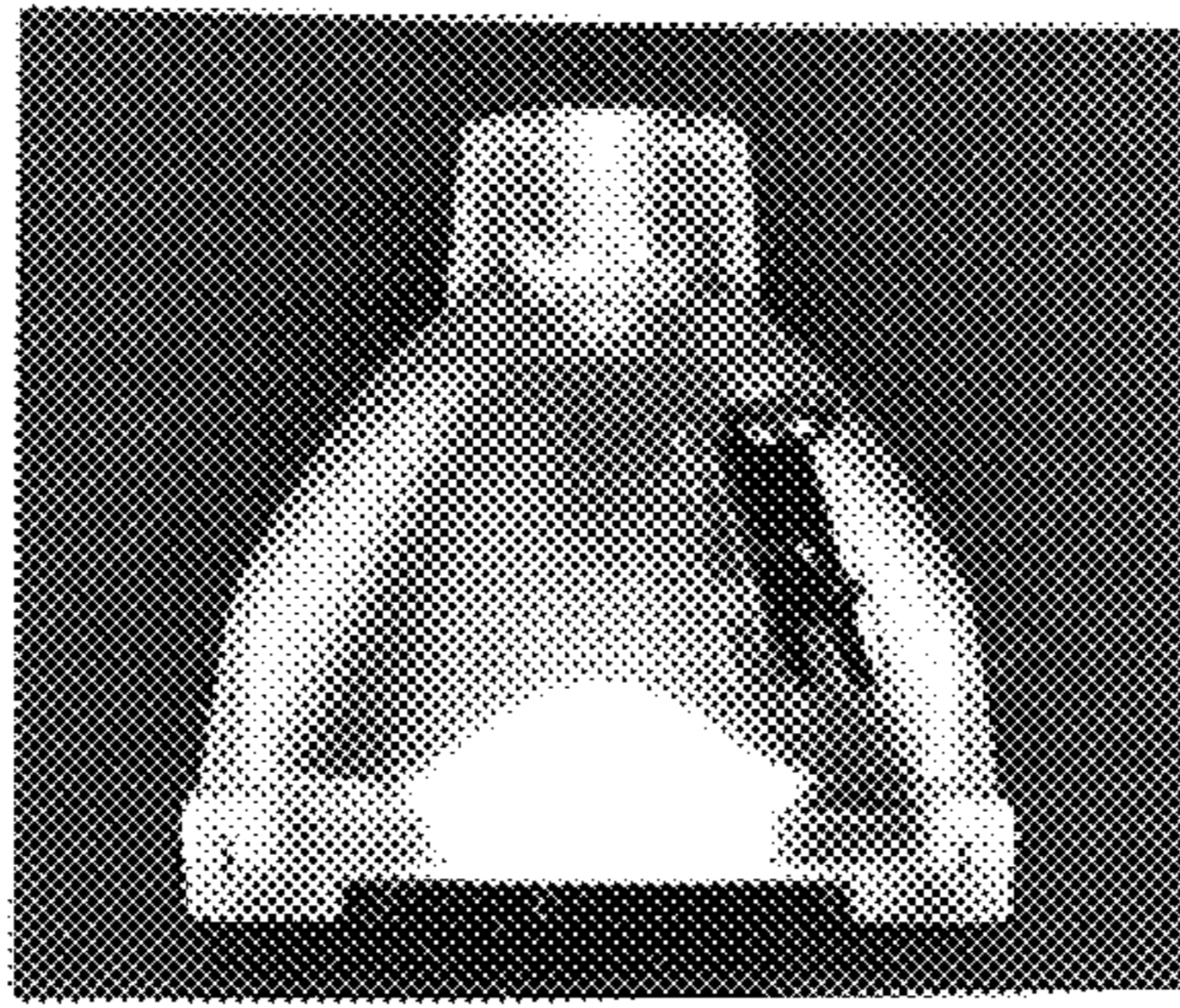


Figure 2

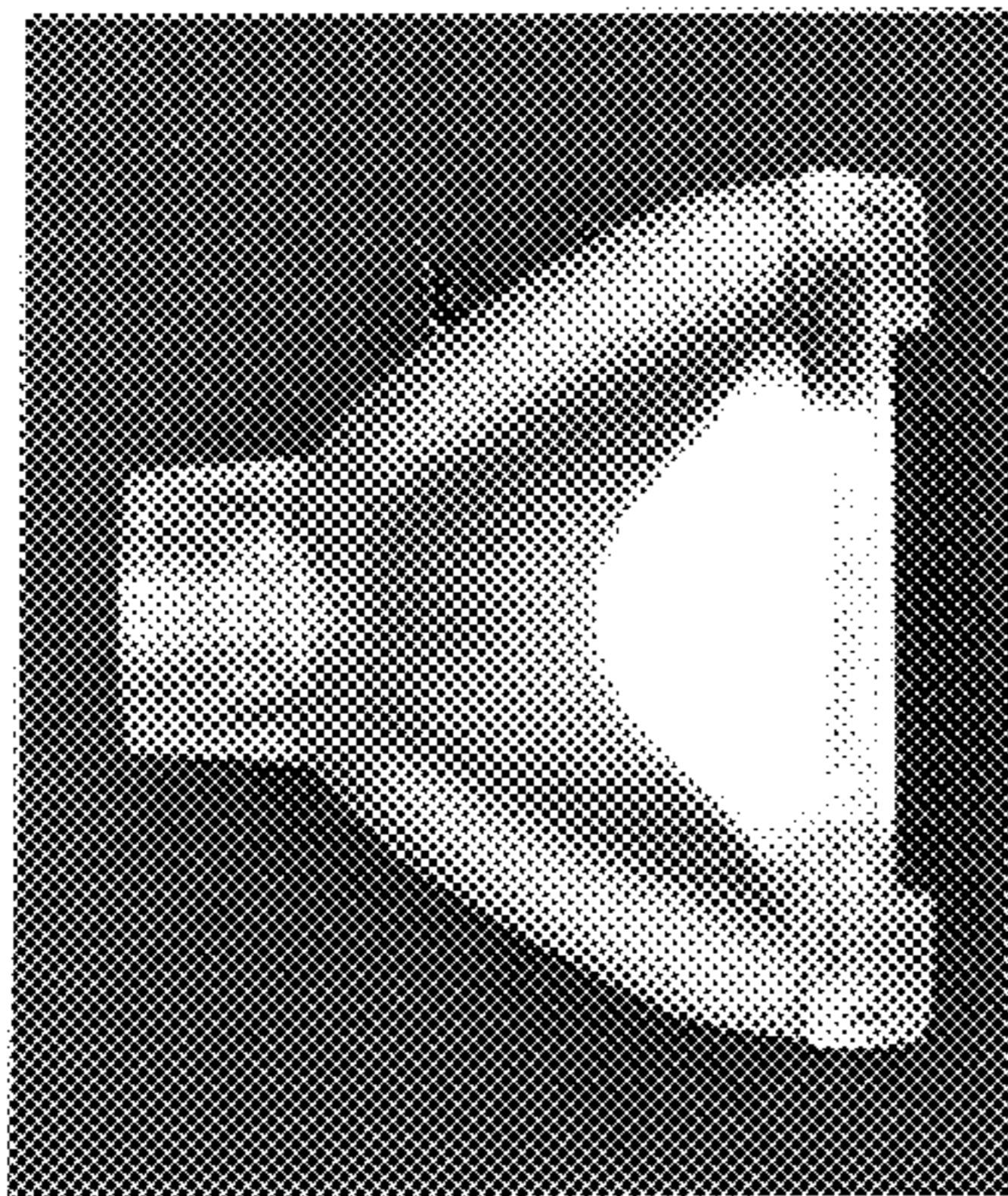


Figure 4

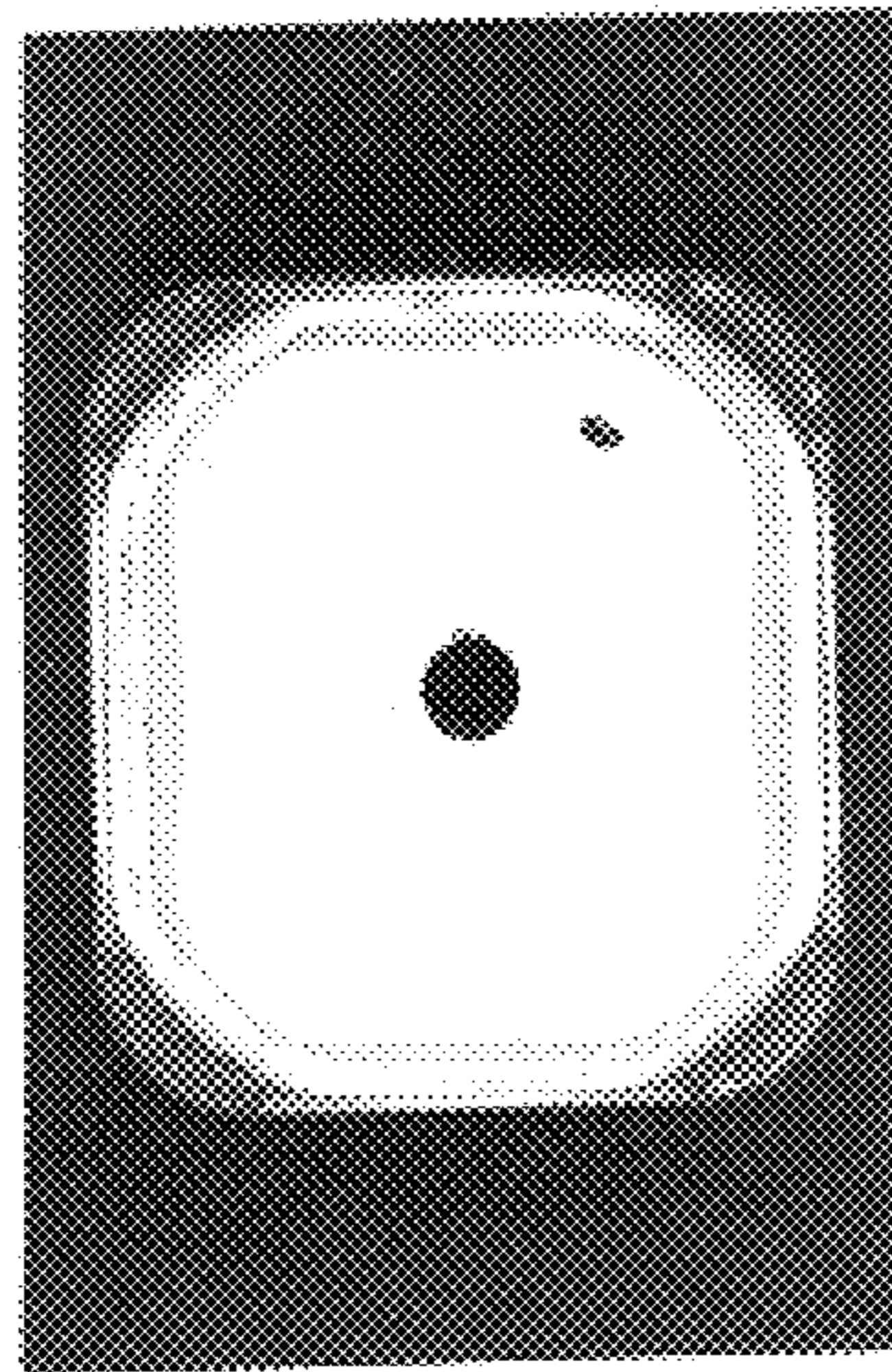


Figure 1

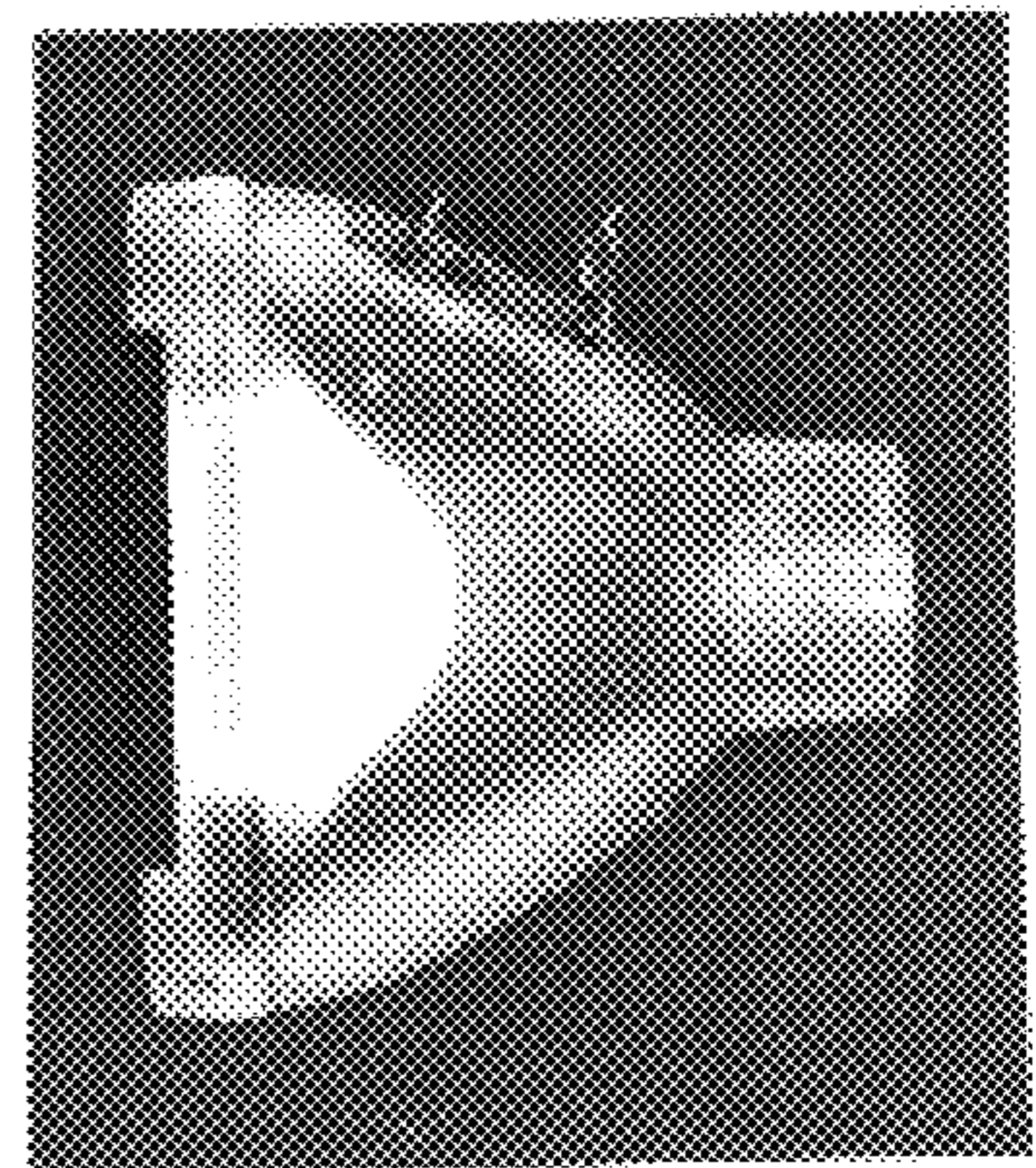


Figure 5

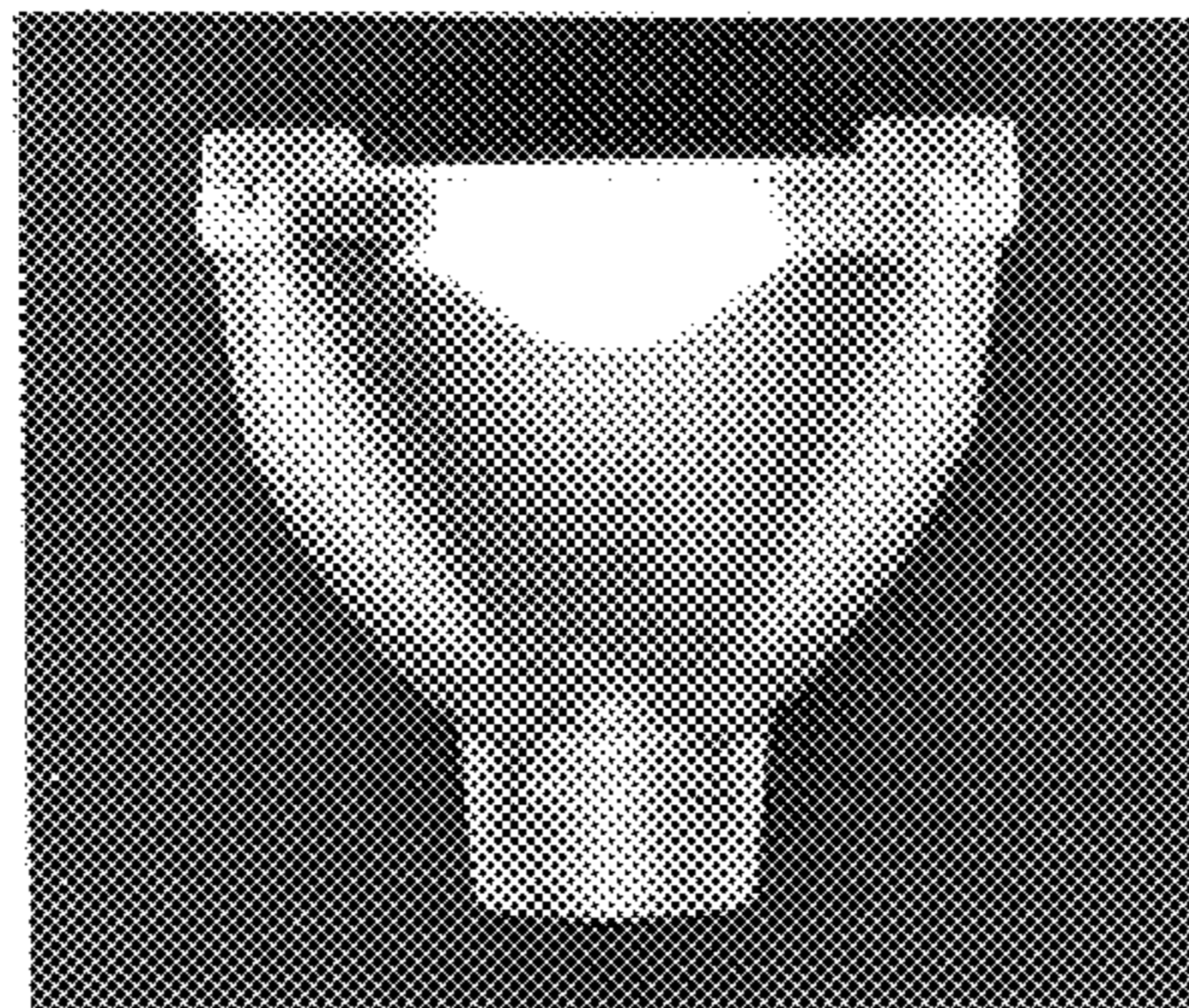


Figure 3

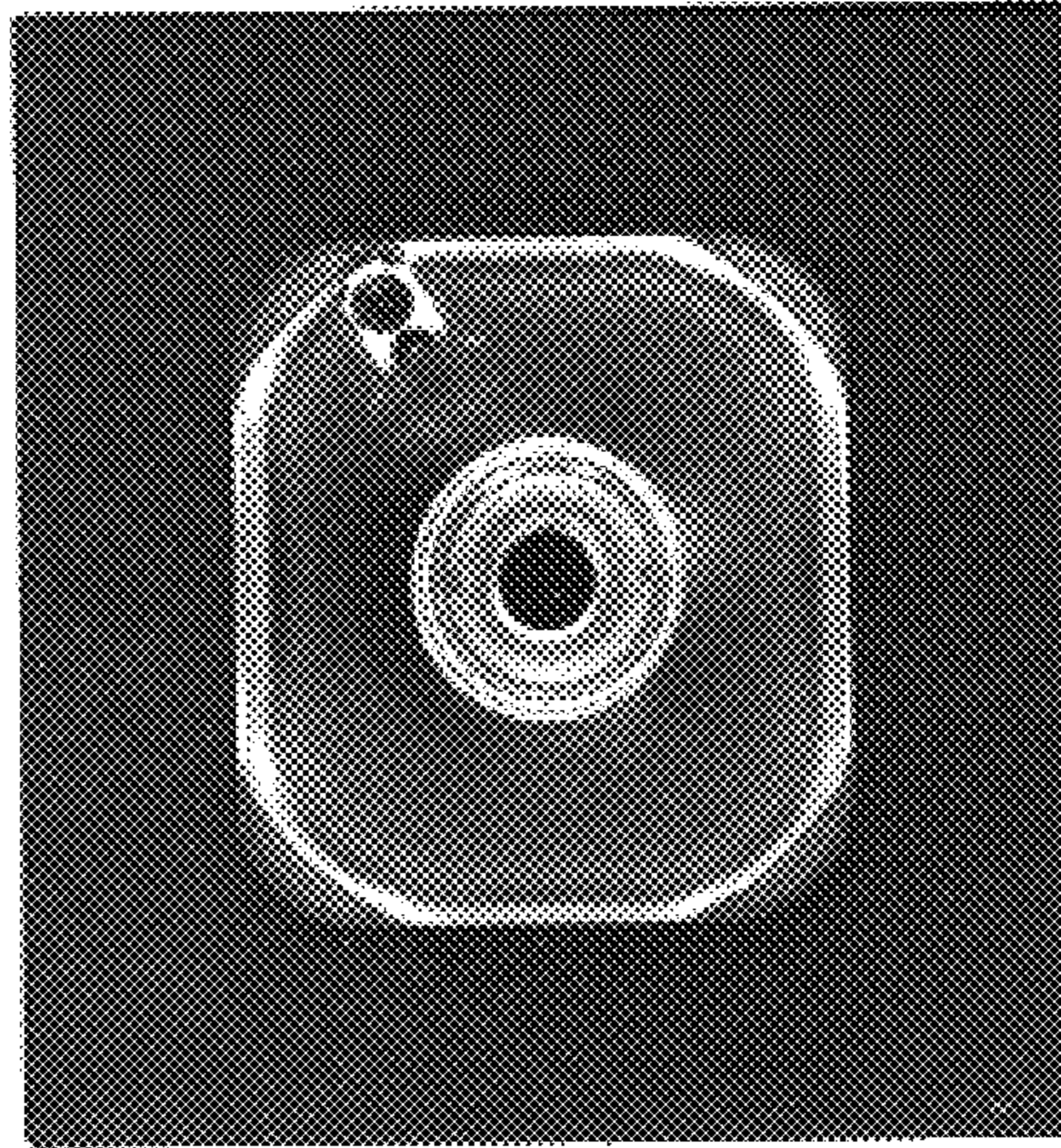


Figure 6

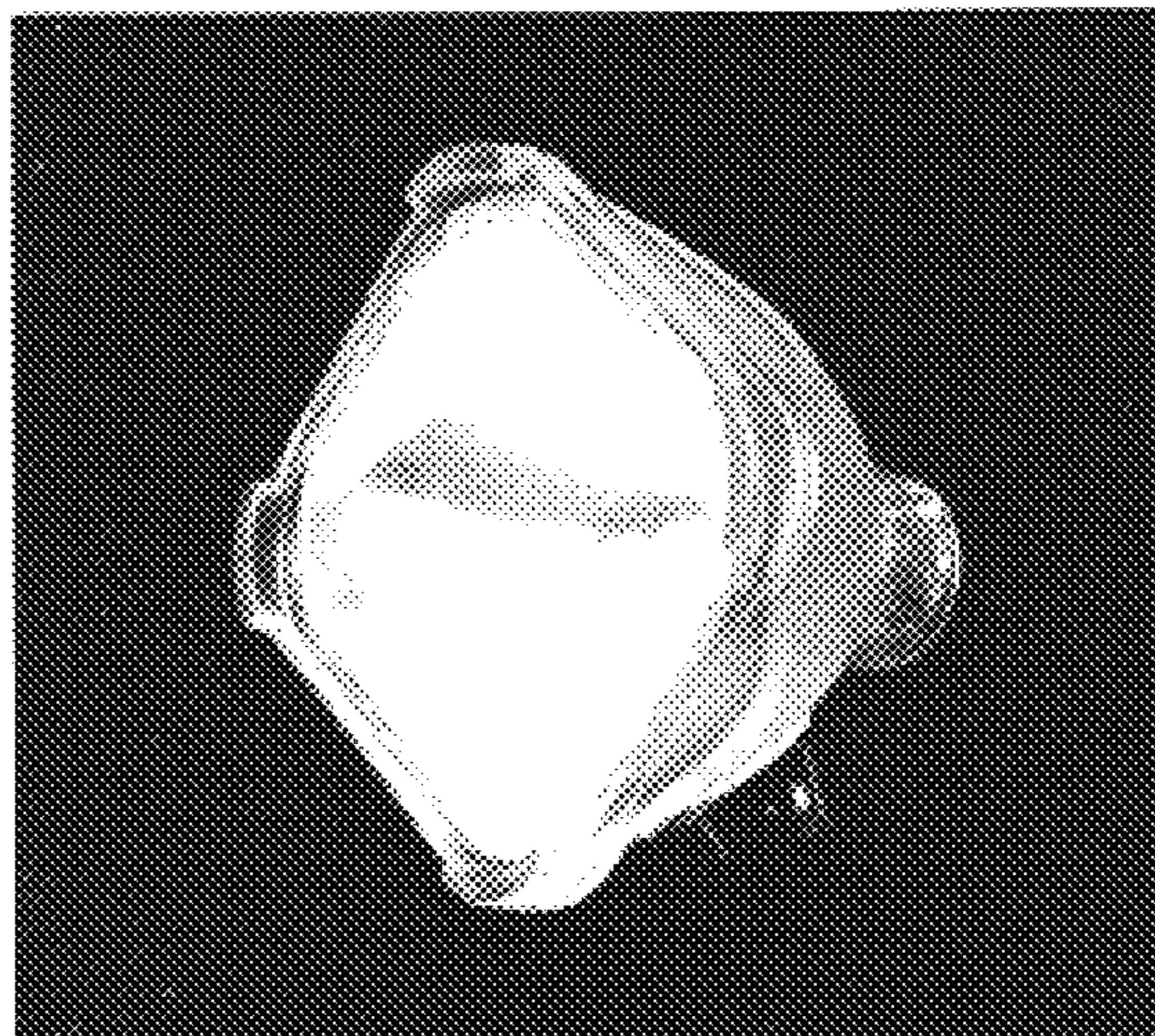


Figure 7