



US00D423687S

United States Patent [19] Cantley

[11] Patent Number: **Des. 423,687**

[45] Date of Patent: **** Apr. 25, 2000**

[54] **PLASTIC LATTICE**

4,333,287 6/1982 Lewis 52/311

[76] Inventor: **Richard W. Cantley**, 2820 W. Maple,
Troy, Mich. 48084

Primary Examiner—Doris Clark
Attorney, Agent, or Firm—Gifford, Krass, Groh, Sprinkle,
Anderson & Citkowski, P.C.

[**] Term: **14 Years**

[57] CLAIM

[21] Appl. No.: **29/106,904**

I claim the ornamental design for a plastic lattice, as shown
and described.

[22] Filed: **Jun. 23, 1999**

DESCRIPTION

[51] **LOC (6) Cl.** **08-99**

[52] **U.S. Cl.** **D25/100**

[58] **Field of Search** 52/637, 638, 652.1,
52/660, 664, 663, 665, 666, 667, 668, 669;
D25/58, 138, 100-101, 53

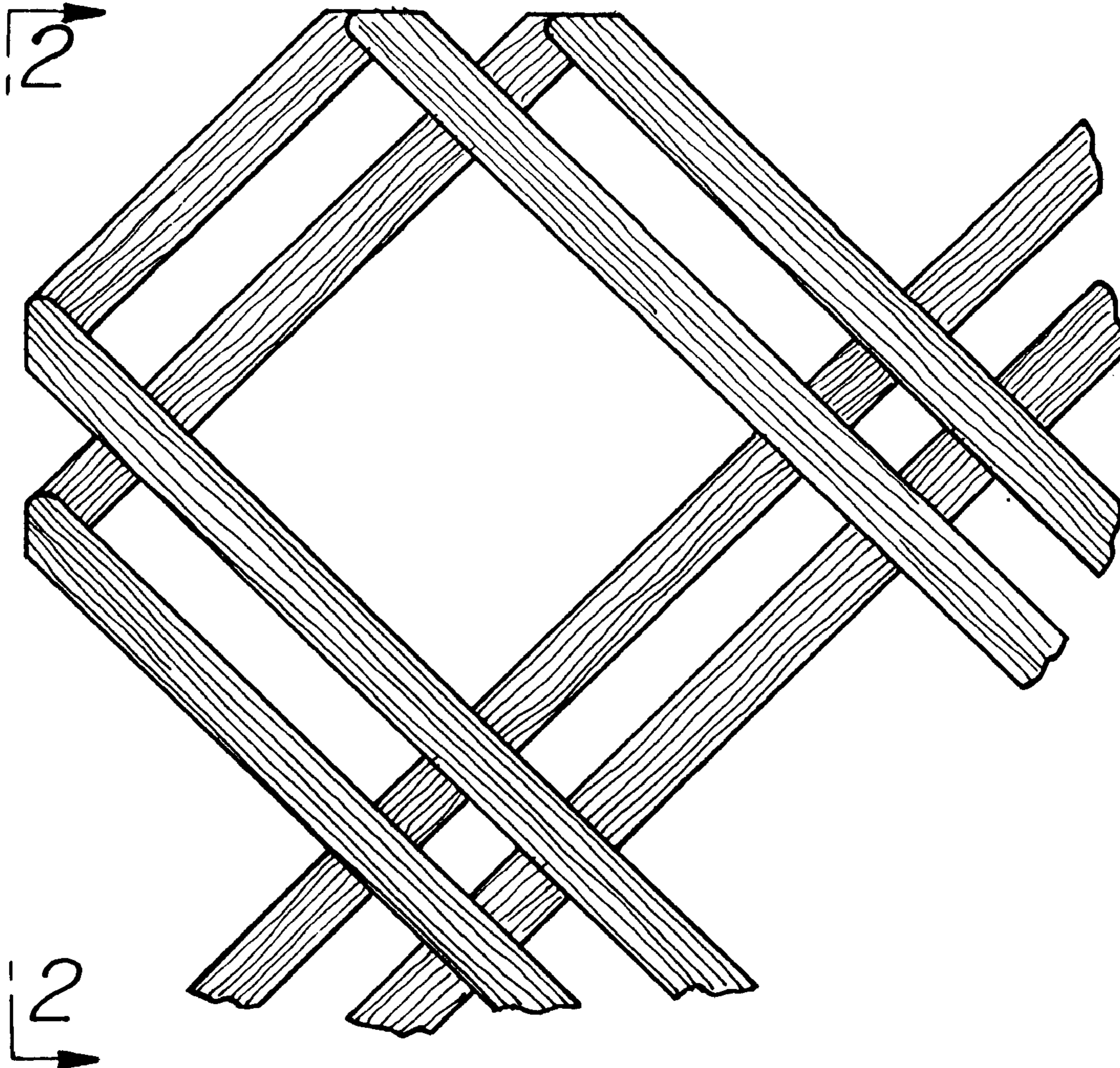
FIG. 1 is a fragmentary front elevational view of a portion
of a plastic lattice embodying my new design;
FIG. 2 is a left side elevational view of the plastic lattice, the
pattern is repetitive throughout the design as illustrated in
this view;
FIG. 3 is a detailed perspective view of a portion of the
plastic lattice; and,
FIG. 4 is a cross-sectional view taken along lines 4-4 of
FIG. 3.

[56] References Cited

U.S. PATENT DOCUMENTS

D. 296,935	7/1988	Erceg	25/100
D. 402,381	12/1998	Gruda et al.	25/100
2,672,658	3/1954	Pedersen	20/92
2,752,276	6/1956	Woock	52/660

1 Claim, 1 Drawing Sheet



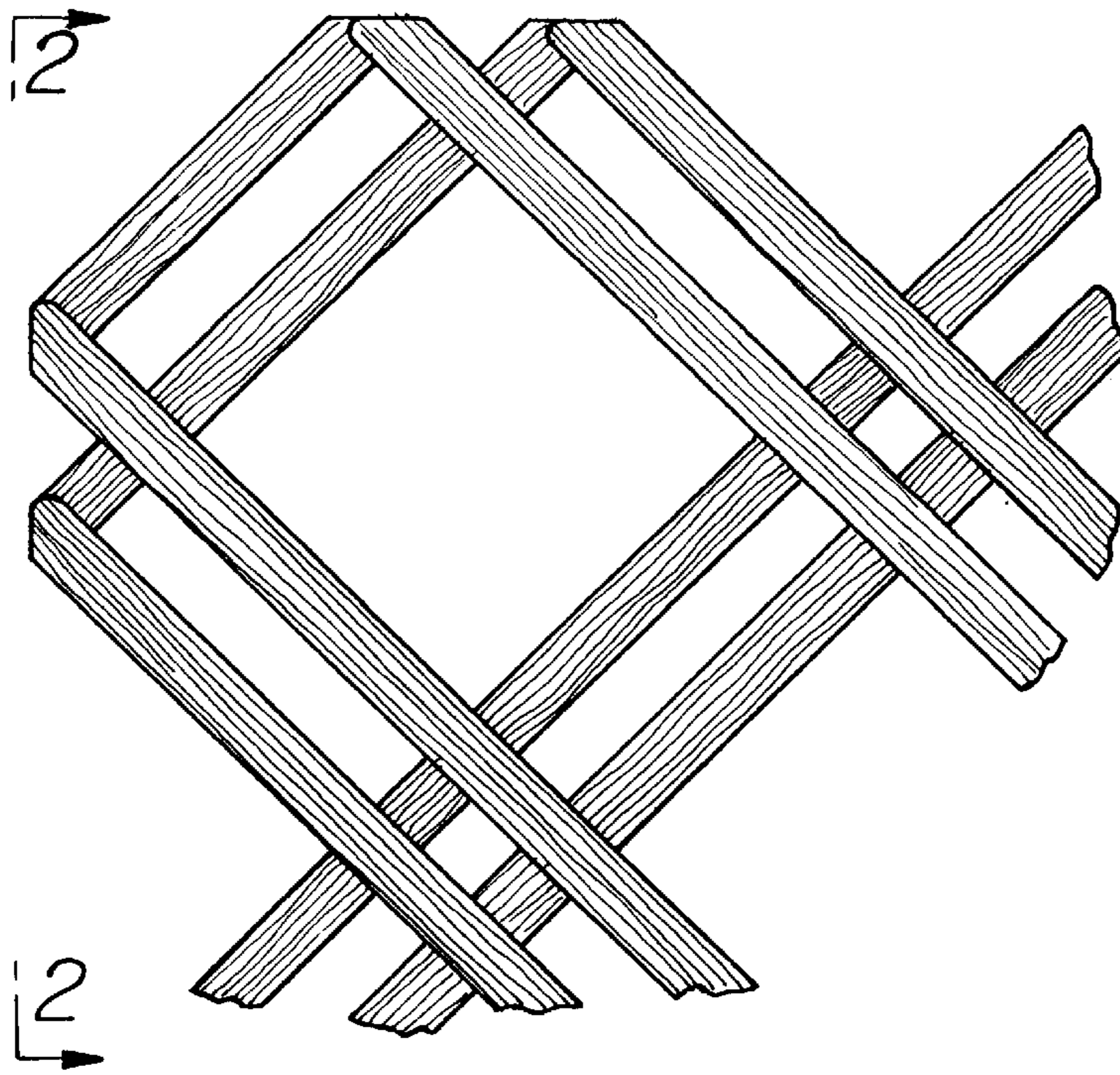


FIG-1



FIG-2

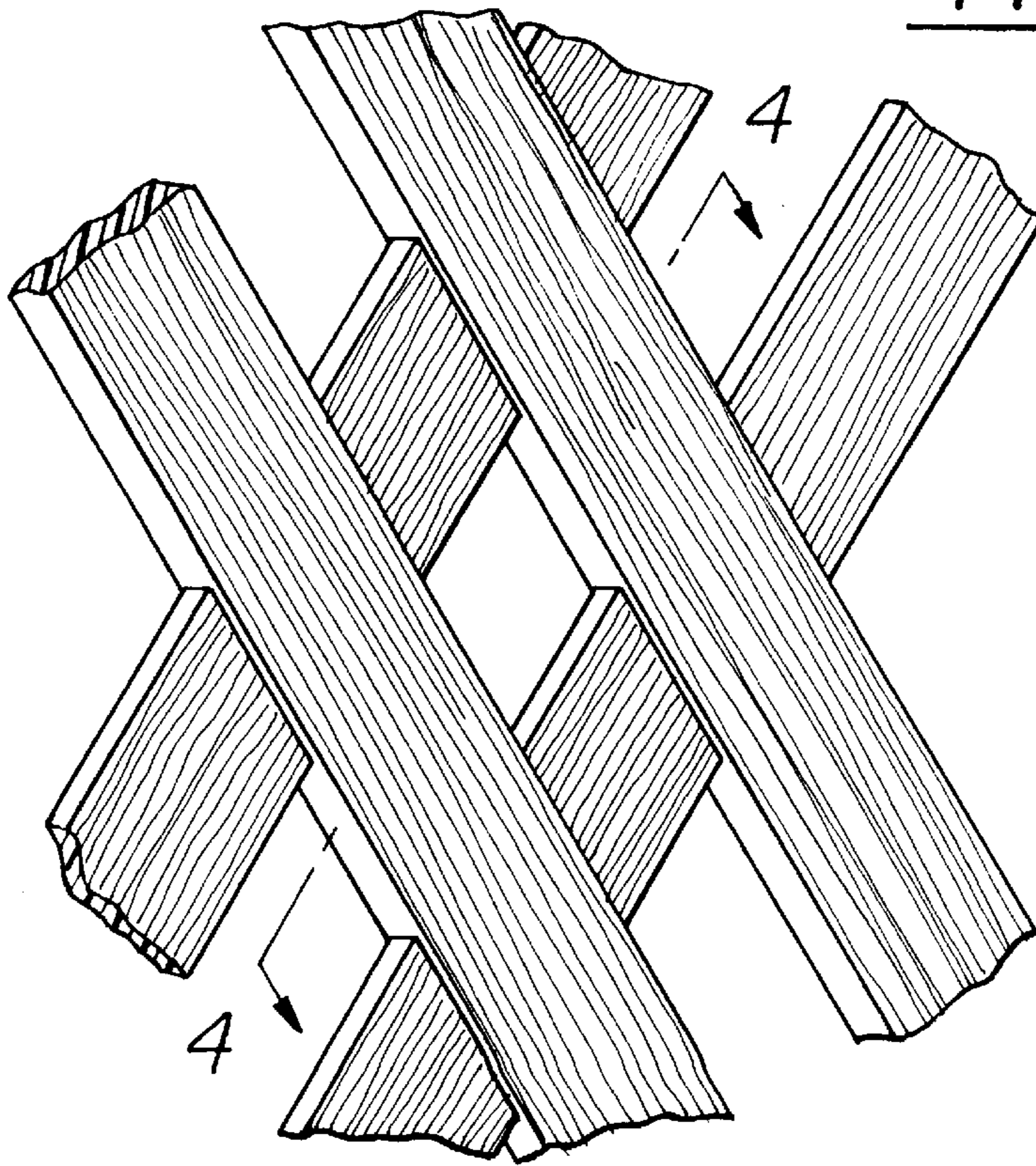


FIG-3

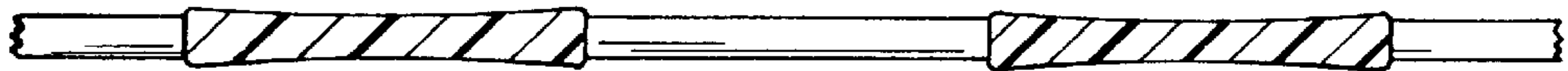


FIG-4

UNITED STATES PATENT AND TRADEMARK OFFICE
CERTIFICATE OF CORRECTION

PATENT NO. : Des. 423,687
DATED : April 25, 2000
INVENTOR(S) : Richard W. Cantley

It is certified that error appears in the above-identified patent and that said Letters Patent are hereby corrected as shown below:

In the description of FIG. 1, after "new design" insert --, the pattern is repetitive throughout the design as illustrated in this view--.

In the description of FIG. 2, after "plastic lattice" delete -- , the pattern is repetitive throughout the design as illustrated in this view--.

Signed and Sealed this
Twenty-ninth Day of May, 2001

Attest:



NICHOLAS P. GODICI

Attesting Officer

Acting Director of the United States Patent and Trademark Office