



US00D423686S

United States Patent [19]
Swain

[11] **Patent Number: Des. 423,686**

[45] **Date of Patent: ** Apr. 25, 2000**

[54] **ADJUSTABLE SCAFFOLD SUPPORT**

[76] **Inventor: Douglas G. Swain, 57 Loch Lomond Rd., San Angelo, Tex. 76901**

[**] **Term: 14 Years**

[21] **Appl. No.: 29/105,341**

[22] **Filed: May 21, 1999**

[51] **LOC (6) Cl. 25-04**

[52] **U.S. Cl. D25/68**

[58] **Field of Search D25/68, 67; 182/184, 182/181, 185, 186, 224**

[56] **References Cited**

U.S. PATENT DOCUMENTS

D. 349,165 7/1994 Jasmund D25/68
5,299,656 4/1994 Grill 182/224

Primary Examiner—Doris Clark
Attorney, Agent, or Firm—Charles D. Gunter, Jr.

[57] **CLAIM**

The ornamental design for an adjustable scaffold support, as shown and described.

DESCRIPTION

FIG. 1 is a perspective view of the adjustable scaffold supports of the invention, the identical mating support being shown in dotted lines, a cross member for the supports being shown in phantom lines and not forming a part of the invention;

FIG. 2 is a side view of the adjustable scaffold support of the invention;

FIG. 3 is a bottom view of the support of FIG. 2.

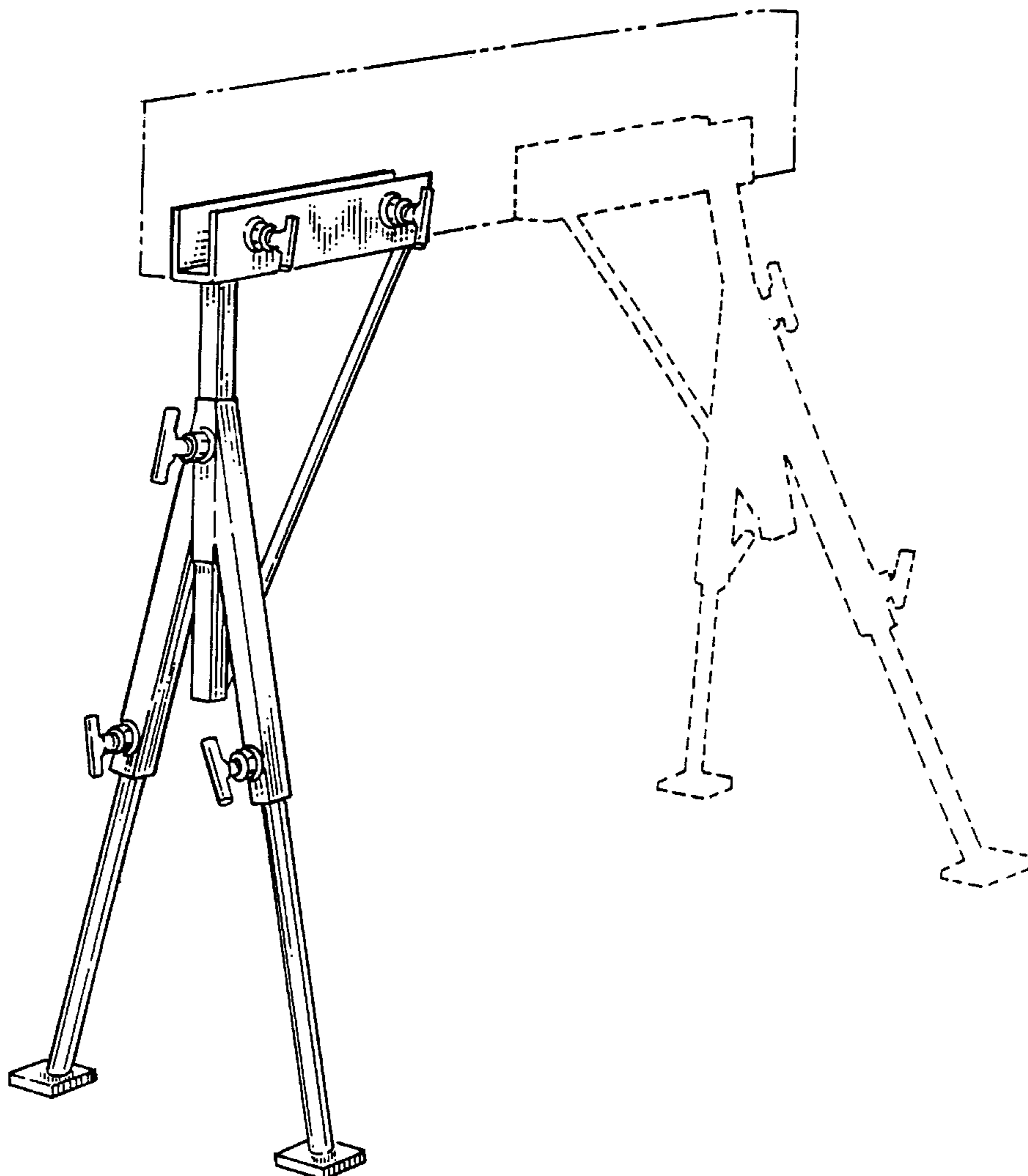
FIG. 4 is a right end view of the support of FIG. 1.

FIG. 5 is a left end view of the support of FIG. 1.

FIG. 6 is a top view of the support of FIG. 7; and,

FIG. 7 is a side view of the adjustable scaffold support taken from the side opposite that shown in FIG. 2.

1 Claim, 4 Drawing Sheets



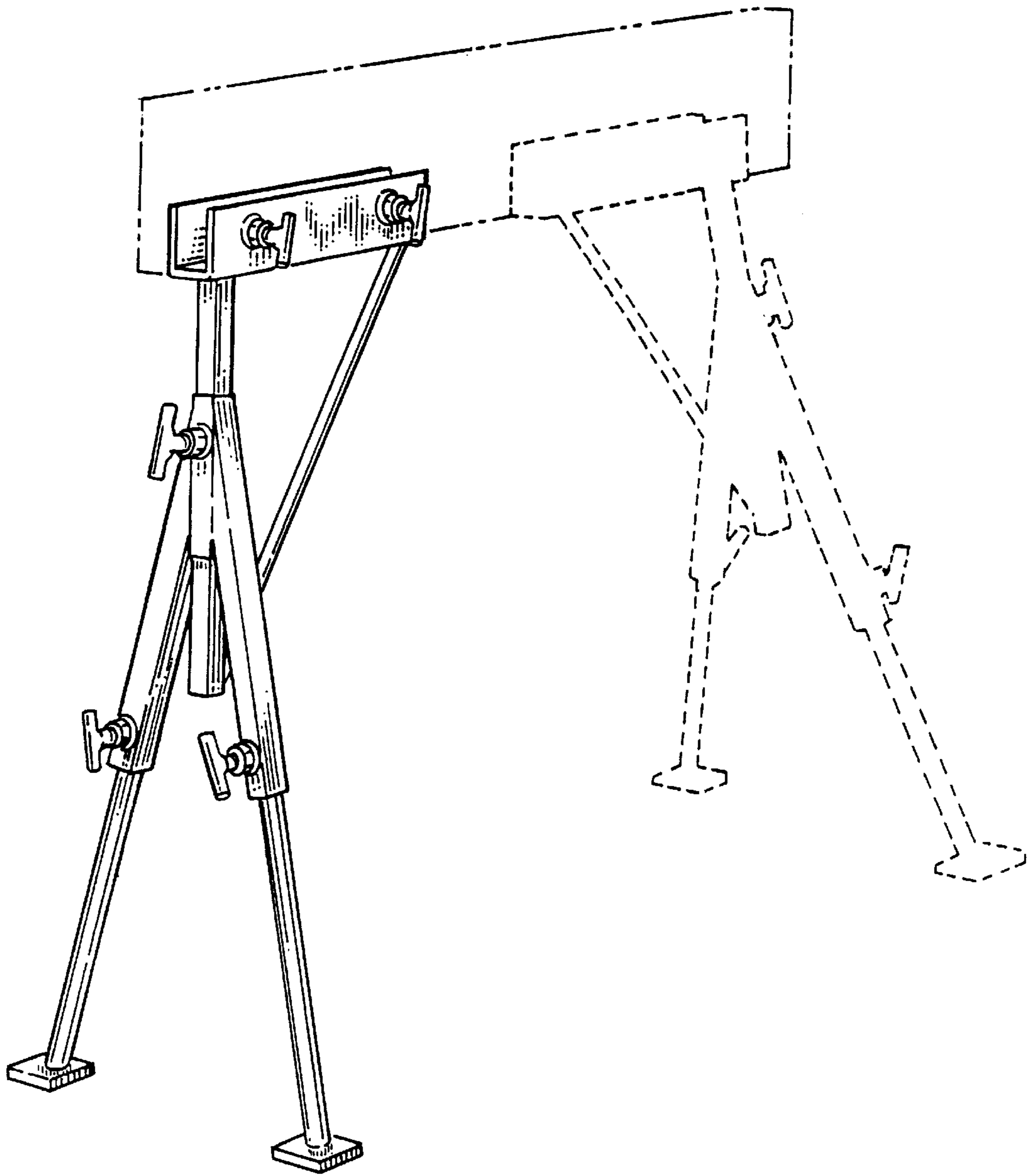


FIG. 1

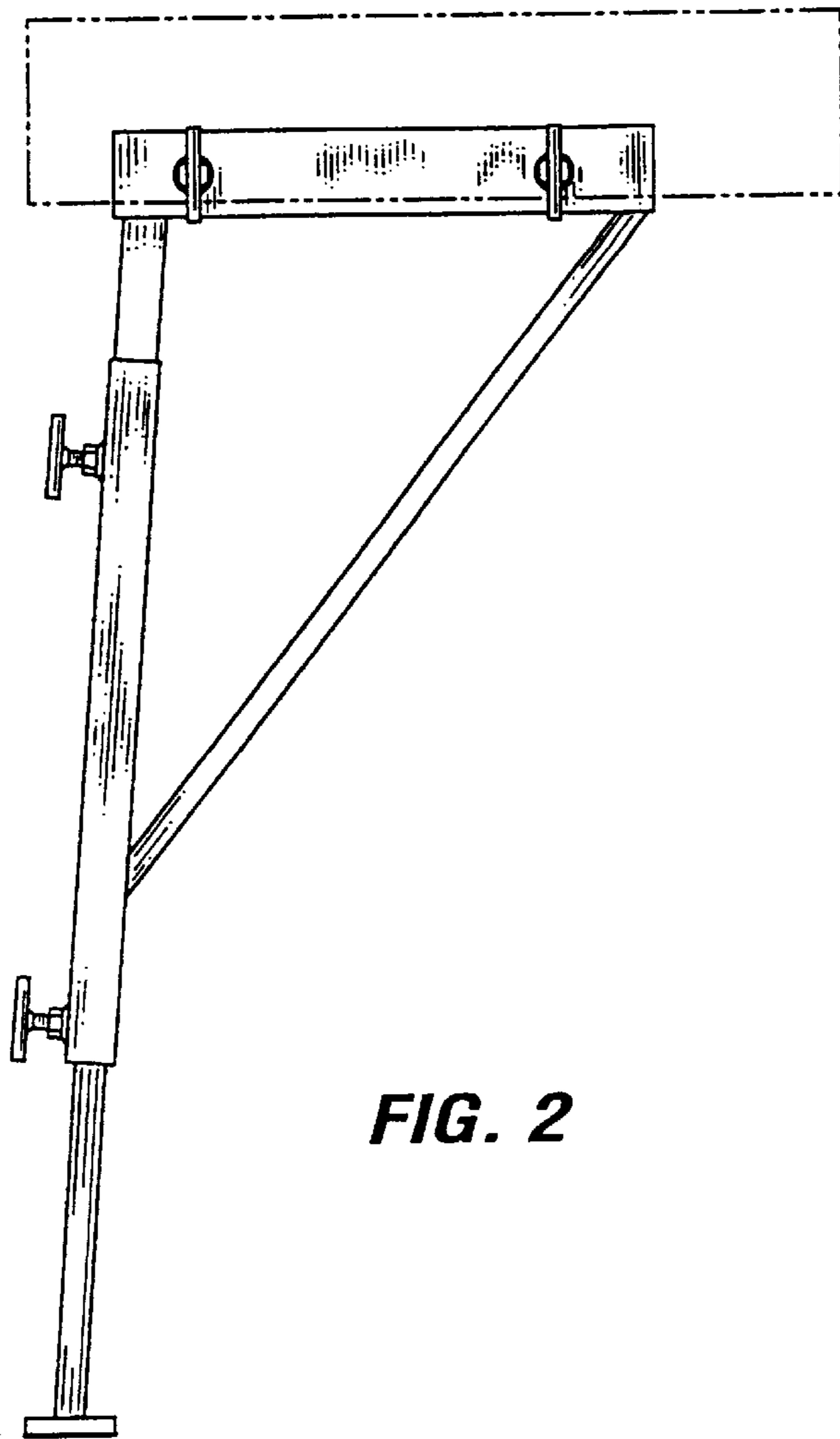


FIG. 2

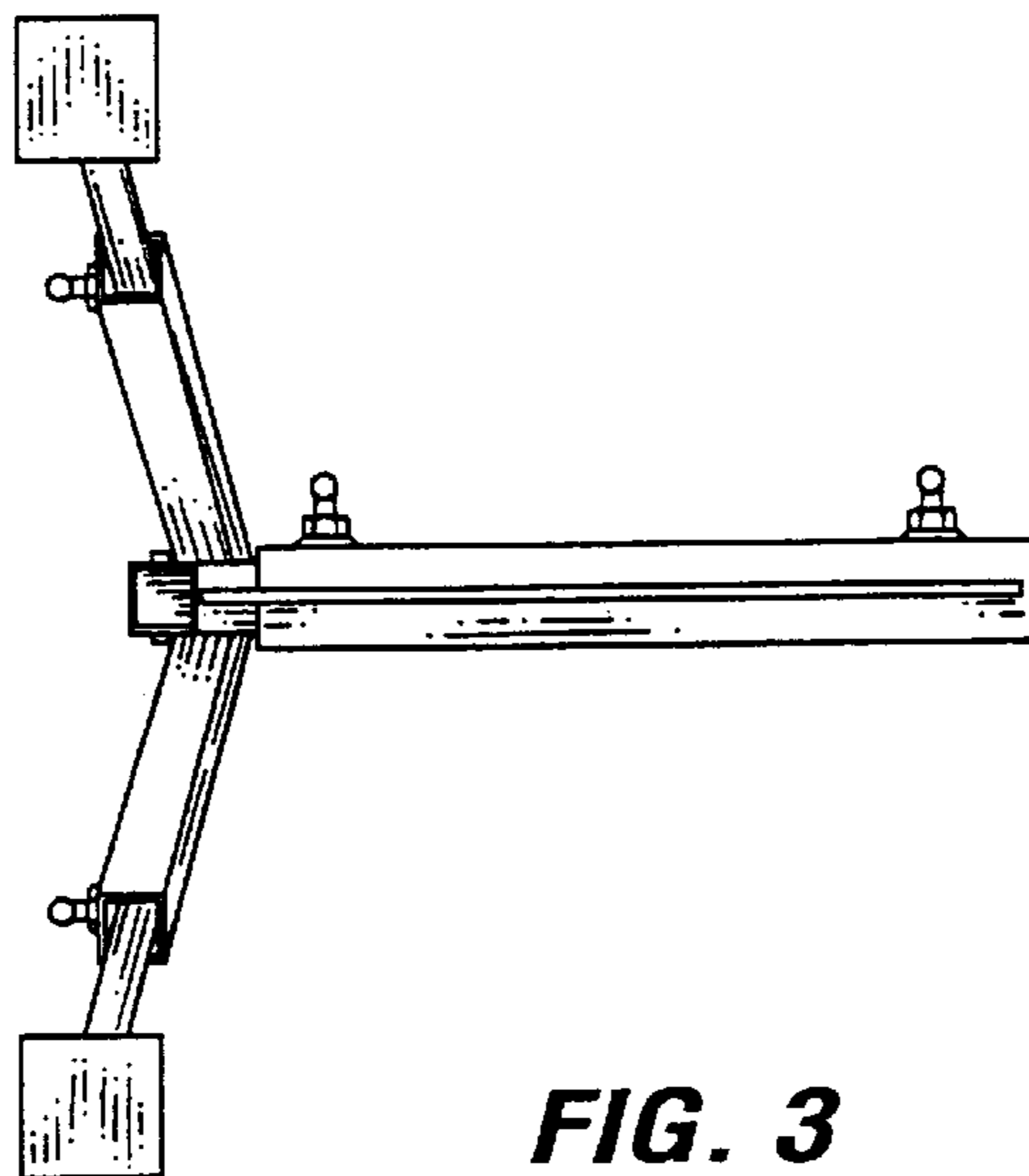


FIG. 3

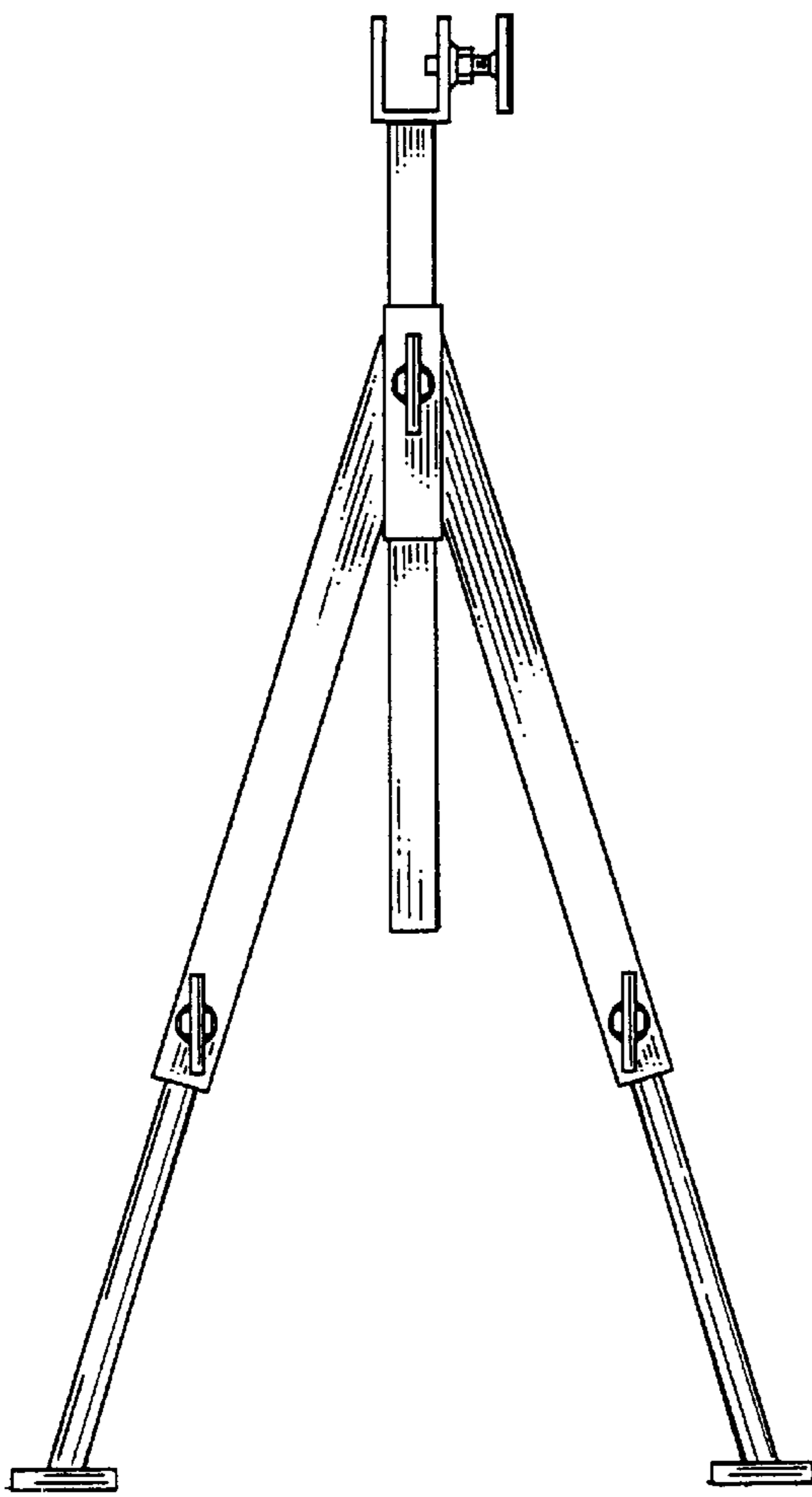


FIG. 5

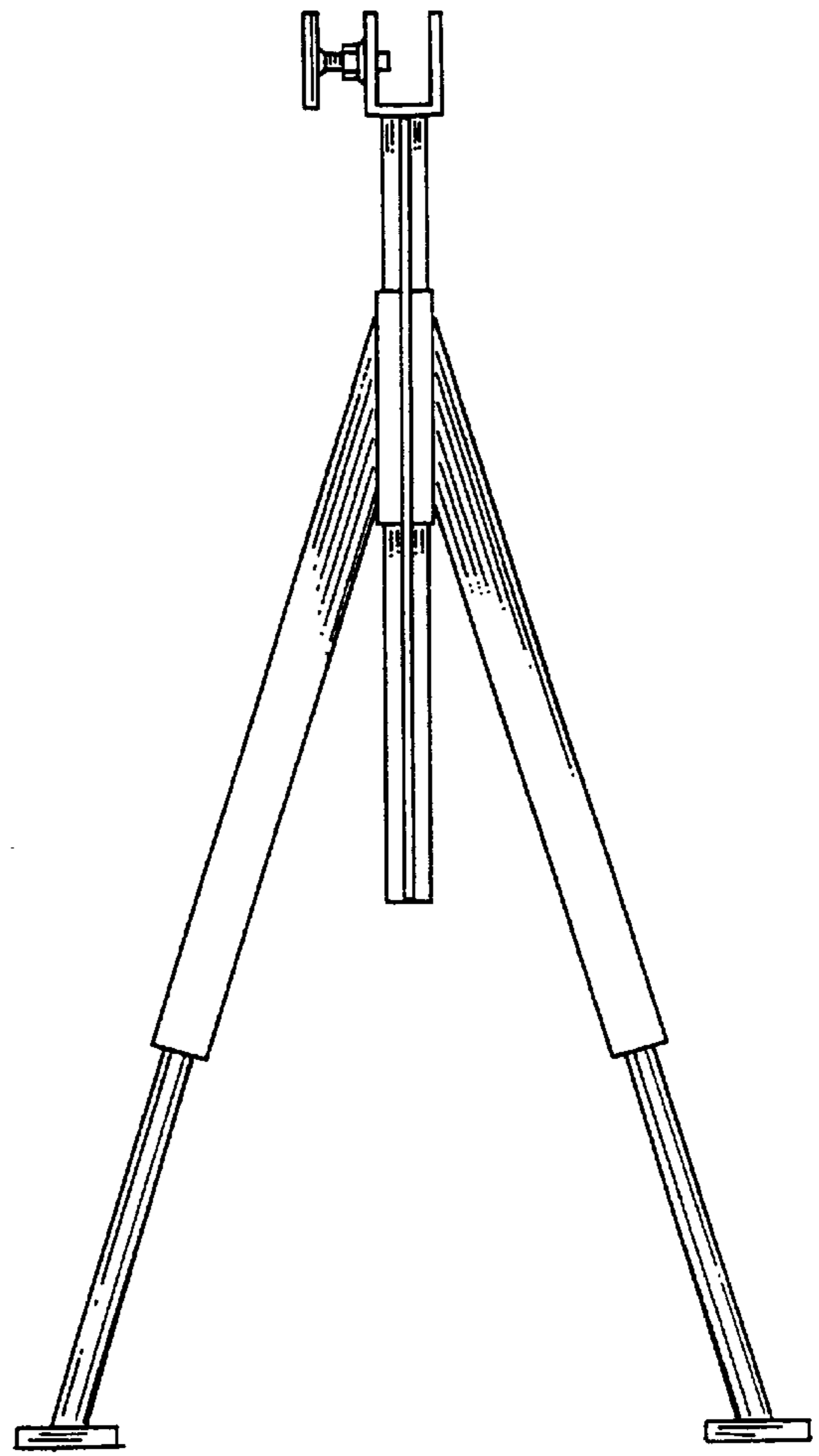


FIG. 4

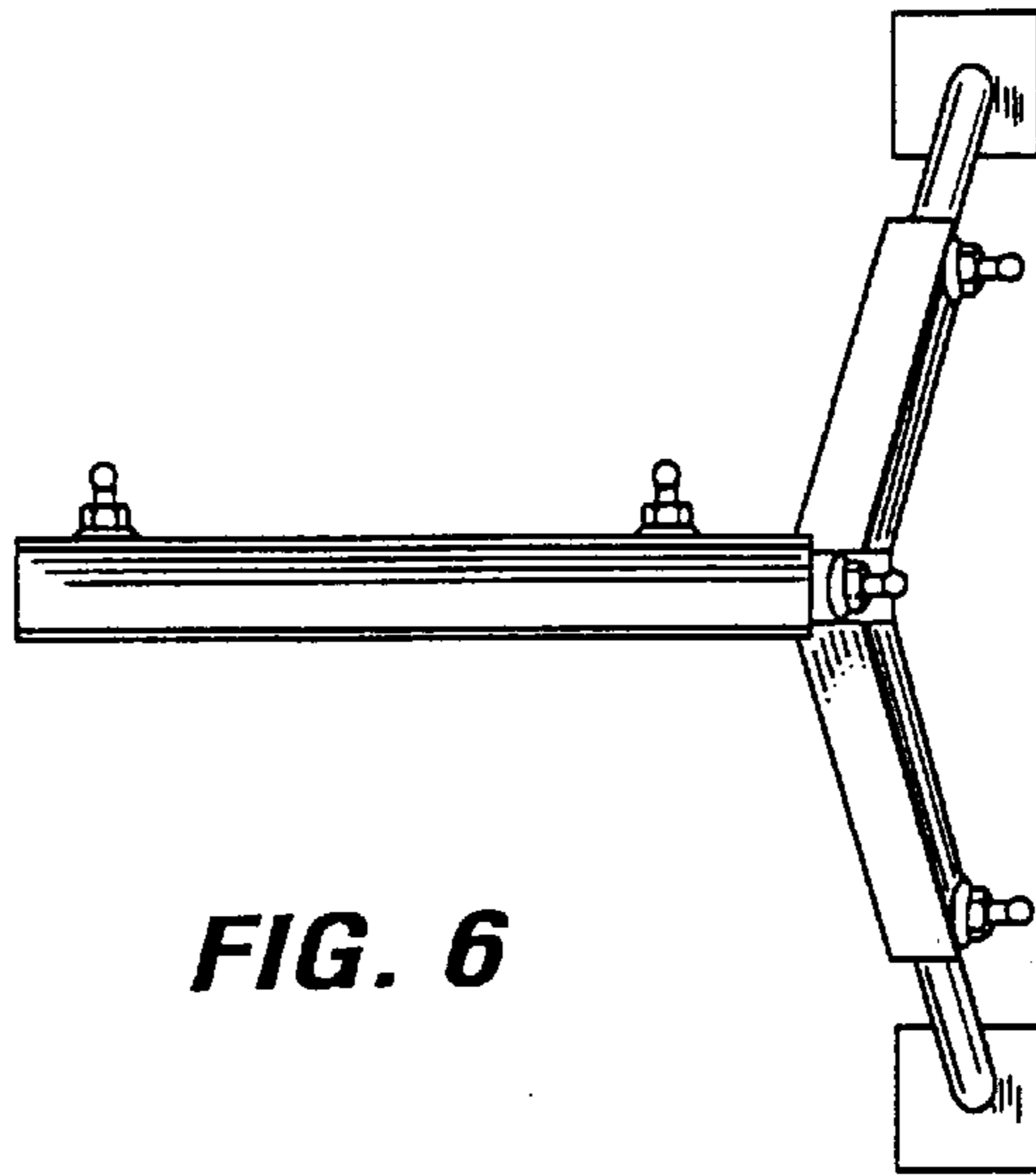


FIG. 6

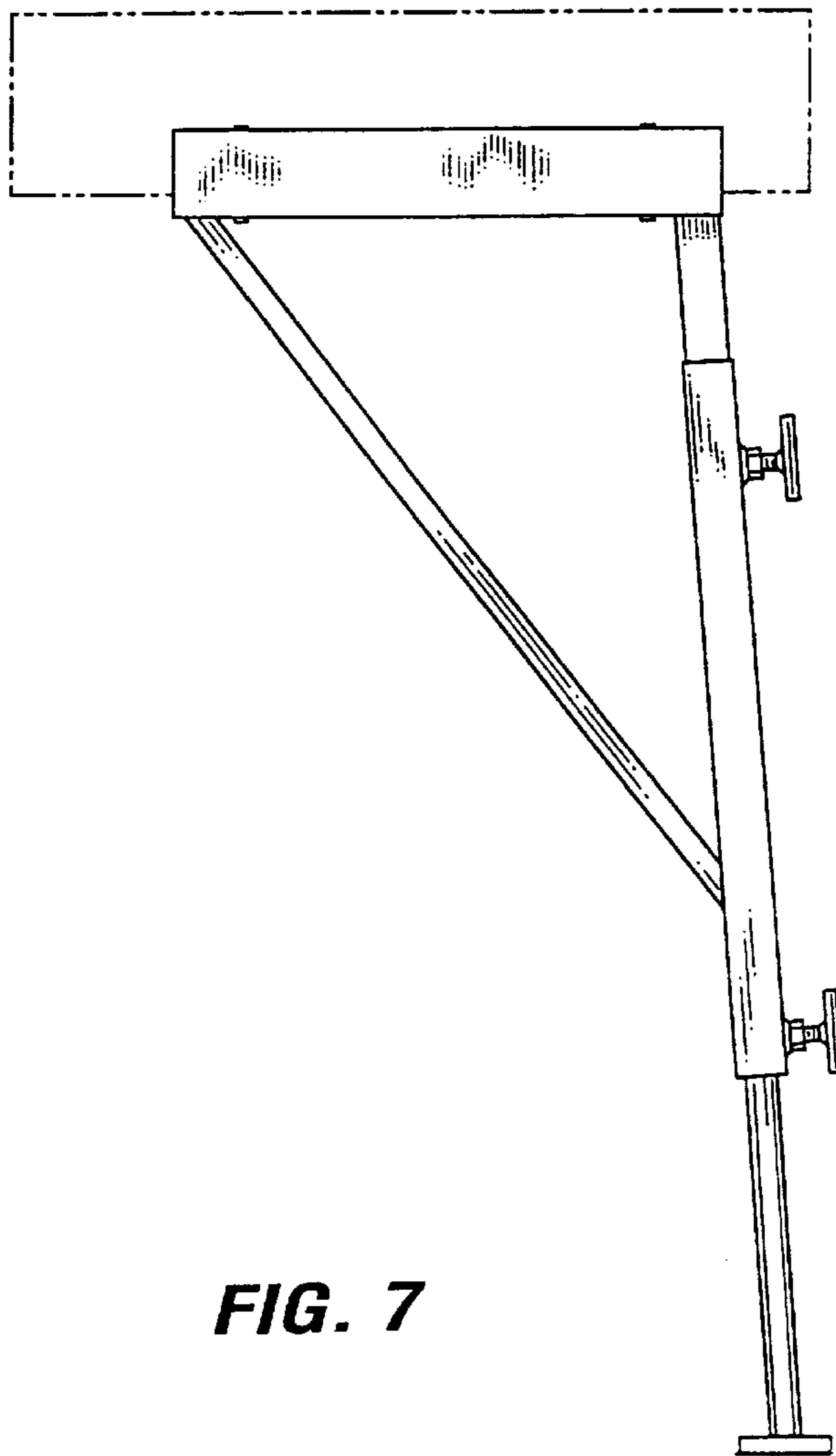


FIG. 7