



US00D423685S

**United States Patent** [19]  
**Ruiz**

[11] **Patent Number: Des. 423,685**

[45] **Date of Patent: \*\* Apr. 25, 2000**

[54] **ADJUSTABLE LADDER**

*Primary Examiner*—Doris Clark

[76] Inventor: **Jose Ruiz**, HC-02 Box 14546, Carolina,  
Puerto Rico 00987-9721

[57] **CLAIM**

[\*\*] Term: **14 Years**

The ornamental design for the adjustable ladder, as shown and described.

[21] Appl. No.: **29/107,808**

**DESCRIPTION**

[22] Filed: **Jul. 15, 1999**

FIG. 1 is a front elevational of the adjustable ladder showing my new design;

[51] **LOC (6) Cl.** ..... **25-04**

FIG. 2 is a rear elevational view thereof;

[52] **U.S. Cl.** ..... **D25/64**

FIG. 3 is a left side elevational view thereof;

[58] **Field of Search** ..... D25/64; 182/194,  
182/201, 207

FIG. 4 is a right side elevational view thereof;

FIG. 5 is a top plan view thereof; and,

FIG. 6 is a bottom plan view thereof.

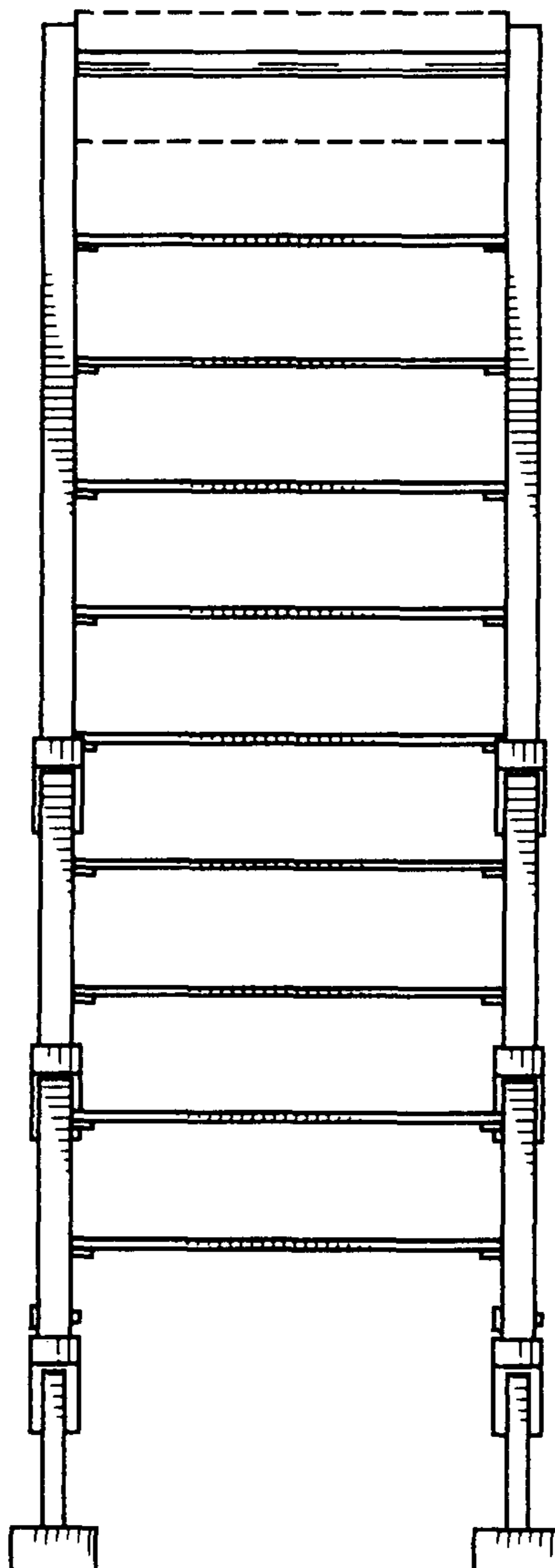
[56] **References Cited**

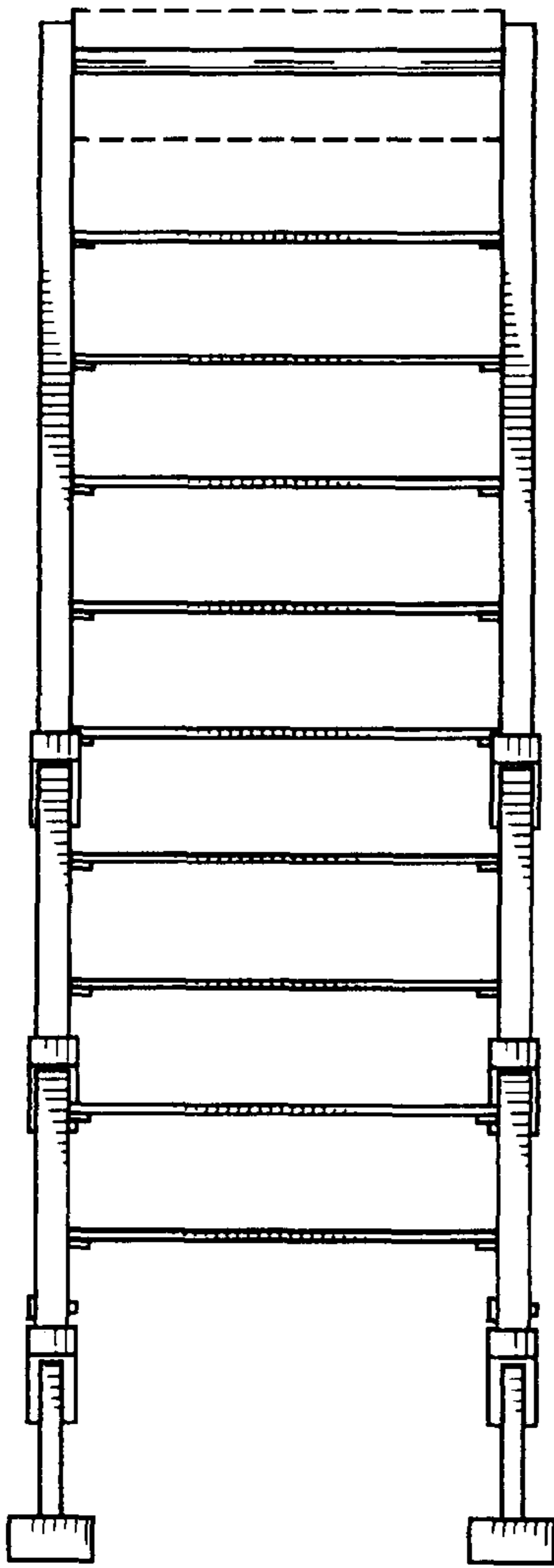
The broken lines are for illustrative purposes only and form no part of the claimed design.

**U.S. PATENT DOCUMENTS**

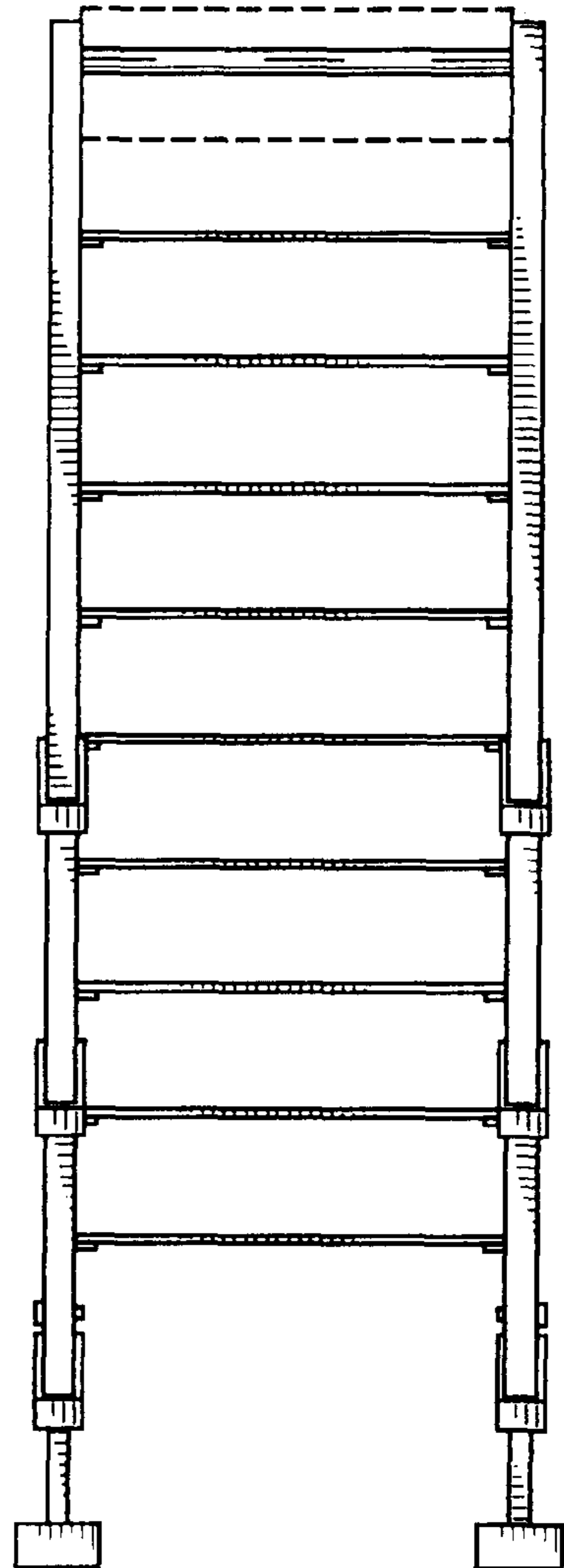
- D. 238,298 12/1975 Larson ..... D25/64
- 3,948,353 4/1976 Lane ..... 182/207

**1 Claim, 3 Drawing Sheets**





*Fig. 1*



*Fig. 2*

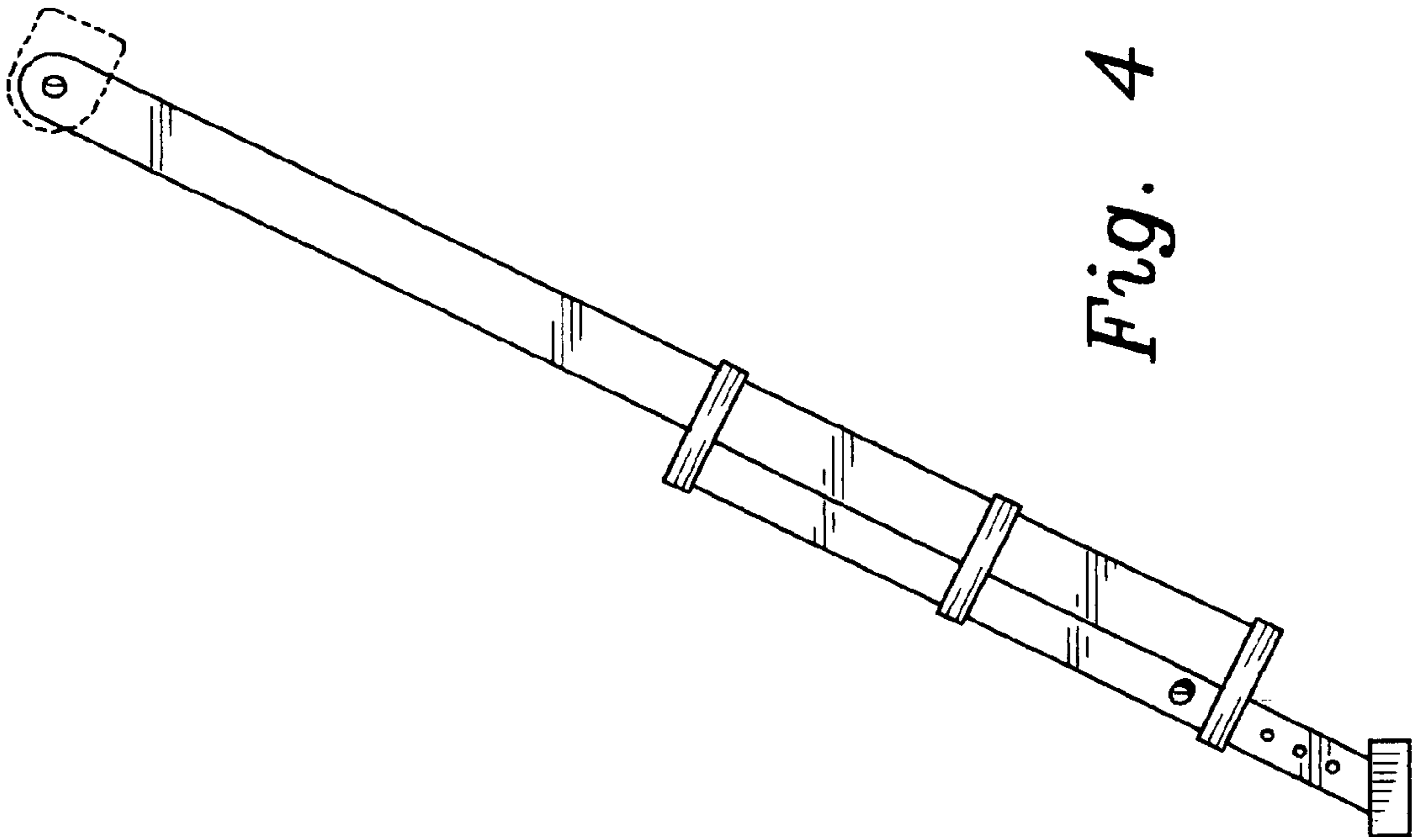


Fig. 4

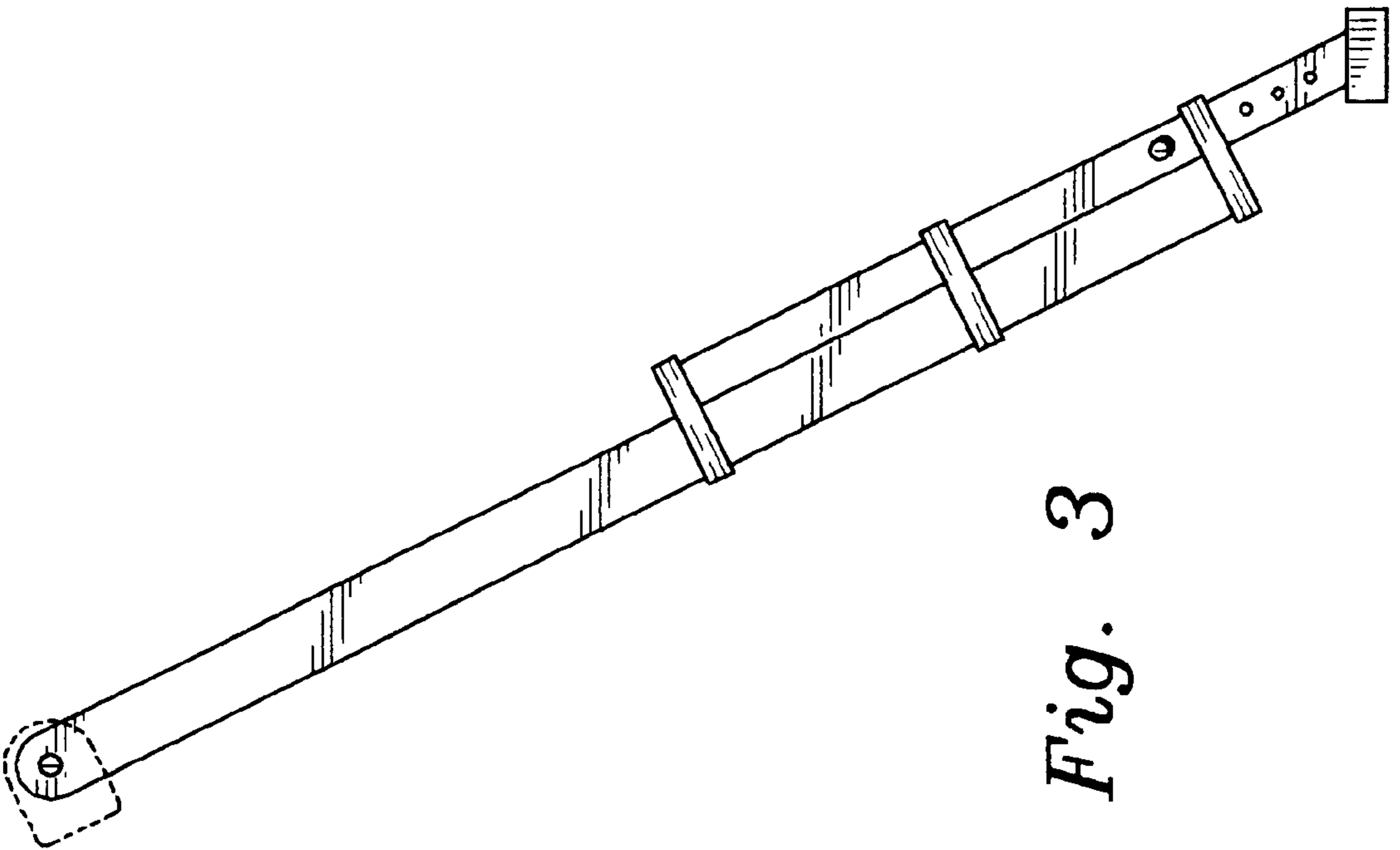
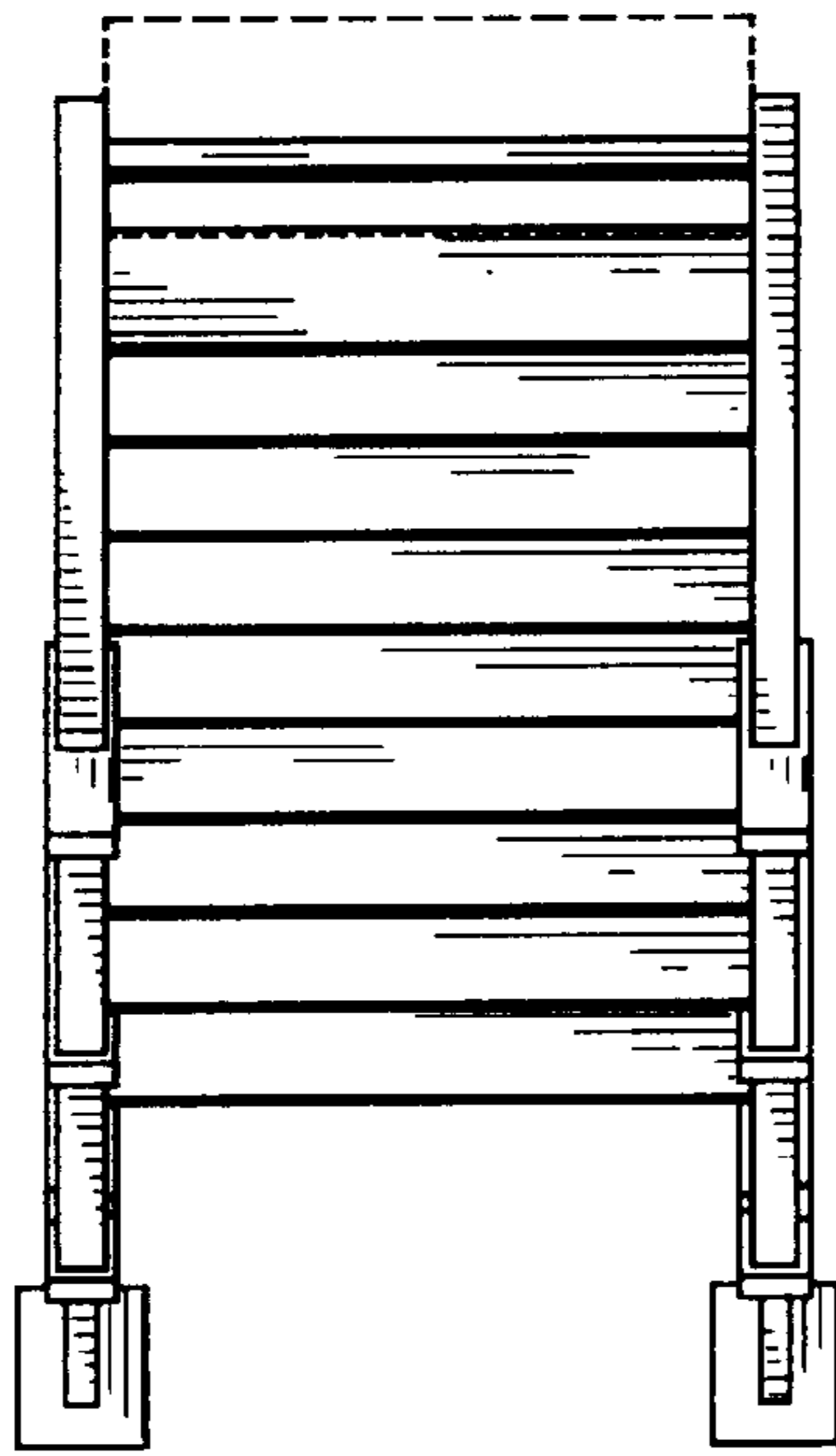
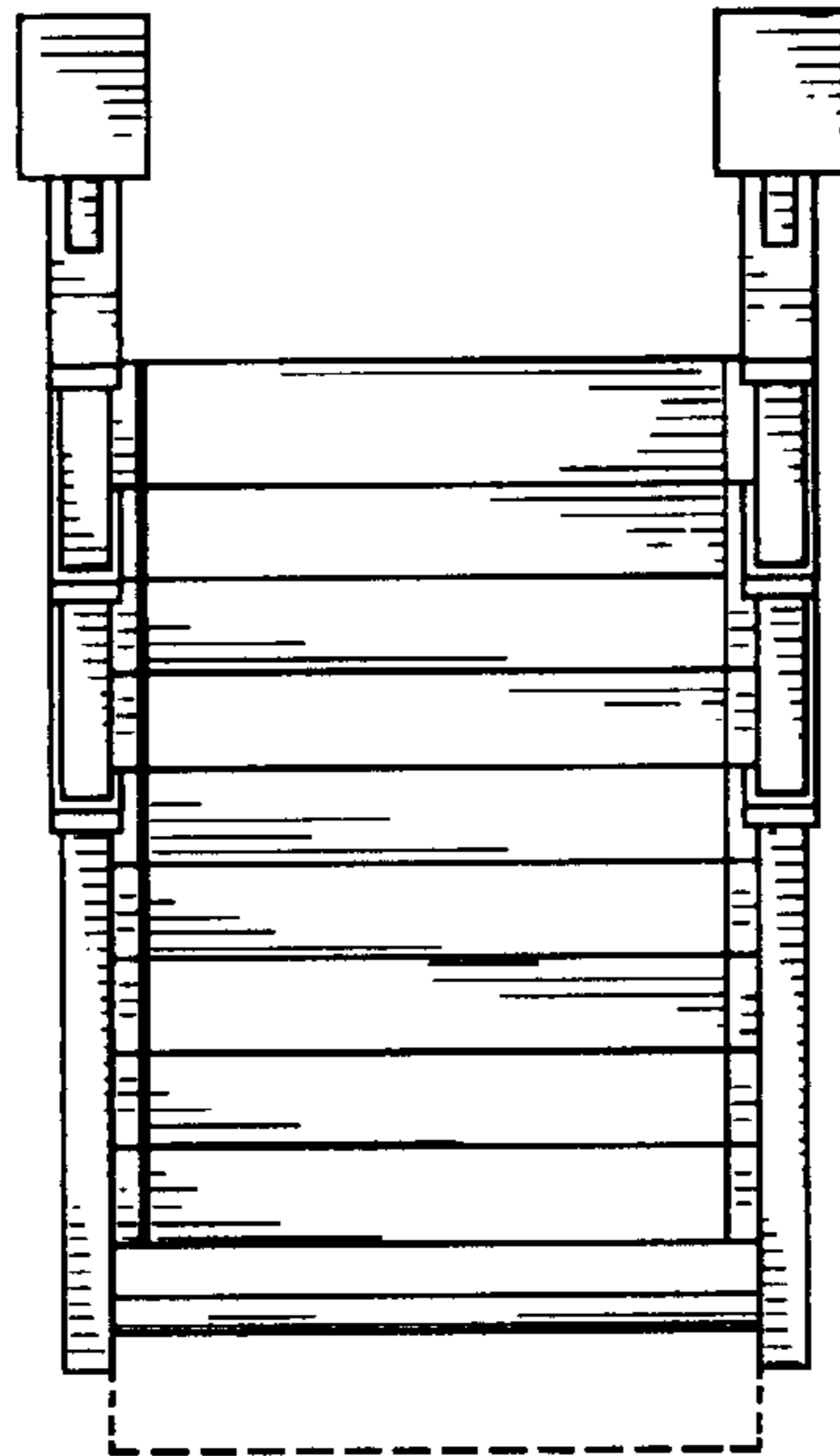


Fig. 3



*Fig. 5*



*Fig. 6*