



US00D423679S

United States Patent [19] Jenkins et al.

[11] Patent Number: **Des. 423,679**
[45] Date of Patent: **** Apr. 25, 2000**

[54] **MEDICAL ORGANIZER**

[75] Inventors: **Morris L. Jenkins**, Calhoun; **Timothy A. Franzen**, Sugar Valley, both of Ga.

[73] Assignee: **Tafco Medical Products LLC**, Calhoun, Ga.

[**] Term: **14 Years**

[21] Appl. No.: **29/089,302**

[22] Filed: **Jun. 12, 1998**

[51] **LOC (6) Cl.** **24-02**

[52] **U.S. Cl.** **D24/227; D24/229**

[58] **Field of Search** D24/227, 229, D24/230; D19/92, 95, 22, 23, 83, 84, 85; 206/370, 438, 363, 364, 366, 369, 368, 570, 571, 563, 564, 565, 557

[56] **References Cited**

U.S. PATENT DOCUMENTS

D. 202,013	8/1965	Hamilton .	
D. 202,599	10/1965	Goyke .	
D. 209,641	12/1967	Goldberg .	
D. 213,933	4/1969	Folkman .	
D. 221,908	9/1971	Berkowitz D24/227

D. 343,687	1/1994	Houghton et al.	D24/229
D. 402,767	12/1998	Davis et al.	D24/229
3,013,656	12/1961	Murphy, Jr. .	
4,085,845	4/1978	Perfect .	
4,153,160	5/1979	Leigh 206/370
4,266,669	5/1981	Watson .	
4,293,074	10/1981	Dunsky 206/572
5,031,775	7/1991	Kane .	
5,441,152	8/1995	Estes 206/570

Primary Examiner—Stella Reid
Assistant Examiner—I Simmons
Attorney, Agent, or Firm—Jones & Askew, LLP

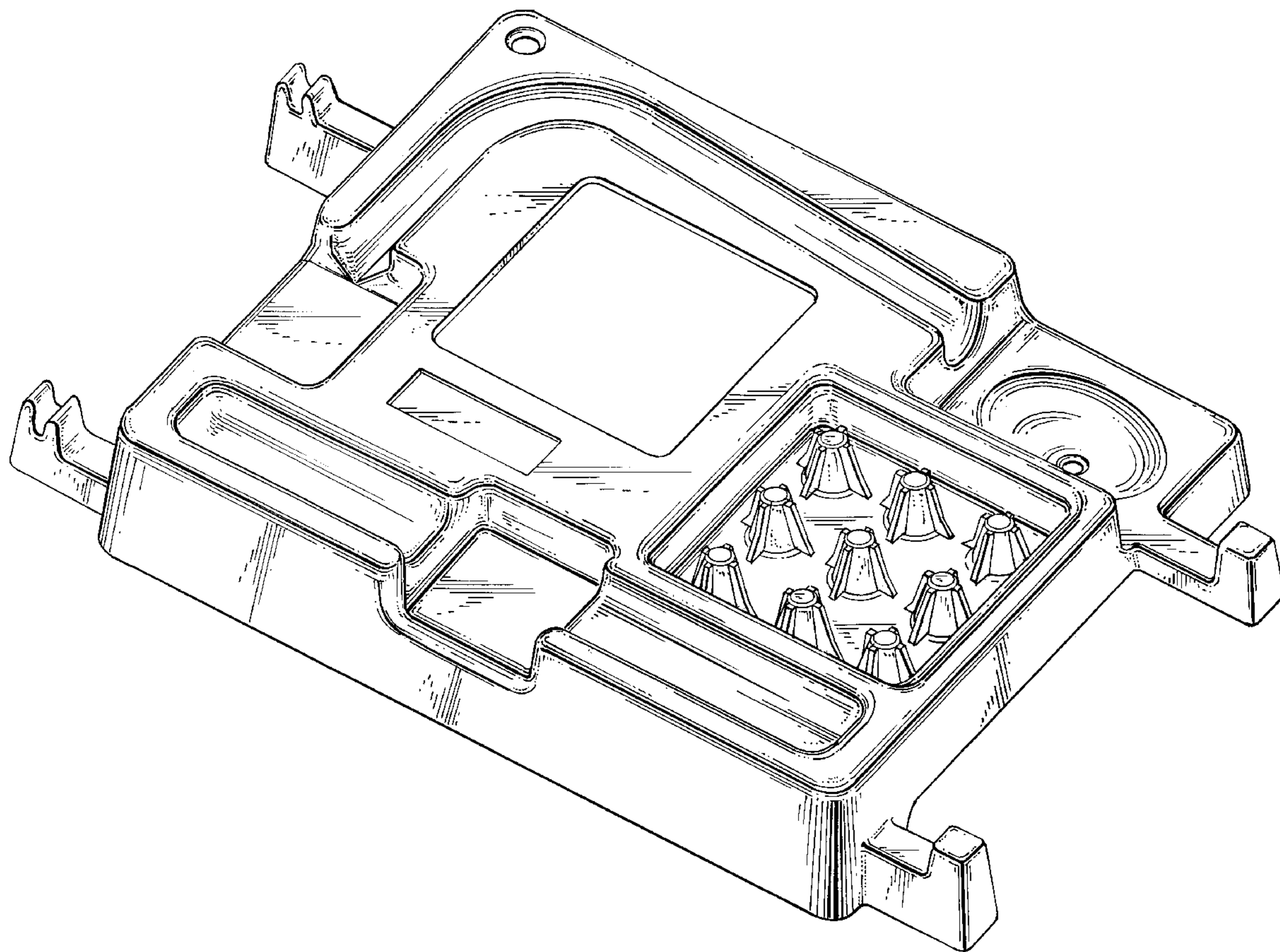
[57] **CLAIM**

The ornamental design for a medical organizer, as shown.

DESCRIPTION

FIG. 1 is a top perspective view of a medical organizer showing our design;
FIG. 2 is a top plan view thereof;
FIG. 3 is a left side view thereof;
FIG. 4 is a right side view thereof;
FIG. 5 is a bottom plan view thereof;
FIG. 6 is a front plan view thereof; and,
FIG. 7 is a back plan view thereof.

1 Claim, 4 Drawing Sheets



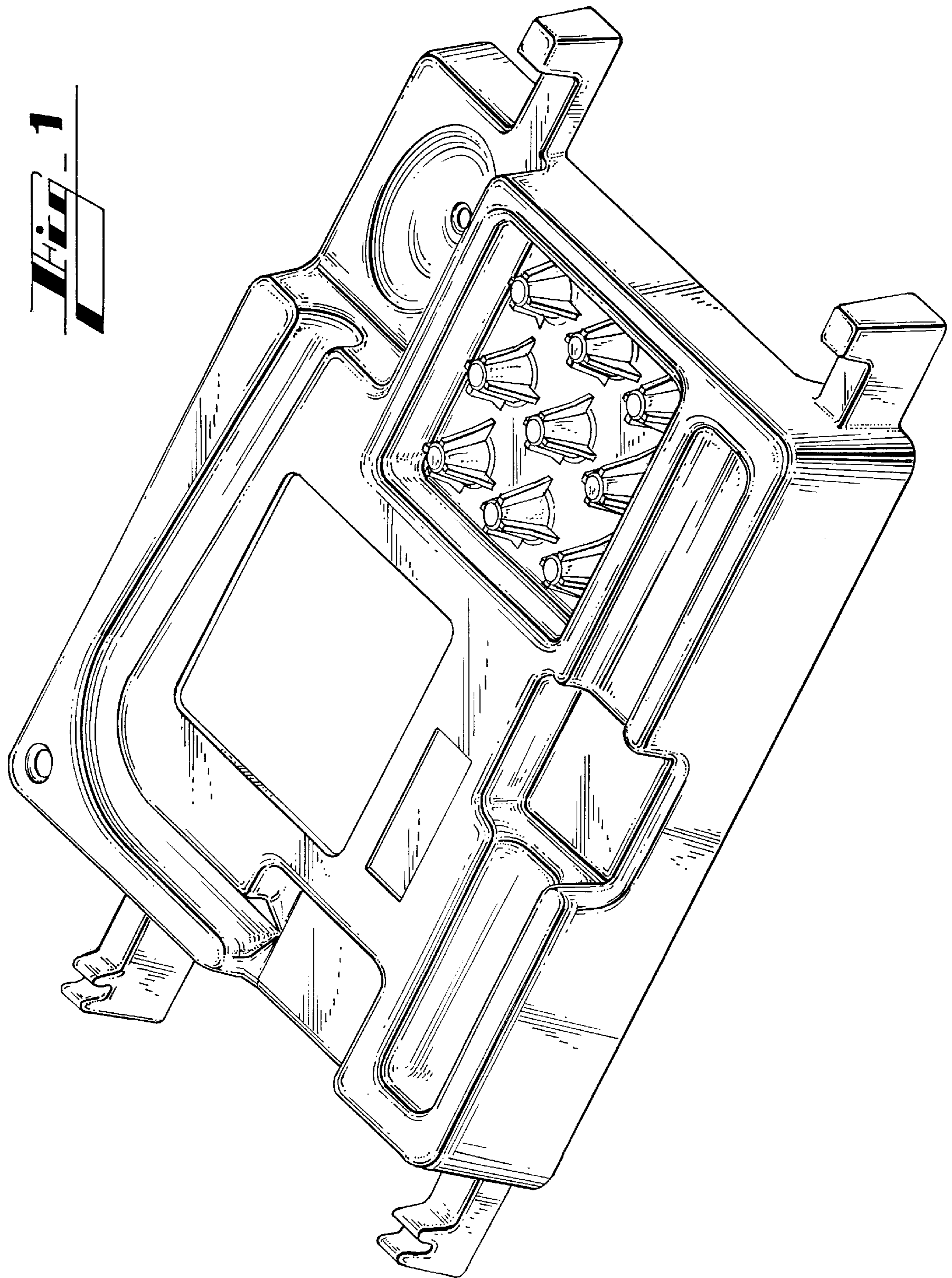


FIG. 1

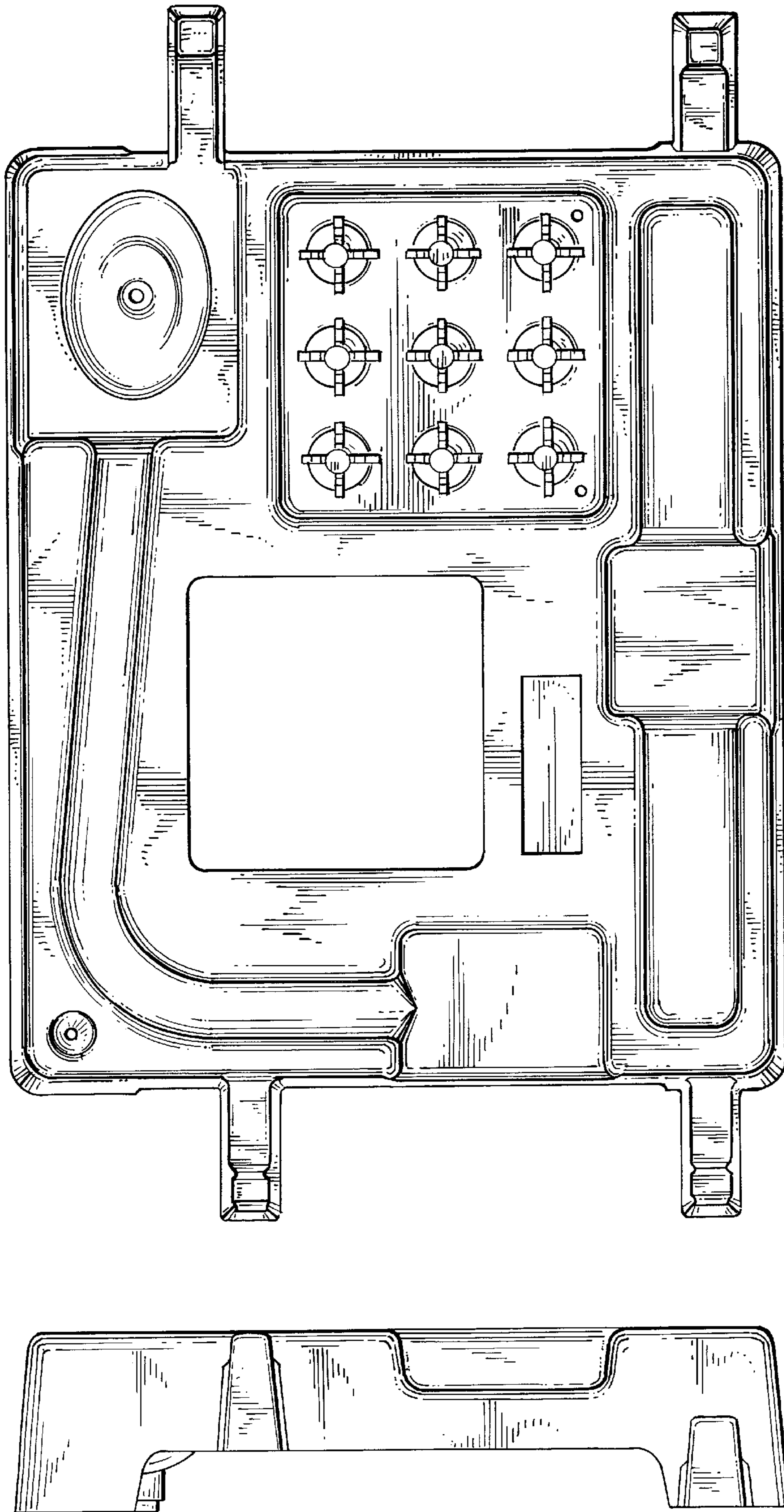


Fig. 2

Fig. 3

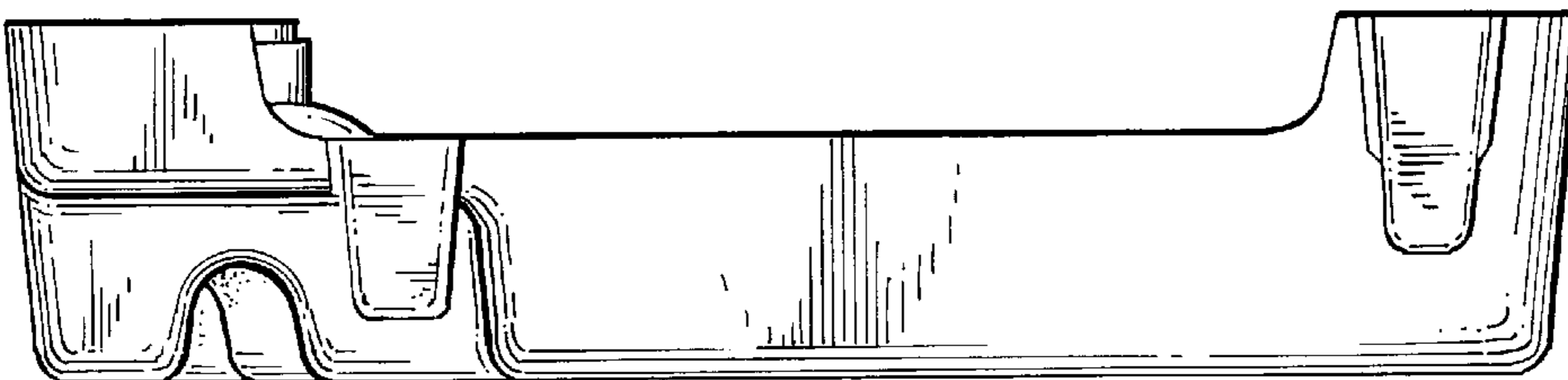
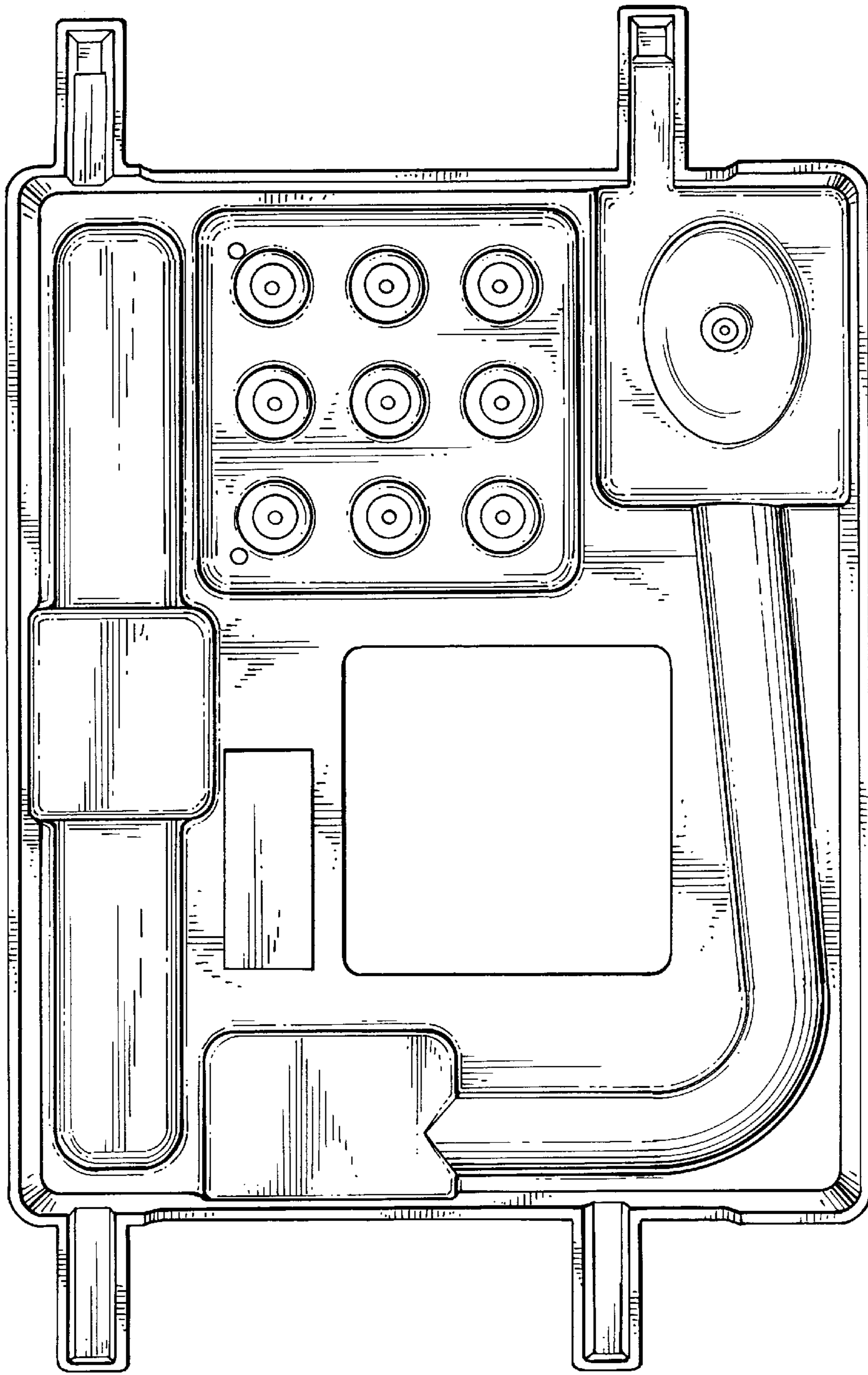


Fig. 5

Fig. 4

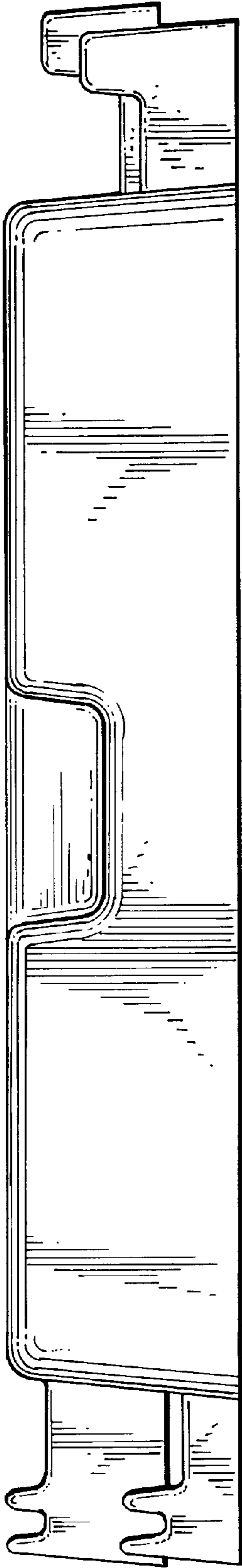


Fig. 6

Fig. 7

