



US00D423678S

United States Patent [19]
Fisch

[11] **Patent Number: Des. 423,678**

[45] **Date of Patent: ** Apr. 25, 2000**

[54] **MICROSCOPE SLIDE ASSEMBLY**

4,501,496 2/1985 Griffin 356/246
5,364,790 11/1994 Atwood et al. 435/287.2
5,417,576 5/1995 Hill 435/288.3

[76] Inventor: **Harry Fisch**, 30 Springdale Rd.,
Scarsdale, N.Y. 10583

[**] Term: **14 Years**

Primary Examiner—Louis S. Zarfes
Assistant Examiner—I Simmons
Attorney, Agent, or Firm—Chadbourne & Parke LLP

[21] Appl. No.: **29/105,463**

[57] **CLAIM**

[22] Filed: **May 26, 1999**

The ornamental design for the microscope slide assembly, as shown and described.

[51] **LOC (6) Cl.** **16-99**

[52] **U.S. Cl.** **D24/225**

[58] **Field of Search** D24/225, 226;
359/398, 397, 396, 391; D16/131; 356/244,
246; 428/210; 206/456

DESCRIPTION

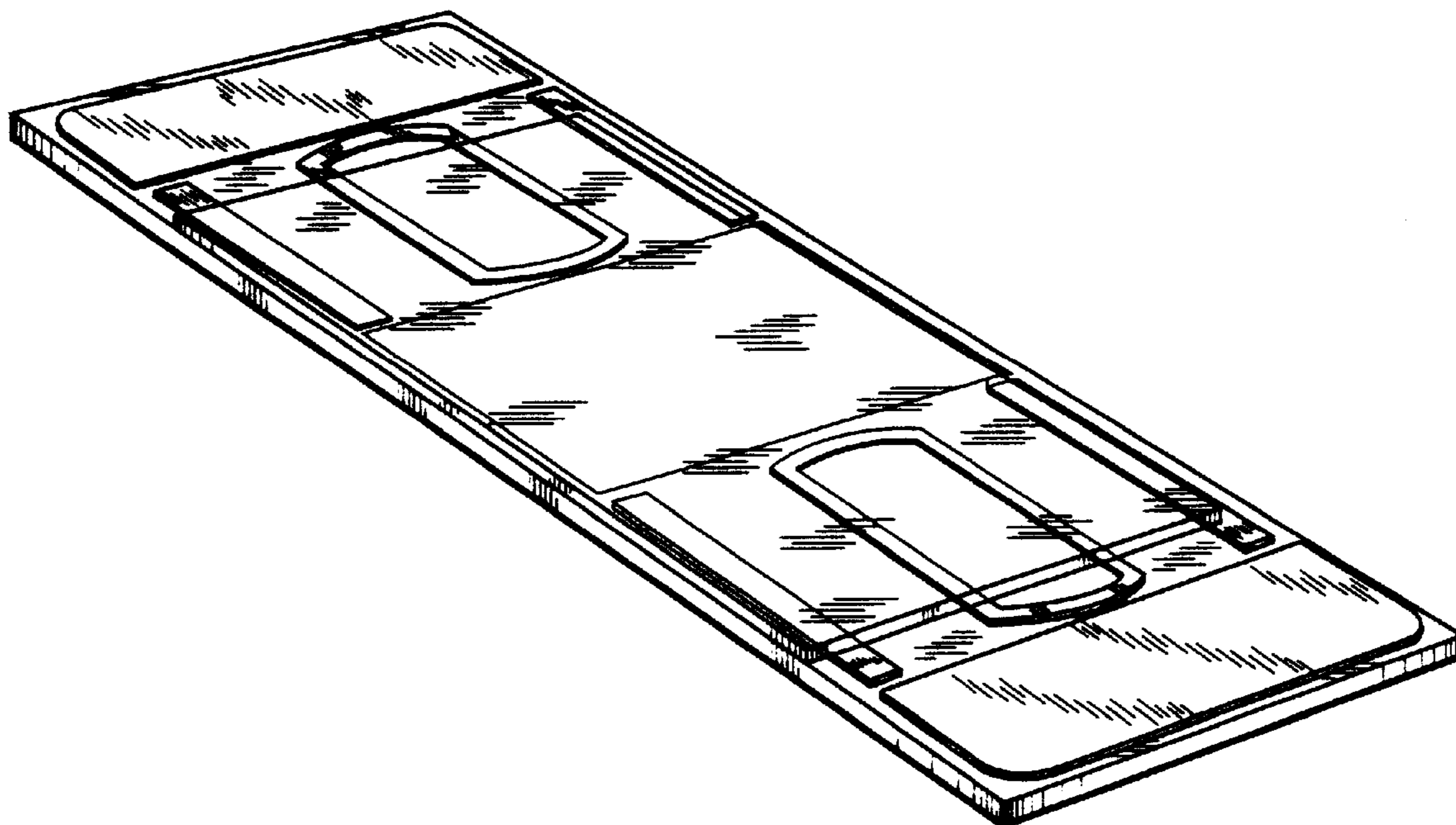
FIG. 1 is a perspective view of my new design of a microscope slide assembly;
FIG. 2 is a top view thereof;
FIG. 3 is a bottom view thereof;
FIG. 4 is a front view thereof; and,
FIG. 5 is a side view thereof.

[56] **References Cited**

U.S. PATENT DOCUMENTS

D. 218,819 9/1970 Rubin et al. D24/225
D. 227,360 6/1973 Lou D24/225

1 Claim, 2 Drawing Sheets



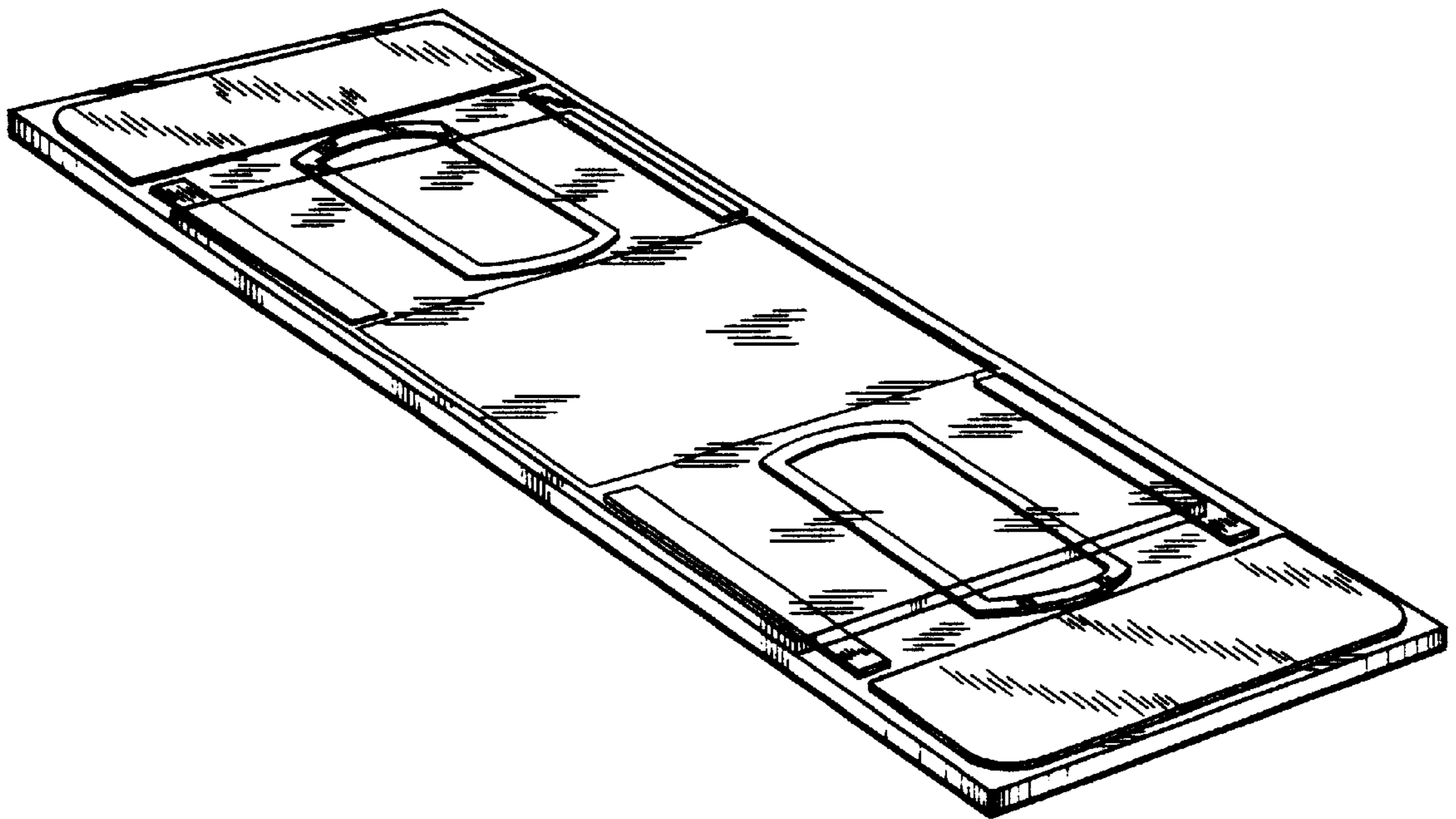


FIG. 1

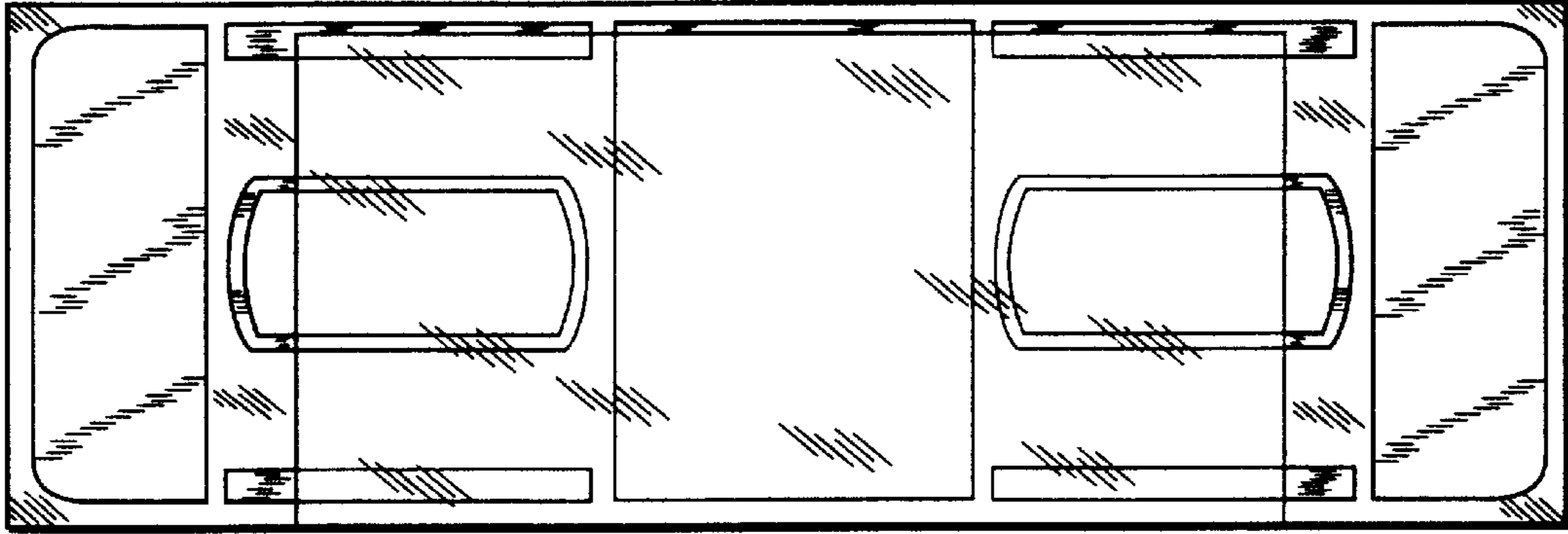


FIG. 2

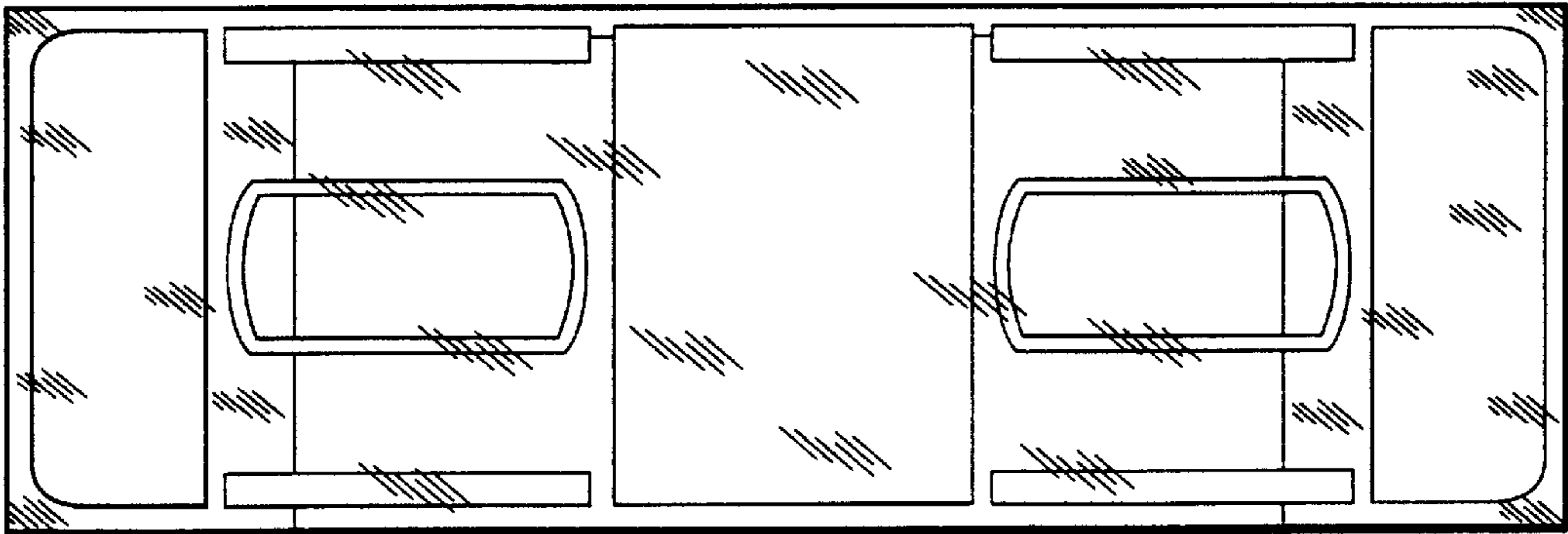


FIG. 3



FIG. 4



FIG. 5