



US00D423675S

United States Patent [19]

[11] Patent Number: **Des. 423,675**

Ramos, IV

[45] Date of Patent: **** Apr. 25, 2000**

[54] **COMBINED PACIFIER POUCH AND TETHER**

[76] Inventor: **Roman Ramos, IV**, 4132 Weyanofe Ave., Portsmouth, Va. 23703

[**] Term: **14 Years**

[21] Appl. No.: **29/096,090**

[22] Filed: **Nov. 4, 1998**

[51] **LOC (6) Cl.** **24-04**

[52] **U.S. Cl.** **D24/194**

[58] **Field of Search** D24/194, 193; 606/234, 235, 236; D3/205, 289, 226, 301

[56] **References Cited**

U.S. PATENT DOCUMENTS

D. 112,723	12/1938	Schmidt	D3/301
D. 115,805	7/1939	Wright	D3/301
D. 234,377	2/1975	Gallasch	D3/301
D. 243,366	2/1977	Lybe et al.	D83/8 B
D. 339,423	9/1993	Rohrig	D24/193
D. 340,287	10/1993	Hines	D24/194
D. 343,674	1/1994	Castillo	D24/199
D. 367,929	3/1996	English	D24/193
D. 393,074	3/1998	Fields et al.	D24/194
3,363,630	1/1968	Hines	128/360
4,493,324	1/1985	Johnston	128/360

4,765,037	8/1988	Perry	24/301
4,903,698	2/1990	Huber et al.	606/235
4,969,894	11/1990	Hempstead-Harris	606/234
5,131,096	7/1992	Olson	2/75
5,150,504	9/1992	Cohen	24/302
5,156,617	10/1992	Reid	606/234
5,201,703	4/1993	Gentelia et al.	604/4
5,665,113	9/1997	Decker et al.	606/234

Primary Examiner—Stella Reid
Attorney, Agent, or Firm—John D. Gugliotta

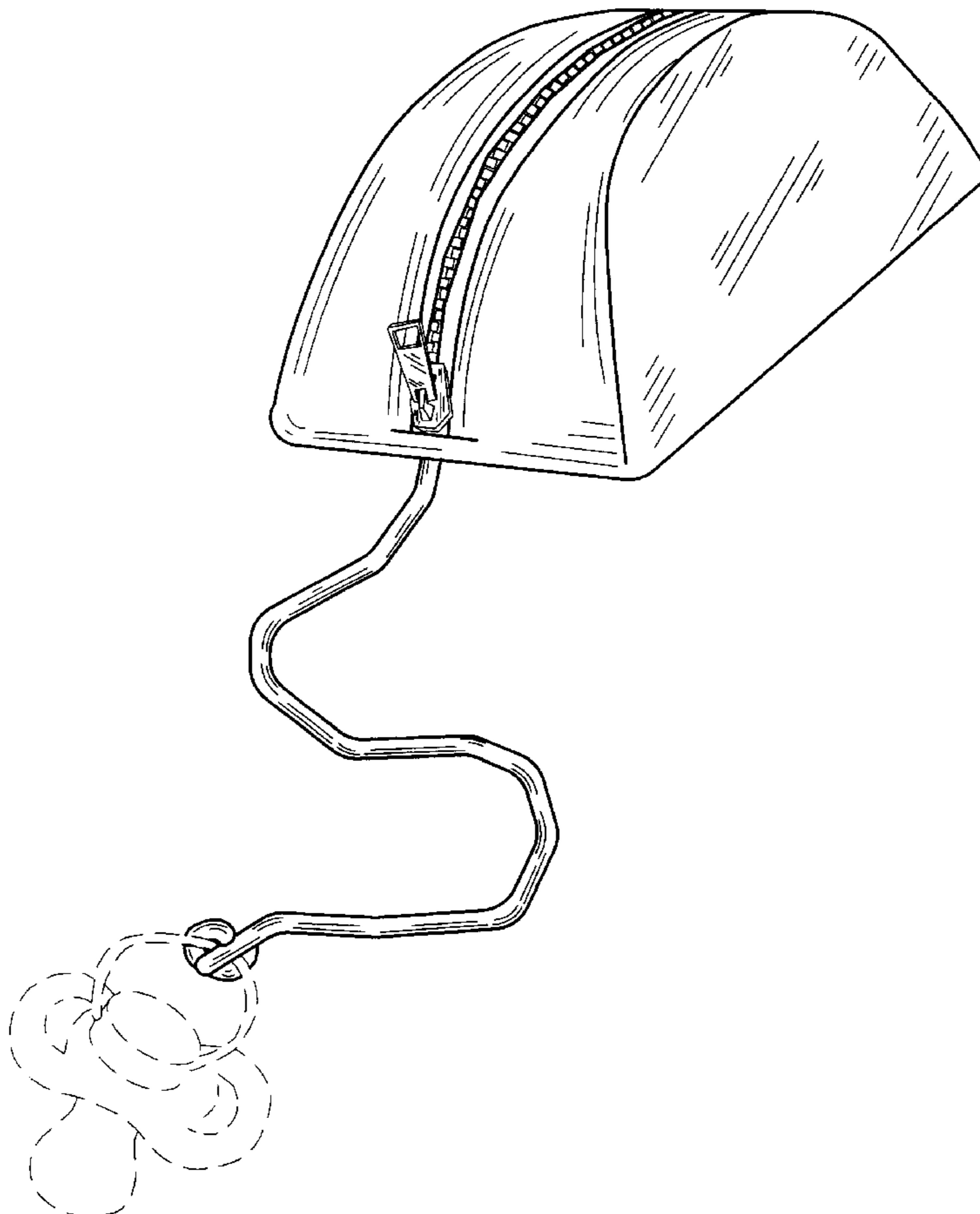
[57] **CLAIM**

The ornamental design for a combined pacifier pouch and tether, as shown and described.

DESCRIPTION

FIG. 1 is a front perspective view of a combined pacifier pouch and tether, in use, showing my new design; FIG. 2 is a top plan view thereof; FIG. 3 is a bottom plan view thereof; FIG. 4 is a front elevational view thereof; FIG. 5 is a rear elevational view thereof; FIG. 6 is a left side elevational view thereof; and, FIG. 7 is a right side elevational view thereof. The broken line showing of the pacifier is for illustrative purposes only and forms no part of the claimed design.

1 Claim, 4 Drawing Sheets



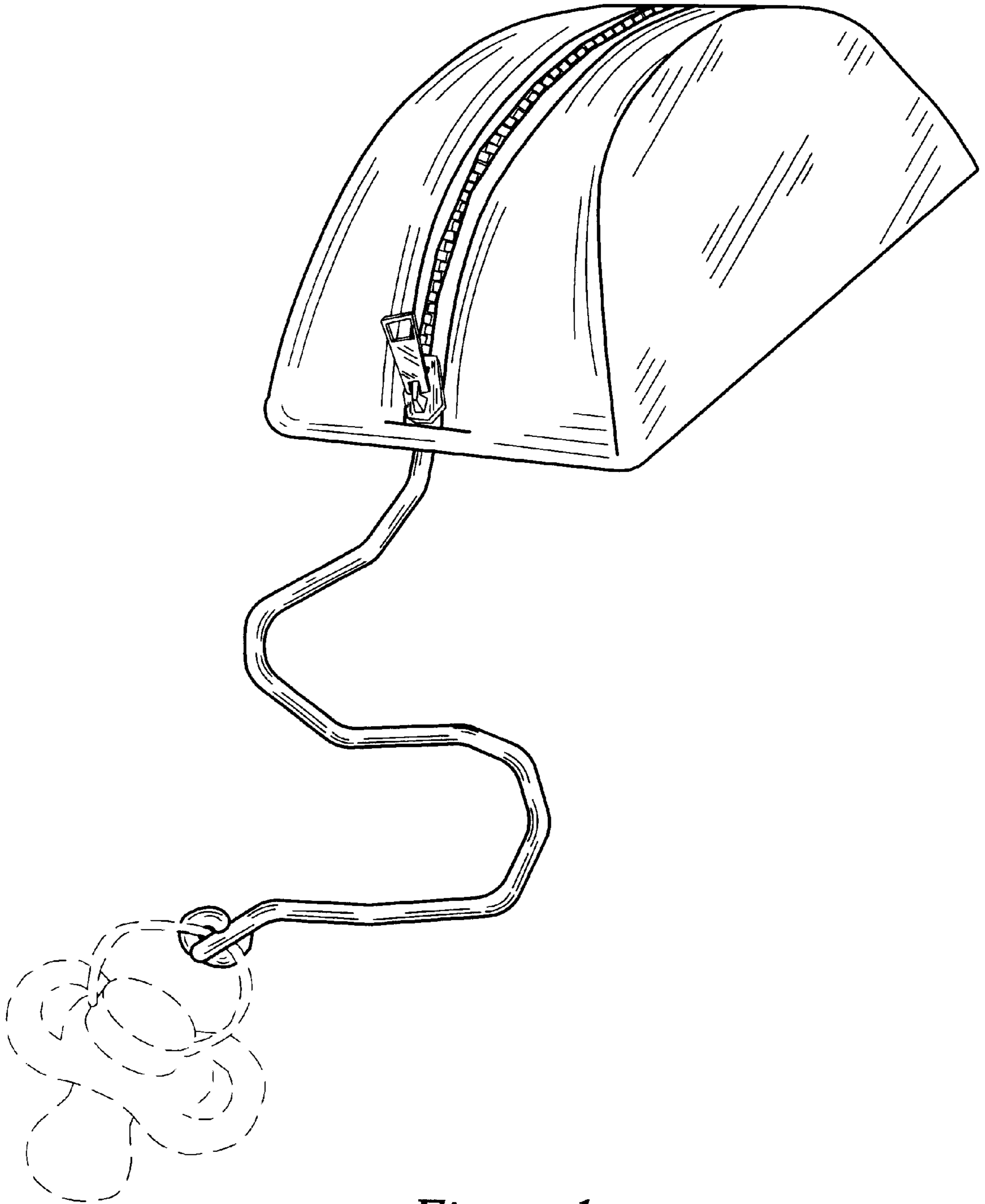


Figure 1

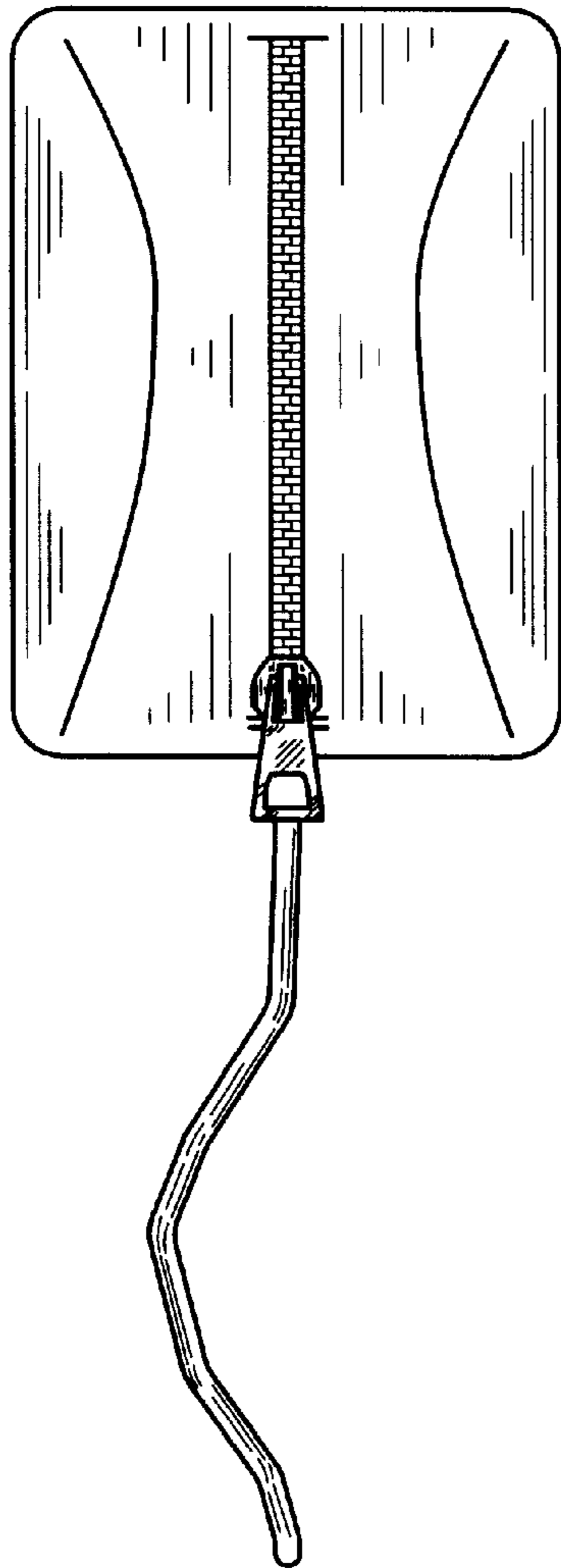


Figure 2

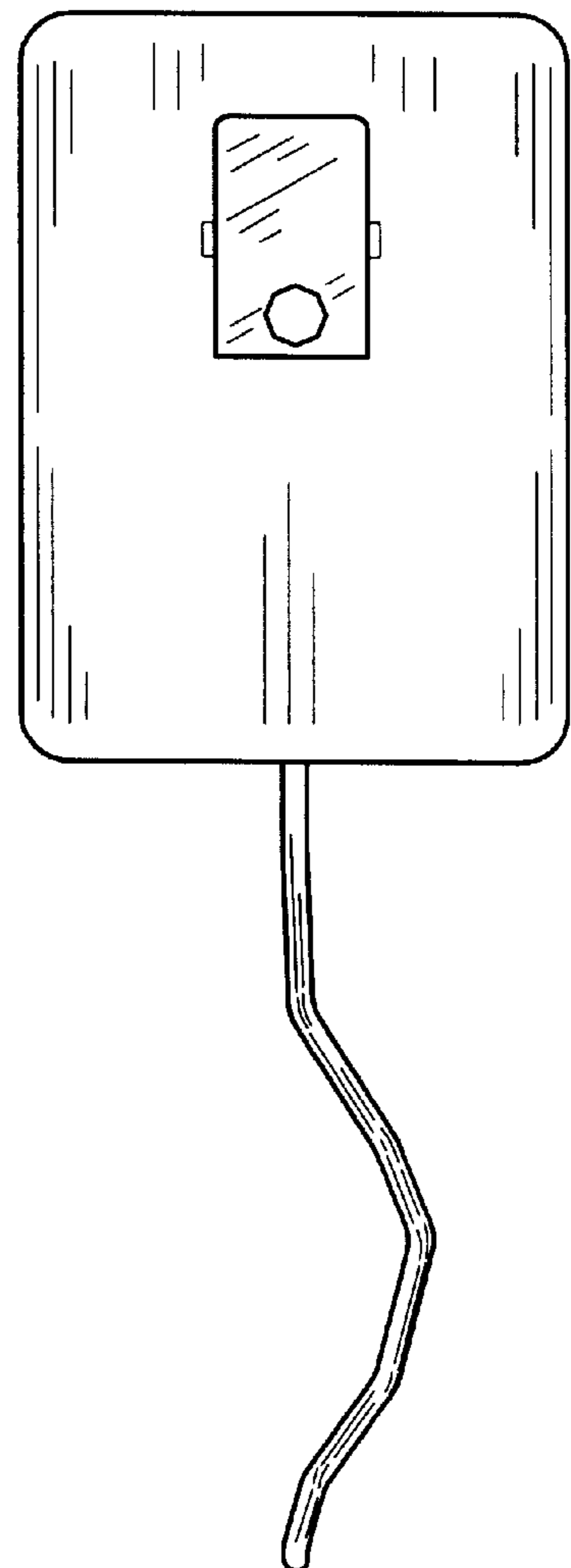


Figure 3

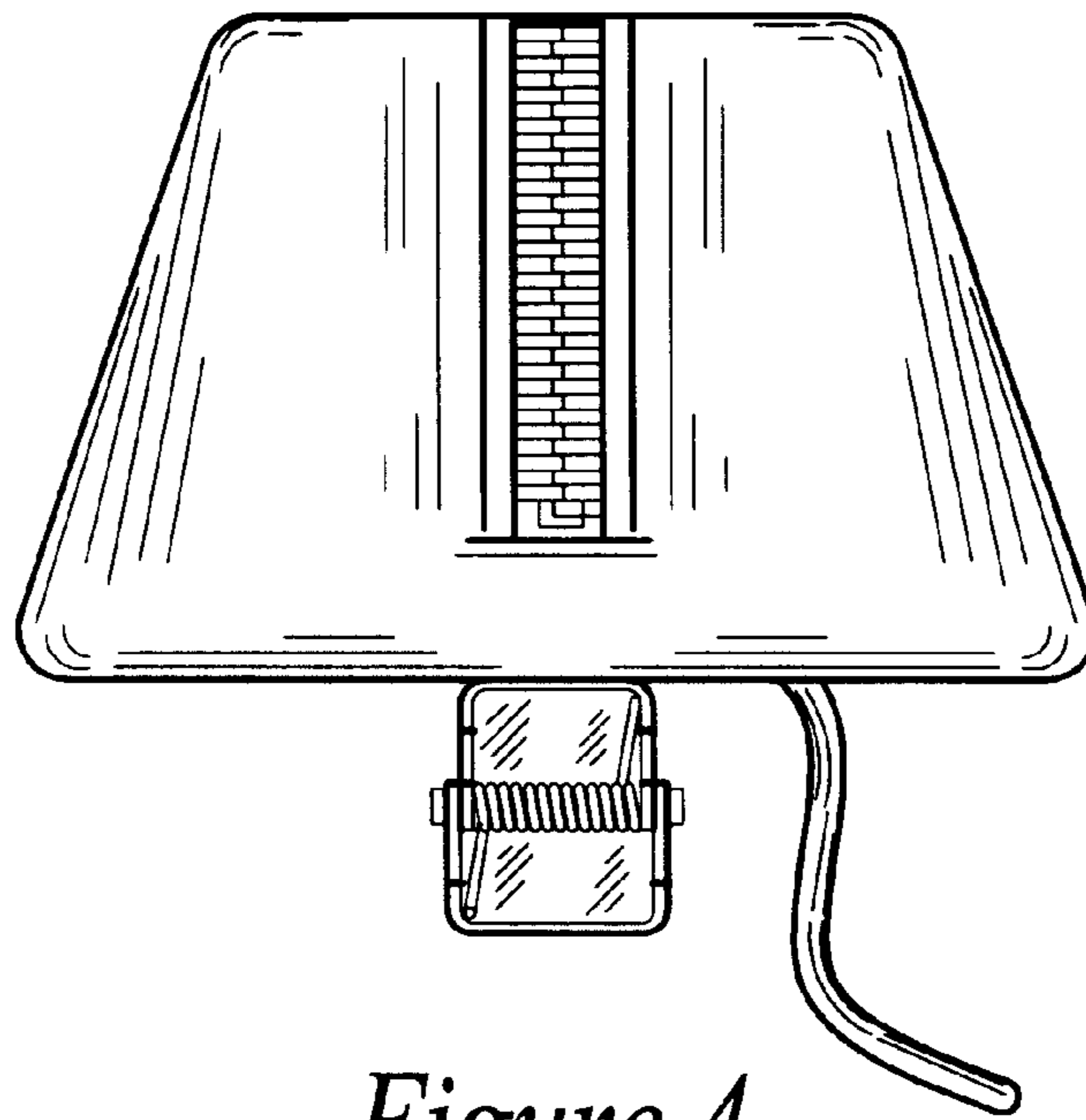


Figure 4

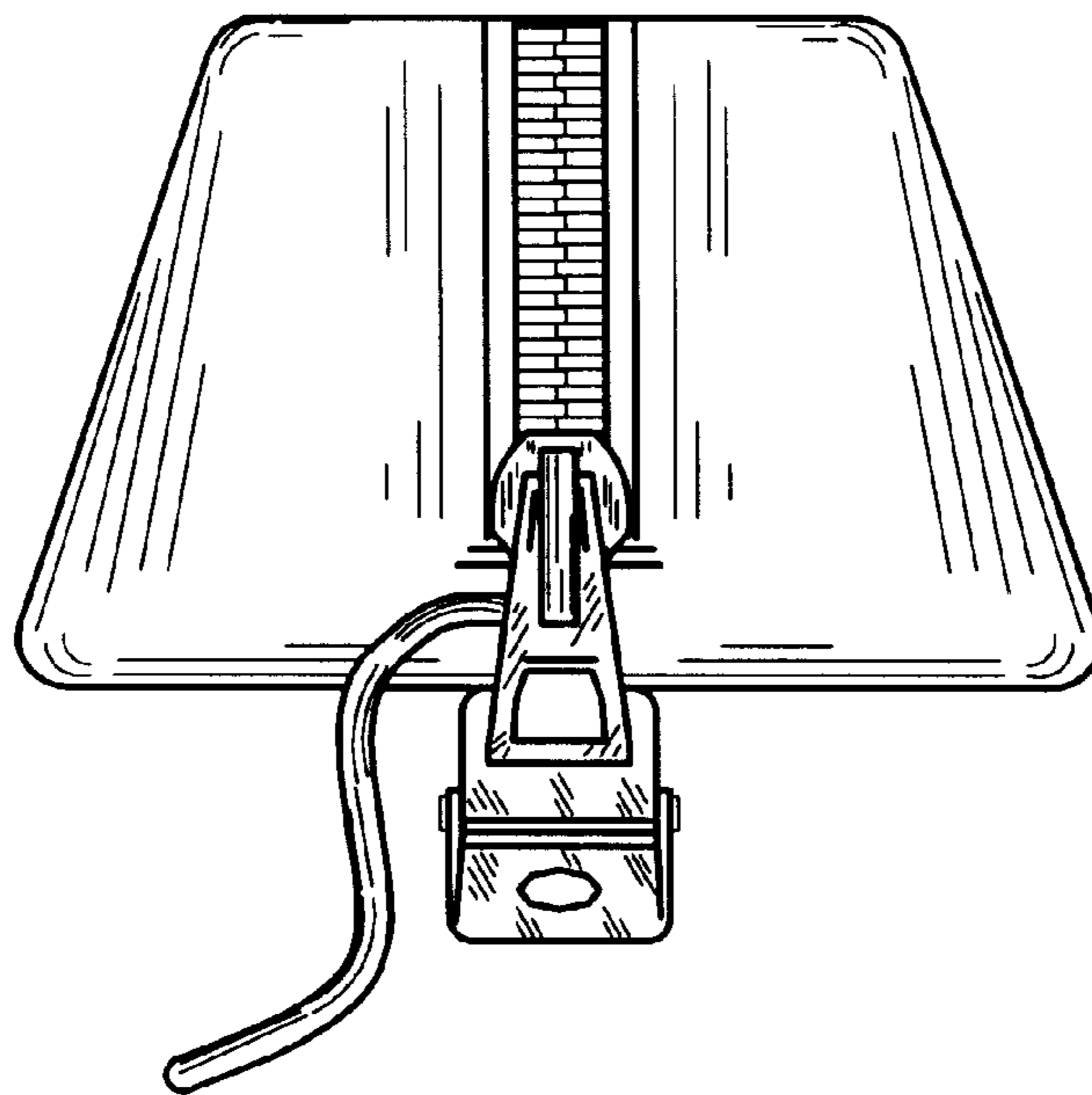


Figure 5

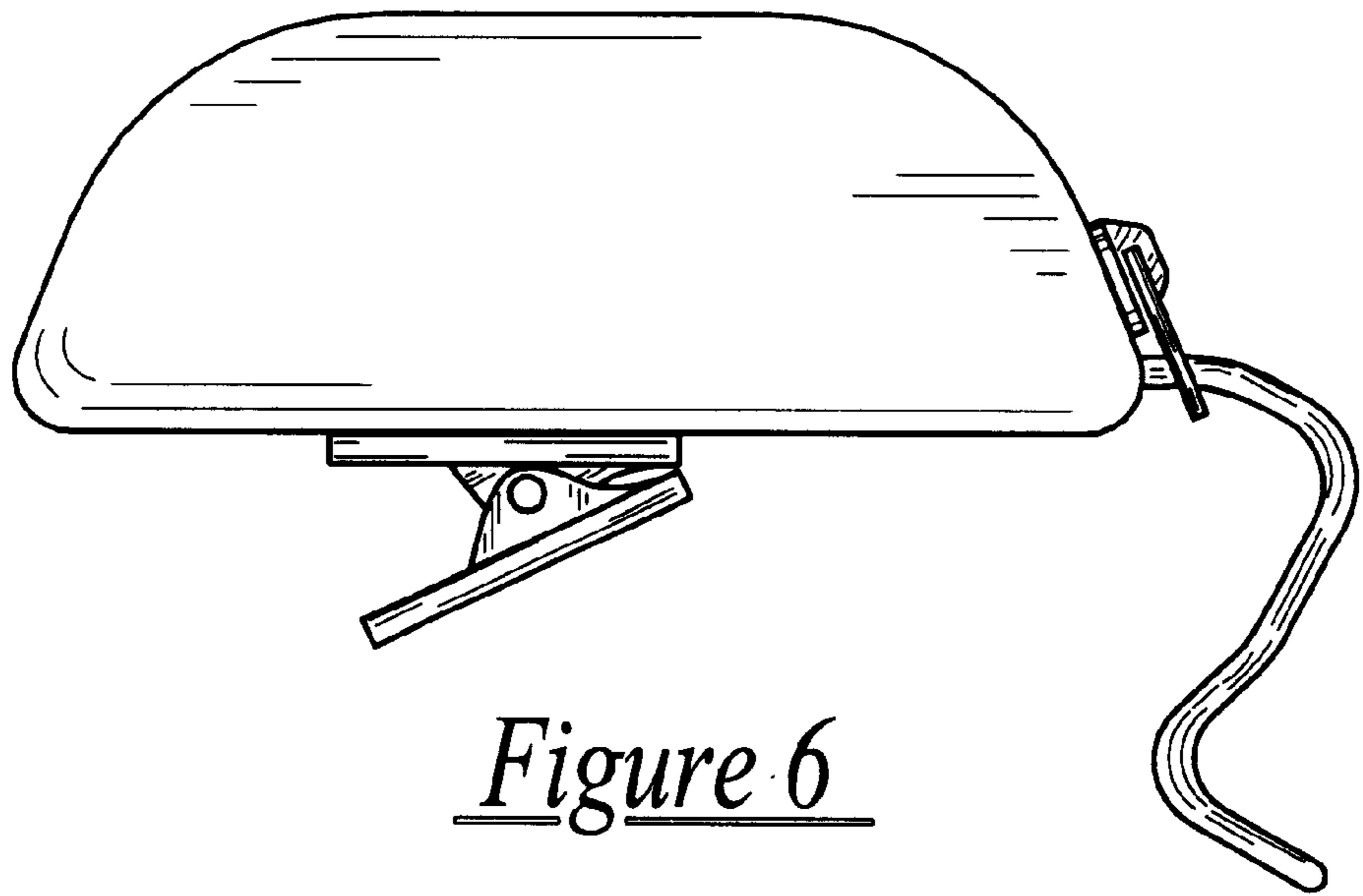


Figure 6

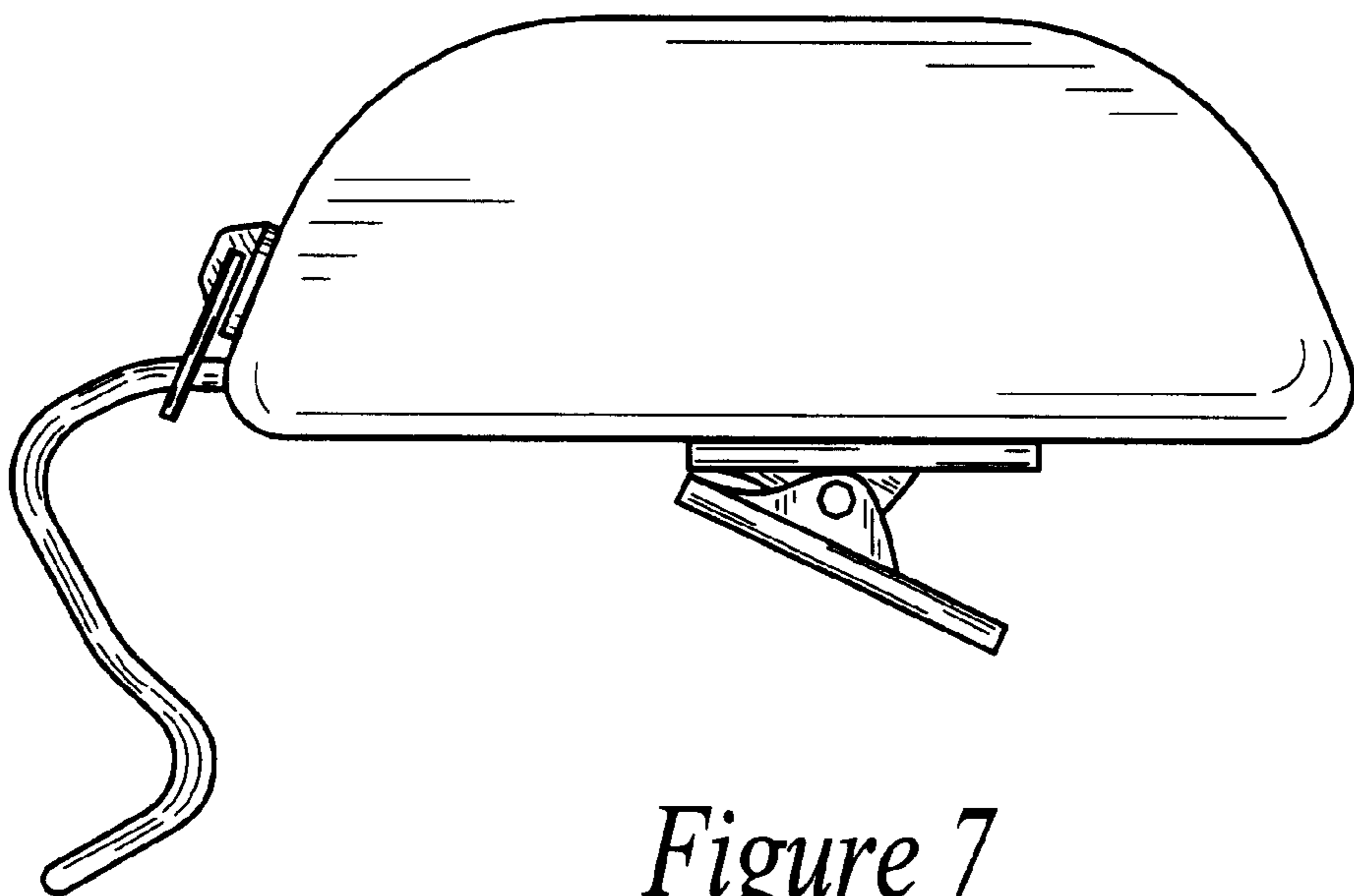


Figure 7