



US00D423666S

United States Patent [19]
Griswold

[11] **Patent Number: Des. 423,666**

[45] **Date of Patent: ** Apr. 25, 2000**

[54] **CRYOSURGICAL INSTRUMENT**

Attorney, Agent, or Firm—M. P. Williams

[75] Inventor: **Thomas A. Griswold**, Ellington, Conn.

[57] **CLAIM**

[73] Assignee: **Brymill Corporation**, Vernon, Conn.

The ornamental design for a cryosurgical instrument, as shown and described.

[**] Term: **14 Years**

[21] Appl. No.: **29/084,205**

DESCRIPTION

[22] Filed: **Feb. 26, 1998**

FIG. 1 is a perspective view of the cryosurgical instrument, with a rotatable valve operating lever in a first position.

[51] **LOC (6) Cl.** **24-02**

[52] **U.S. Cl.** **D24/133**

[58] **Field of Search** D24/133, 206,
D24/200, 207, 107; D7/300, 448, 443;
606/23, 25, 20, 22; 62/48.1, 50.2, 293

FIG. 2 is a perspective view of the cryosurgical instrument of FIG. 1 with the valve operating lever in a second position.

FIG. 3 is a perspective view of the cryosurgical instrument of FIG. 1 with the valve operating lever in a third position; and,

[56] **References Cited**

U.S. PATENT DOCUMENTS

3,651,813	3/1972	Bryne	606/22 X
4,116,199	9/1978	Bryne	606/22
5,098,428	3/1992	Sandlin et al.	606/22
5,488,831	2/1996	Griswold	62/48.1

The bottom surface of the cryosurgical instrument not shown in the drawing or described in the specification forms no part of the claimed design.

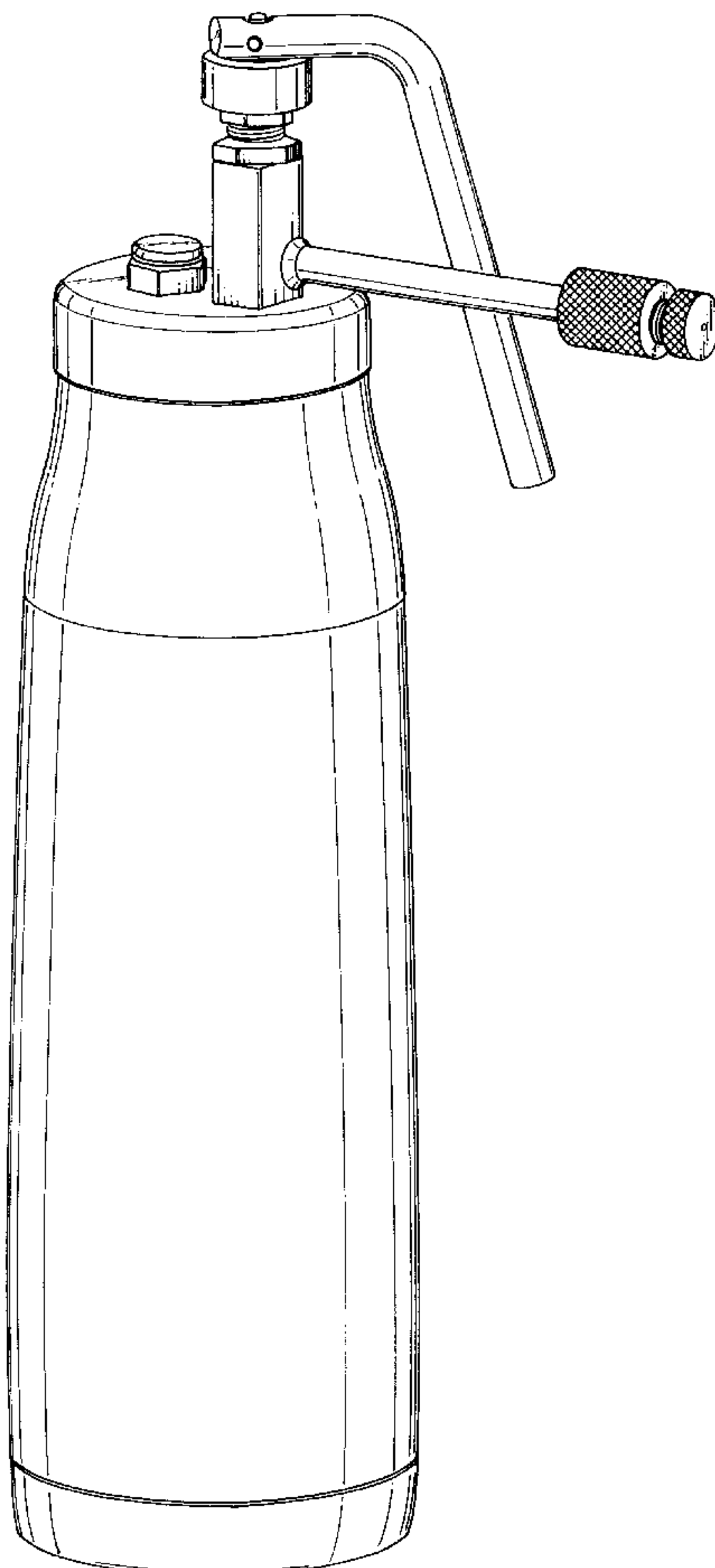
The undisclosed surfaces of the article not shown in the drawing are the same as the corresponding surfaces which are shown.

OTHER PUBLICATIONS

CRY-AC® photo of devices in use for more than one year.

Primary Examiner—Stella Reid
Assistant Examiner—I Simmons

1 Claim, 3 Drawing Sheets



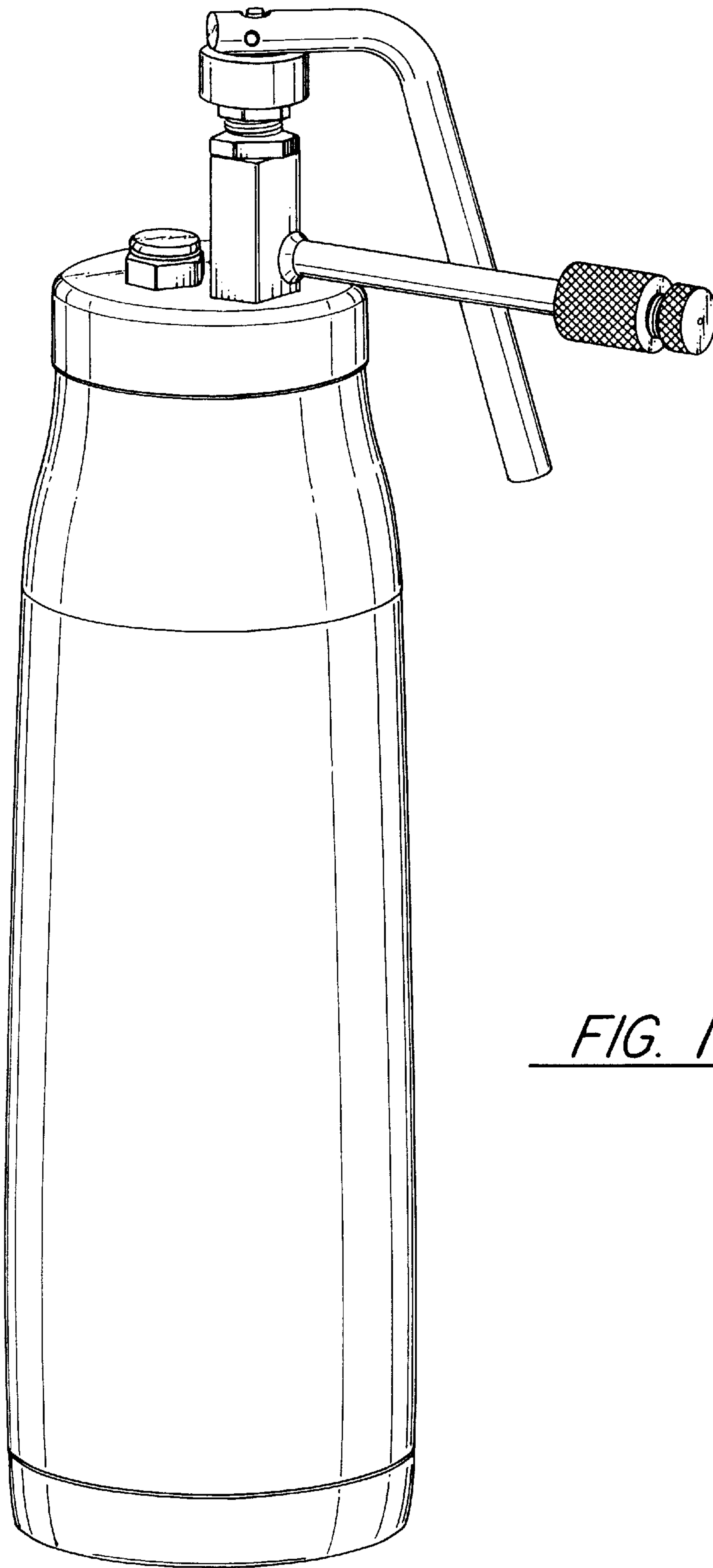


FIG. 1

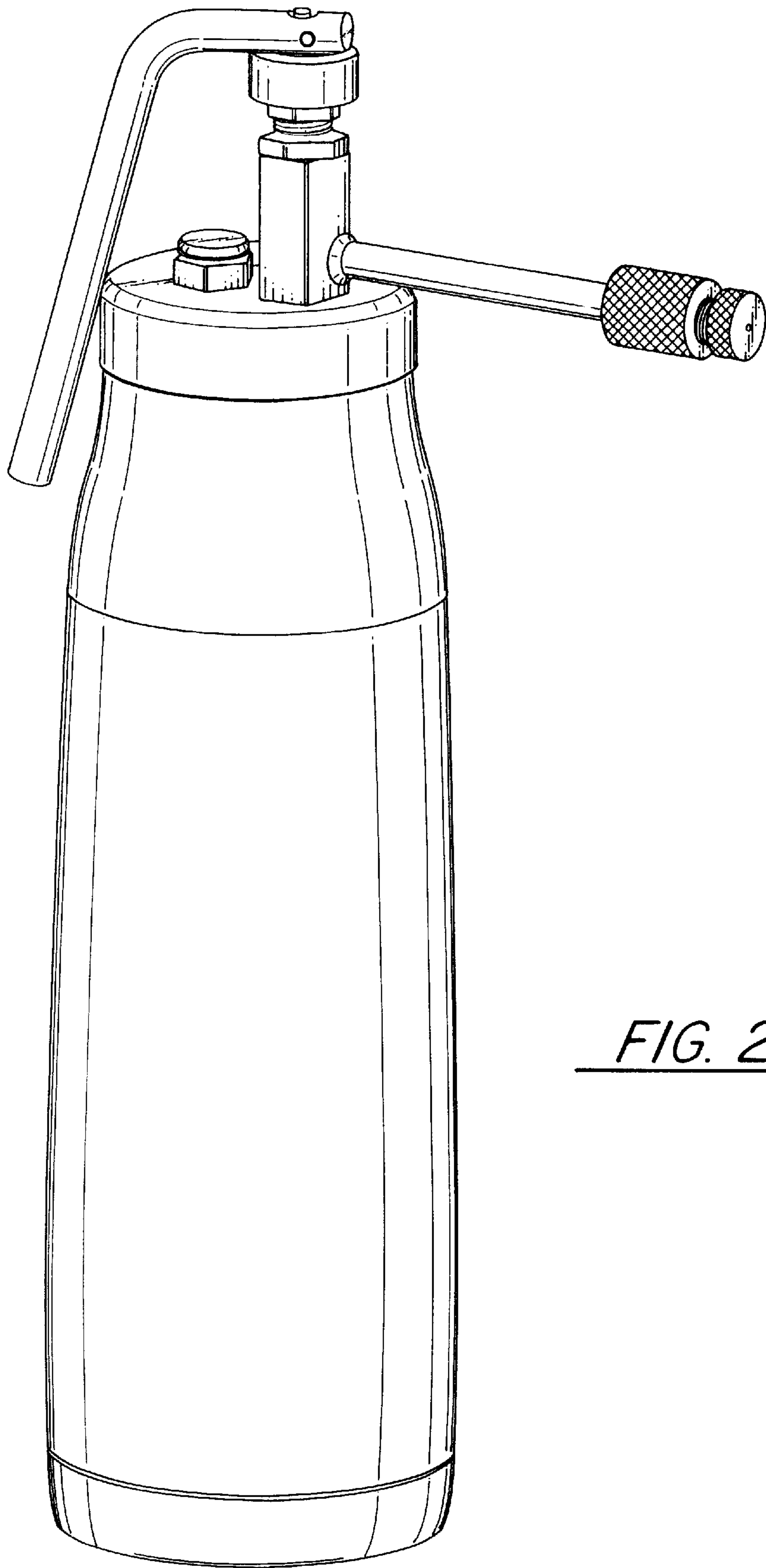


FIG. 2

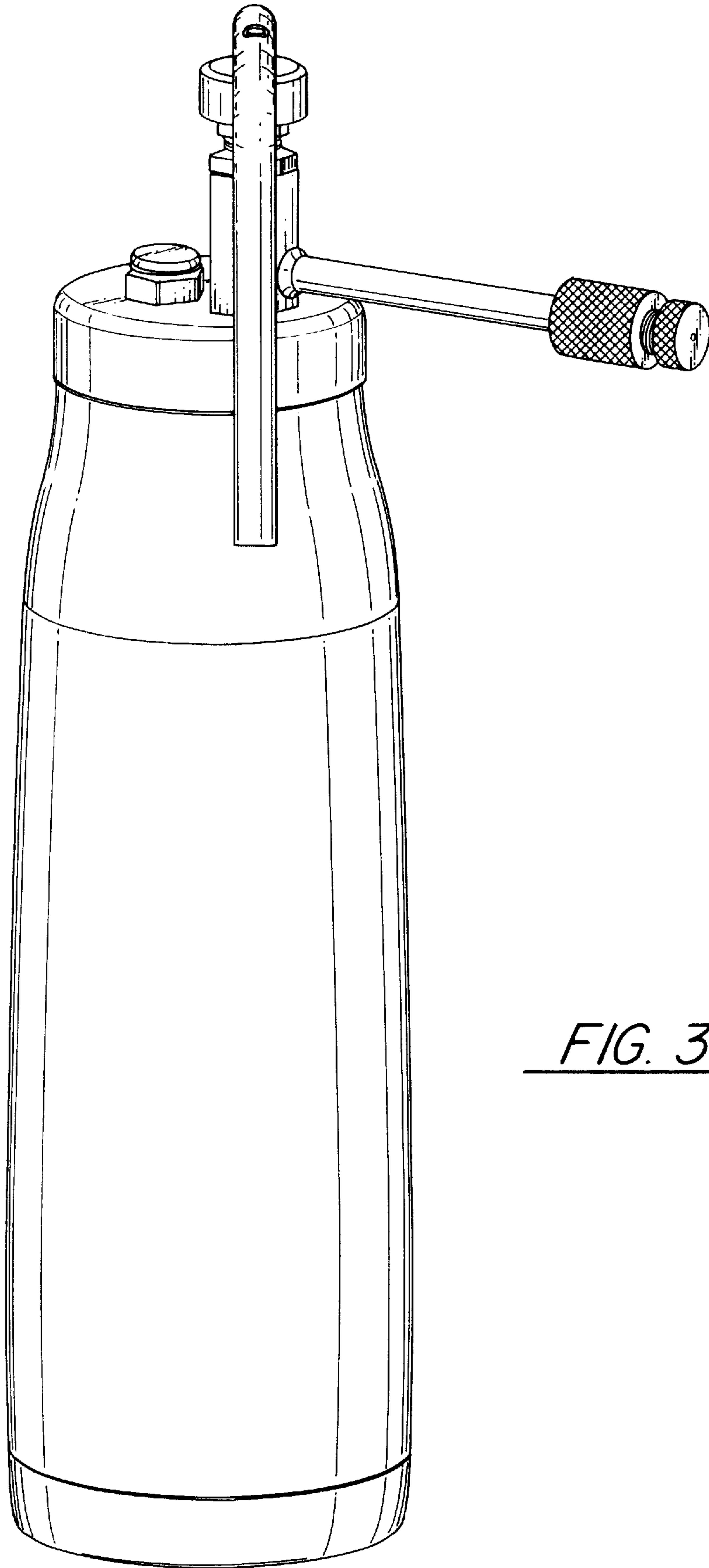


FIG. 3