



US00D423665S

United States Patent [19]

Herbst et al.

[11] Patent Number: **Des. 423,665**

[45] Date of Patent: **** Apr. 25, 2000**

[54] **DENTAL ANESTHETIC DELIVERY PUMP**

[76] Inventors: **Walter Herbst**, 1875 N. Pond La., Lake Forest, Ill. 60045; **Gary Prokop**, 830 Pick St., Wheaton, Ill. 60187; **Josh Goldfarb**, 1610 N. Wolcott, Chicago, Ill. 60622

[**] Term: **14 Years**

[21] Appl. No.: **29/087,144**

[22] Filed: **Apr. 27, 1998**

[51] **LOC (6) Cl.** **24-01**

[52] **U.S. Cl.** **D24/111; D24/107**

[58] **Field of Search** D24/107, 108, D24/111, 156, 176, 221, 177; 604/131, 218, 135-141, 146, 151, 154; 128/203, 203.02; D15/7, 9

[56] **References Cited**

U.S. PATENT DOCUMENTS

D. 394,268 5/1998 Evans et al. D15/7

D. 406,268	3/1999	Lamond et al.	D15/7
5,383,858	1/1995	Reilly et al.	604/131
5,637,095	6/1997	Nason et al.	604/135
5,873,861	2/1999	Hitchins et al.	604/218
5,947,929	9/1999	Trull	604/152

Primary Examiner—Stella Reid

[57] **CLAIM**

The ornamental design for a dental anesthetic delivery pump, as shown and described.

DESCRIPTION

FIG. 1 is a perspective view thereof;
FIG. 2 is a top plan view thereof;
FIG. 3 is a side elevational view thereof;
FIG. 4 is a front elevational view thereof;
FIG. 5 is a rear elevational view thereof; and,
FIG. 6 is a bottom plan view thereof.

1 Claim, 3 Drawing Sheets

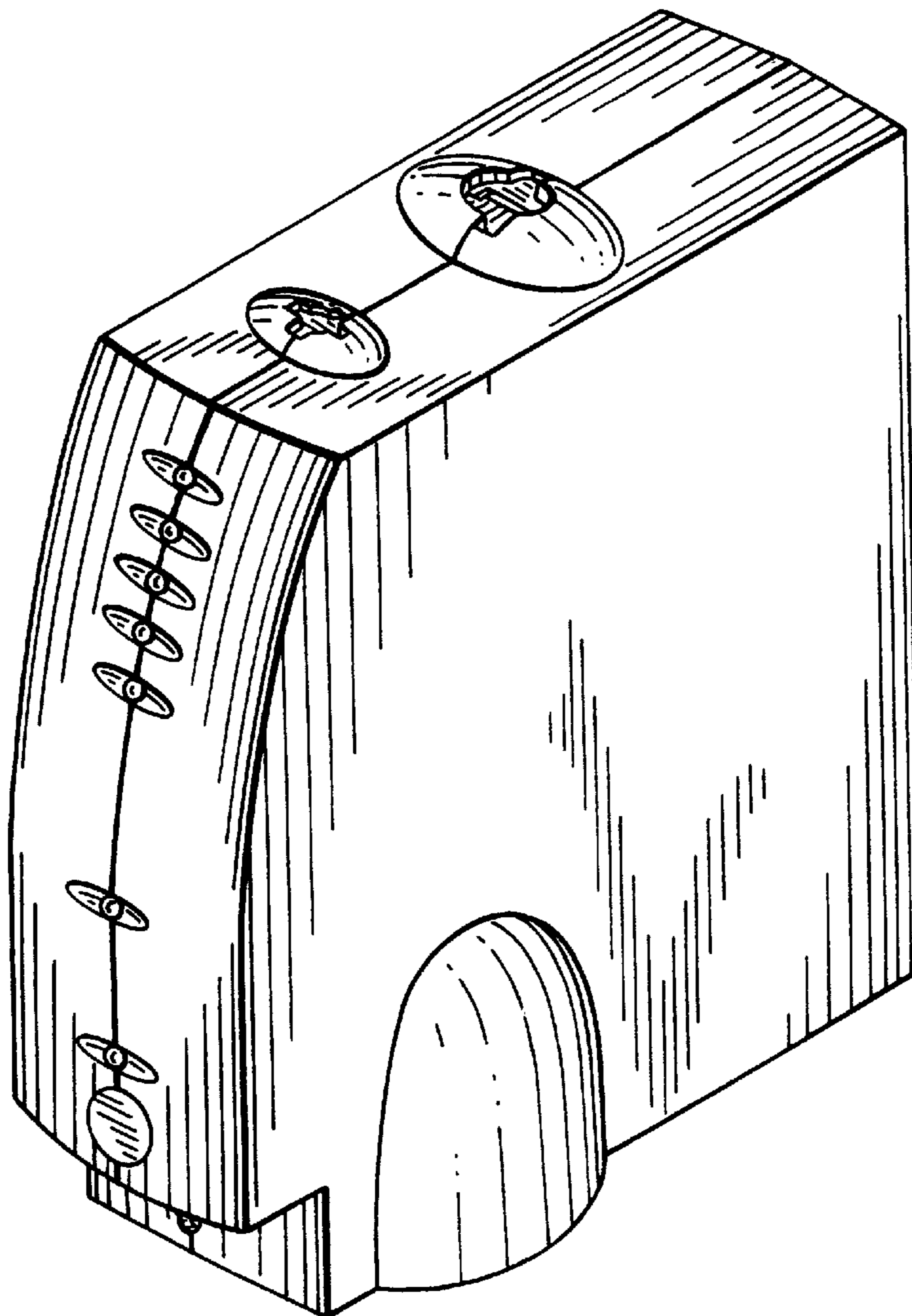


FIG. 1

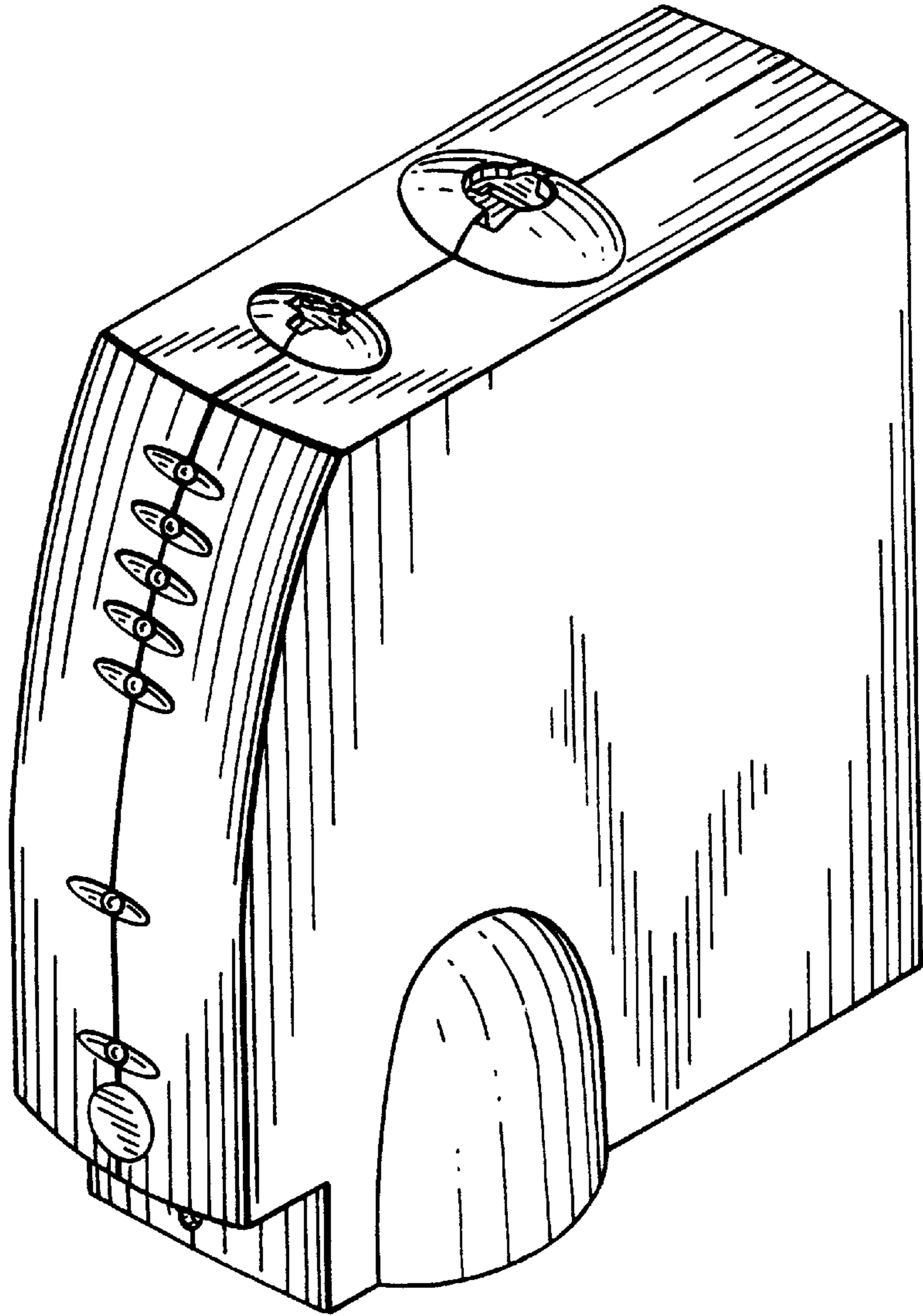


FIG. 2

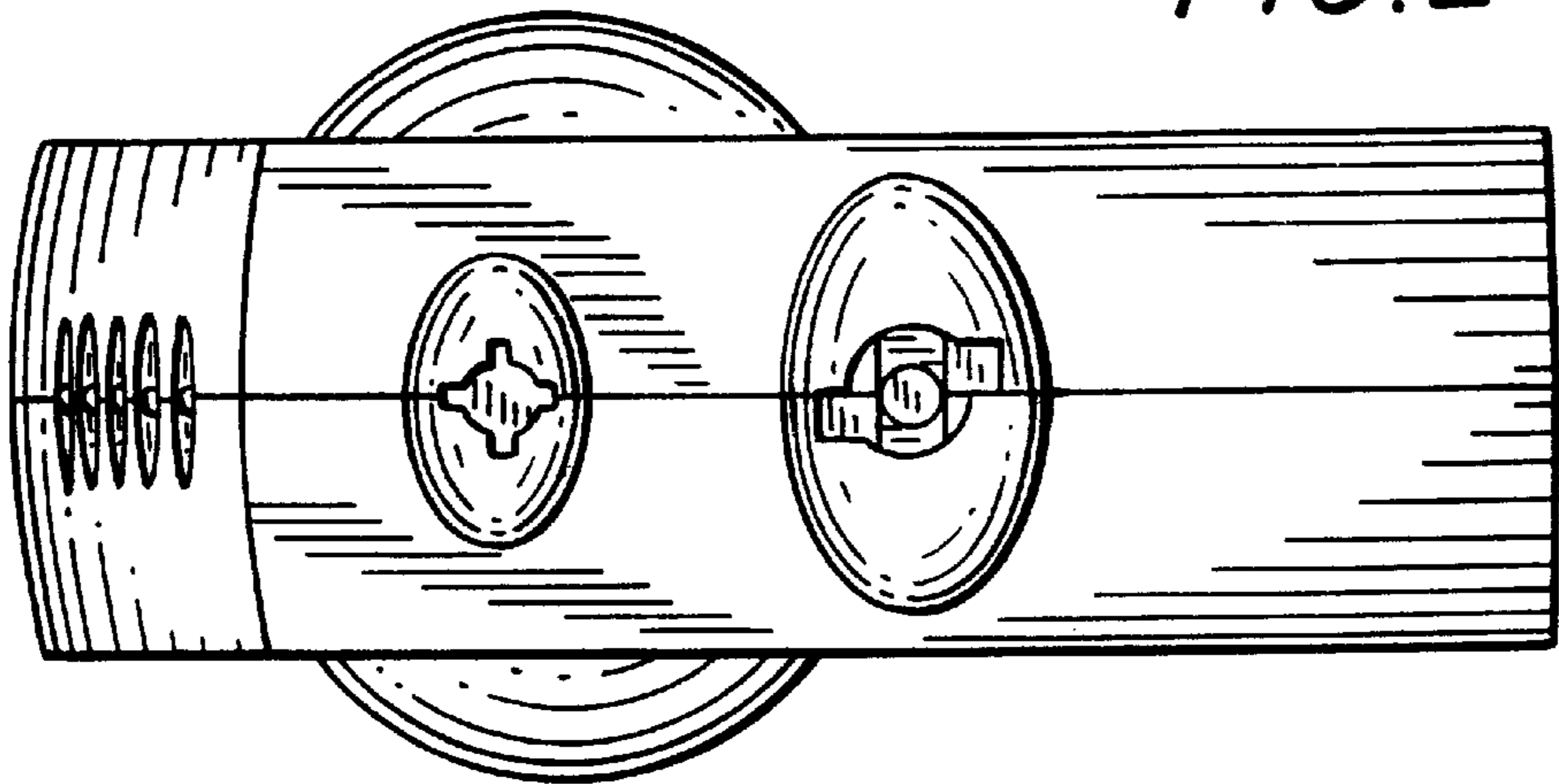


FIG. 4

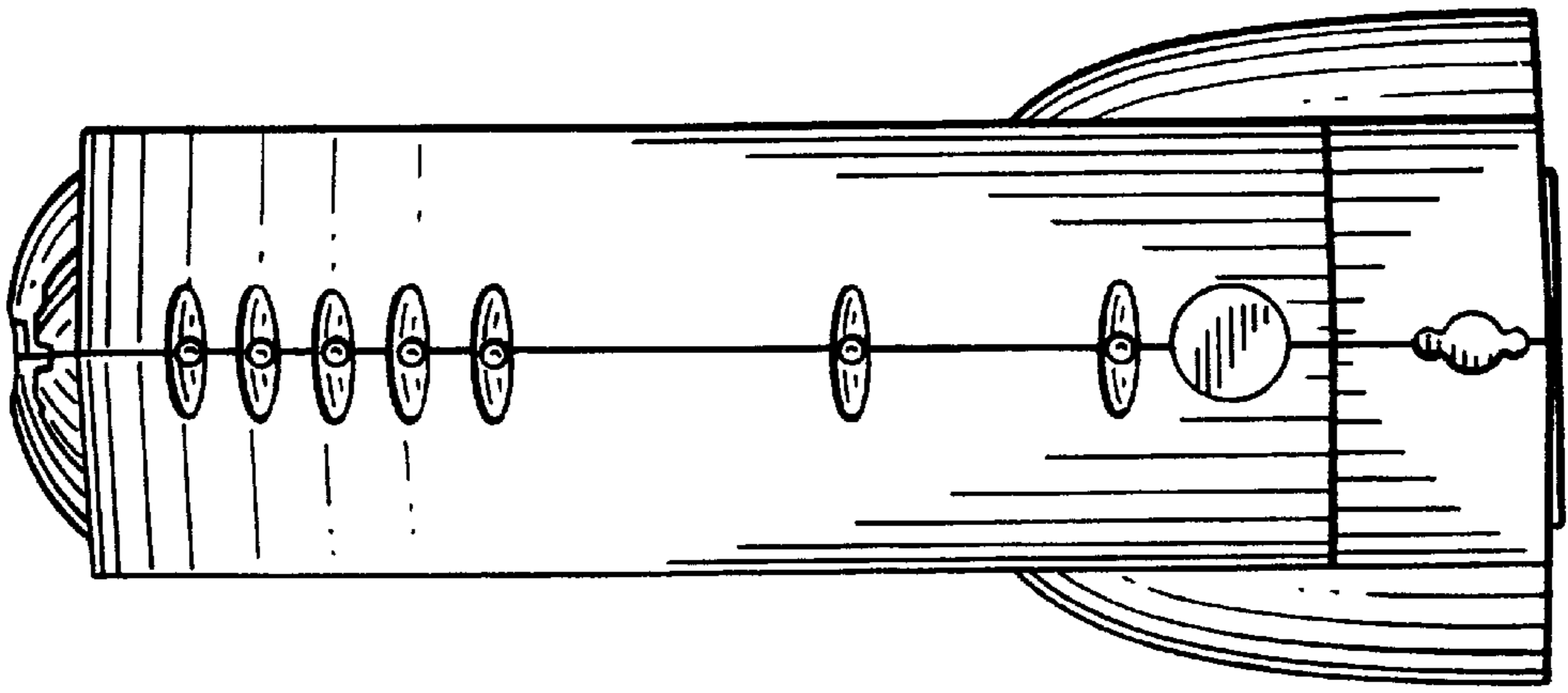


FIG. 3

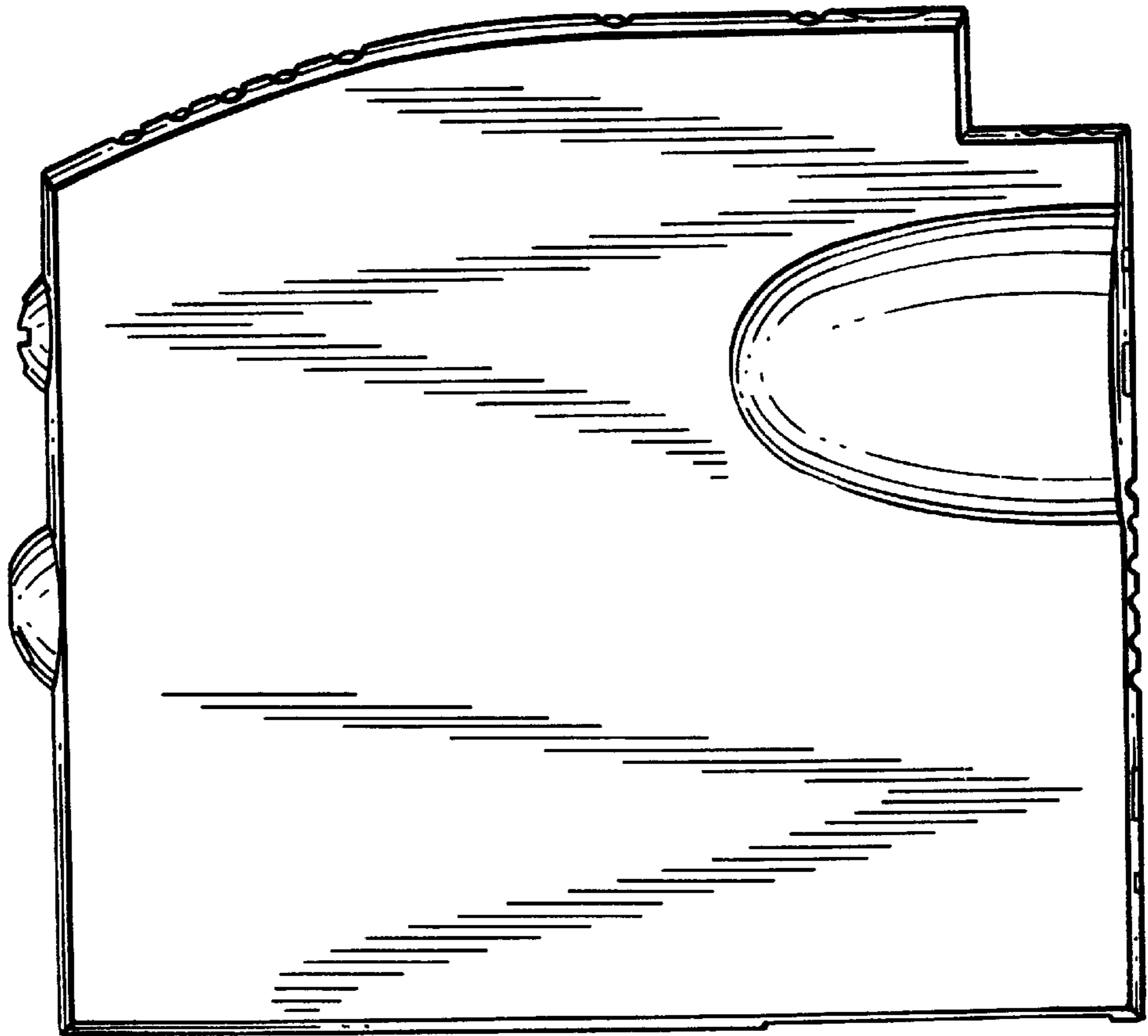


FIG. 5

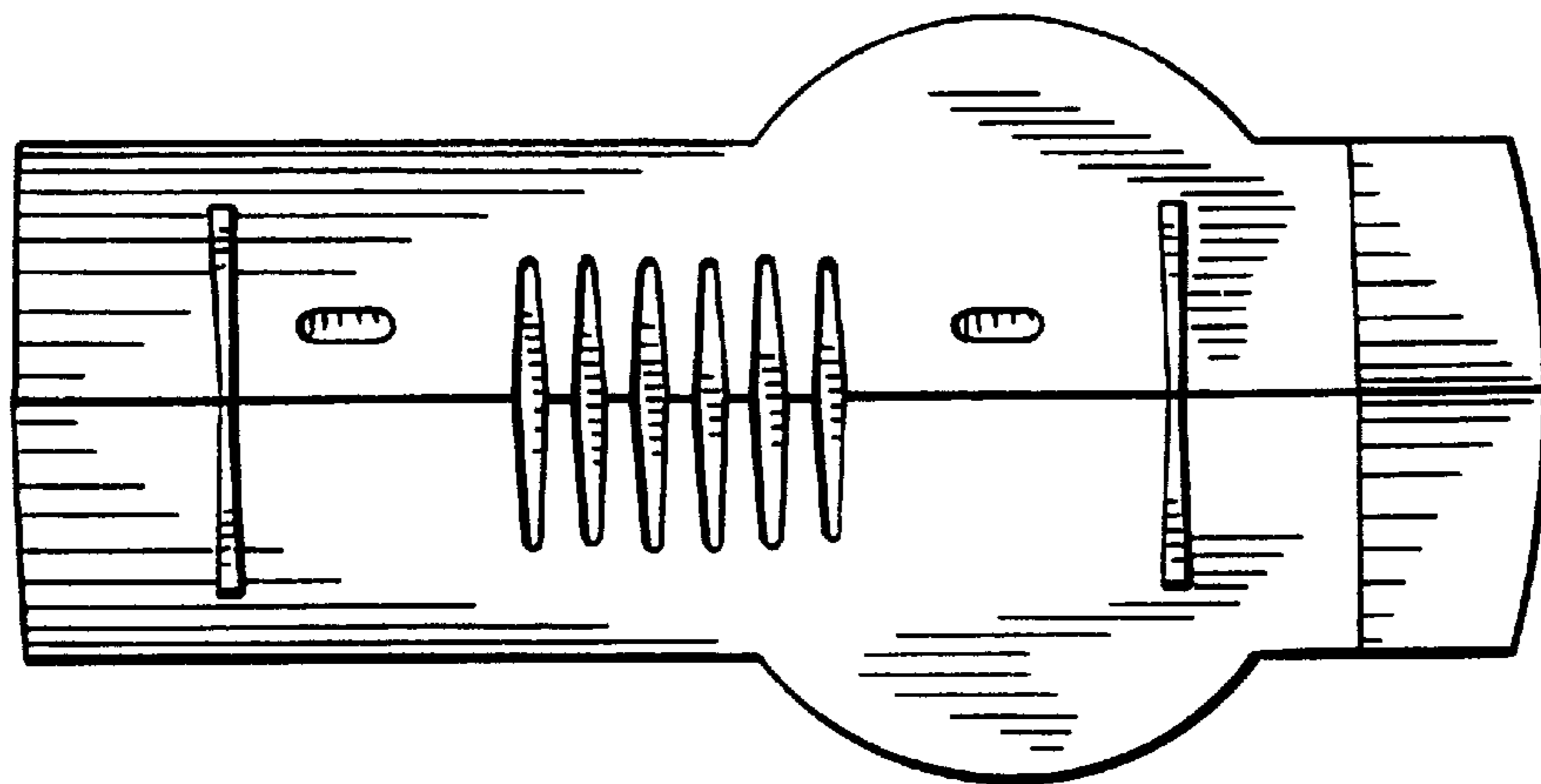
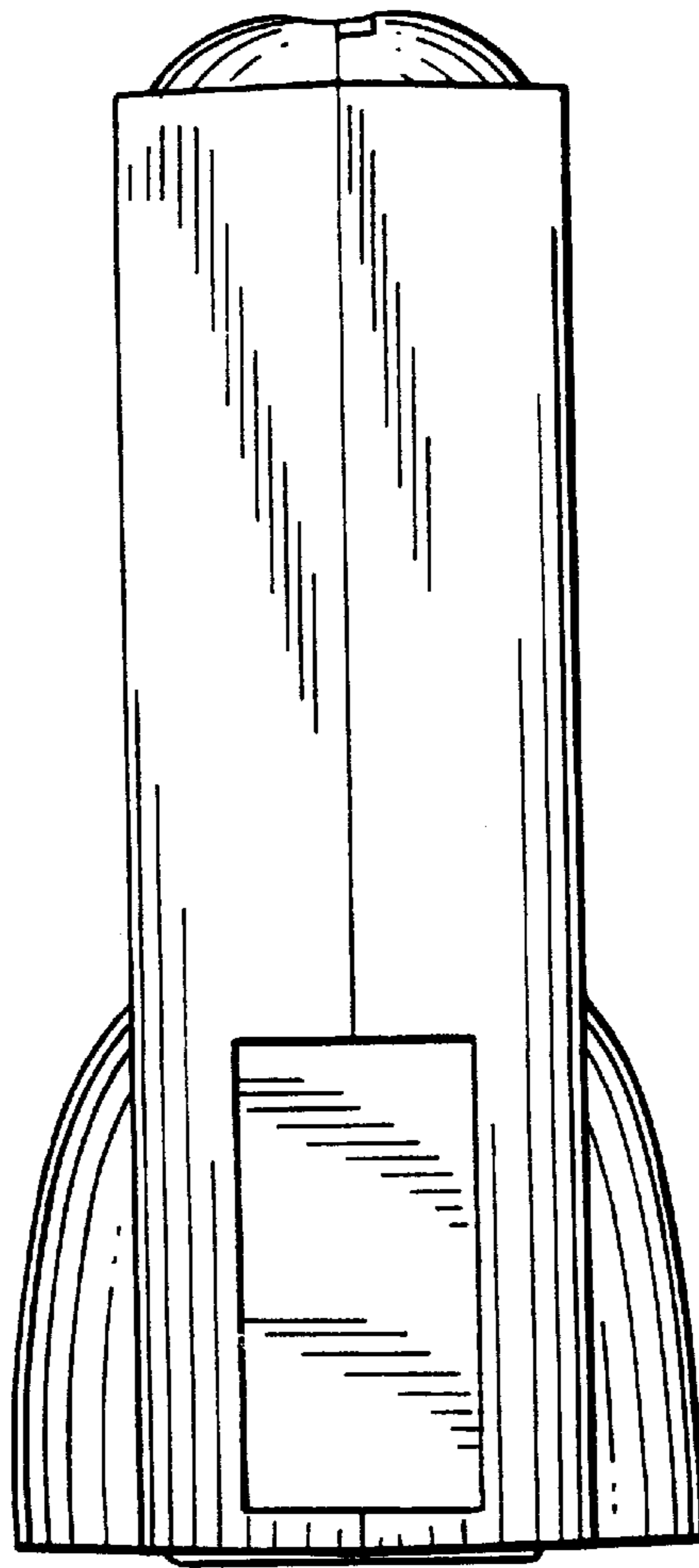


FIG. 6