



US00D423663S

United States Patent [19]

[11] **Patent Number: Des. 423,663**

Rossman et al.

[45] **Date of Patent: ** Apr. 25, 2000**

[54] **FAN HOUSING**

[75] Inventors: **Jon R. Rossman**, Chelmsford; **Bryan Hotaling**, Arlington, both of Mass.

[73] Assignee: **Holmes Products Corporation**, Milford, Mass.

[**] Term: **14 Years**

[21] Appl. No.: **29/102,827**

[22] Filed: **Apr. 1, 1999**

[51] **LOC (6) Cl.** **23-04**

[52] **U.S. Cl.** **D23/411; D23/382**

[58] **Field of Search** D23/381, 382, D23/411, 370, 332, 328, 335, 337; 416/247 R, 246, 208

[56] **References Cited**

U.S. PATENT DOCUMENTS

- D. 384,409 9/1997 Jane et al. D23/411
- D. 405,520 2/1999 Birdsell et al. D23/382

Primary Examiner—Lisa Lichtenstein
Attorney, Agent, or Firm—Hoffmann & Baron, LLP; Francis E. Marino

[57] **CLAIM**

The ornamental design for a fan housing, as shown and described.

DESCRIPTION

FIG. 1 is a front perspective view of a fan showing the new design;
 FIG. 2 is a front side elevation view thereof;
 FIG. 3 is a top side elevation view thereof;
 FIG. 4 is a left side elevation view thereof;
 FIG. 5 is a right side elevation view thereof; and,
 FIG. 6 is a rear side elevation view thereof.

The bottom view forms no part of the claimed design. The broken line showing of environmental structure in FIGS. 1–6 is for illustrative purposes only and forms no part of the claimed design.

1 Claim, 6 Drawing Sheets

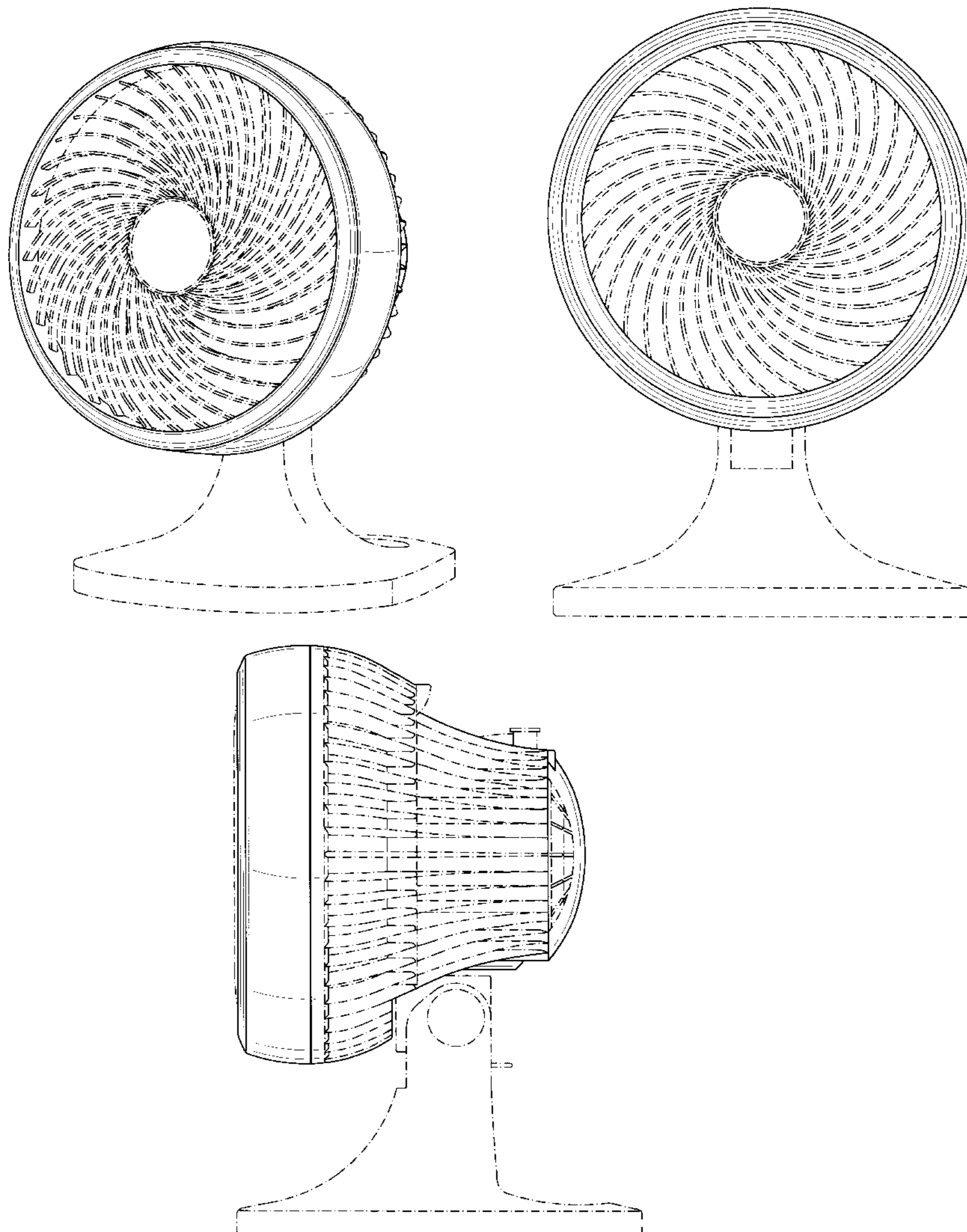


FIG-1

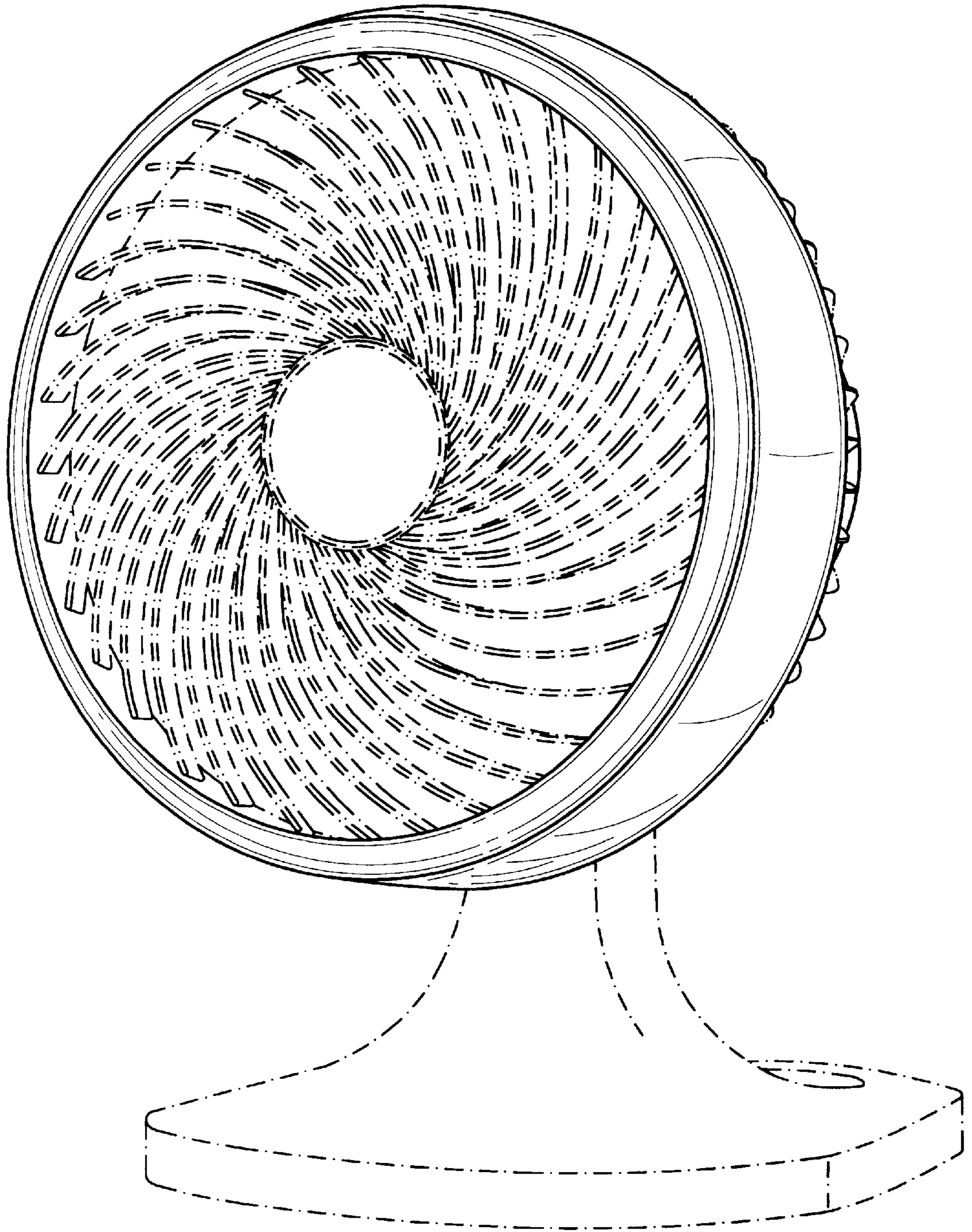


FIG-2

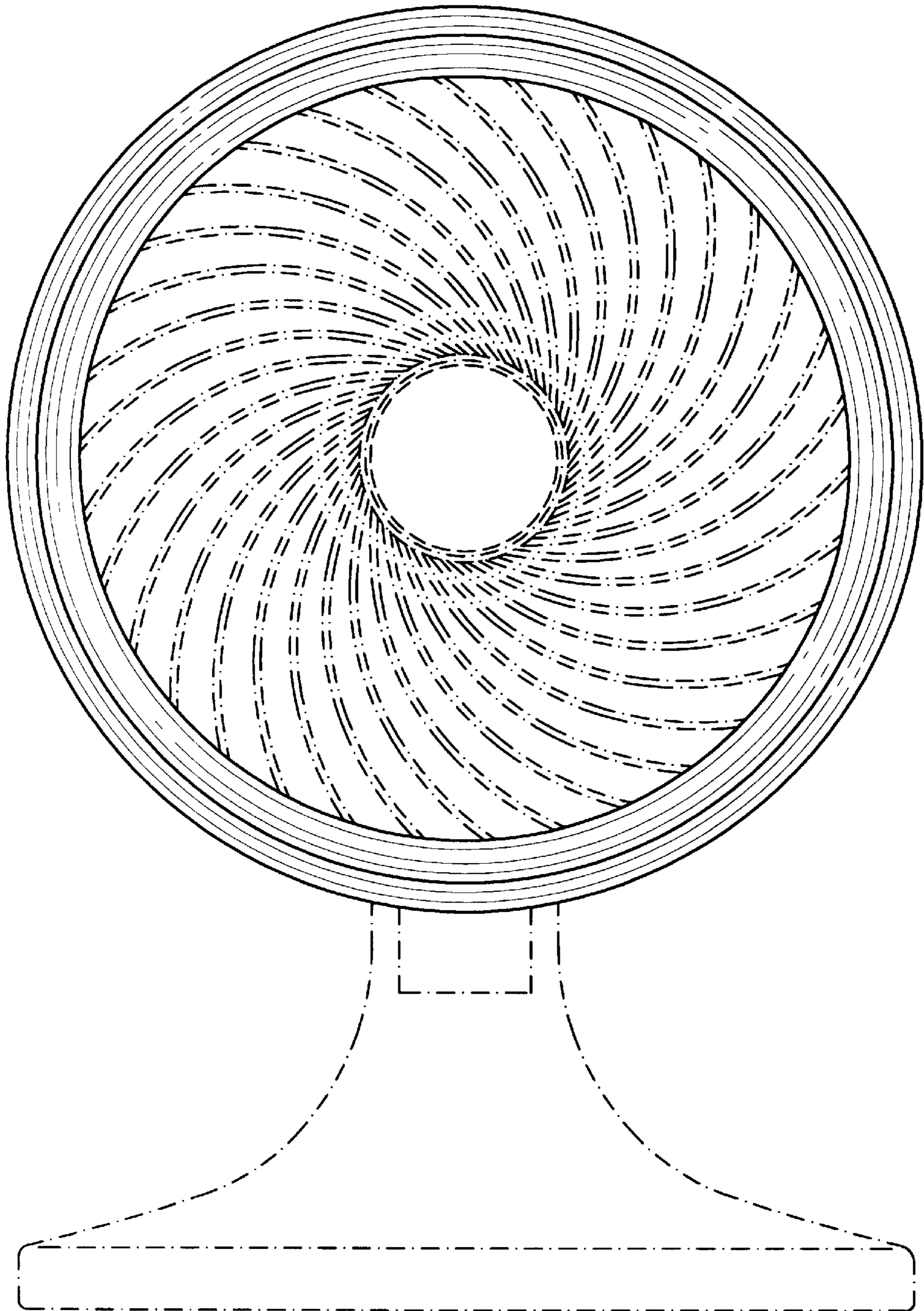


FIG-3

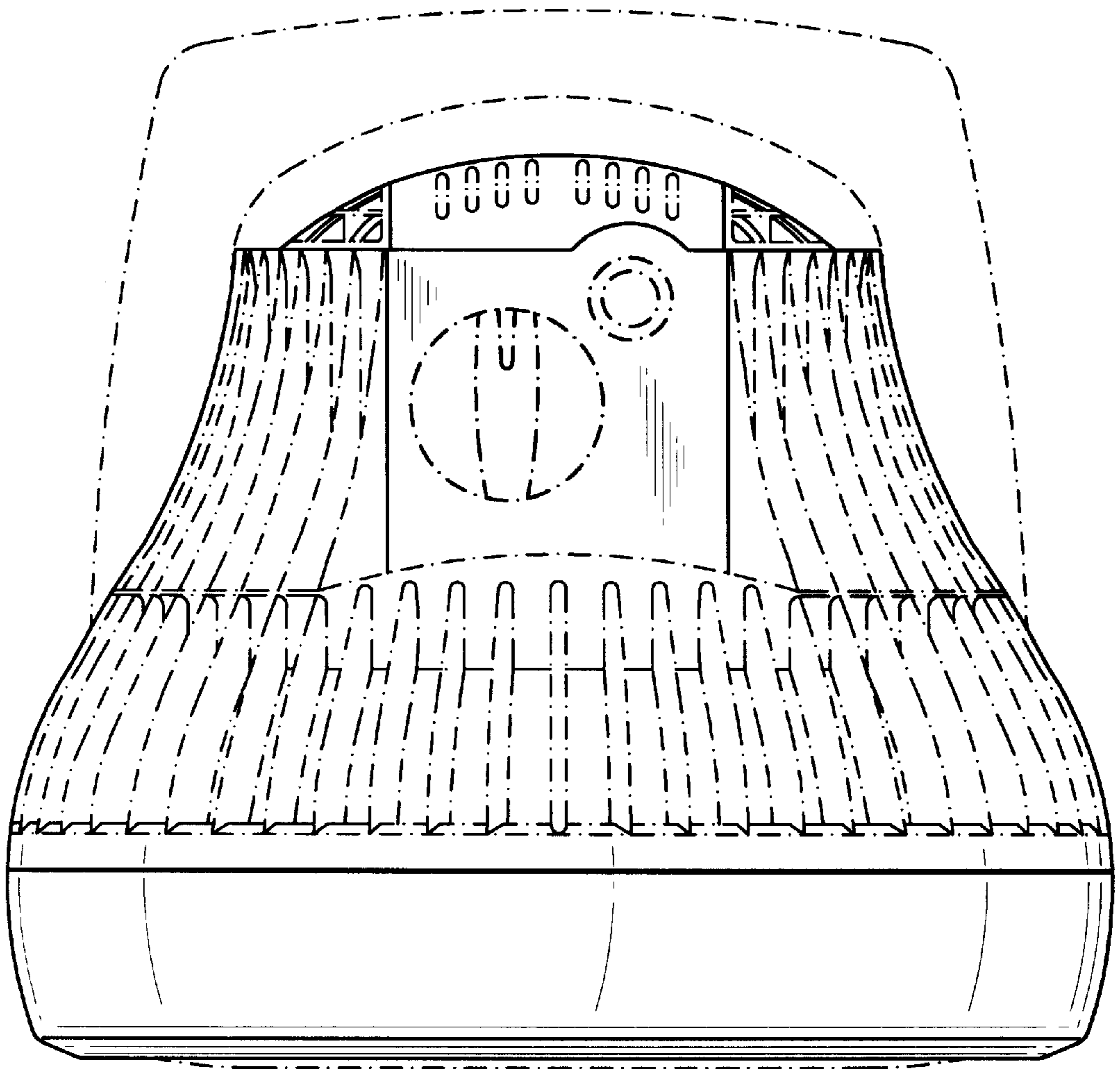


FIG-4

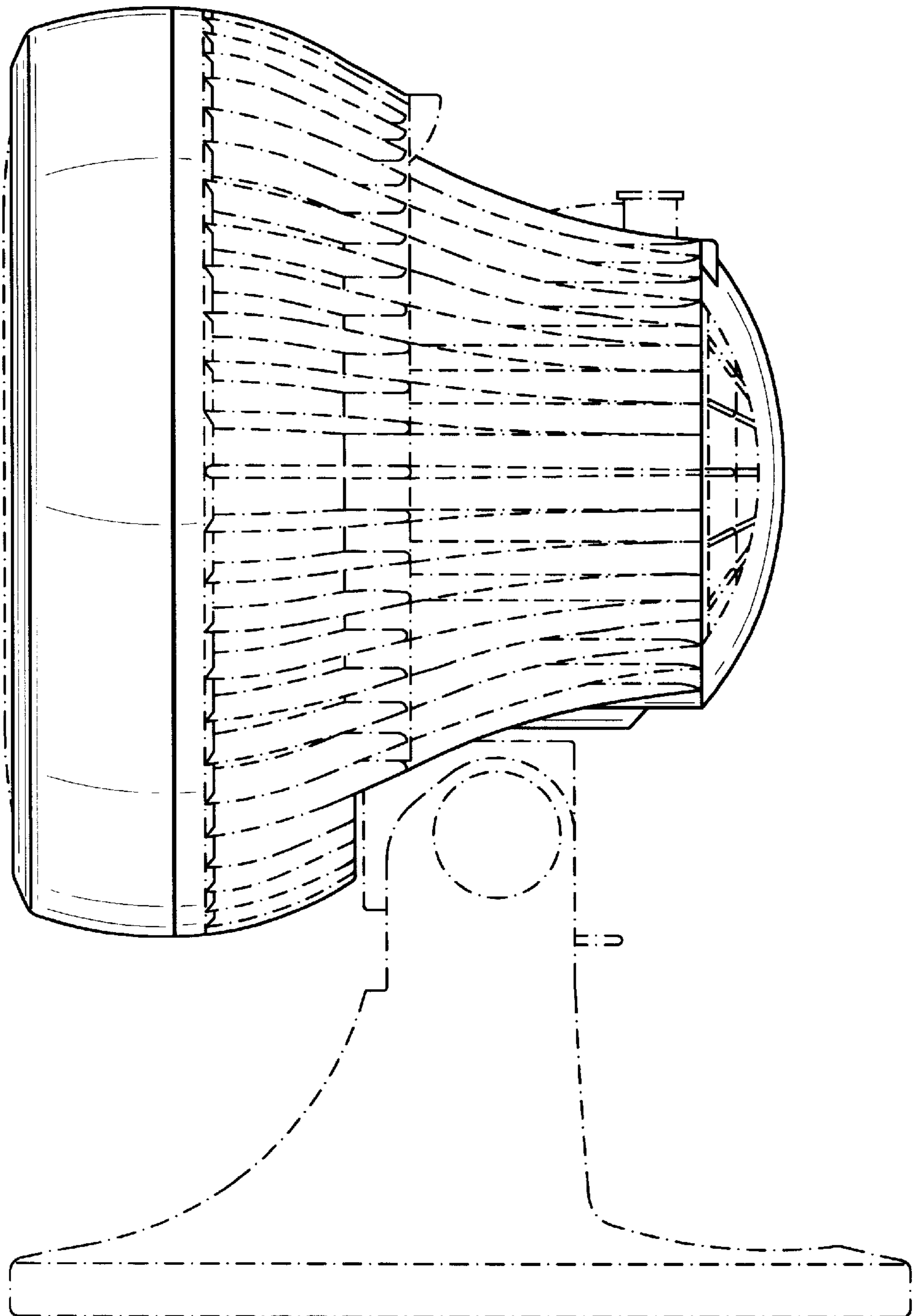


FIG-5

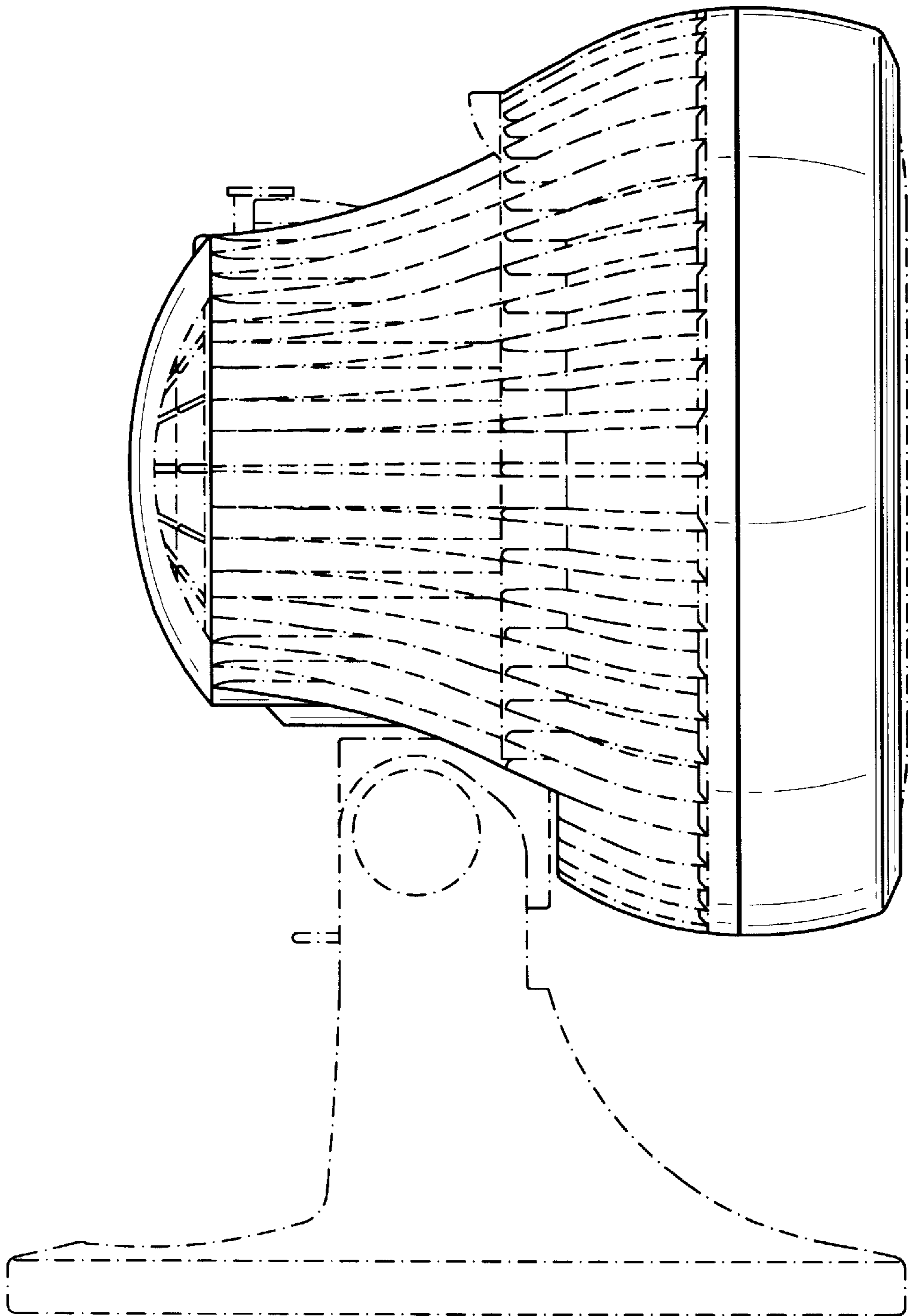


FIG-6

