



US00D423660S

United States Patent [19] Inda

[11] Patent Number: **Des. 423,660**

[45] Date of Patent: **** Apr. 25, 2000**

[54] **AIR DUCT BOOT**

[76] Inventor: **John P. Inda**, 100 E. Federal, Shawnee, Okla. 74801

[**] Term: **14 Years**

[21] Appl. No.: **29/102,230**

[22] Filed: **Mar. 22, 1999**

[51] **LOC (6) Cl.** **23-99**

[52] **U.S. Cl.** **D23/393**

[58] **Field of Search** D23/393, 394;
D32/25; 34/235, 82, 86, 90, 233; 454/367,
359; 285/56, 105, 424

[56] **References Cited**

U.S. PATENT DOCUMENTS

24,660	7/1859	Potts .	
D. 314,820	2/1991	Sullivan	D23/393
D. 341,655	11/1993	Inda et al.	D23/393
D. 411,901	7/1999	Gomulinski	D32/25
567,231	9/1896	Glauber .	
925,762	6/1909	Eager .	
2,086,007	7/1937	Tompkins	285/105
2,215,318	9/1940	Bristol	138/75
2,297,179	9/1942	Walker	72/16
2,335,906	12/1943	Blinn	72/16
2,348,148	5/1944	Rankin	454/271
3,220,079	11/1965	Aggson	454/271 X
3,677,517	7/1972	Root et al.	285/424 X
4,261,598	4/1981	Cornwall	285/56
4,499,332	2/1985	Shea et al.	174/48
4,619,471	10/1986	Harbeke	285/158
4,623,170	11/1986	Cornwall	285/4

4,773,197	9/1988	Sullivan	52/221
4,781,401	11/1988	Sharp	285/424 X
5,240,288	8/1993	Inda et al.	285/3
5,542,223	8/1996	Inda et al.	52/302.1
5,675,908	10/1997	Barnes	34/235

FOREIGN PATENT DOCUMENTS

315943	5/1989	European Pat. Off.	454/289
1330148	5/1963	France	454/271

OTHER PUBLICATIONS

Exhibit A—Photograph of prior air duct riser.
Exhibit B—Photograph of prior art duct riser.
Sales information from Northern Pipe Products and GPK Products, Inc. (Undated but believed to be prior art to the present application).

Primary Examiner—Mitchell Siegel
Attorney, Agent, or Firm—McAfee & Taft

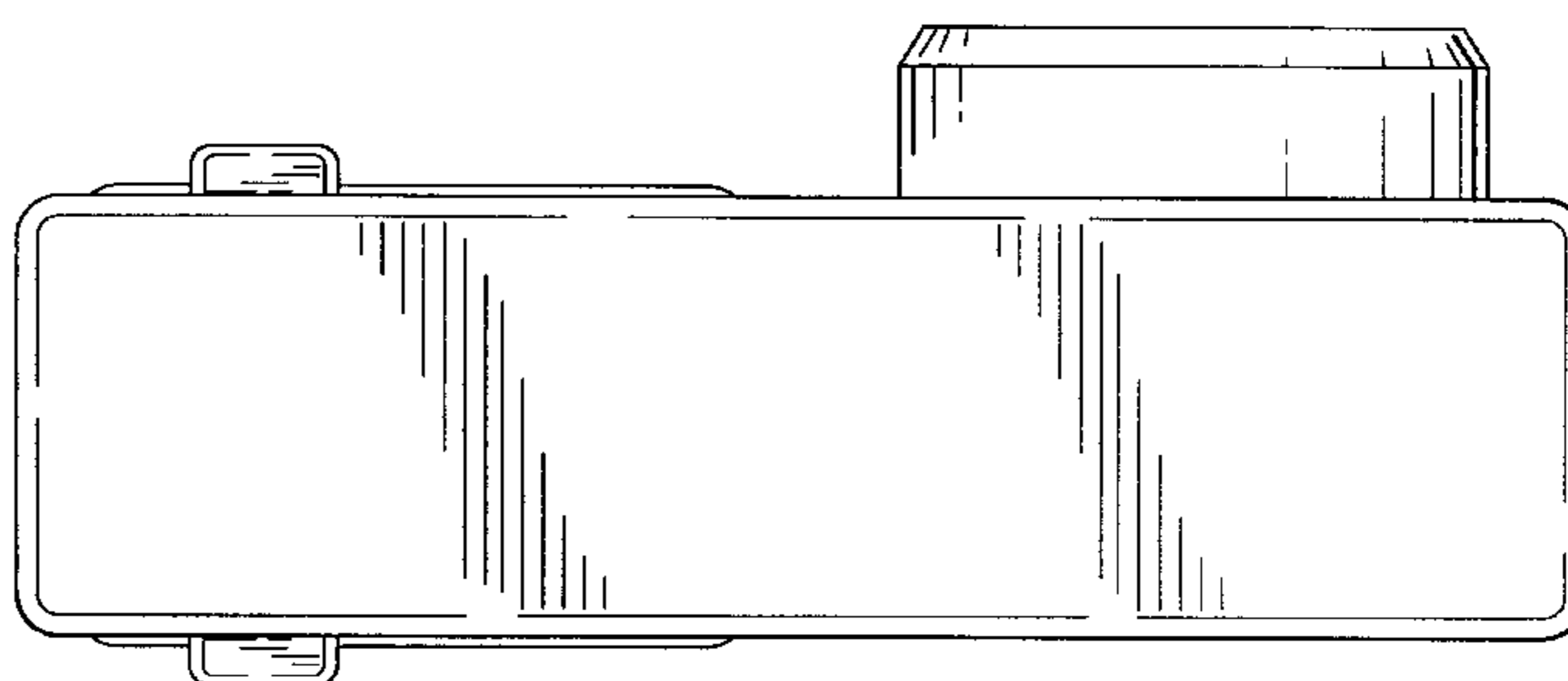
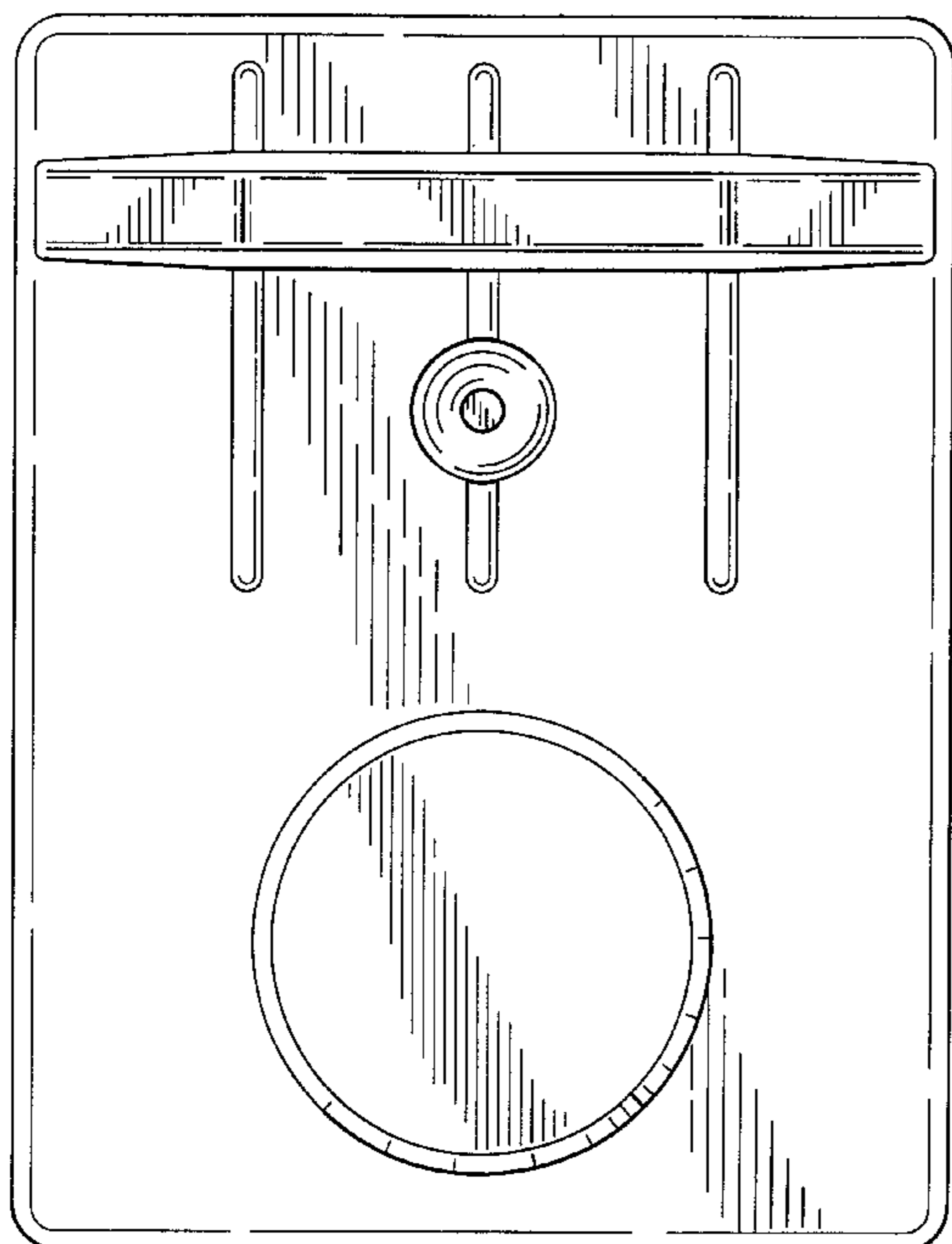
[57] **CLAIM**

The ornamental design for an air duct boot, as shown and described.

DESCRIPTION

FIG. 1 is a front elevational view of an air duct boot showing my new design.
FIG. 2 is a rear elevational view thereof.
FIG. 3 is a left side elevational view thereof.
FIG. 4 is a right side elevational view thereof.
FIG. 5 is a top plan view thereof; and,
FIG. 6 is a bottom plan view thereof.

1 Claim, 3 Drawing Sheets



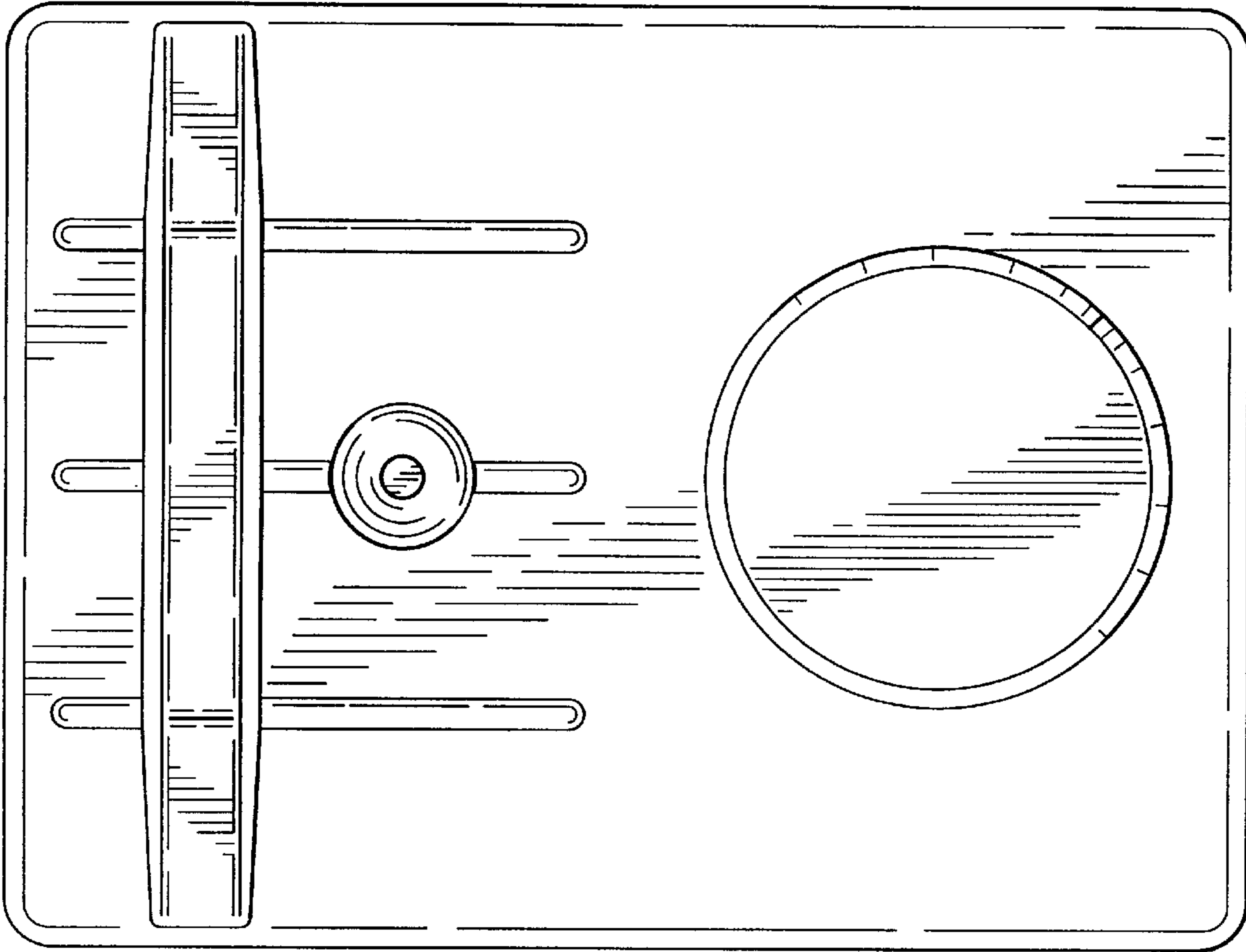


FIG. 1

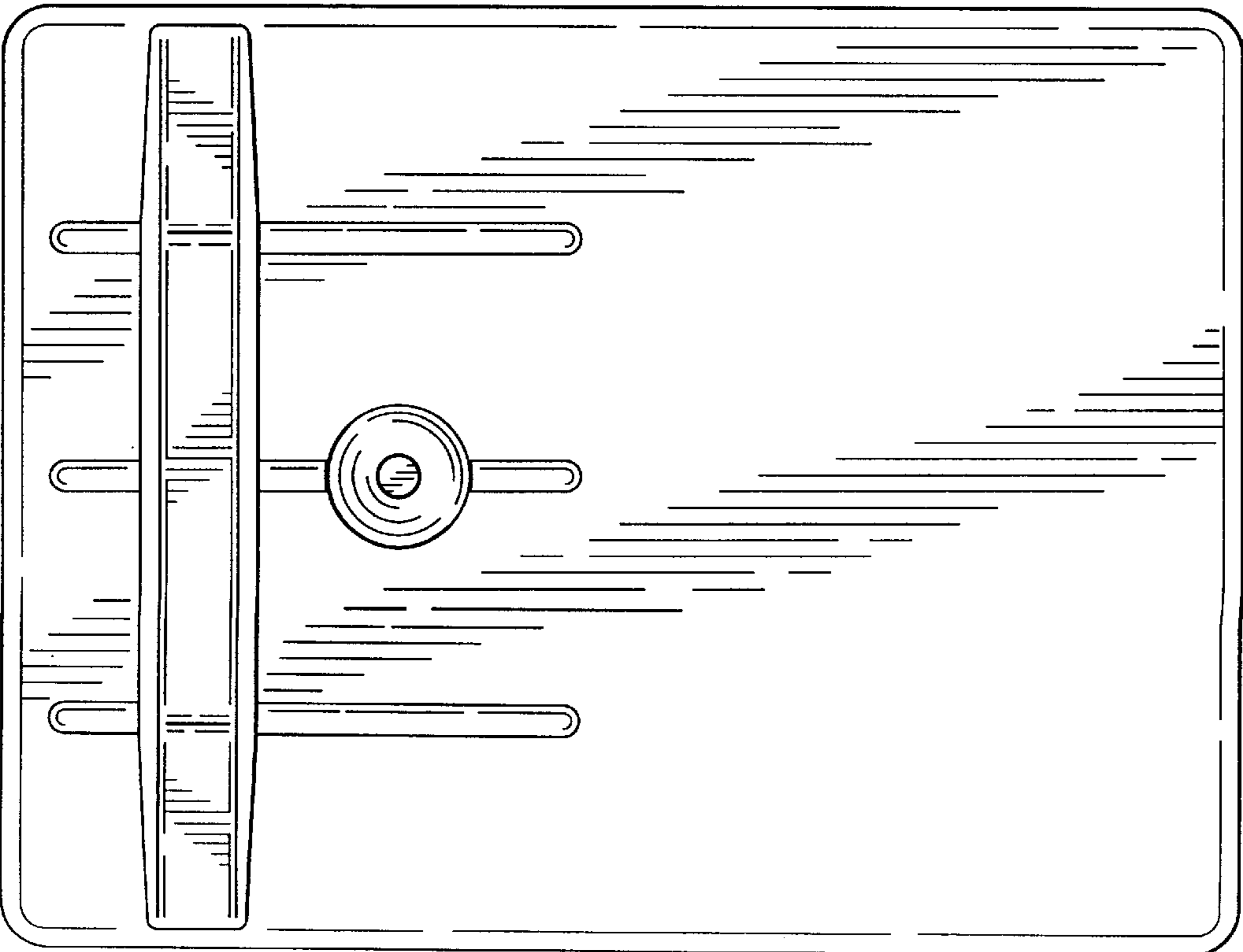


FIG. 2

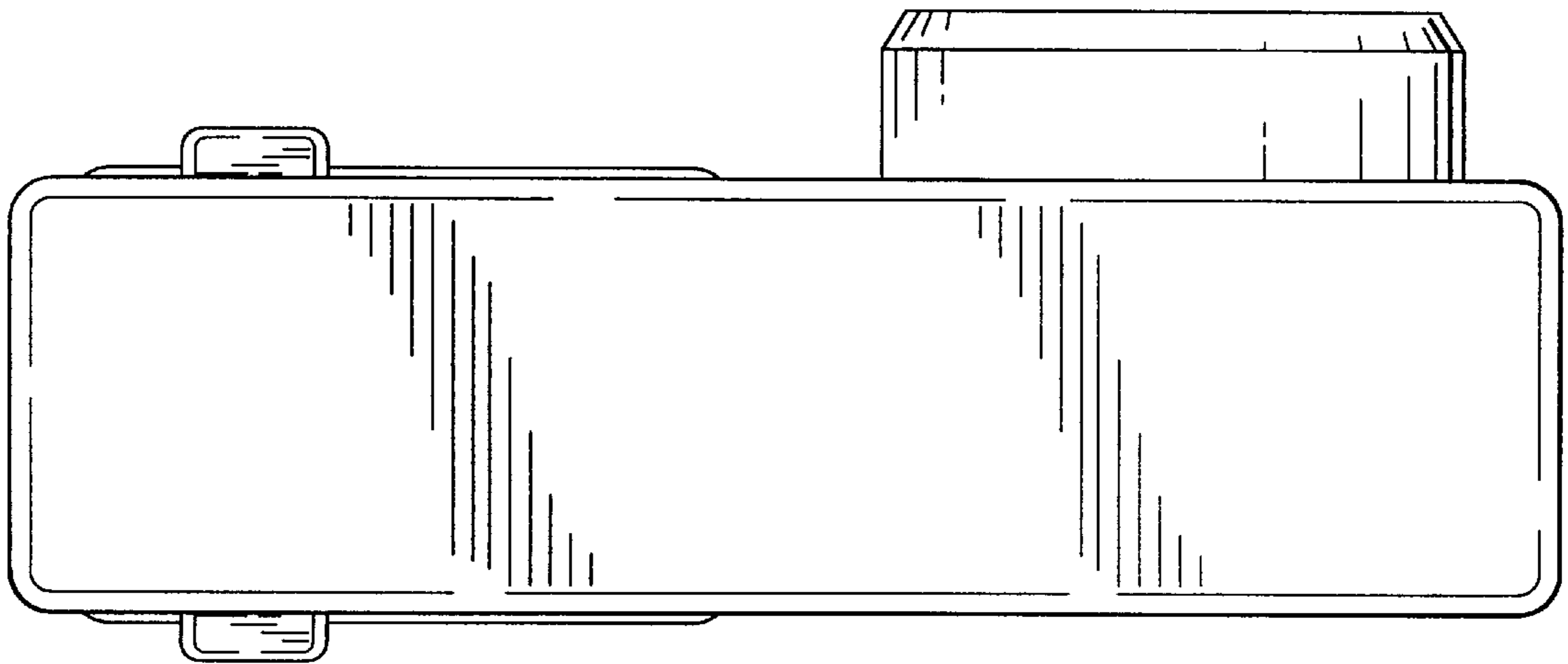


FIG. 3

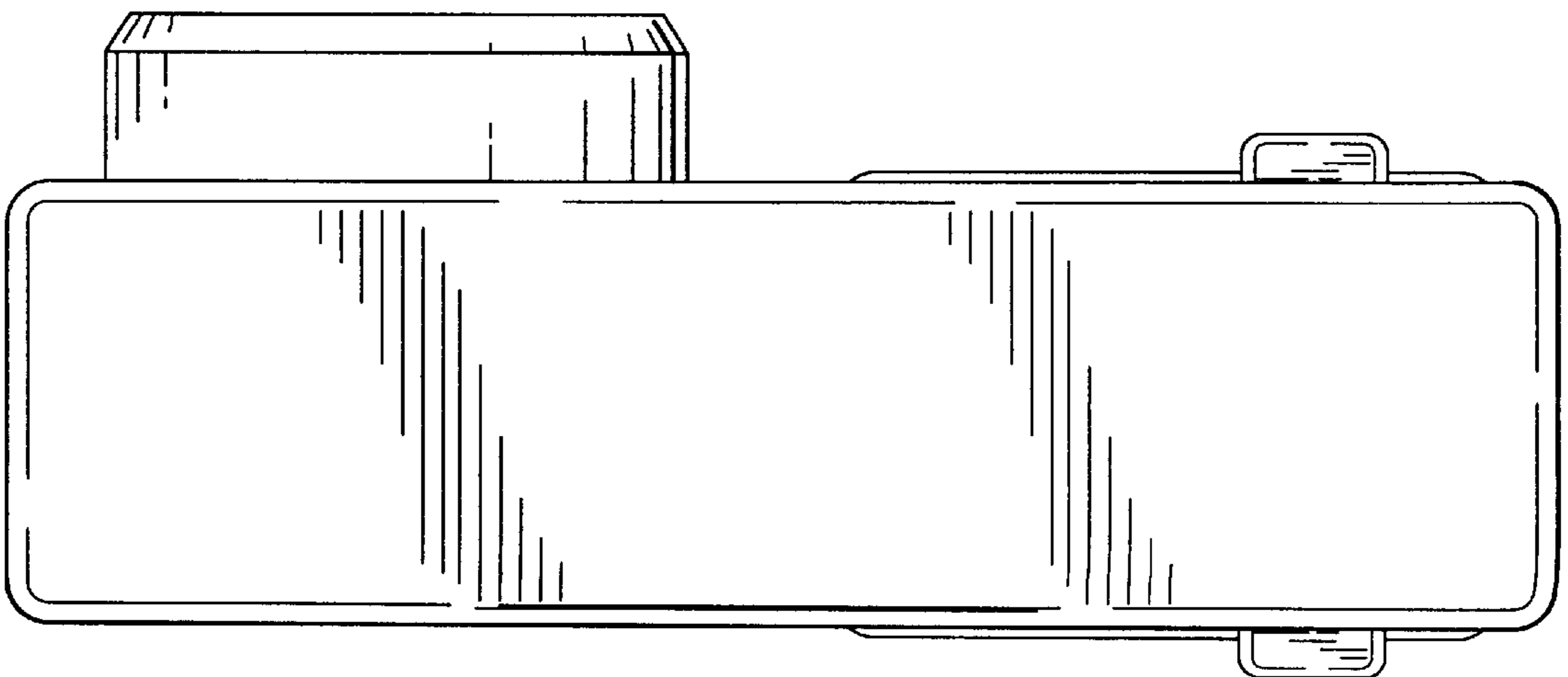


FIG. 4

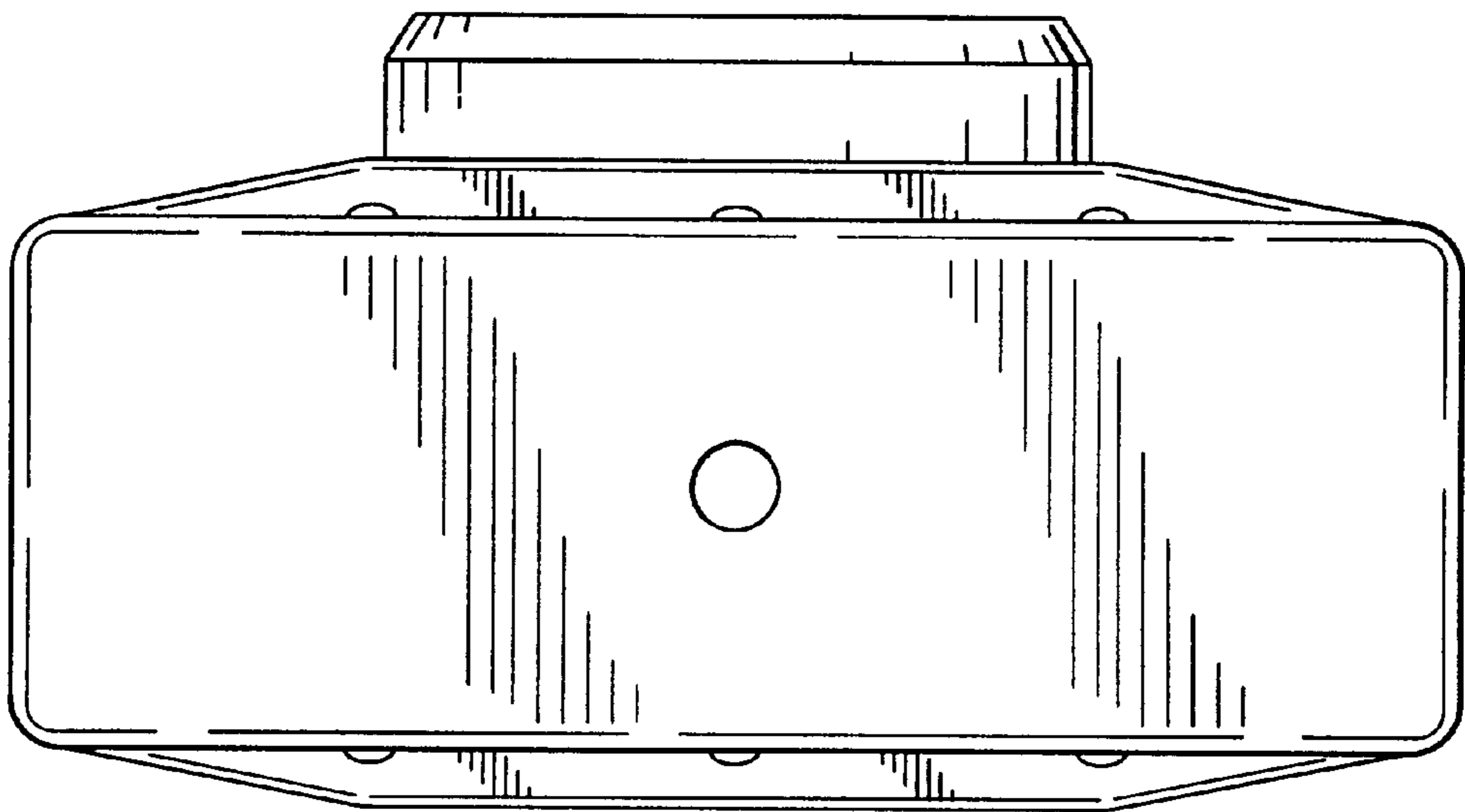


FIG. 5

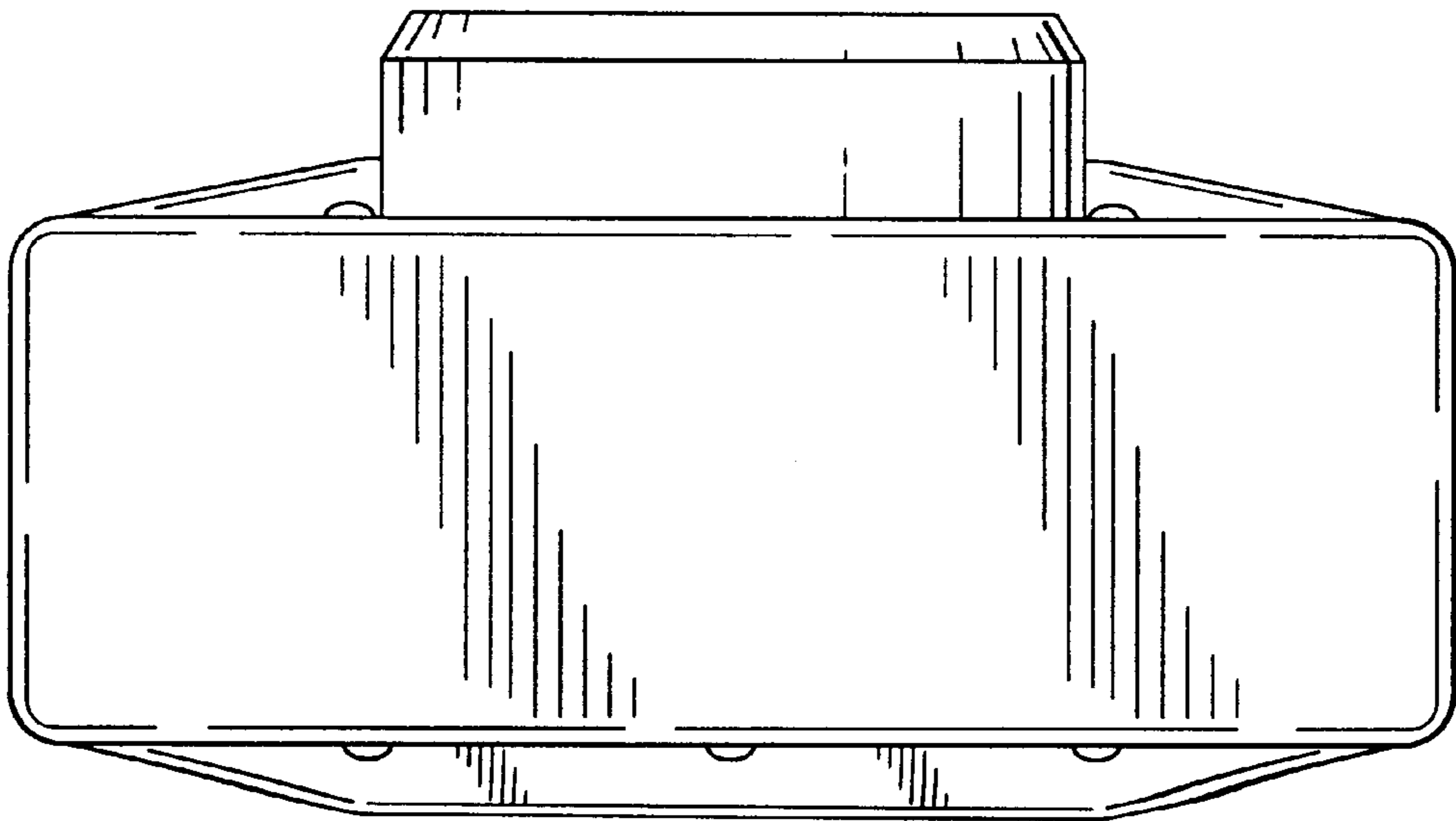


FIG. 6