



US00D423659S

United States Patent [19] Schippanoski

[11] Patent Number: **Des. 423,659**

[45] Date of Patent: **** Apr. 25, 2000**

[54] AIR CLEANER

[75] Inventor: **Robert Schippanoski**, Shrewsbury, Mass.

[73] Assignee: **Honeywell Inc.**, Minneapolis, Minn.

[**] Term: **14 Years**

[21] Appl. No.: **29/103,299**

[22] Filed: **Apr. 13, 1999**

[51] LOC (6) Cl. **23-04**

[52] U.S. Cl. **D23/364; D23/355; D23/382**

[58] Field of Search D23/364, 355, D23/365, 370, 381, 382, 335, 336; 422/122; 96/97, 96, 224, 16

[56] **References Cited**

U.S. PATENT DOCUMENTS

D. 355,962	2/1995	Chiu et al.	D23/364
D. 365,388	12/1995	Williams	D23/364
D. 365,389	12/1995	Williams	D23/364
D. 377,523	1/1997	Marvin et al.	D23/364
D. 383,202	9/1997	Meister et al.	D23/364
D. 398,045	9/1998	Jane' et al.	D23/364
3,597,902	8/1971	Williams	55/337
4,629,482	12/1986	Davis	55/385 A

OTHER PUBLICATIONS

Advertisement for Pollenex Pedia-Aire air cleaner (Model MPD894), Spring 1995 issue of *Lifestyle Fascination* (p. 20).

1993 Instructions and Warranty Guide for Pollenex Refresh-Aire Cleaner/Ionizer; Model PA300.

1992 Instructions and Warranty Guide for Pollenex Health Aire/Family Hepa air cleaner; Model PA500.

Primary Examiner—Lisa Lichtenstein
Attorney, Agent, or Firm—Robert B. Leonard

[57] **CLAIM**

The ornamental design for an air cleaner, as shown and described.

DESCRIPTION

FIG. 1 is a front perspective view of an air cleaner showing my new design.

FIG. 2 is a front elevational view of the air cleaner shown in FIG. 1.

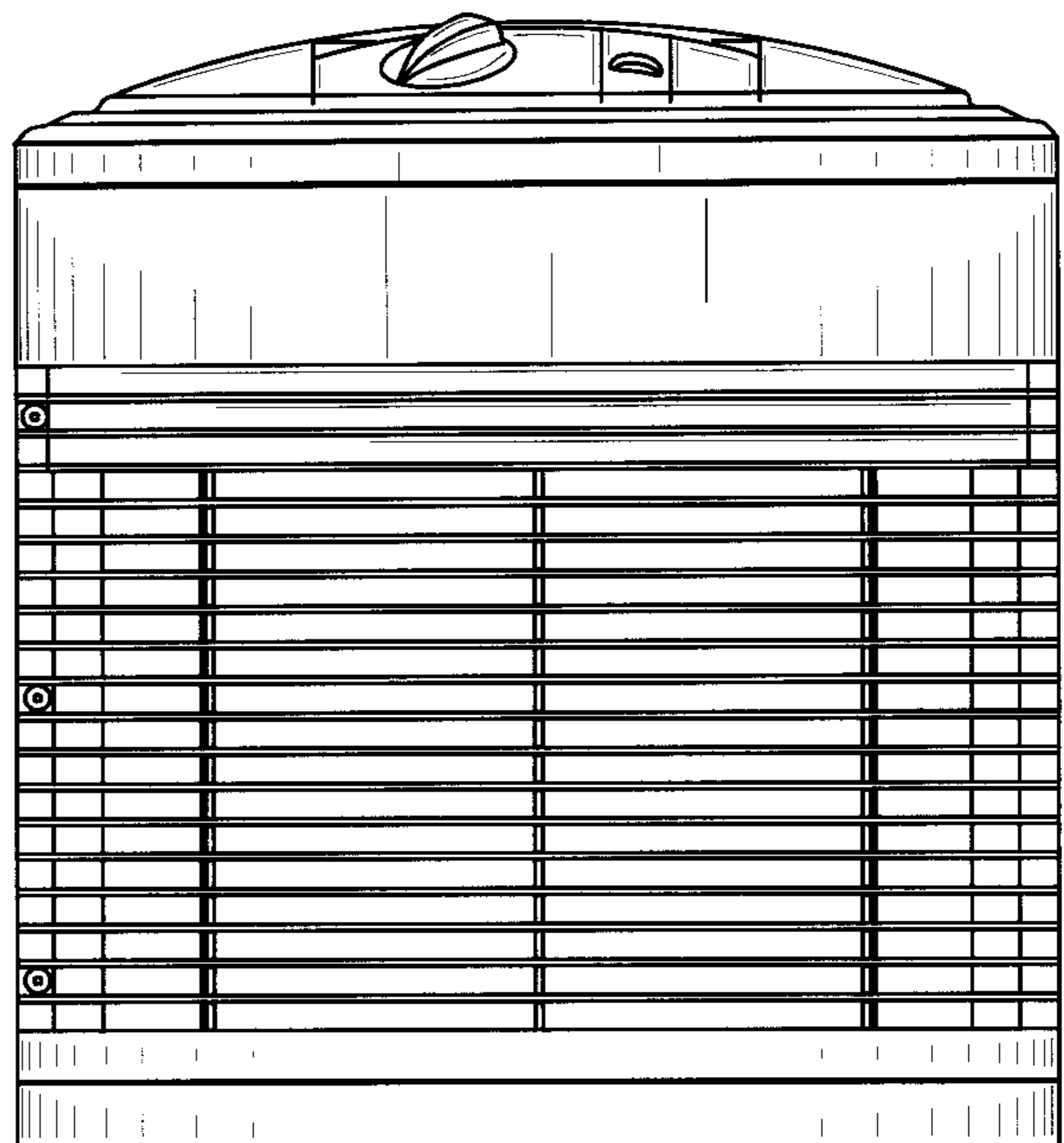
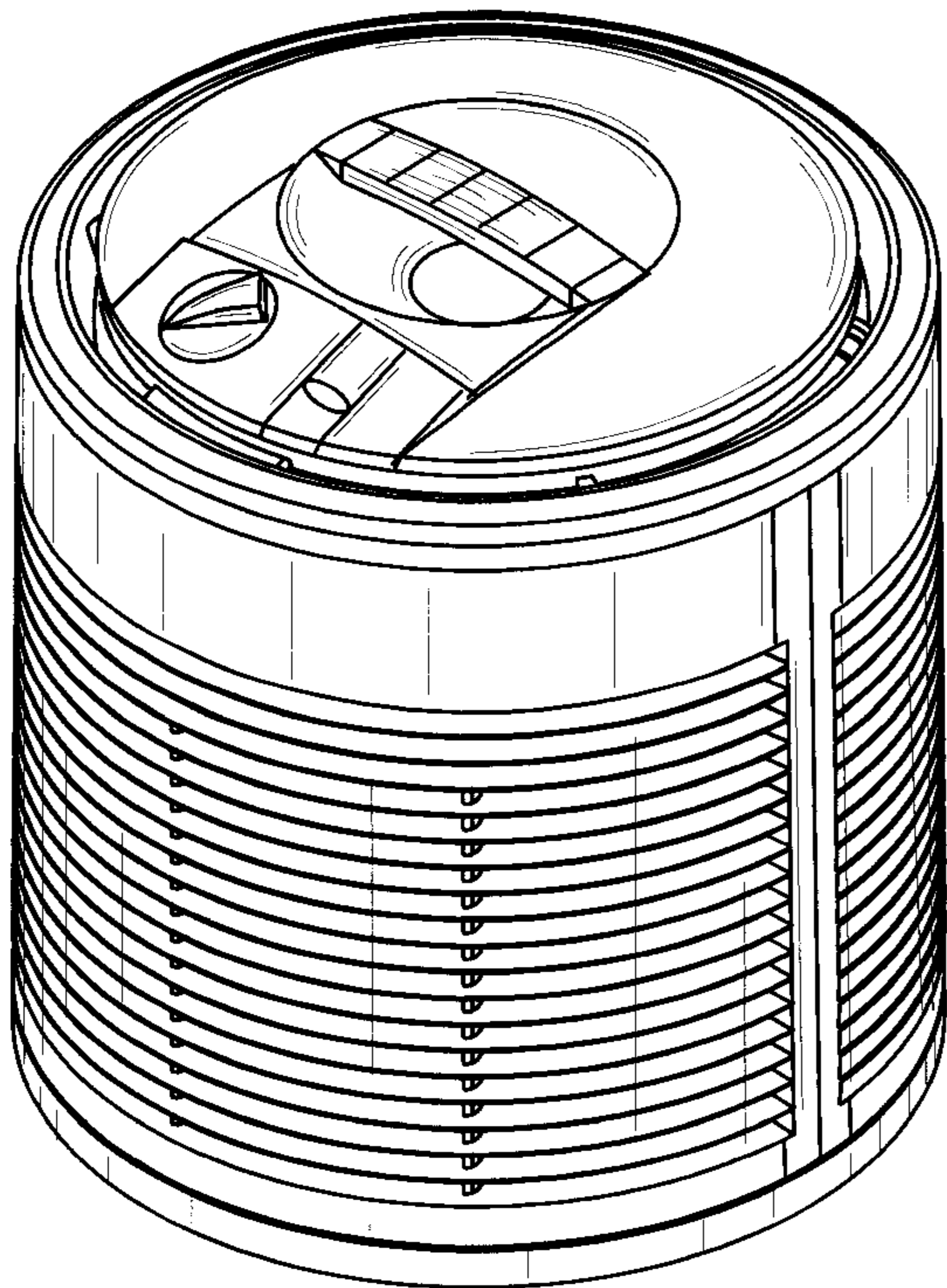
FIG. 3 is a rear elevational view of the air cleaner shown in FIG. 1.

FIG. 4 is a left side elevational view of the air cleaner shown in FIG. 1, the right side being a mirror image of the left side.

FIG. 5 is a top plan view of the air cleaner shown in FIG. 1; and,

FIG. 6 is a bottom plan view of the air cleaner shown in FIG. 1.

1 Claim, 6 Drawing Sheets



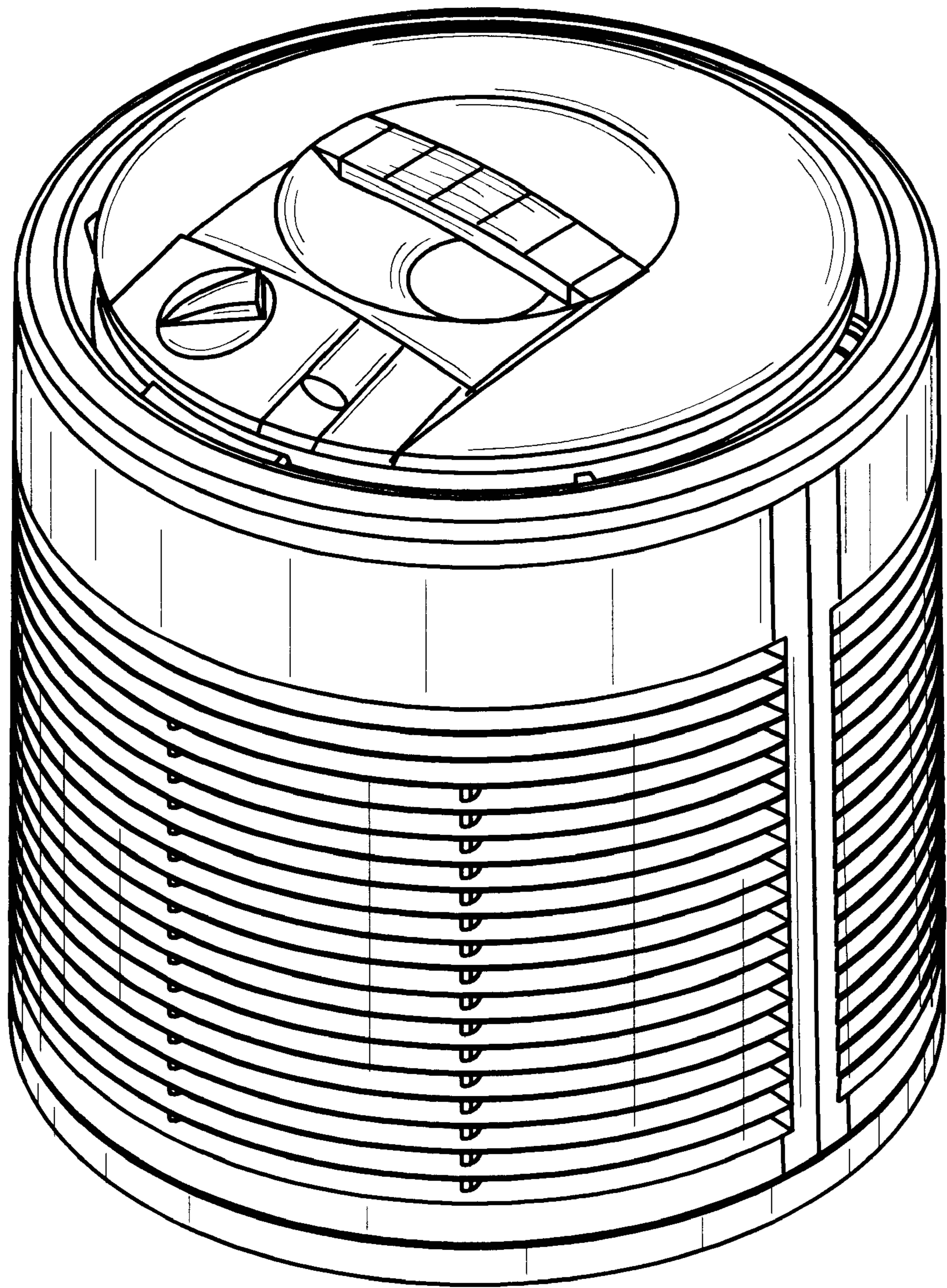


FIG. 1

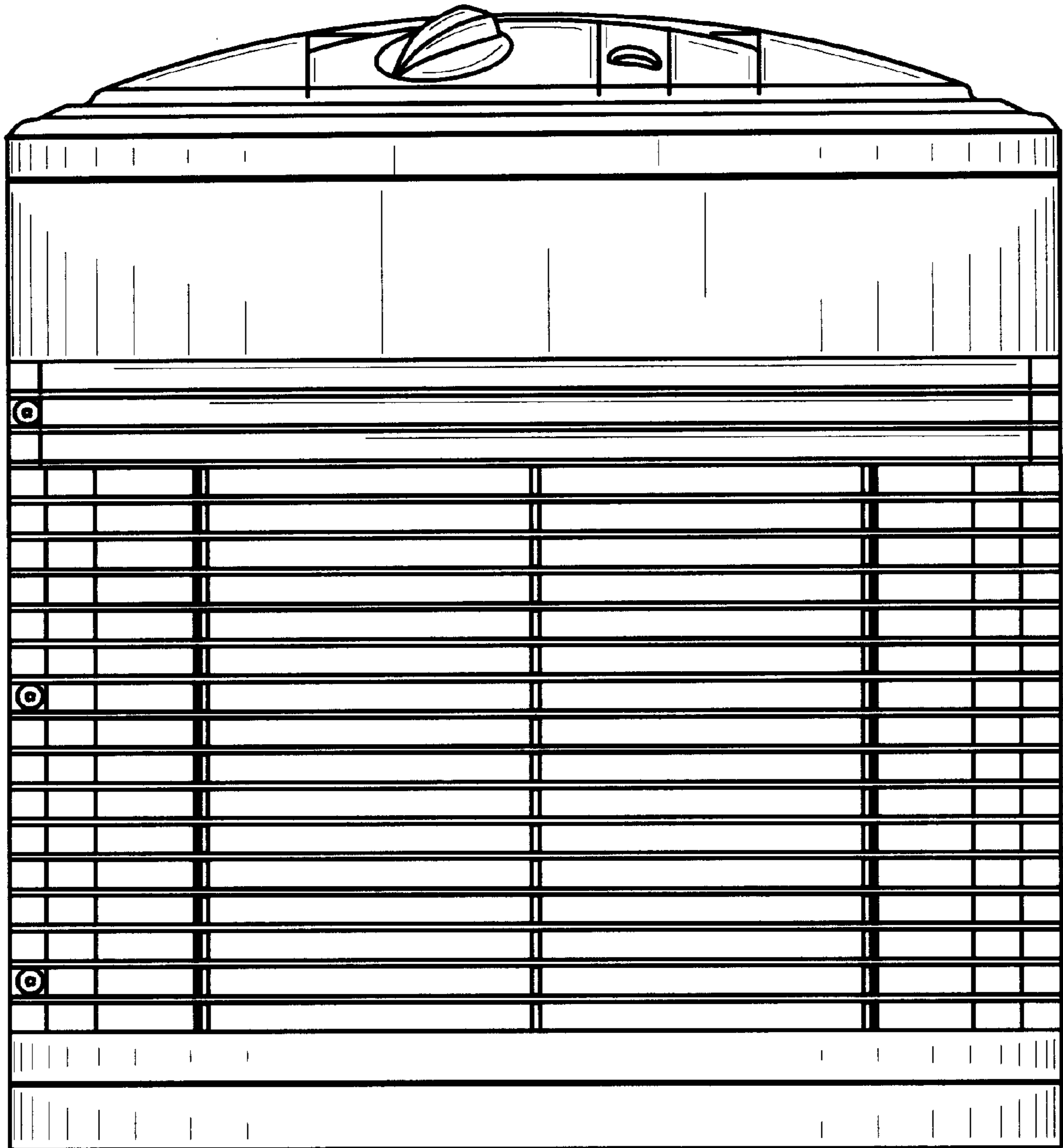


FIG. 2

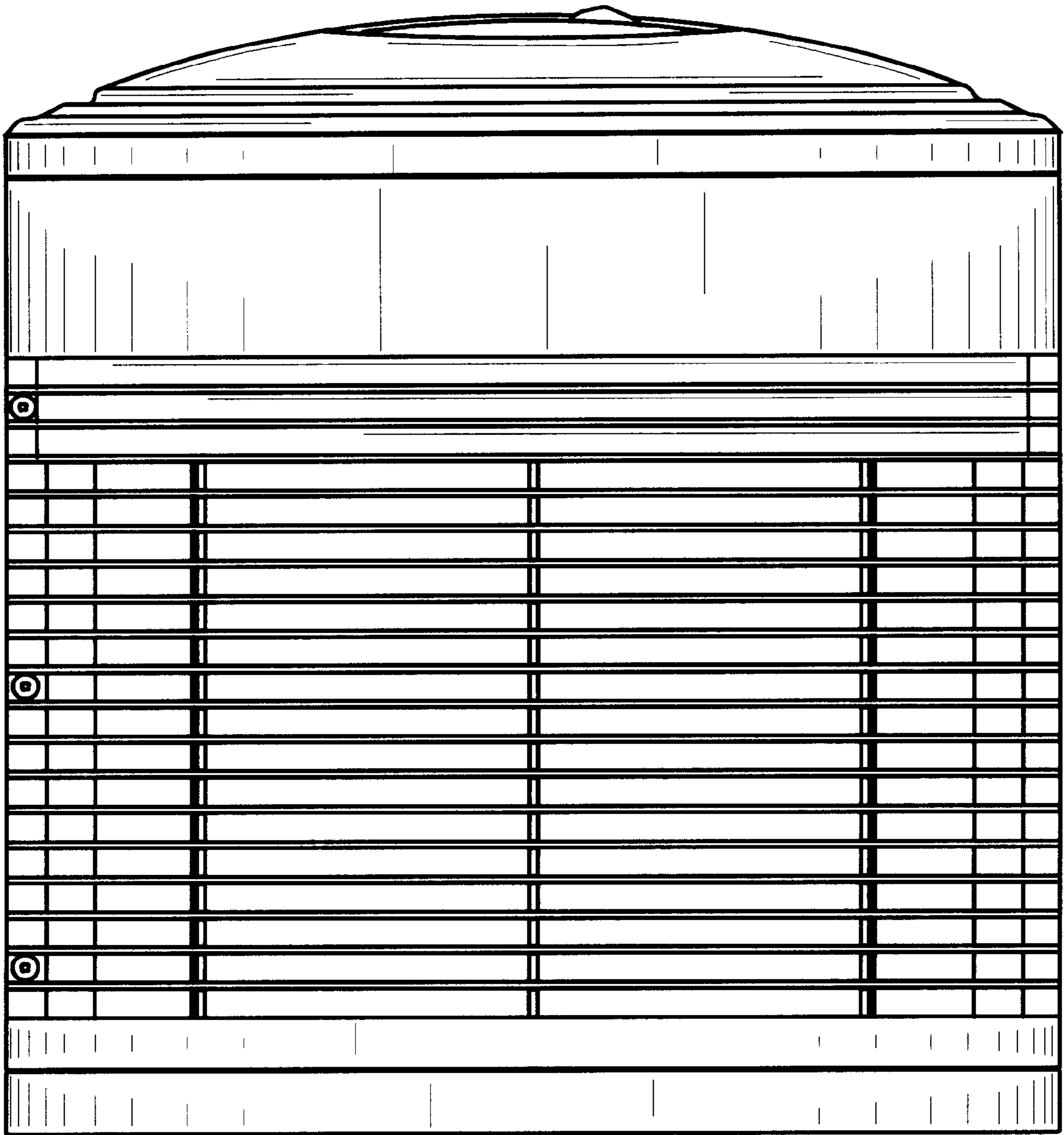


FIG. 3

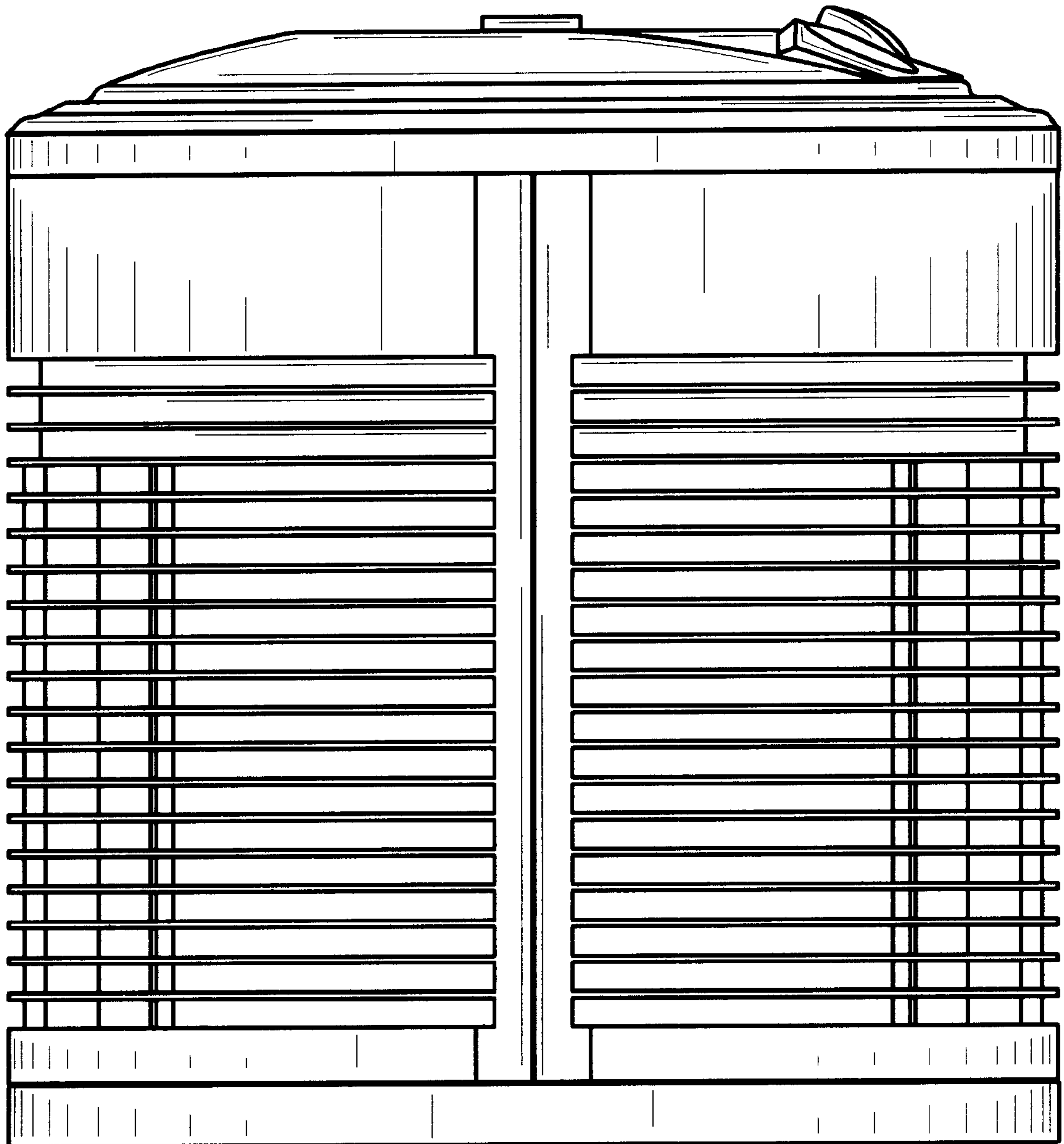


FIG. 4

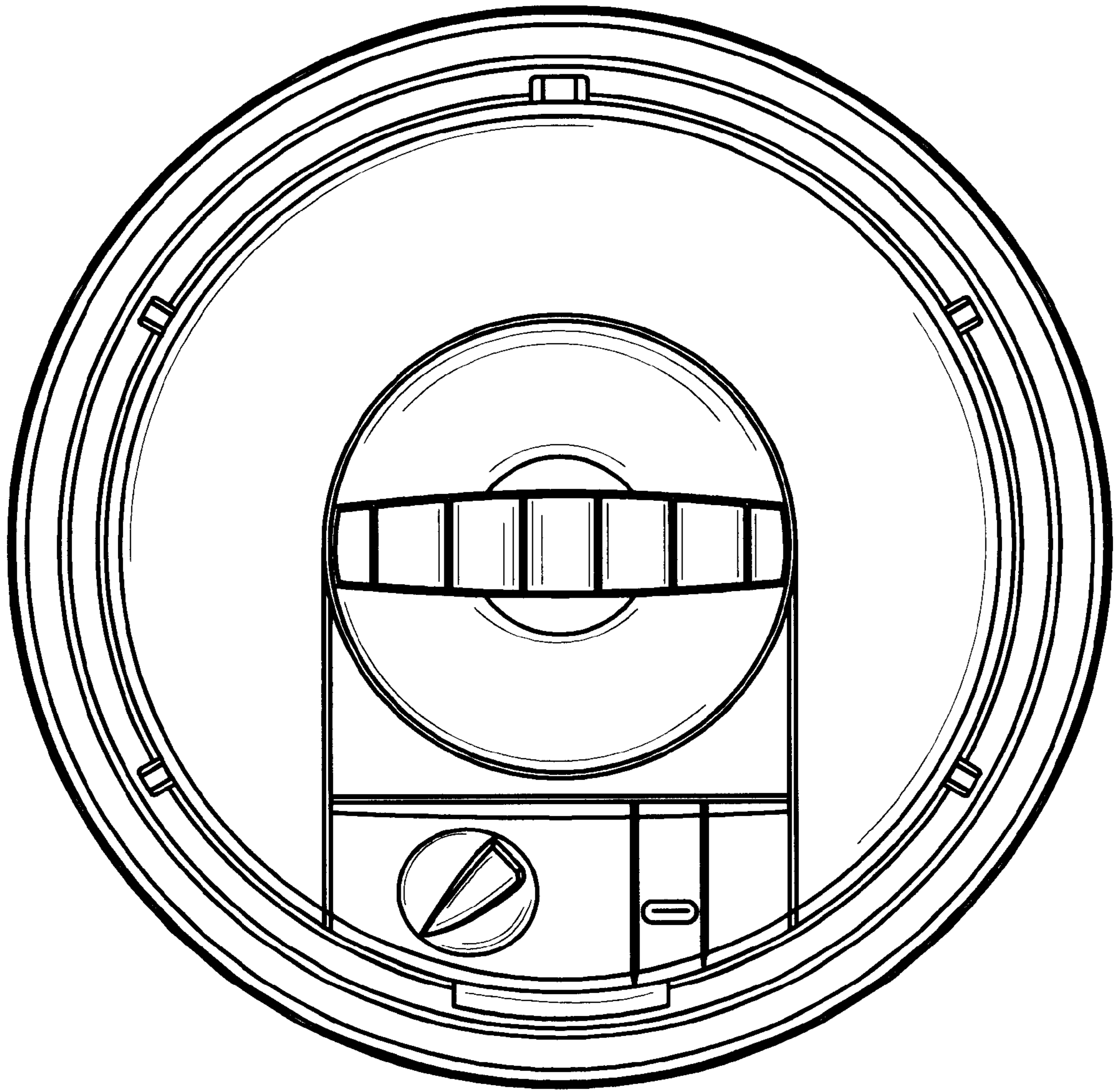


FIG. 5

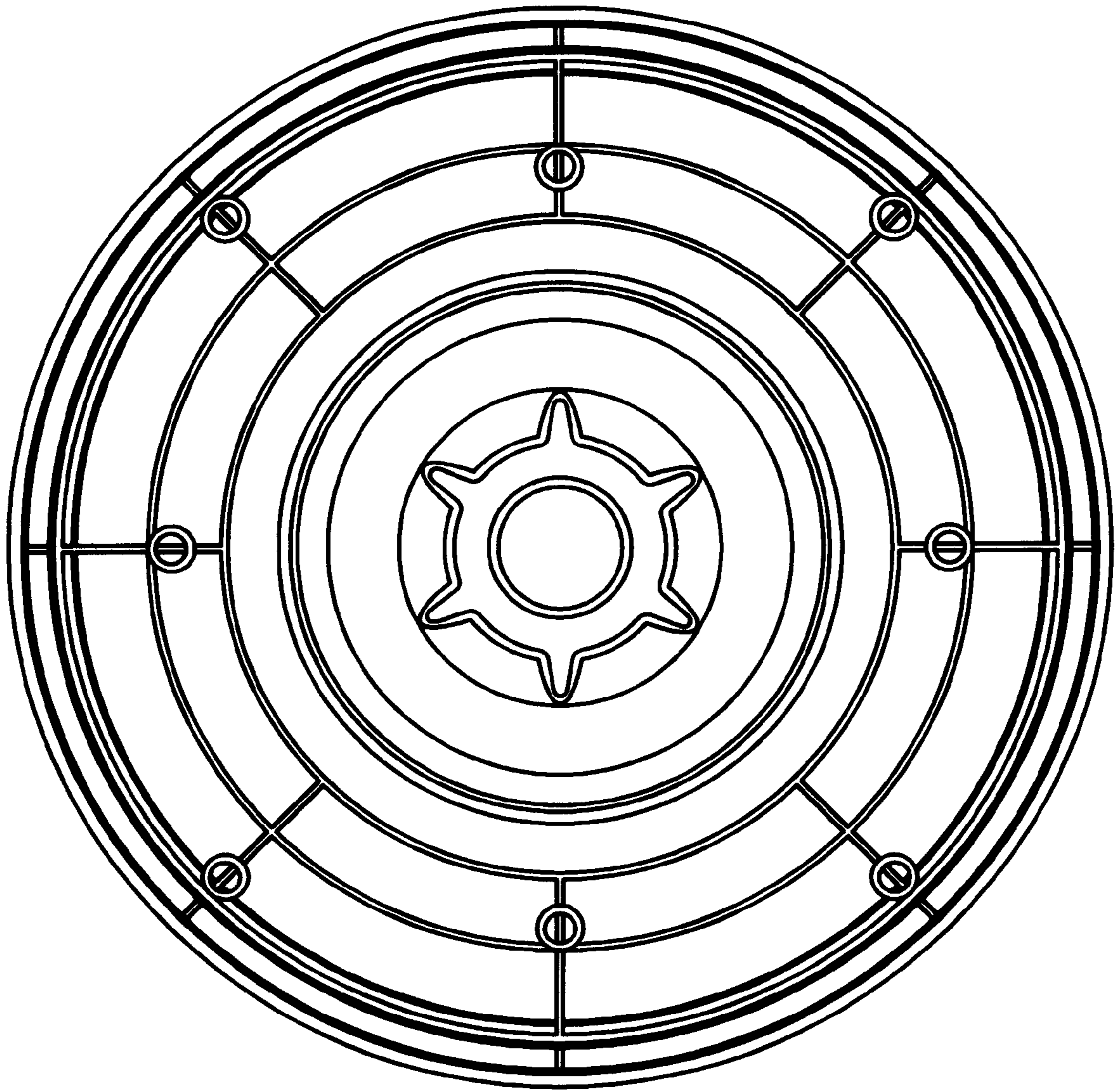


FIG. 6