



US00D423657S

# United States Patent [19]

Lee

[11] Patent Number: **Des. 423,657**

[45] Date of Patent: **\*\* Apr. 25, 2000**

[54] CERAMIC DISC FURNACE

[76] Inventor: **Eliza Lee**, c/o Del-Rain Corporation,  
4808 Wilton Ave., Niagara Falls, N.Y.  
14304

[\*\*] Term: **14 Years**

[21] Appl. No.: **29/105,860**

[22] Filed: **Jun. 4, 1999**

[51] LOC (6) Cl. .... **23-03**

[52] U.S. Cl. .... **D23/337**

[58] Field of Search ..... D23/329, 335,  
D23/332, 328, 337-339; 312/236, 373-6;  
392/365-9

### [56] References Cited

#### U.S. PATENT DOCUMENTS

- D. 284,504 7/1986 Okamoto et al. .
- D. 286,673 11/1986 Kahn .

- D. 395,490 6/1998 Jane et al. .... D23/332
- D. 398,387 9/1998 Wan ..... D23/328
- D. 410,074 5/1999 Lee ..... D23/332

*Primary Examiner*—B. J. Bullock  
*Attorney, Agent, or Firm*—Trojan Law Offices

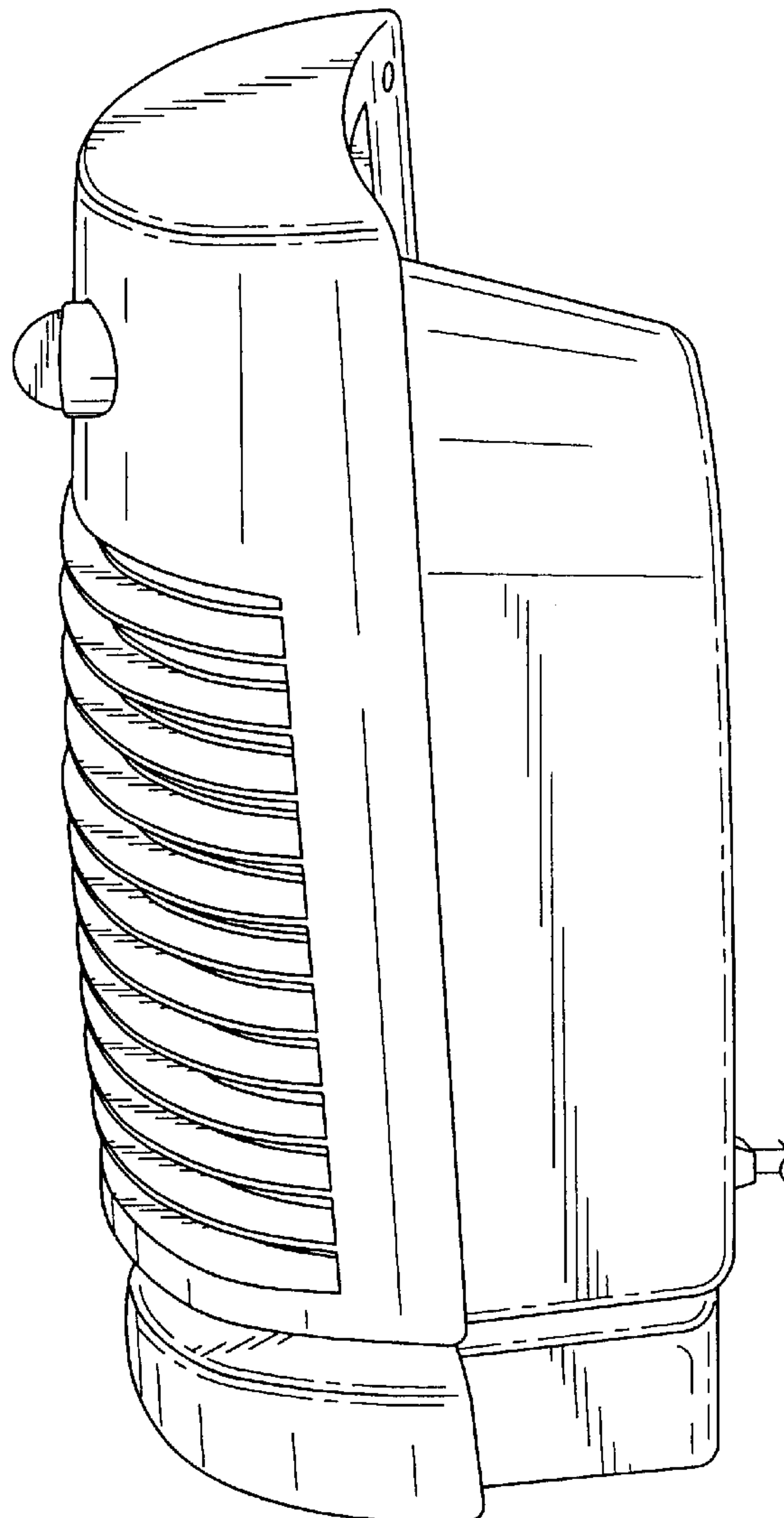
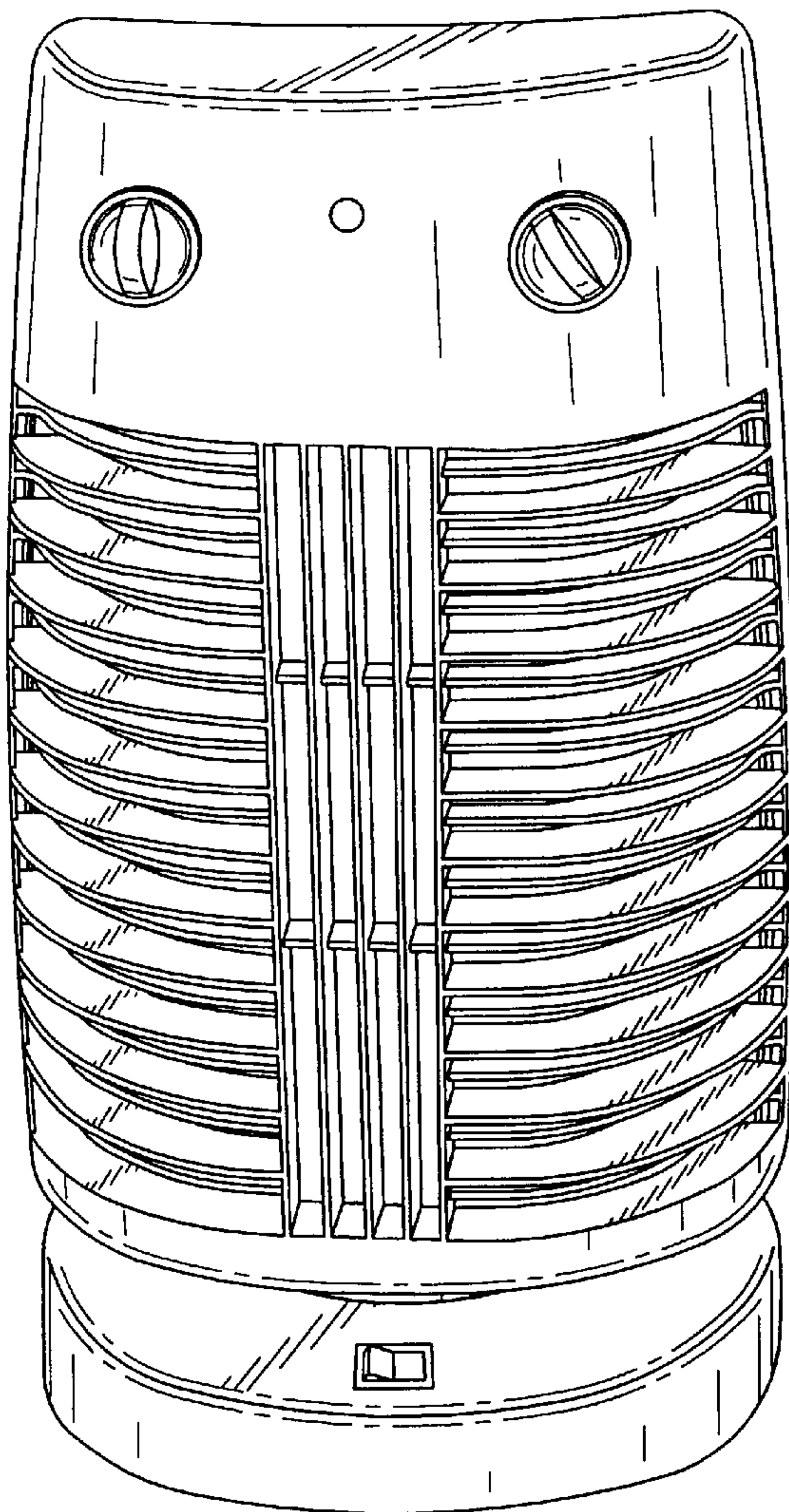
### [57] CLAIM

The ornamental design for a ceramic disc furnace, as shown and described.

### DESCRIPTION

FIG. 1 is a front perspective view for the ceramic disc furnace, showing the new design; FIG. 2 is a left side perspective view thereof; FIG. 3 is a top perspective view thereof; and, FIG. 4 is a perspective view of the back side thereof. The surface(s) or portion(s) of the article not shown in the drawing or described in the specification form(s) no part of the claimed design.

**1 Claim, 2 Drawing Sheets**



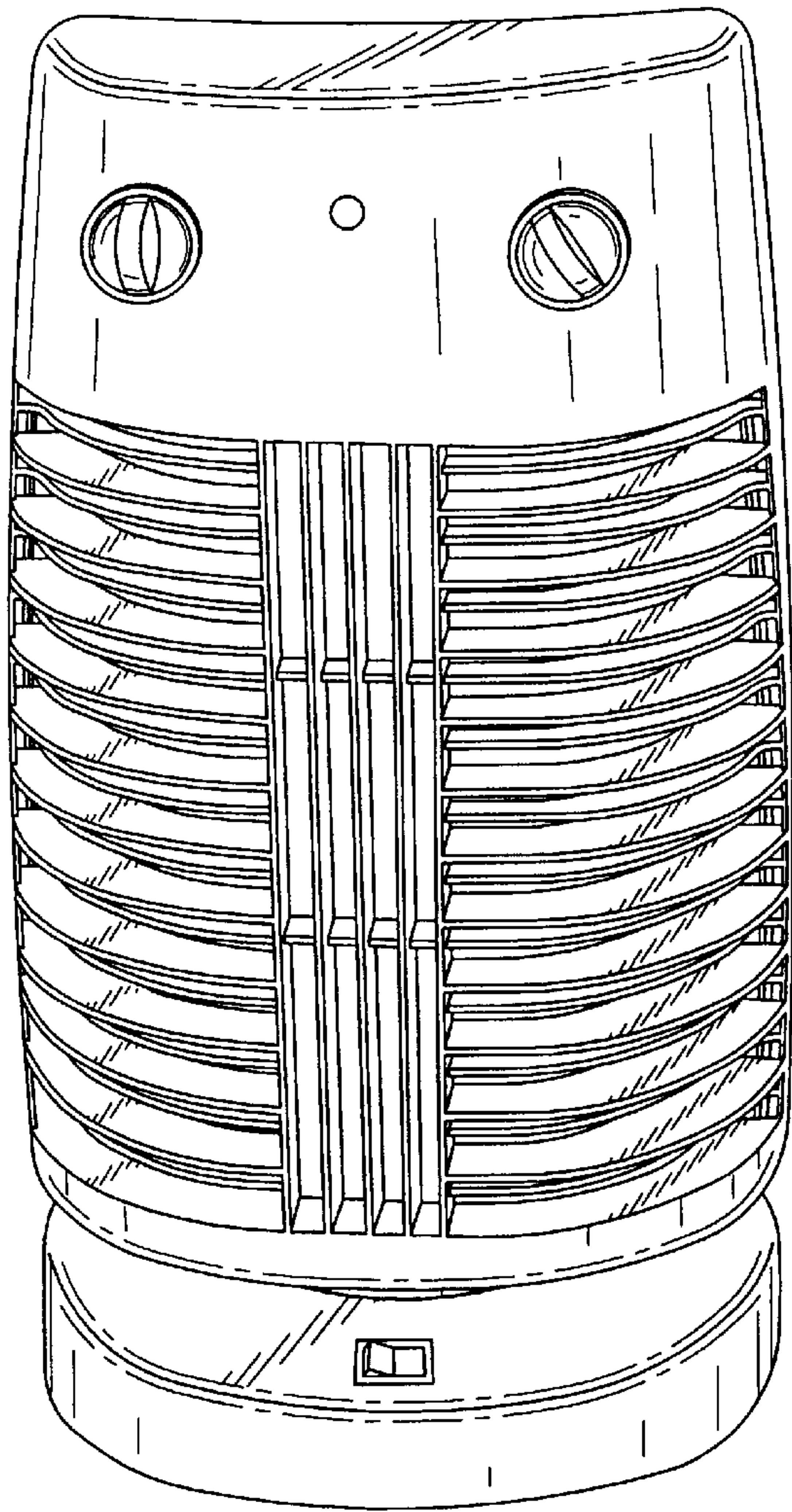


FIG. 1

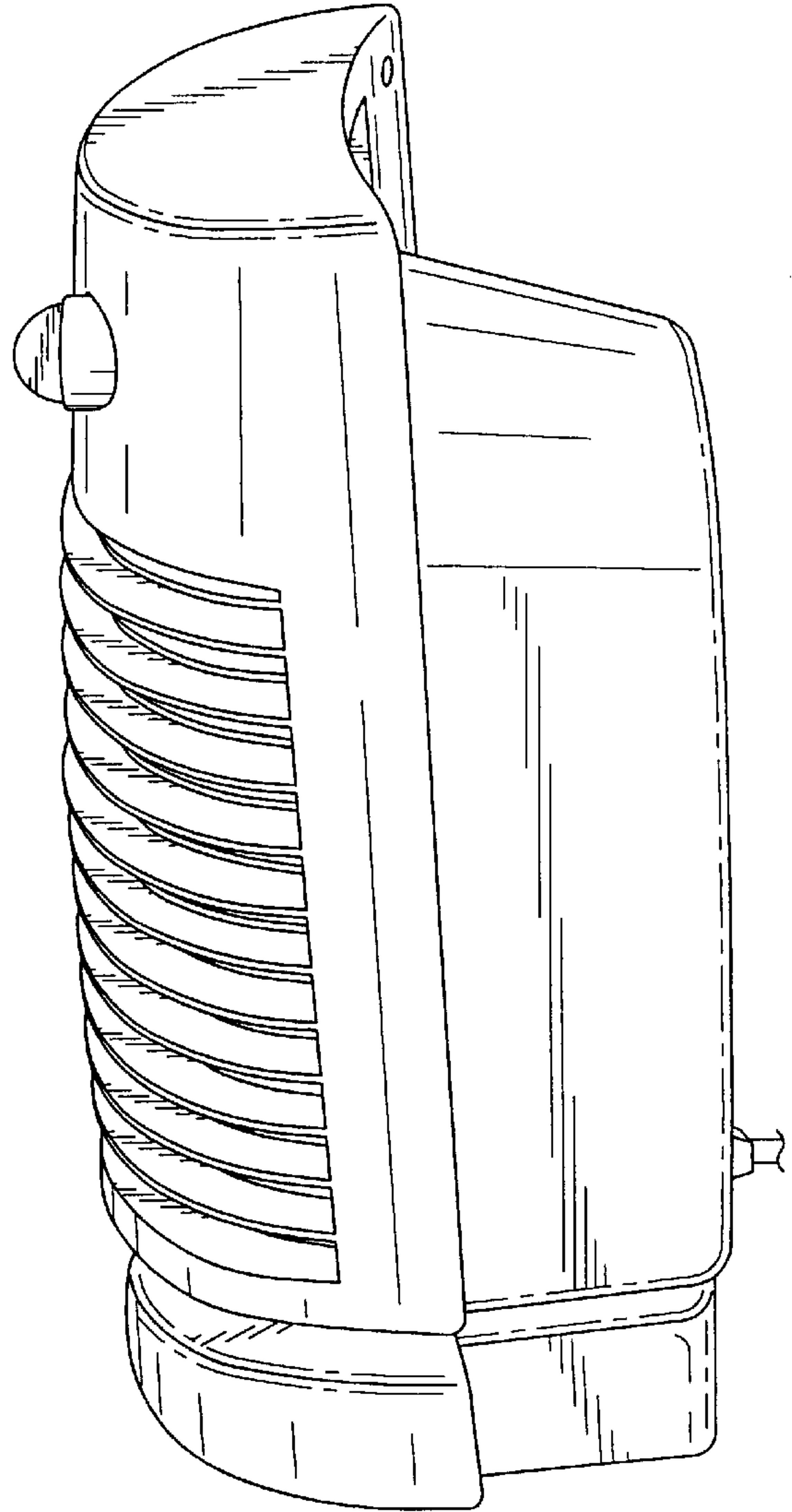
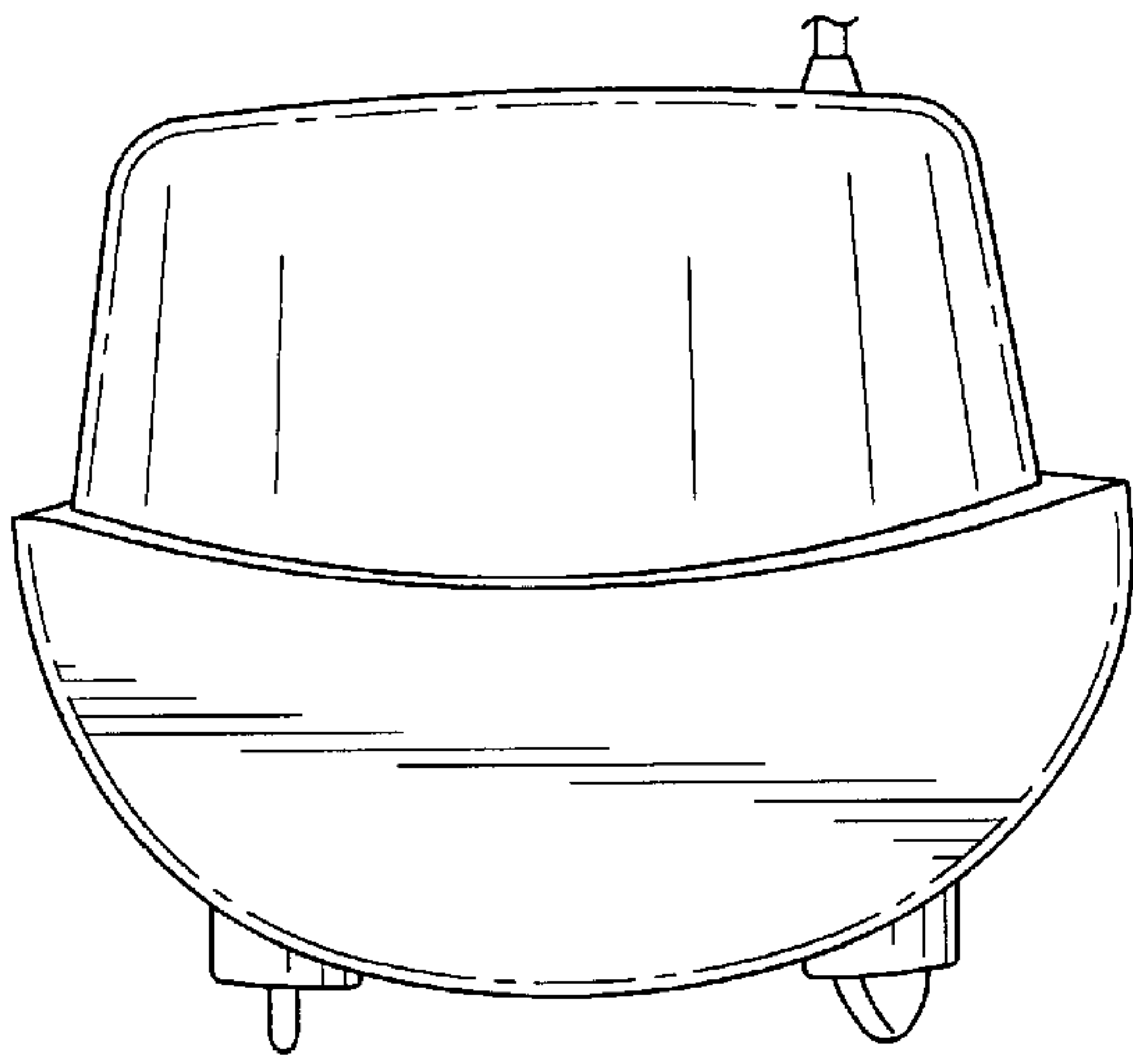
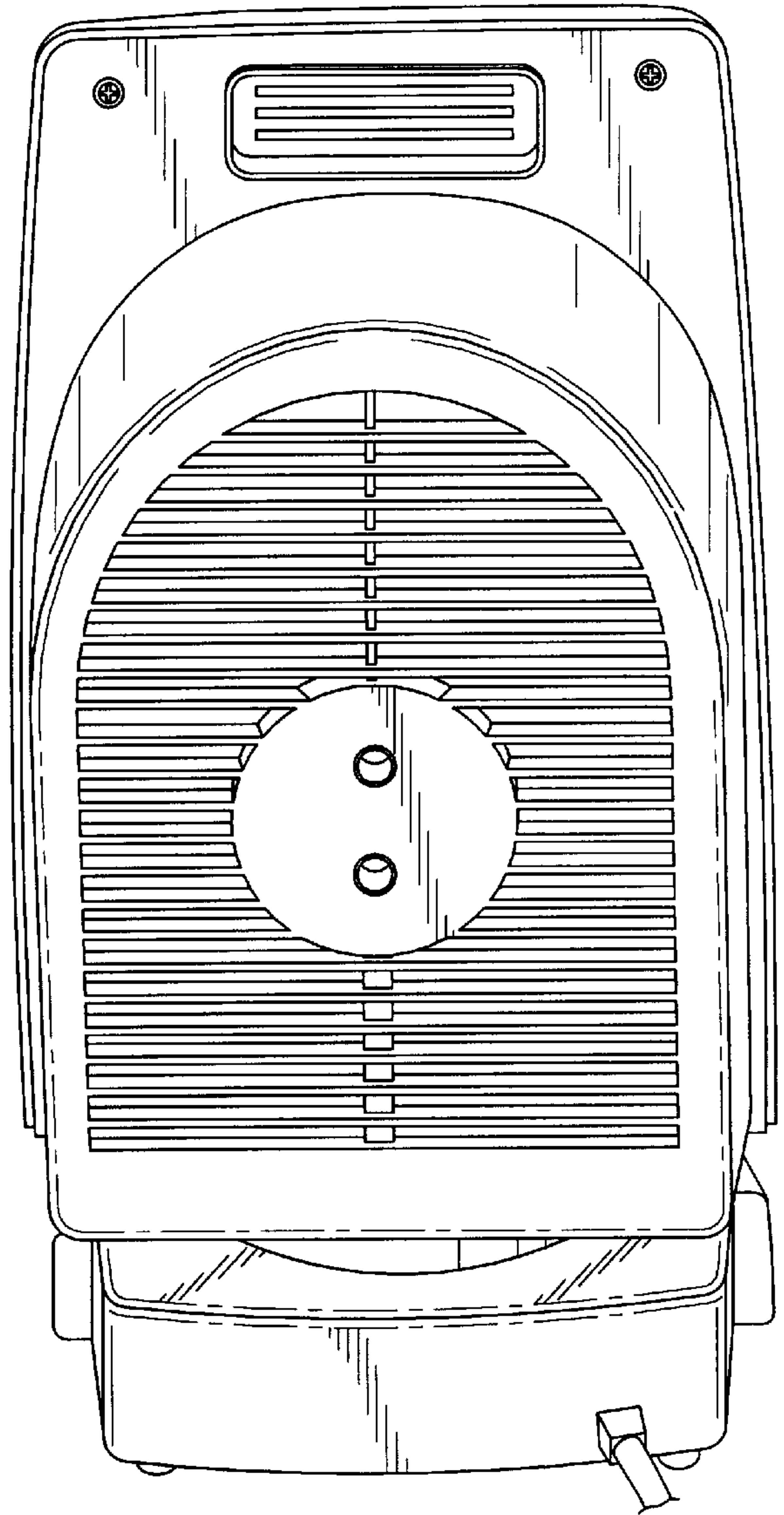


FIG. 2



*FIG. 3*



*FIG. 4*