



US00D423652S

United States Patent [19]
Kolada

[11] **Patent Number: Des. 423,652**

[45] **Date of Patent: ** Apr. 25, 2000**

[54] **SINK**

[75] Inventor: **Paul Kolada**, Bexley, Ohio

[73] Assignee: **American Standard Inc.**, Piscataway, N.J.

[**] Term: **14 Years**

[21] Appl. No.: **29/103,467**

[22] Filed: **Apr. 15, 1999**

[51] **LOC (6) Cl.** **23-02**

[52] **U.S. Cl.** **D23/284**

[58] **Field of Search** D23/284-293.1;
4/619, 624, 625, 626, 638-650

[56] **References Cited**

U.S. PATENT DOCUMENTS

- D. 218,606 9/1970 Lied D23/284
- D. 261,028 9/1981 Bitvai D23/284
- D. 262,485 12/1981 Wissinger D23/287

- D. 353,878 12/1994 Hauser, II D23/284
- D. 387,418 12/1997 Garza D23/284
- D. 387,857 12/1997 McKeone D23/284
- D. 391,353 2/1998 McKeone D23/284
- D. 393,057 3/1998 Gardner et al. D23/284
- D. 412,204 7/1999 Slothower et al. D23/284

Primary Examiner—Eric Watterson

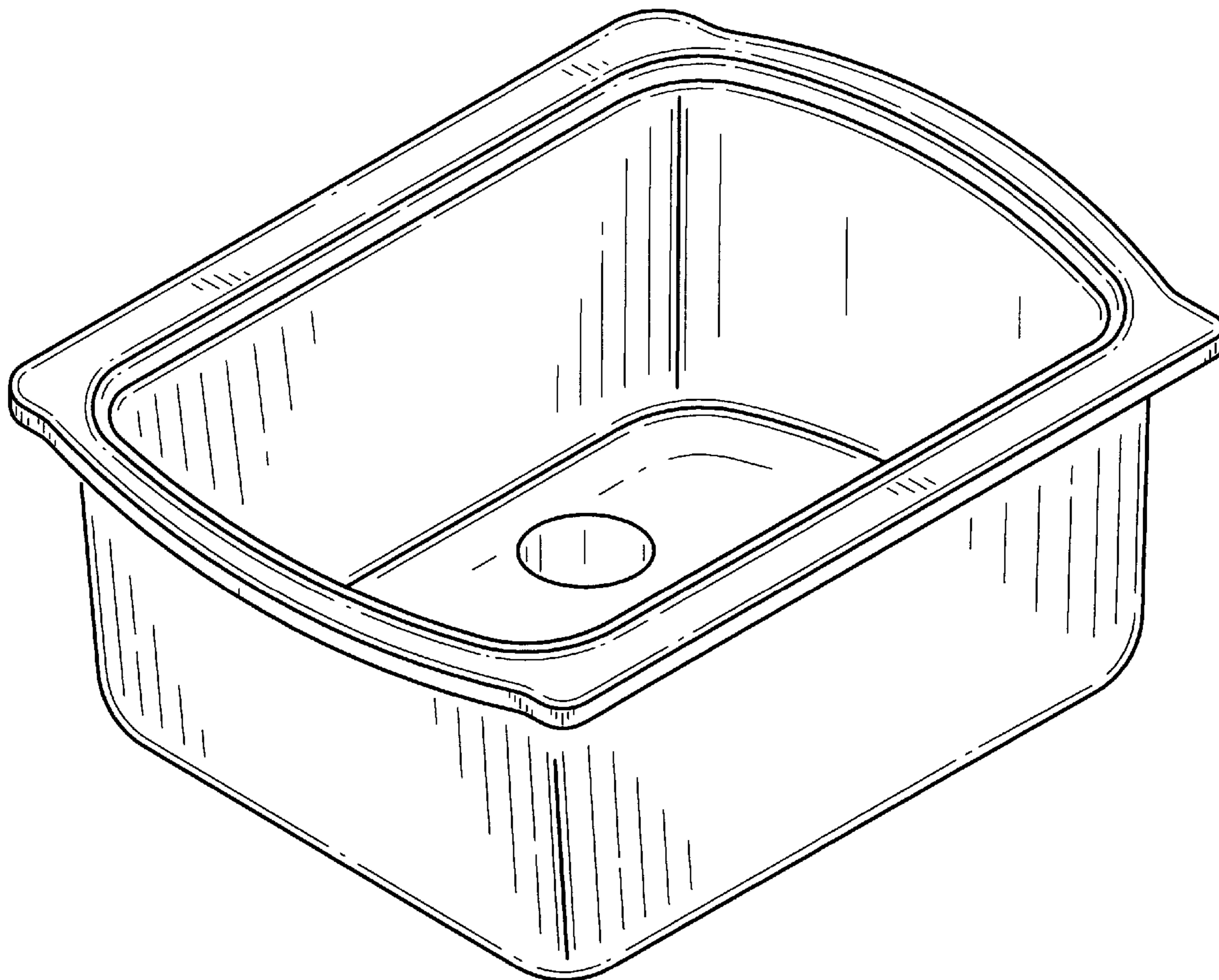
[57] **CLAIM**

The ornamental design for a sink, as shown and described.

DESCRIPTION

FIG. 1 is a perspective view of a sink showing my new design;
 FIG. 2 is a top plan view thereof;
 FIG. 3 is a front view thereof;
 FIG. 4 is a side elevational view, the opposite side being a mirror image thereof; and,
 FIG. 5 is a bottom plan view thereof.

1 Claim, 5 Drawing Sheets



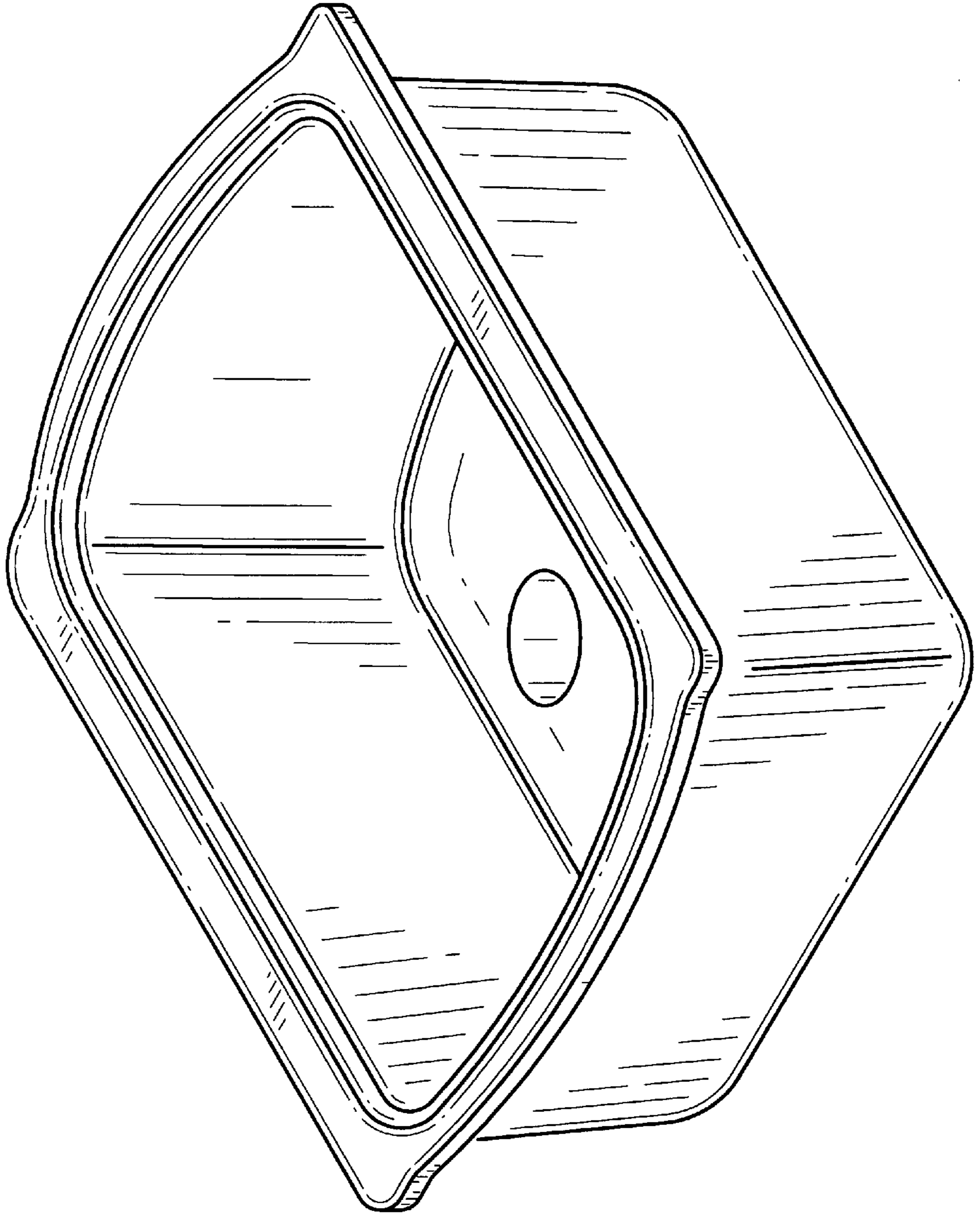


FIG-1

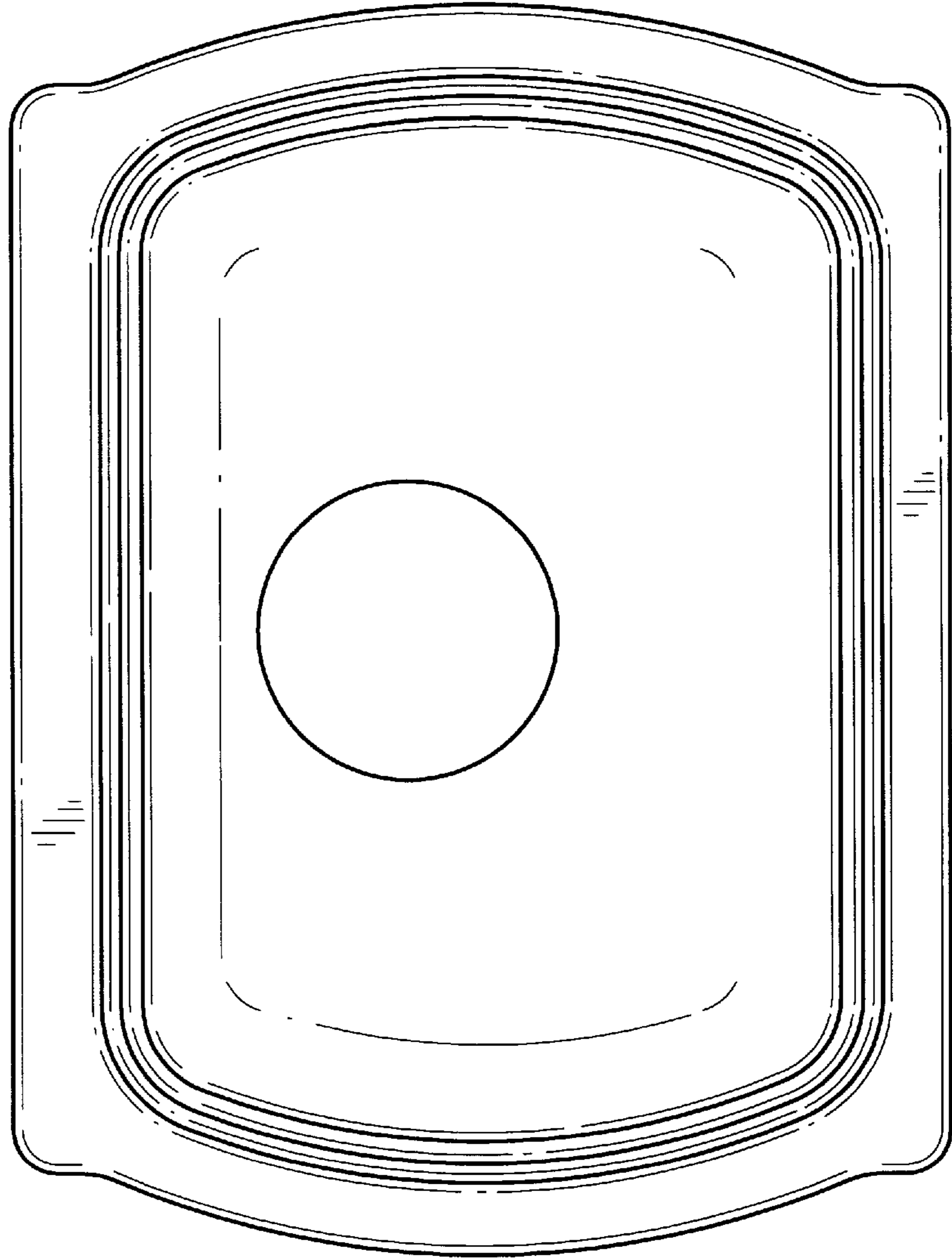


FIG-2

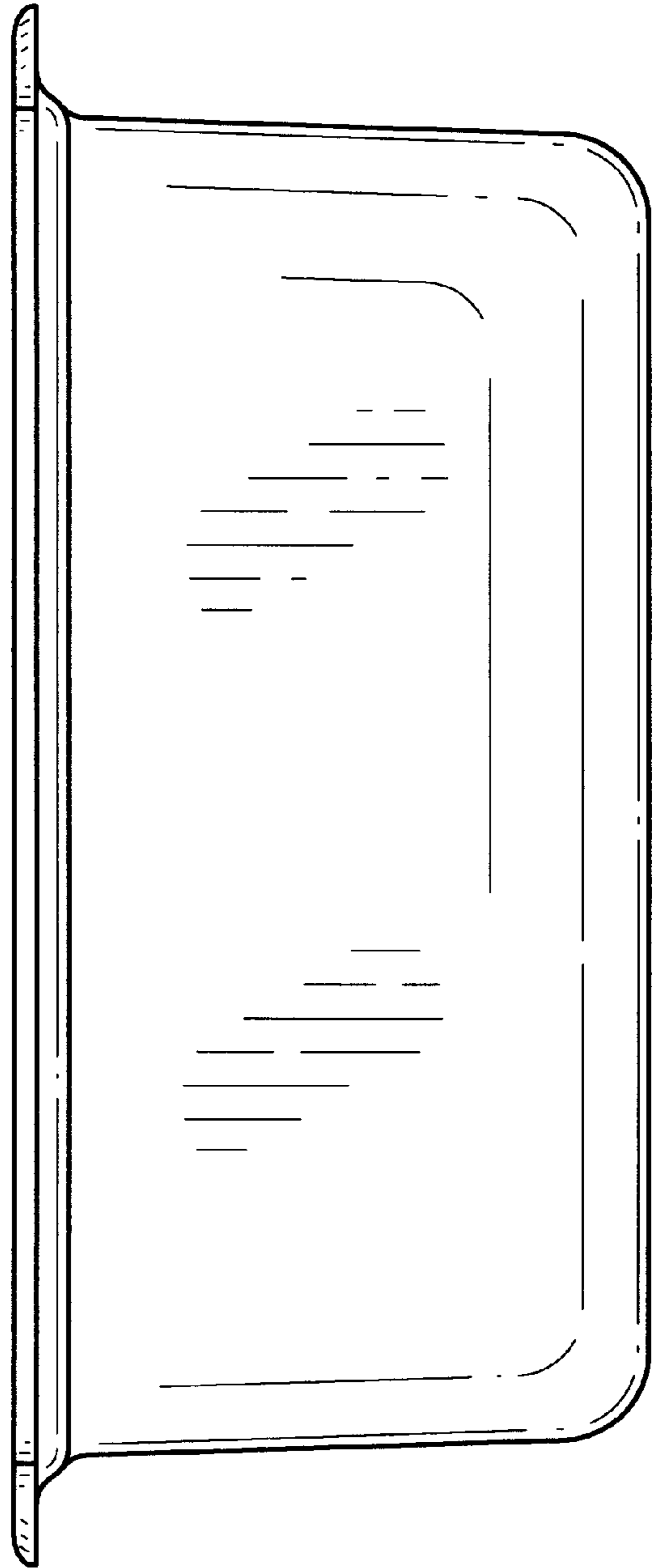
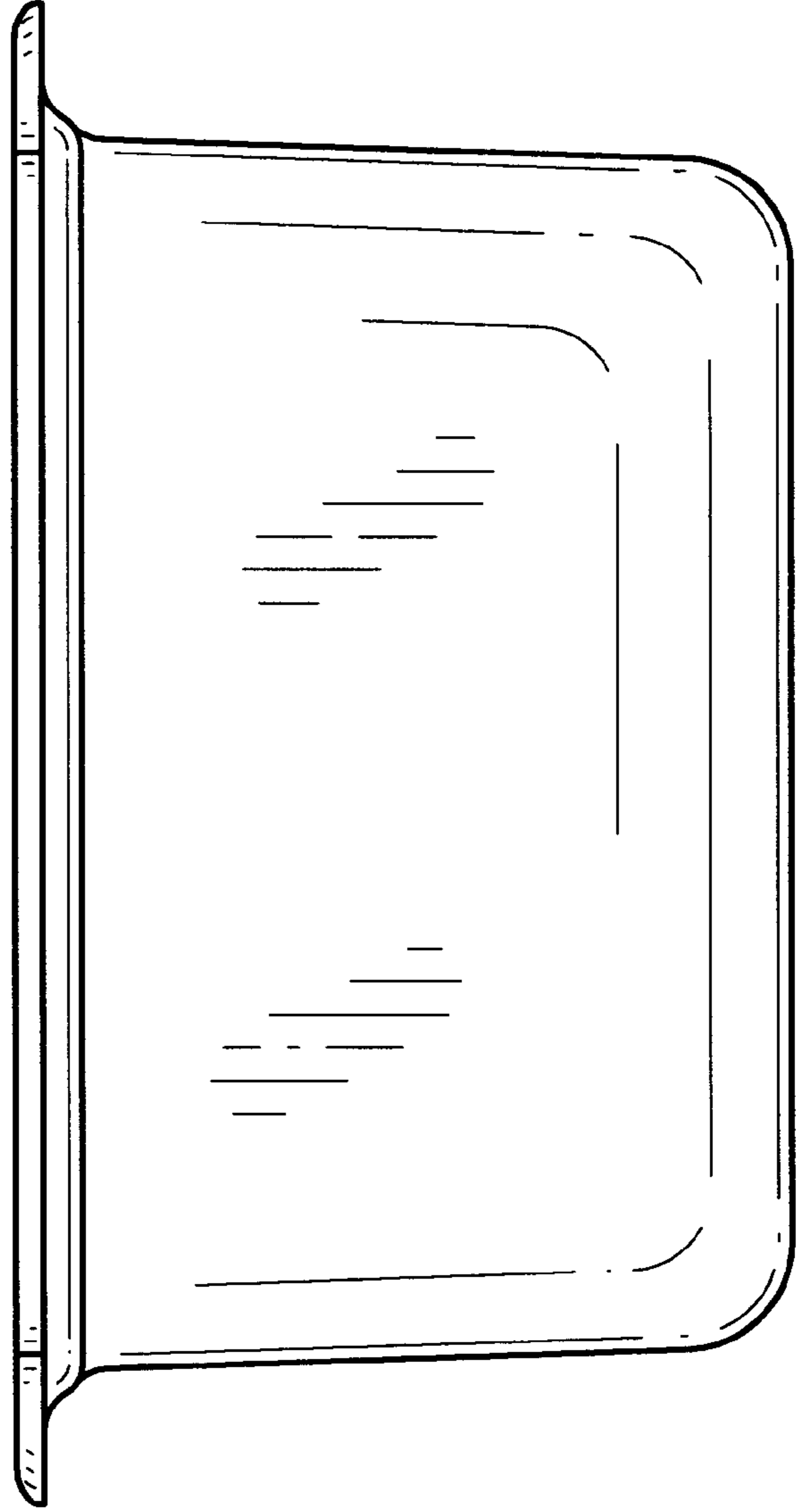


FIG-3

FIG-4



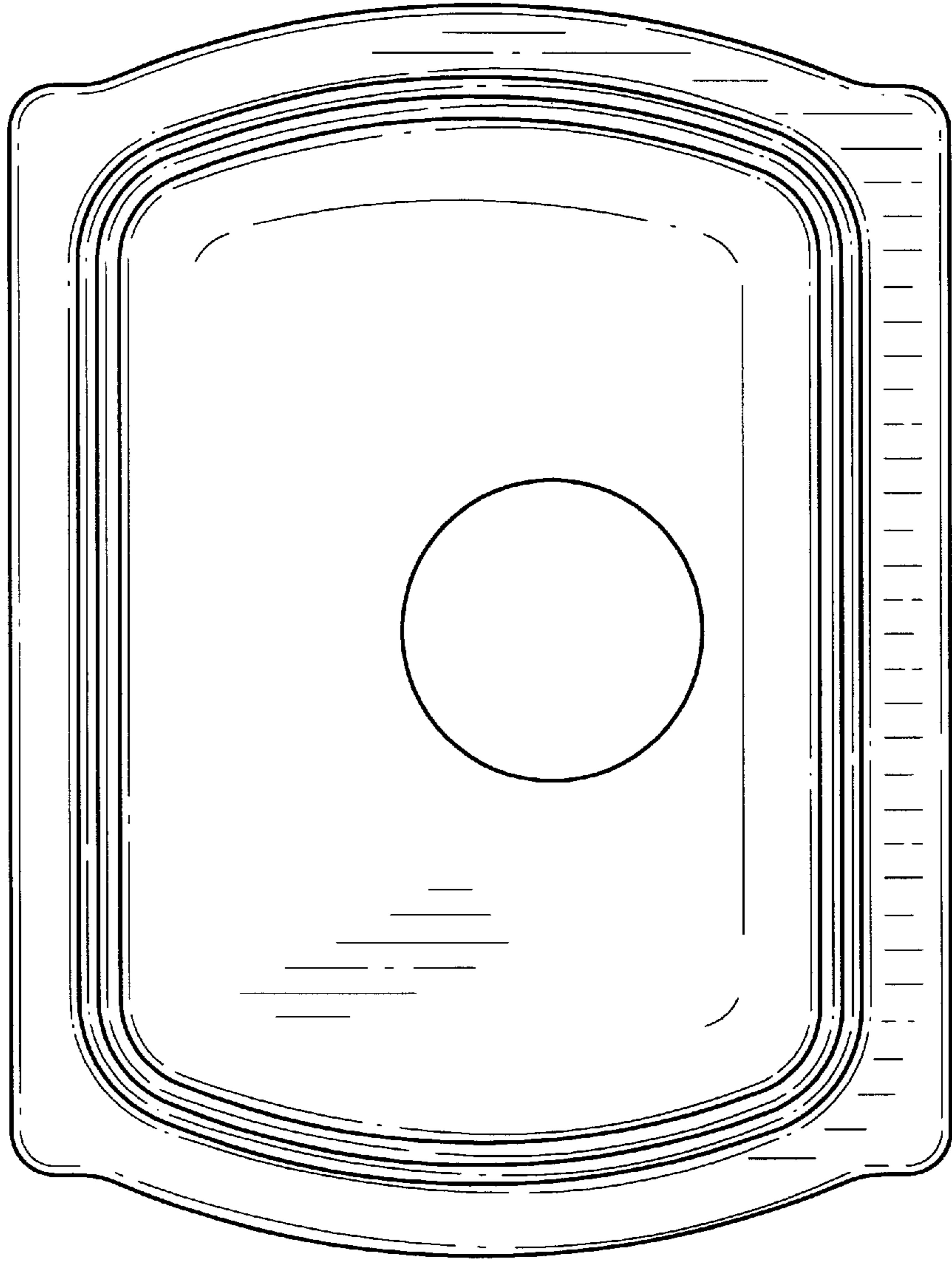


FIG-5