



US00D423649S

United States Patent [19] Lobermeier

[11] **Patent Number: Des. 423,649**

[45] **Date of Patent: ** Apr. 25, 2000**

[54] **LEVER HEAD FOR A FAUCET**

[75] Inventor: **Hans Lobermeier**, Menden, Germany

[73] Assignee: **Friedrich Grohe AG**, Hemer, Germany

[**] Term: **14 Years**

[21] Appl. No.: **29/107,249**

[22] Filed: **Jun. 30, 1999**

[30] Foreign Application Priority Data

Jan. 6, 1999 [DE] Germany 499 00 025

[51] **LOC (6) Cl.** **23-02**

[52] **U.S. Cl.** **D23/252**

[58] **Field of Search** D23/238-243,
D23/250-257; D8/300-310; 4/675-678;
137/801

[56] References Cited

U.S. PATENT DOCUMENTS

D. 299,109 12/1988 Jans D8/305
D. 302,849 8/1989 Kohler, Jr. et al. D23/252
D. 339,852 9/1993 Jans D23/252

D. 346,205 4/1994 Sauter et al. D23/252
D. 349,154 7/1994 Mark D23/252
D. 357,730 4/1995 Saperstein D23/252
D. 364,217 11/1995 Dubin D23/252
D. 368,767 4/1996 Gottwald D23/252
D. 382,942 8/1997 Spurgeon et al. D23/252
D. 392,721 3/1998 Doughty et al. D23/252
D. 407,144 3/1999 Formgren D23/252

Primary Examiner—Eric Watterson
Attorney, Agent, or Firm—Herbert Dubno

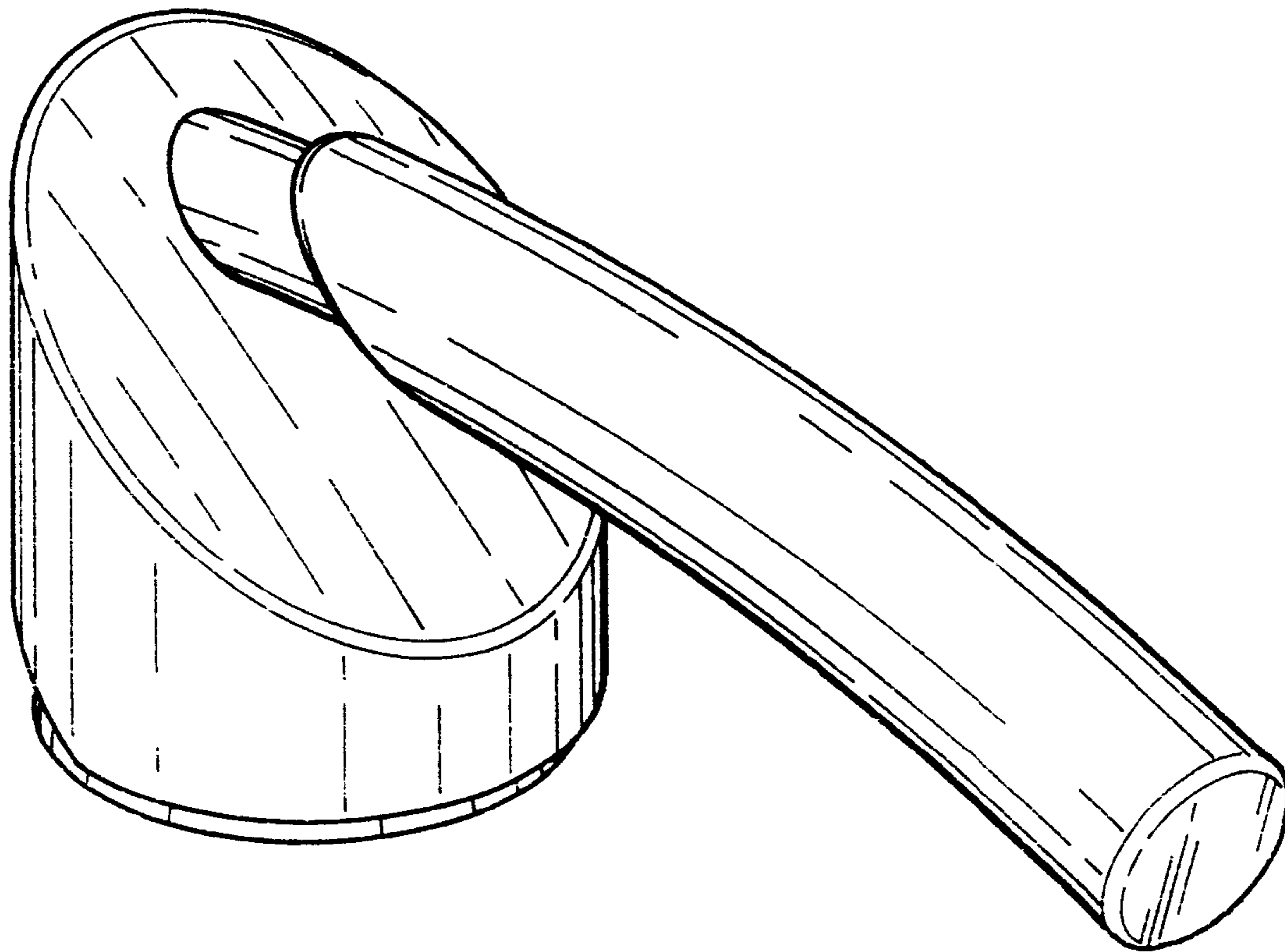
[57] CLAIM

The ornamental design for a lever head for a faucet, as shown and described.

DESCRIPTION

FIG. 1 is a top, front, left-side perspective view of a lever head for a faucet showing my new design;
FIG. 2 is a top view thereof;
FIG. 3 is a left side elevational view thereof, the right side being mirror symmetrical thereto;
FIG. 4 is a bottom view thereof;
FIG. 5 is a front view thereof; and,
FIG. 6 is a rear view thereof.

1 Claim, 3 Drawing Sheets



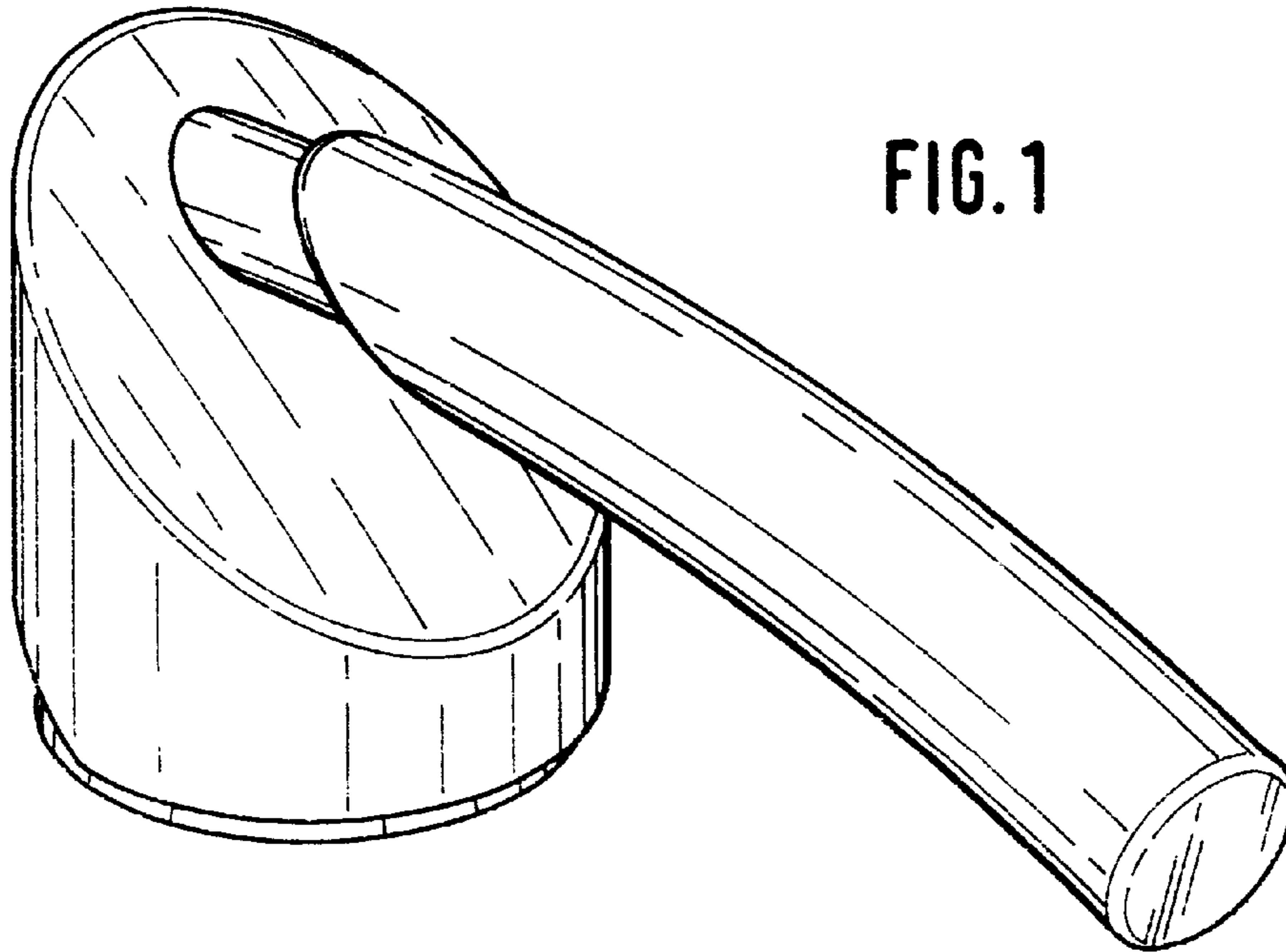


FIG. 1

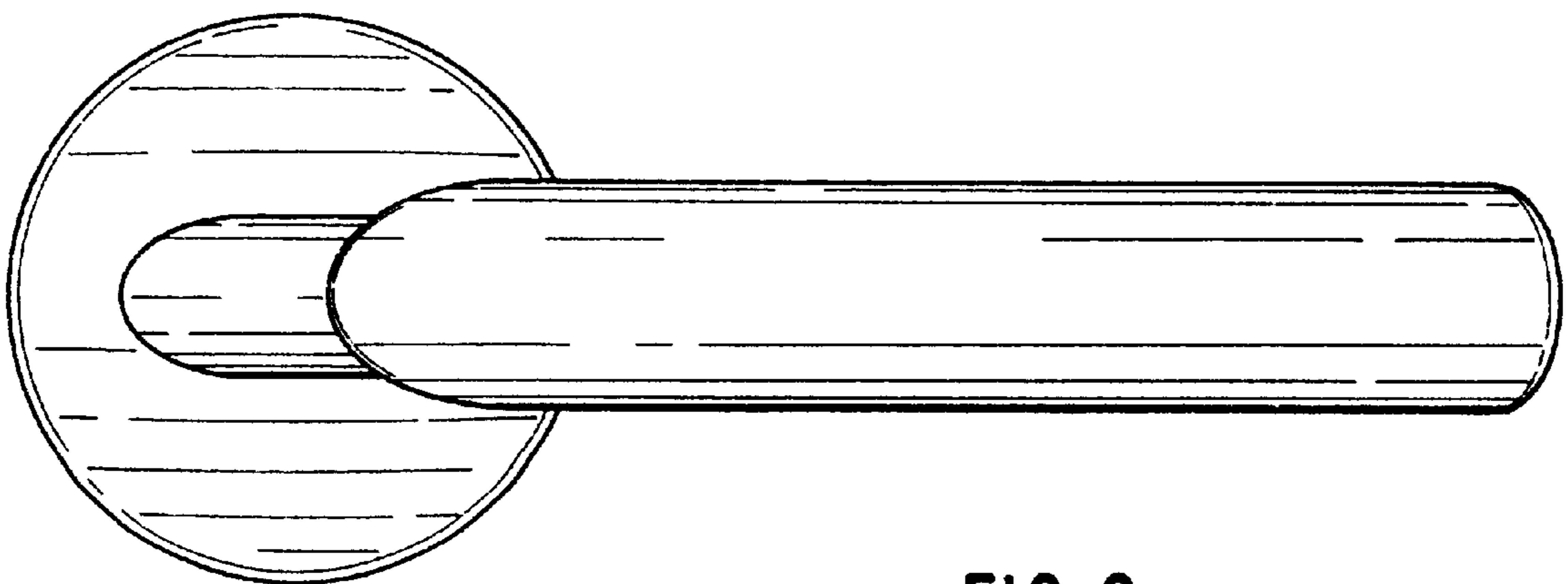


FIG. 2

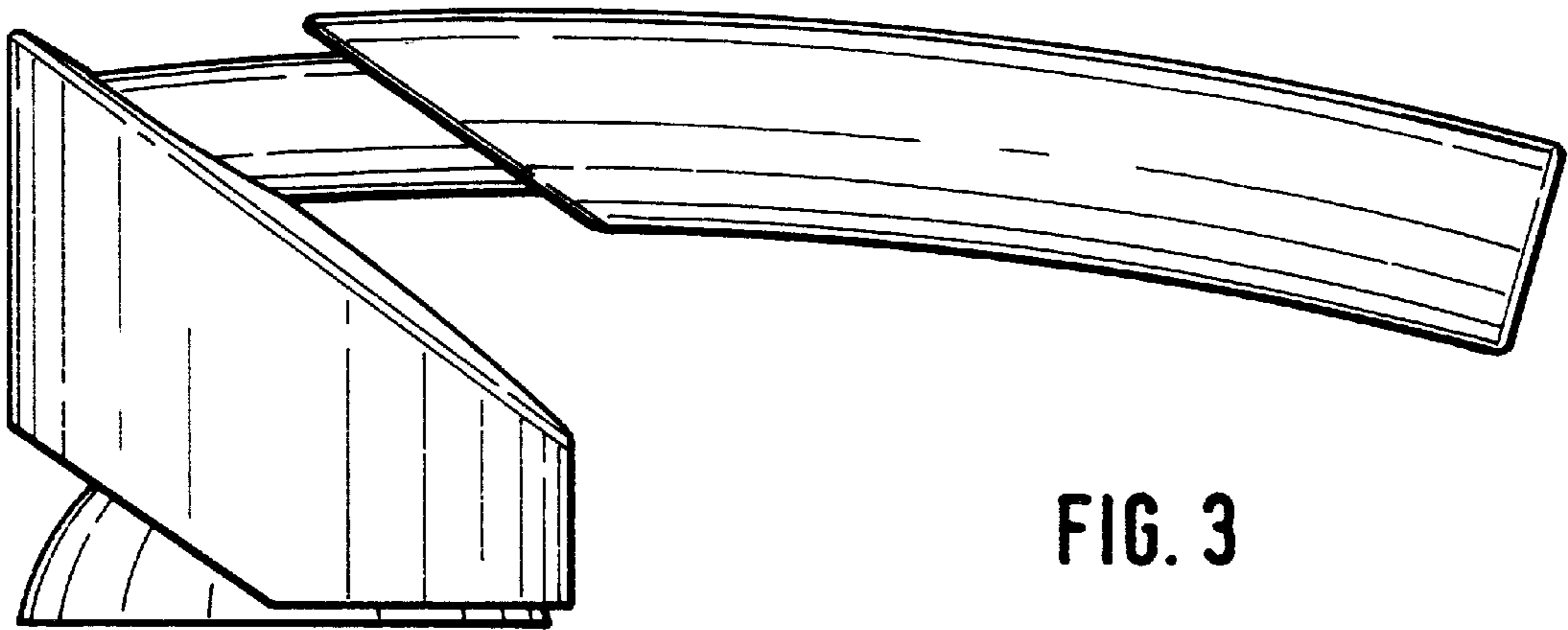


FIG. 3

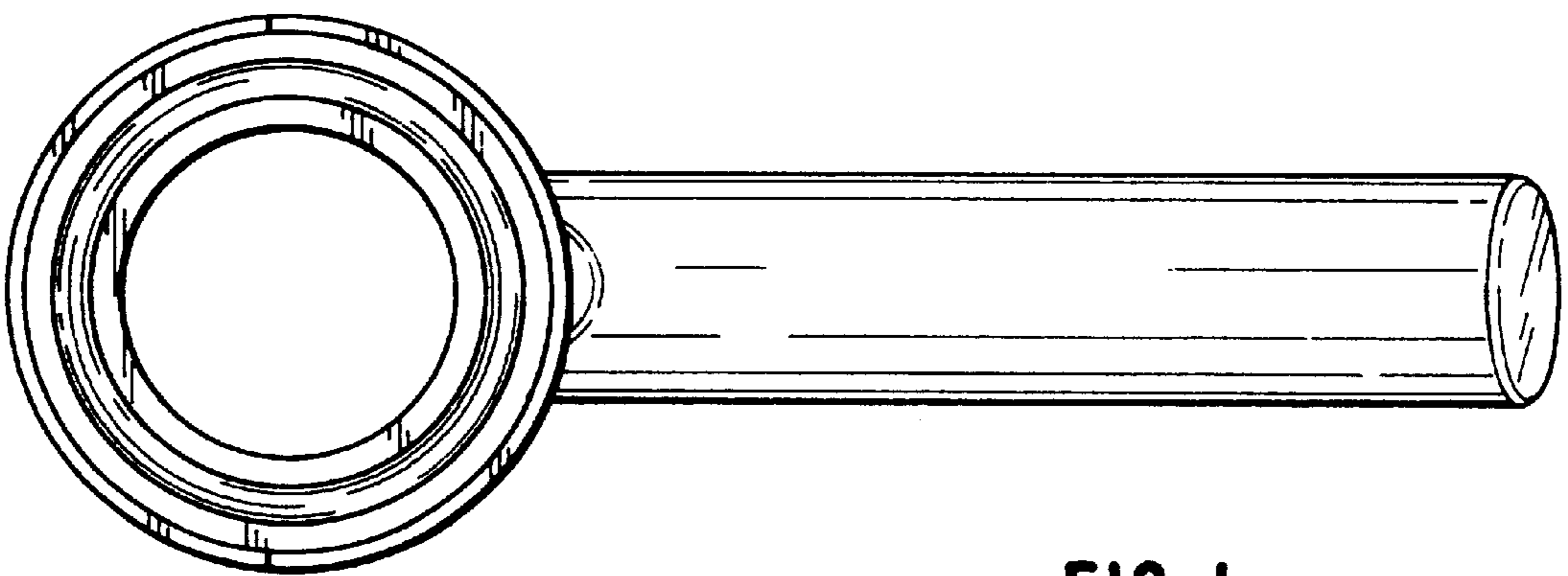


FIG. 4

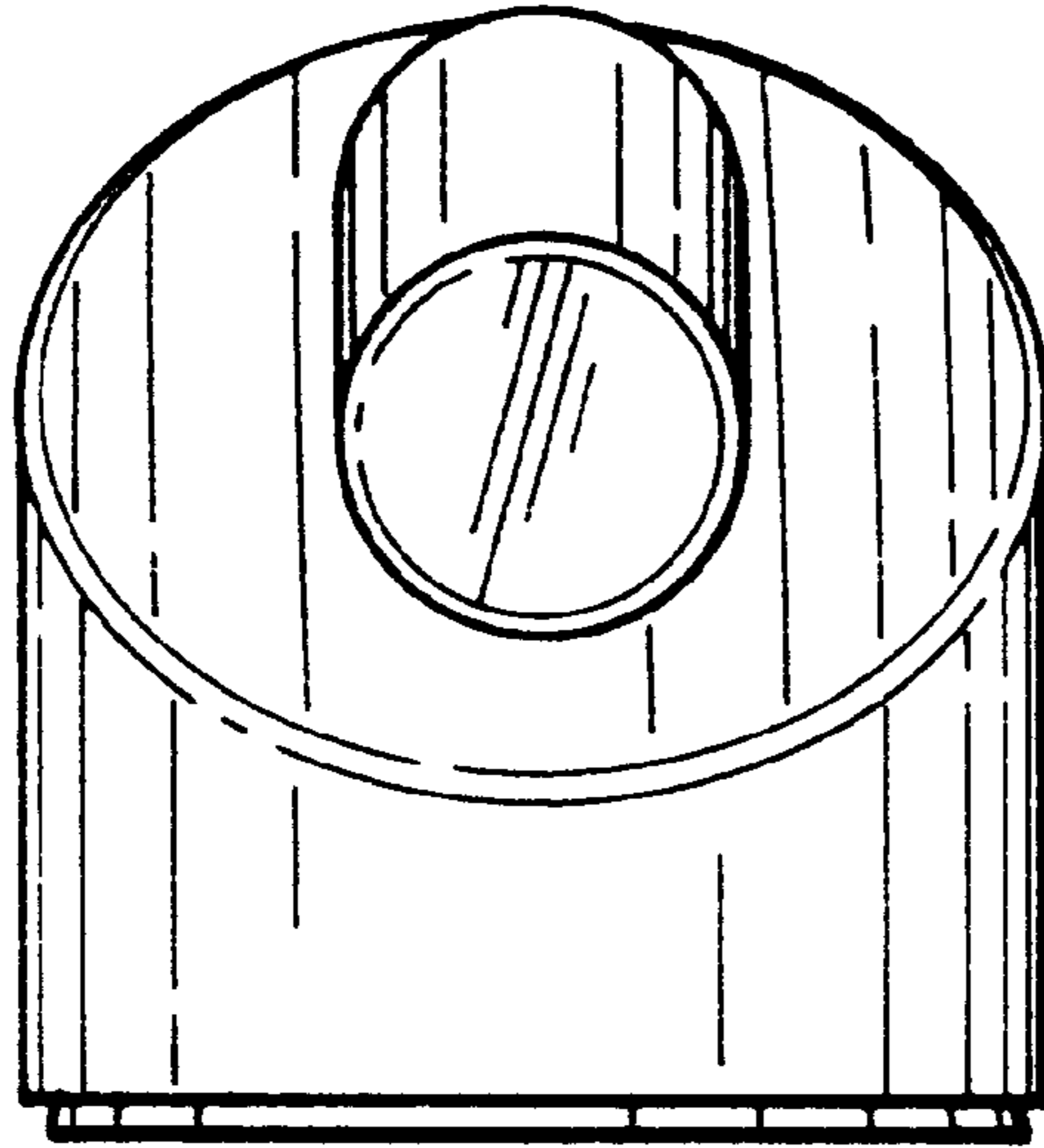


FIG. 5

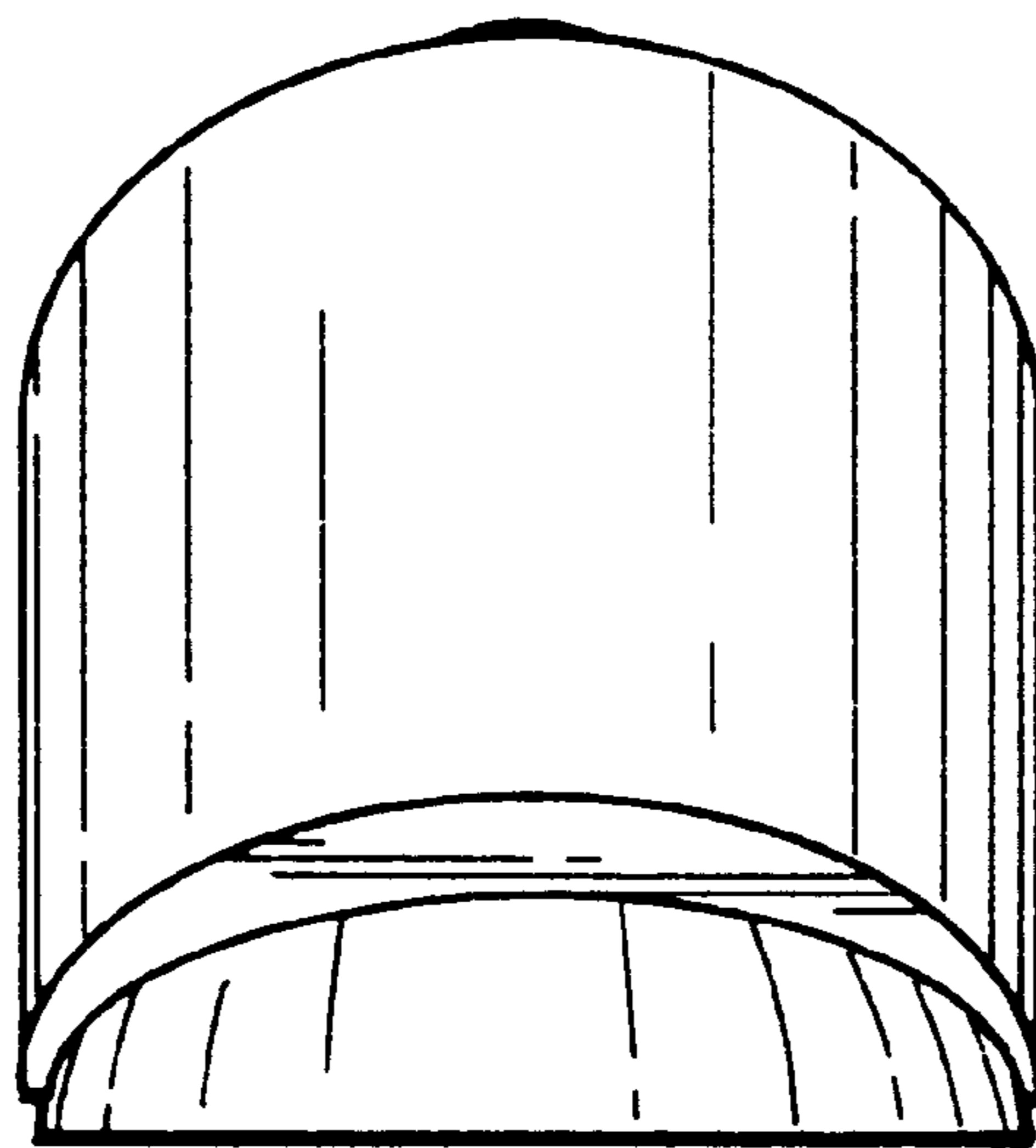


FIG. 6