



US00D423648S

United States Patent [19] Garcia

[11] Patent Number: **Des. 423,648**

[45] Date of Patent: **** Apr. 25, 2000**

[54] FAUCET HANDLE

[75] Inventor: **Jesus Garcia**, Monterrey, Mexico

[73] Assignee: **American Standard Inc.**, Piscataway, N.J.

[**] Term: **14 Years**

[21] Appl. No.: **29/098,890**

[22] Filed: **Jan. 7, 1999**

Related U.S. Application Data

[62] Division of application No. 29/069,136, Apr. 11, 1997, Pat. No. Des. 408,505.

[51] LOC (6) Cl. **23-01**

[52] U.S. Cl. **D23/250**

[58] Field of Search D23/238-243,
D23/250-257; 4/675-678; D8/300-310;
16/110 R, 121

[56] References Cited

U.S. PATENT DOCUMENTS

- D. 101,449 10/1936 Dreyfuss et al. .
- D. 197,986 4/1964 Schlage D50/3

- D. 290,495 6/1987 Ryan D23/250
- D. 299,515 1/1989 Fabian D23/250
- D. 304,071 10/1989 Haug et al. D23/250
- D. 324,807 3/1992 Reid et al. D8/310
- D. 329,911 9/1992 Yost D23/250
- D. 333,697 3/1993 Thomas D23/250
- D. 358,870 5/1995 Formgren D23/250
- D. 378,775 4/1997 Kergoet D23/250
- D. 404,121 1/1999 Gottwald D23/250

Primary Examiner—Eric Watterson

[57] CLAIM

The ornamental design for a faucet handle, as shown and described.

DESCRIPTION

FIG. 1 is a perspective view of a faucet handle, showing my new design;
 FIG. 2 is a front elevational view thereof;
 FIG. 3 is a rear elevational view thereof;
 FIG. 4 is a side elevational view thereof;
 FIG. 5 is a top plan view thereof; and,
 FIG. 6 is a bottom plan view thereof.
 The broken line showing is for illustrative purposes only and forms no part of the claimed design.

1 Claim, 1 Drawing Sheet

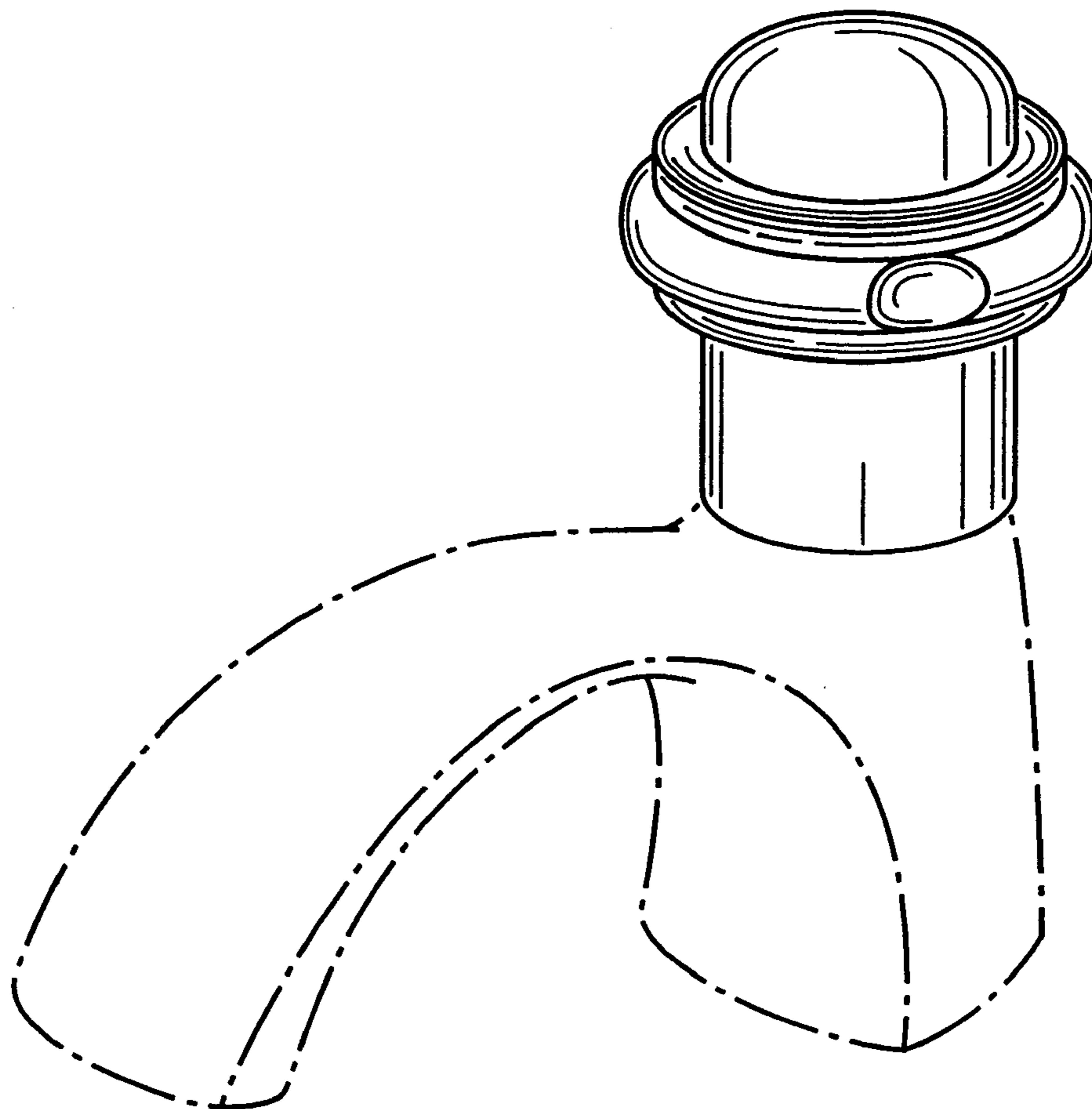


FIG. 1

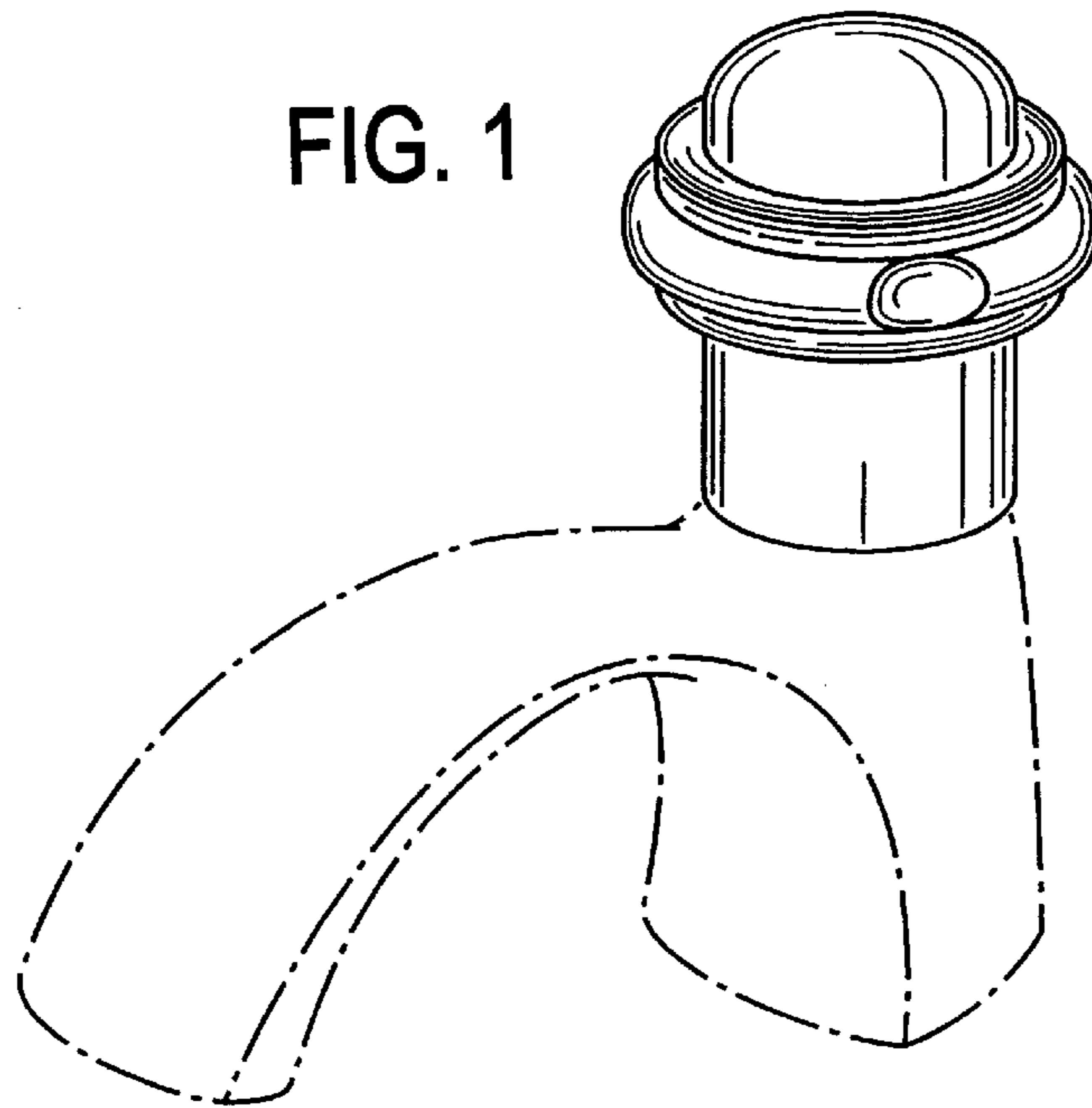


FIG. 2

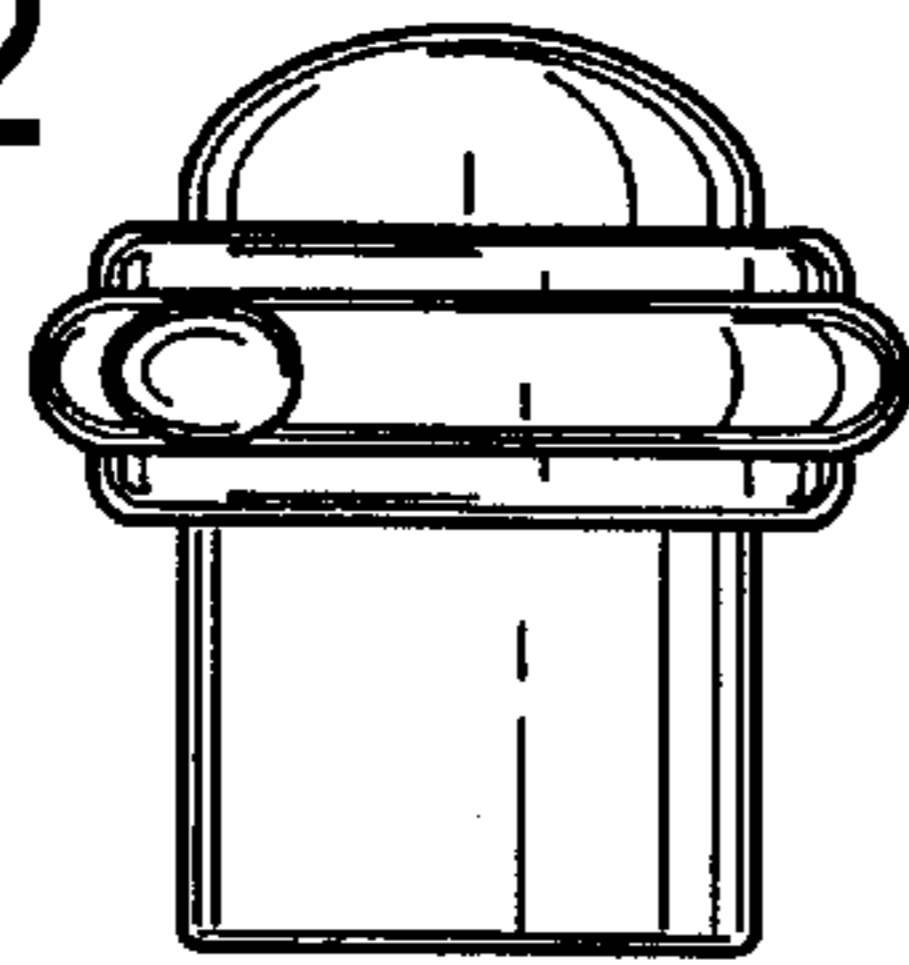


FIG. 3

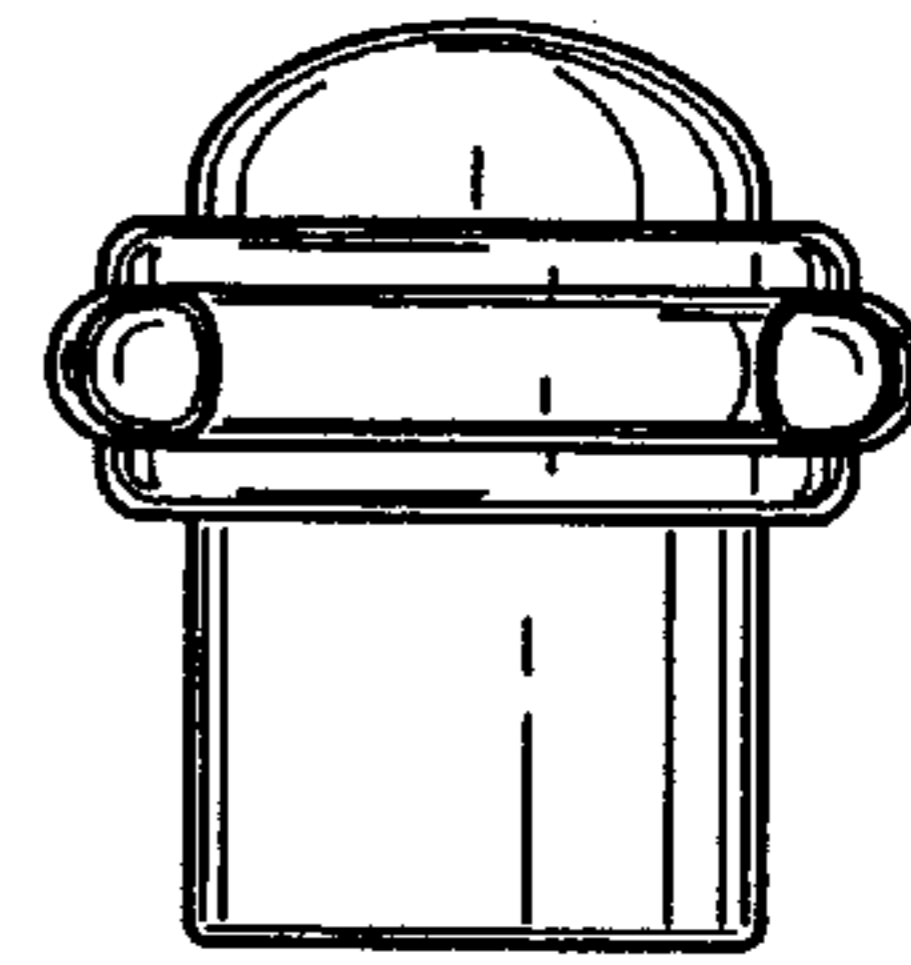


FIG. 4

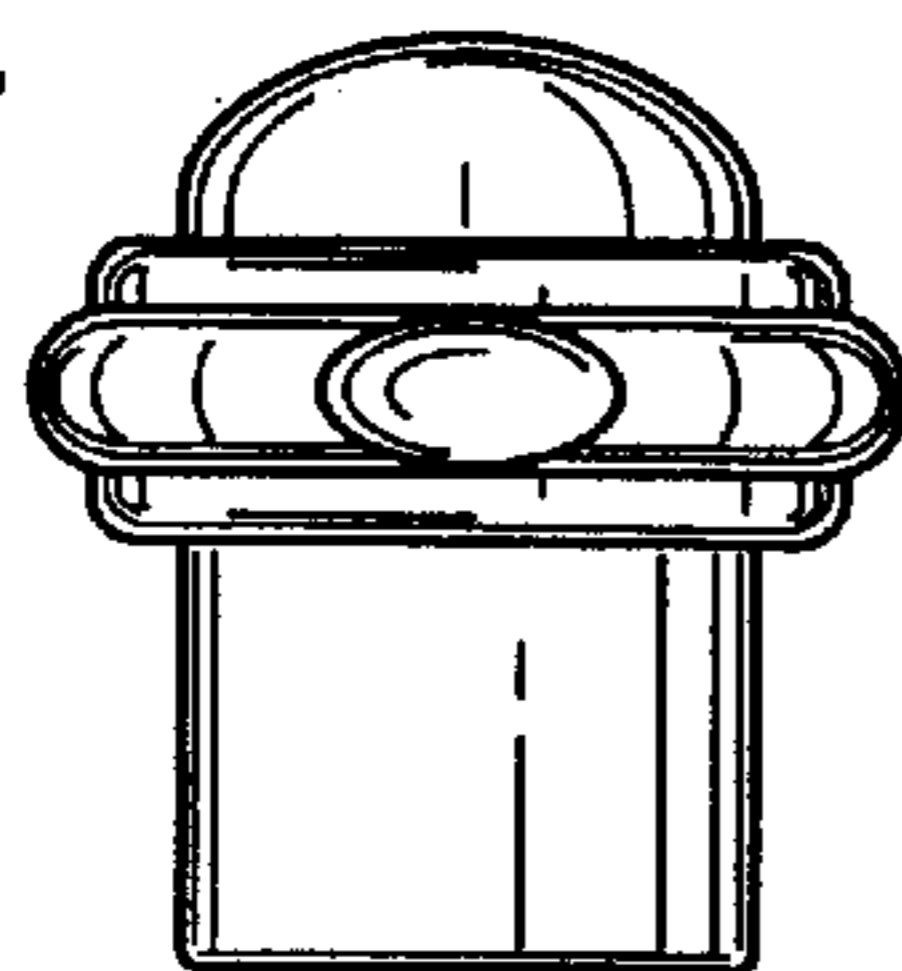


FIG. 5

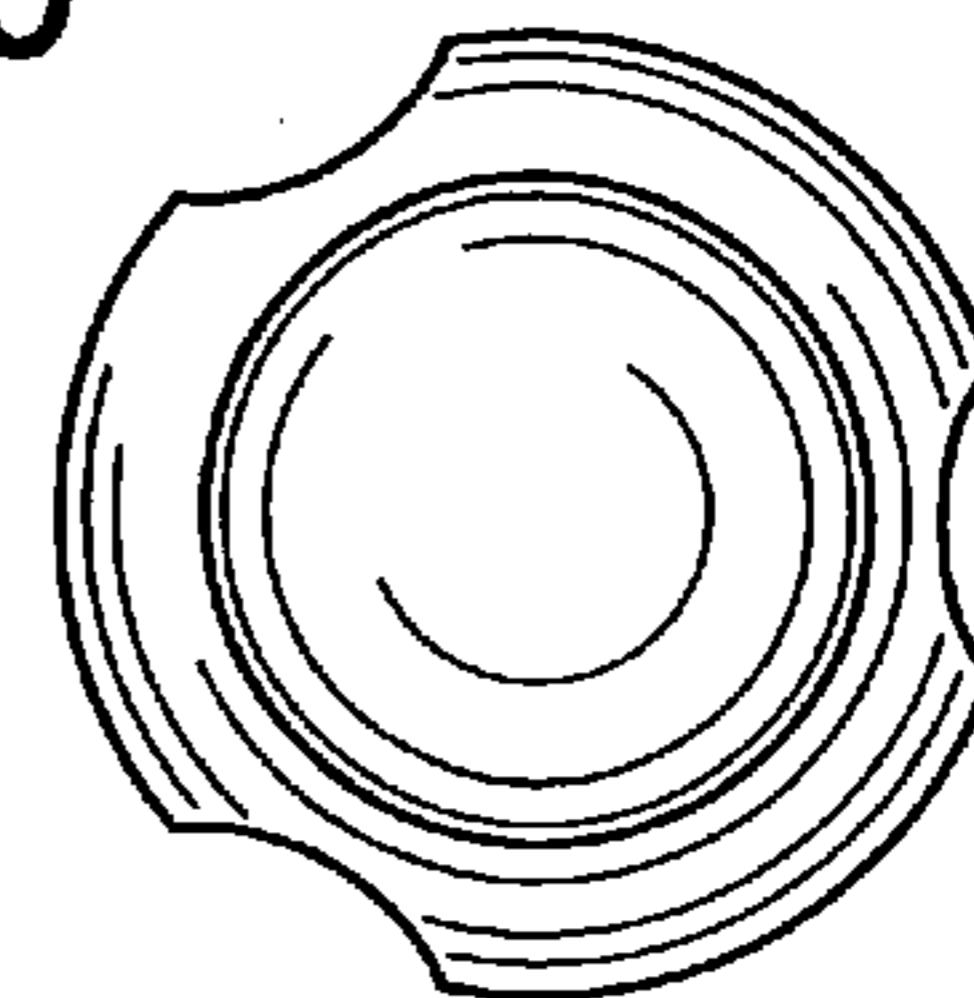


FIG. 6

