



US00D423647S

**United States Patent** [19]  
**Gottwald et al.**

[11] **Patent Number: Des. 423,647**  
[45] **Date of Patent: \*\* Apr. 25, 2000**

[54] **BATHTUB FAUCET**

[75] Inventors: **Adolf Gottwald**, Iserlohn; **Daniel Mültenmeister**, Havixbeck, both of Germany

[73] Assignee: **Friedrich Grohe AG**, Hemer, Germany

[\*\*] Term: **14 Years**

[21] Appl. No.: **29/105,049**

[22] Filed: **May 17, 1999**

[30] **Foreign Application Priority Data**

Dec. 18, 1998 [DE] Germany ..... 498 12 219

[51] **LOC (6) Cl.** ..... **23-01**

[52] **U.S. Cl.** ..... **D23/238**

[58] **Field of Search** ..... D23/238-243, D23/250-257; 4/675-678; 137/801

[56] **References Cited**

**U.S. PATENT DOCUMENTS**

D. 372,518 8/1996 Gottwald ..... D23/238

D. 375,784 11/1996 Gottwald ..... D23/238  
D. 388,774 1/1998 Giuntoli ..... D14/114  
D. 402,736 12/1998 Kergoet ..... D23/238  
D. 404,800 1/1999 Lobermeier ..... D23/238  
D. 408,502 4/1999 Lobermeier ..... D23/238  
D. 409,284 5/1999 Gottwald ..... D23/238  
D. 409,727 5/1999 Lobermeier ..... D23/238

*Primary Examiner*—Eric Watterson  
*Attorney, Agent, or Firm*—Herbert Dubno

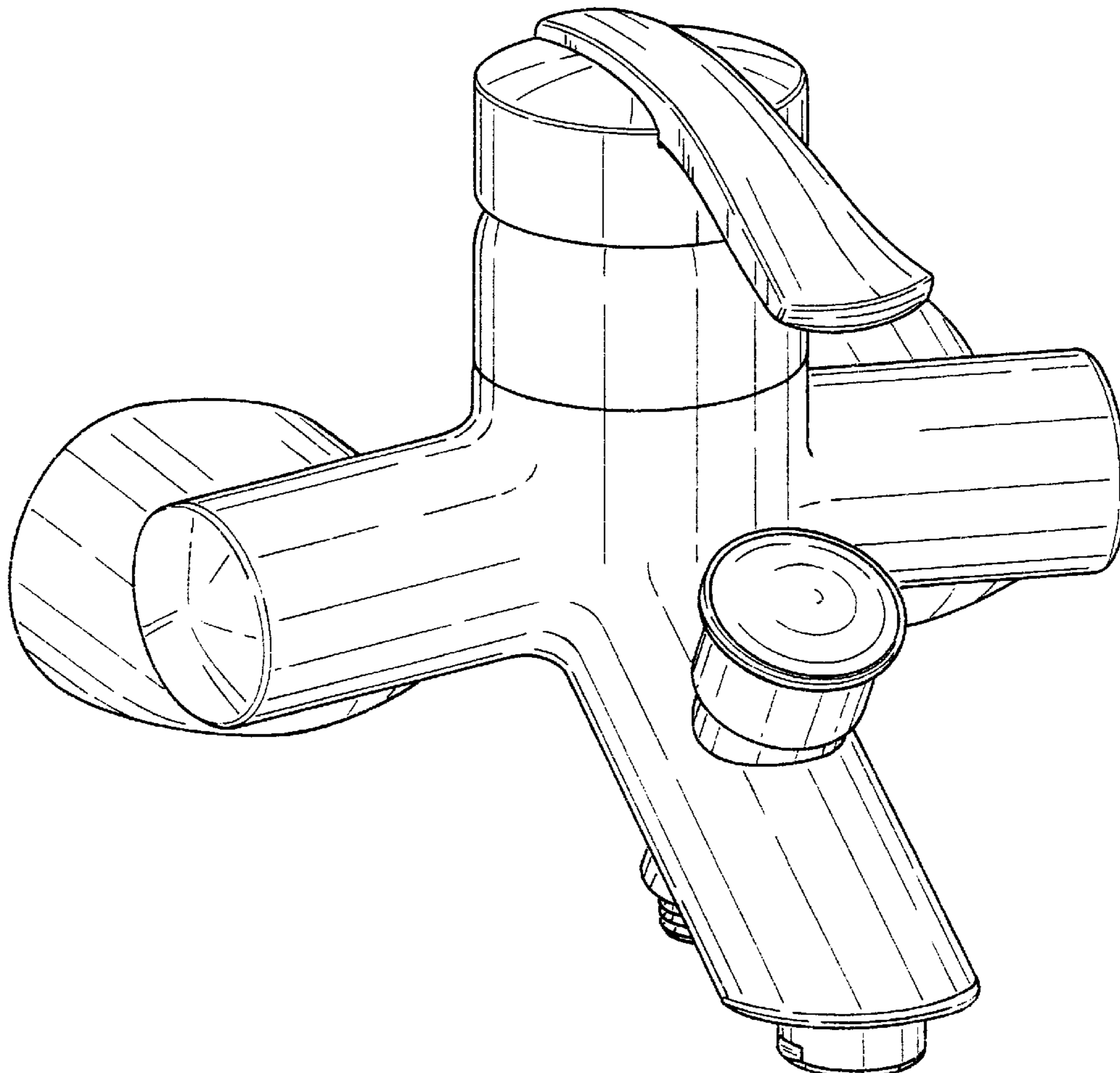
[57] **CLAIM**

The ornamental design for a bathtub faucet, as shown and described.

**DESCRIPTION**

FIG. 1 is a top, front, left-side perspective view of a bathtub faucet showing my new design;  
FIG. 2 is a front elevational view thereof;  
FIG. 3 is a left side-elevational view thereof, the right side being mirror symmetrical thereto;  
FIG. 4 is a rear view thereof;  
FIG. 5 is a top view thereof; and,  
FIG. 6 is a bottom view thereof.

**1 Claim, 6 Drawing Sheets**



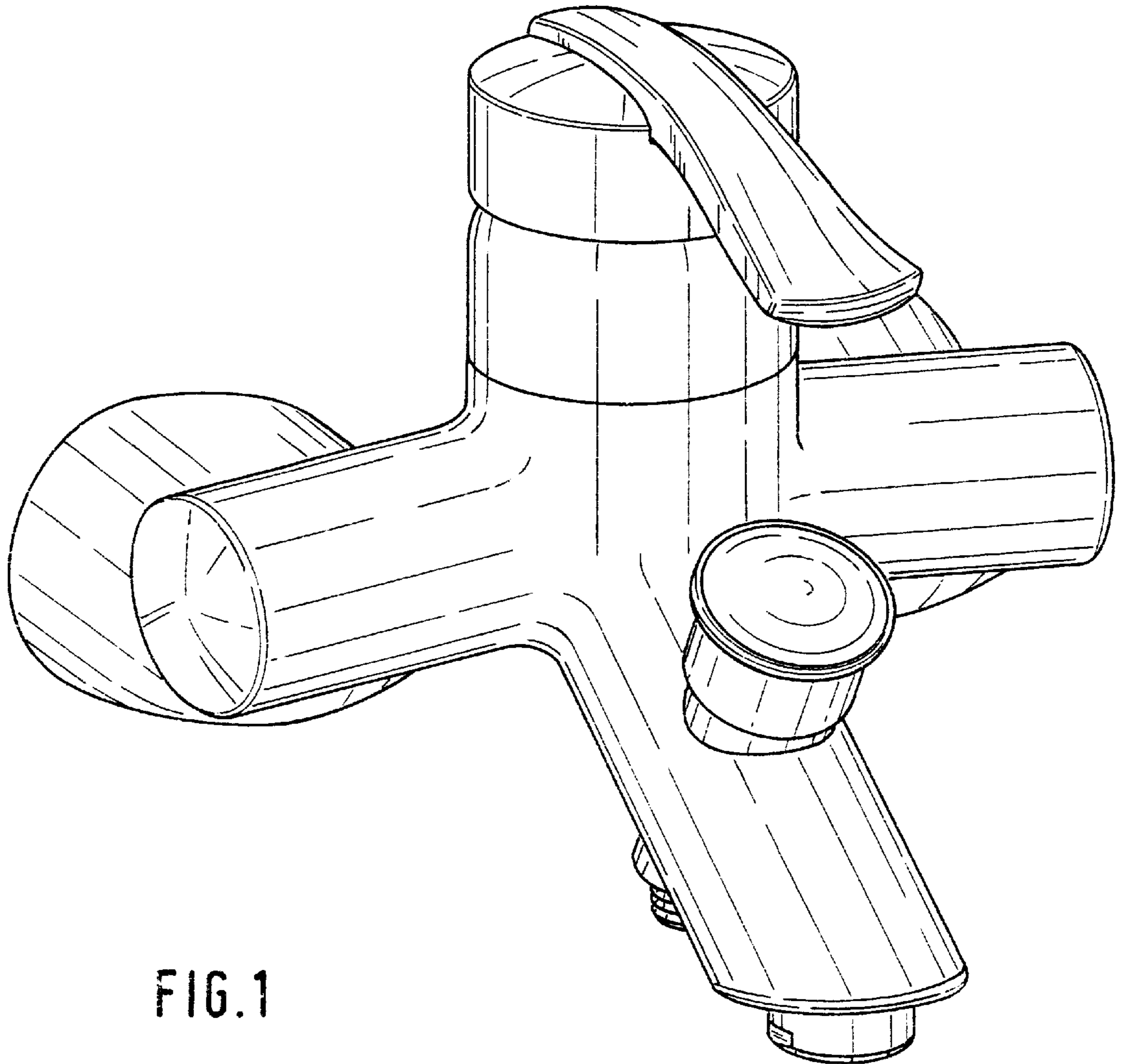


FIG. 1

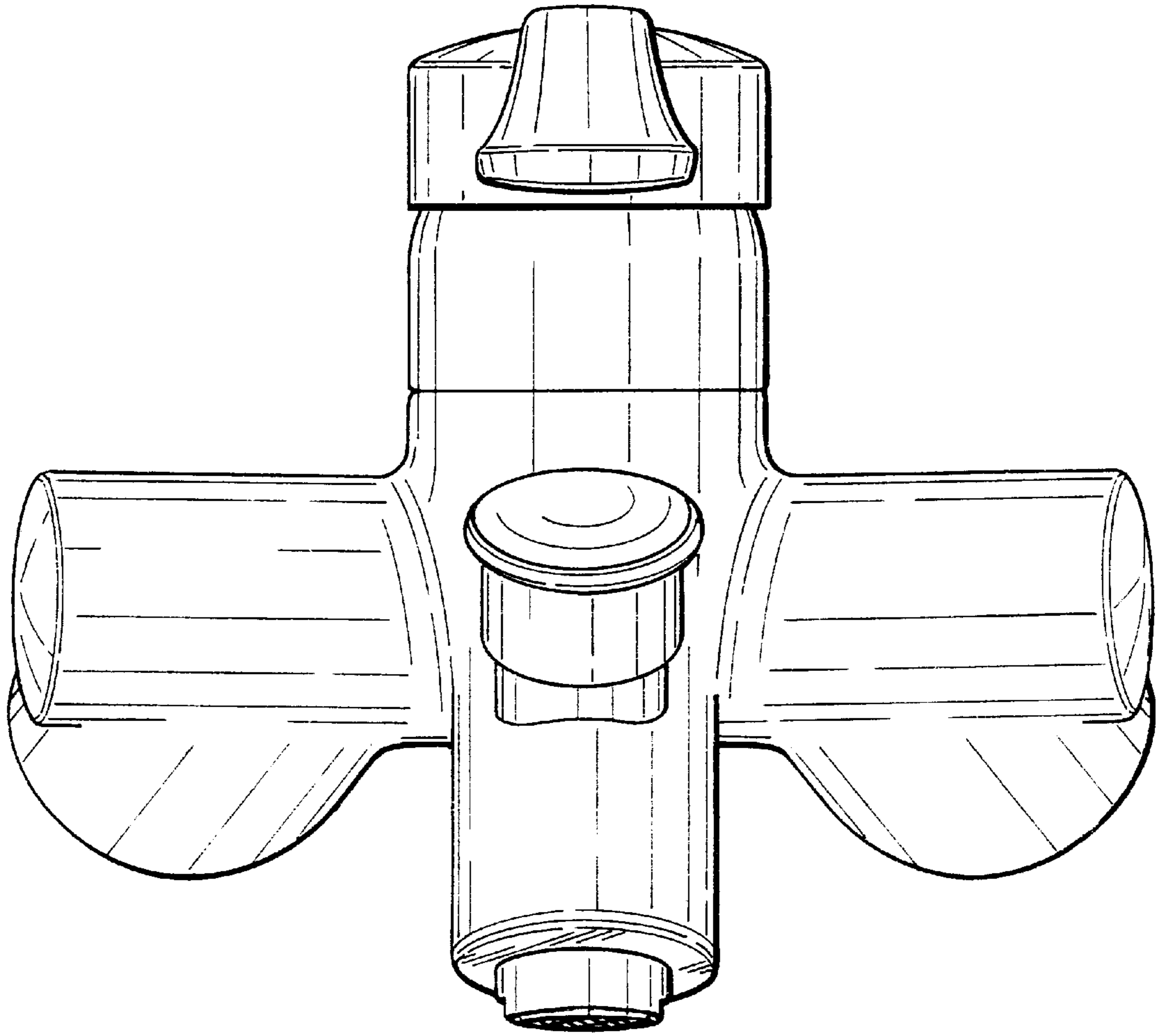


FIG. 2

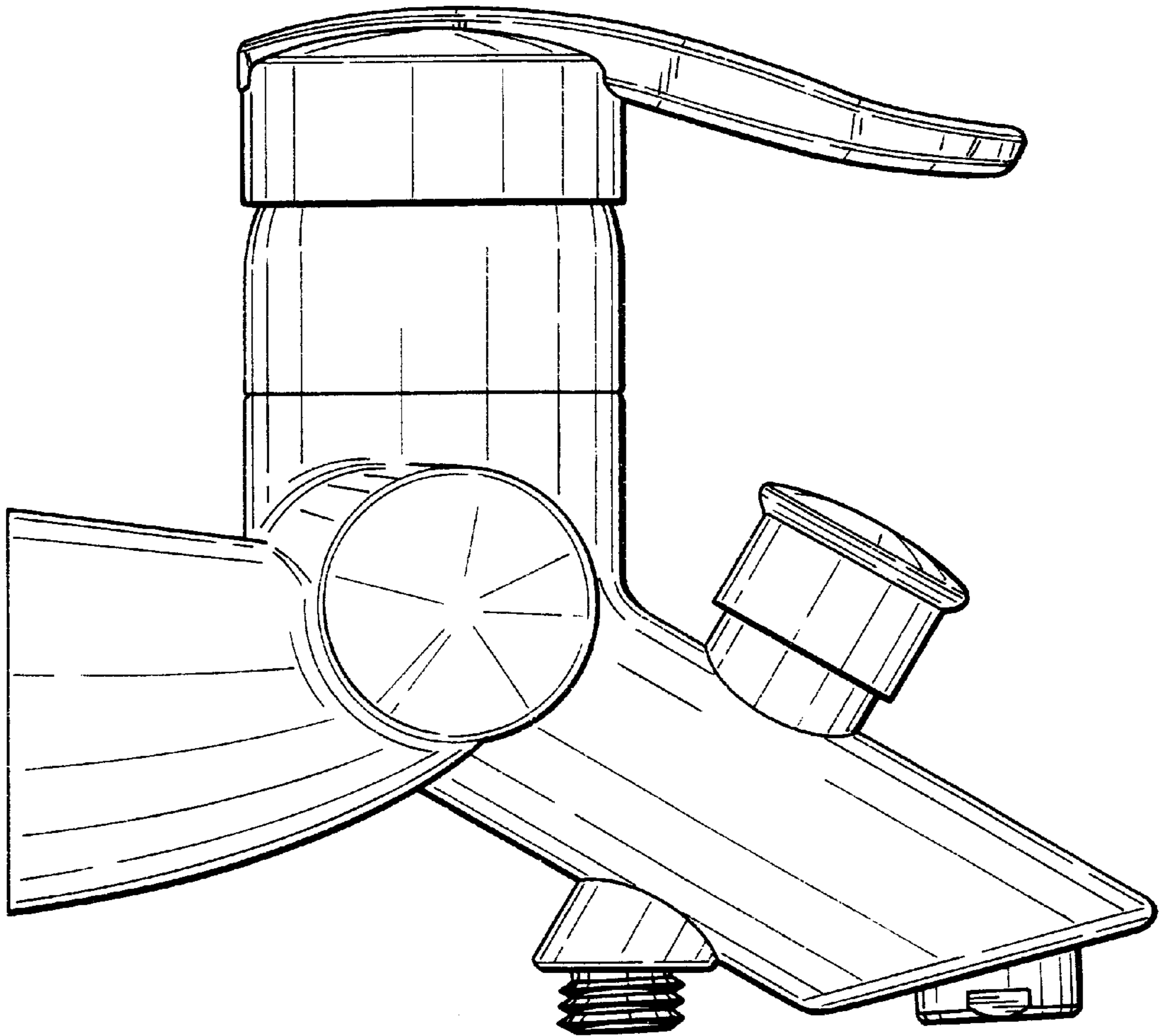


FIG. 3

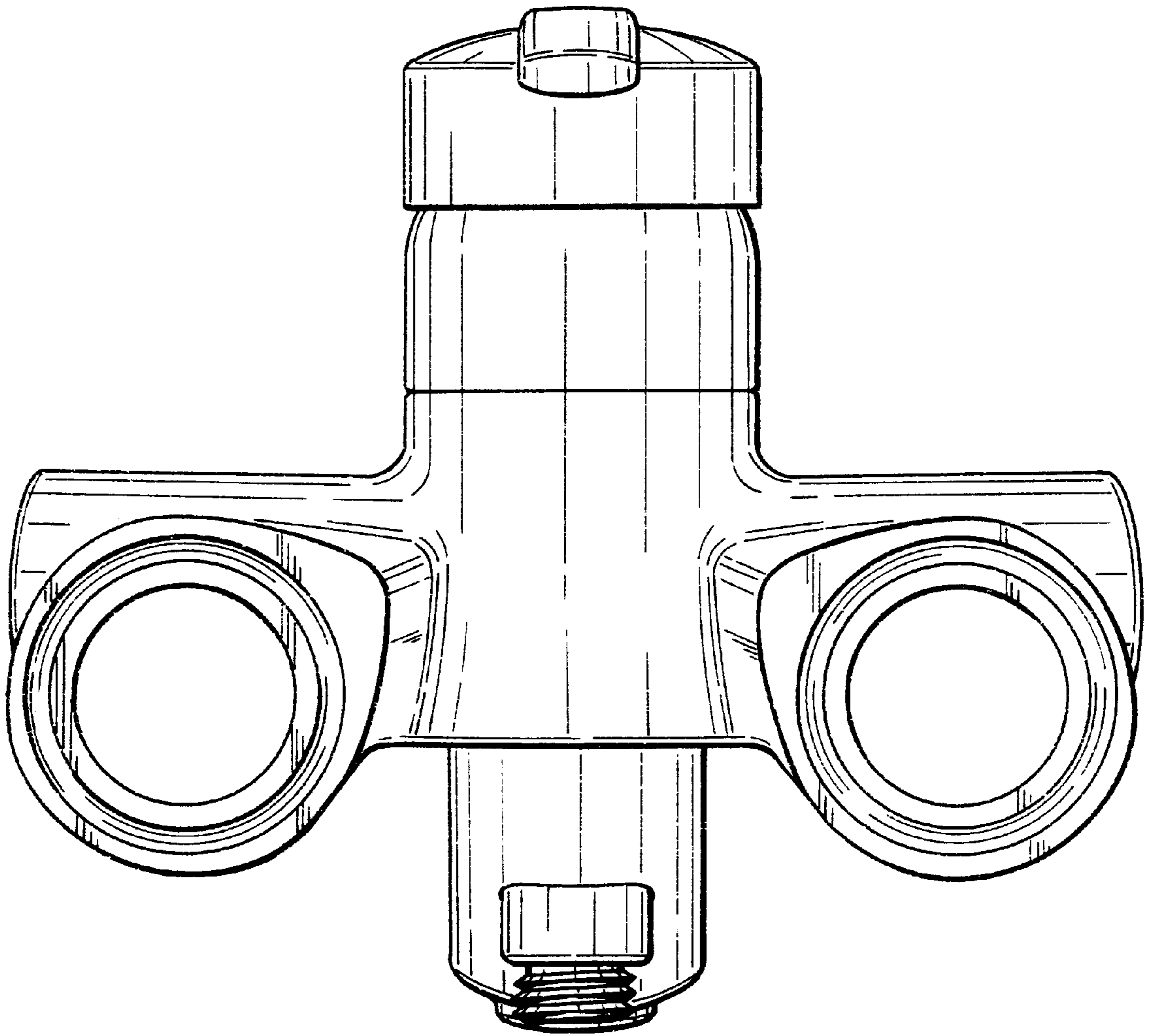


FIG. 4

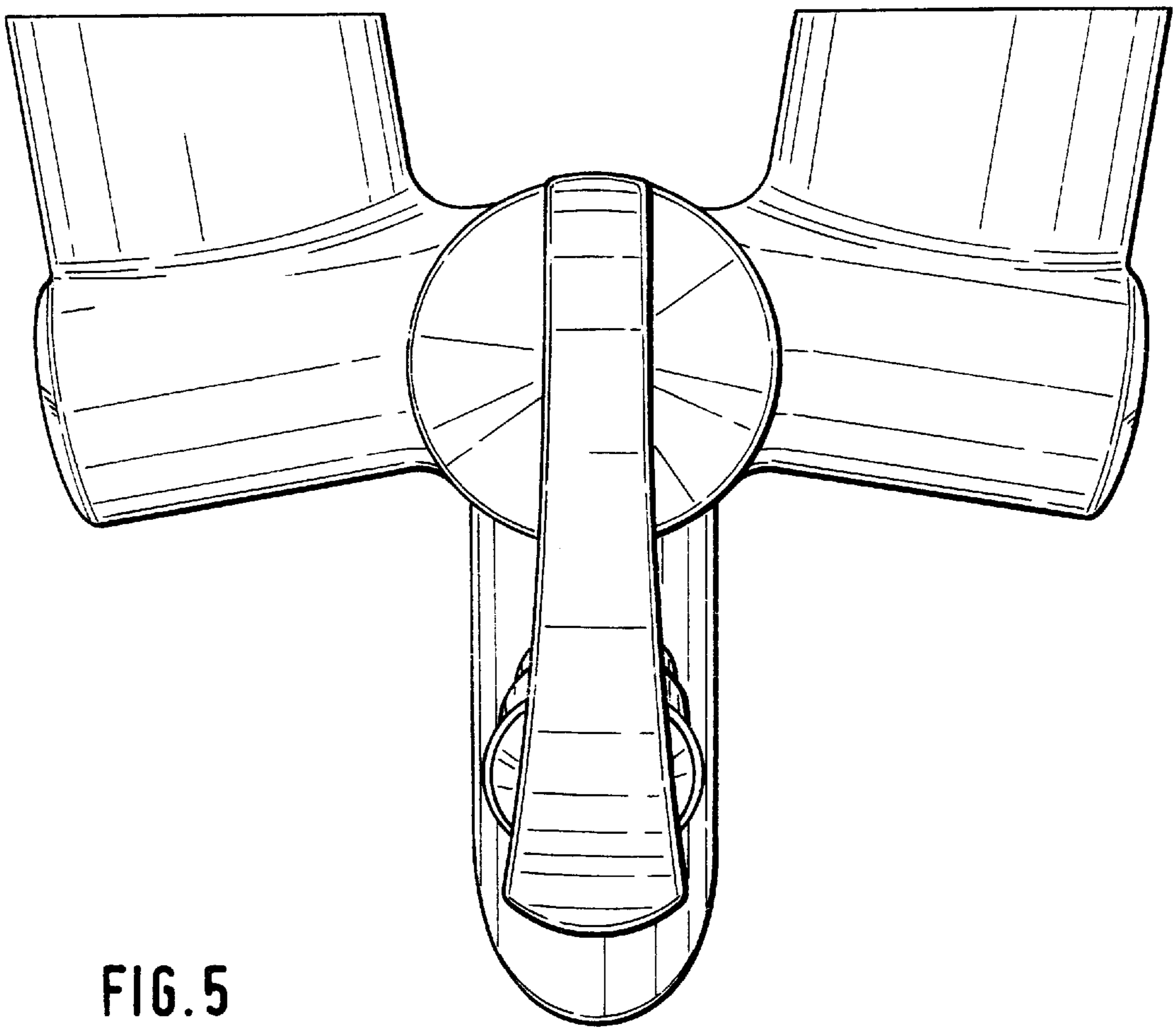


FIG. 5

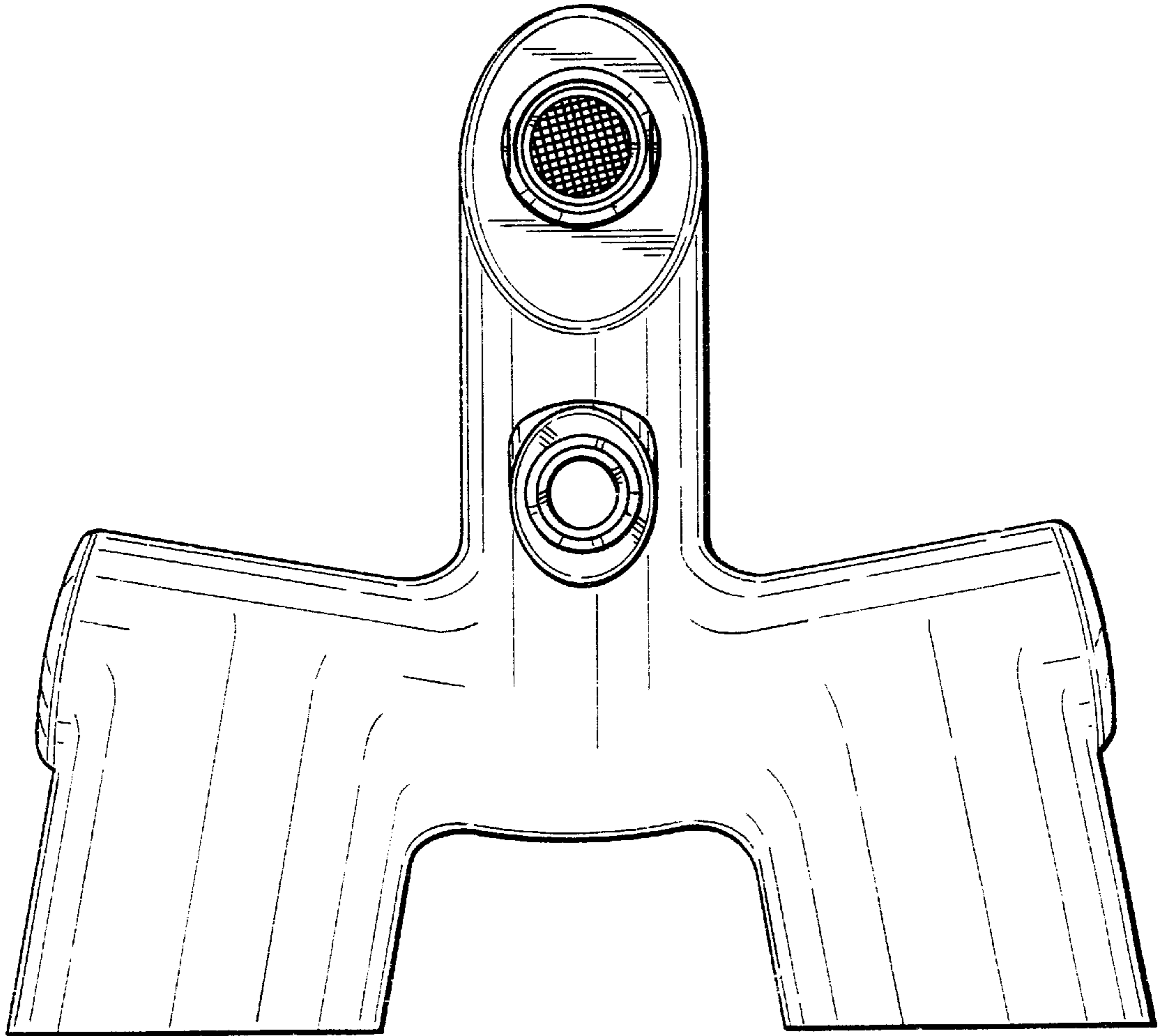


FIG. 6