



US00D423639S

United States Patent [19] Leonard

[11] **Patent Number: Des. 423,639**

[45] **Date of Patent: ** Apr. 25, 2000**

[54] **RIM BLOCK DISPENSING DEVICE**

[75] Inventor: **Stephen B. Leonard**, Caledonia, Wis.

[73] Assignee: **S. C. Johnson & Son, Inc.**, Racine, Wis.

[**] Term: **14 Years**

[21] Appl. No.: **29/097,560**

[22] Filed: **Dec. 9, 1998**

[30] **Foreign Application Priority Data**

Jun. 15, 1998 [GB] United Kingdom 2075366

[51] **LOC (6) Cl.** **23-01**

[52] **U.S. Cl.** **D23/208**

[58] **Field of Search** D23/200, 208, D23/366, 368; 4/231-2, 222-3, 227.1; D9/520

[56] **References Cited**

U.S. PATENT DOCUMENTS

D. 365,138 12/1995 Puri D23/208
2,798,230 7/1957 Febvre et al. 4/222

3,727,840 4/1973 Nigro .
4,228,928 10/1980 Hocker et al. 4/222
4,913,349 4/1990 Locko .
4,995,555 2/1991 Woodruff .
5,551,095 9/1996 Chen 4/227.1

FOREIGN PATENT DOCUMENTS

0 785 315 A1 7/1997 European Pat. Off. .

Primary Examiner—Robin V. Taylor

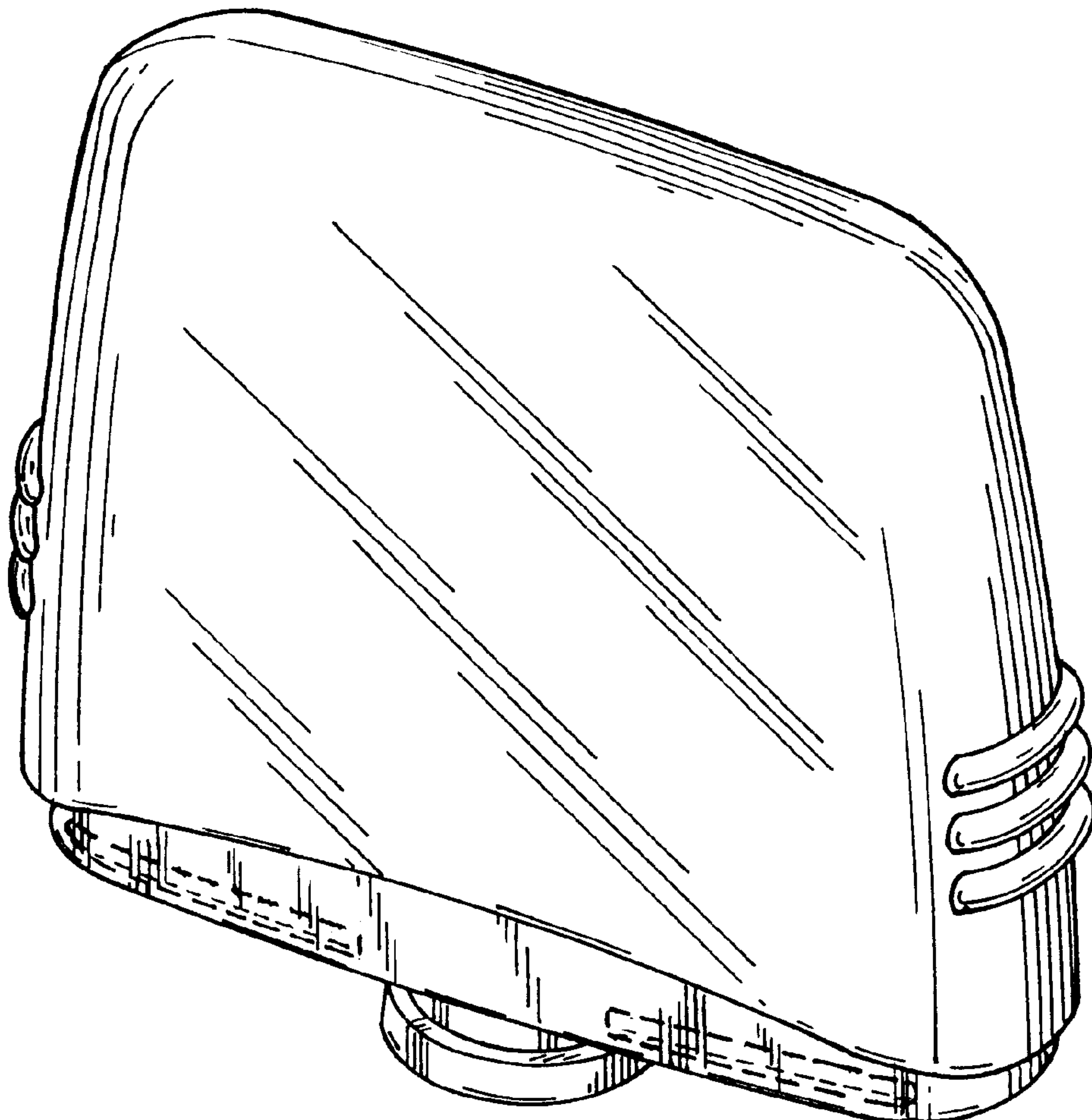
[57] **CLAIM**

The ornamental design of a rim block dispensing device, as shown and described.

DESCRIPTION

FIG. 1 is a front perspective view of the rim block dispensing device showing my new design.
FIG. 2 is a rear perspective view of FIG. 1.
FIG. 3 is a side view of FIG. 1, the other side view being the same; and,
FIG. 4 is a side view of FIG. 1, the other side view being the same.

1 Claim, 2 Drawing Sheets



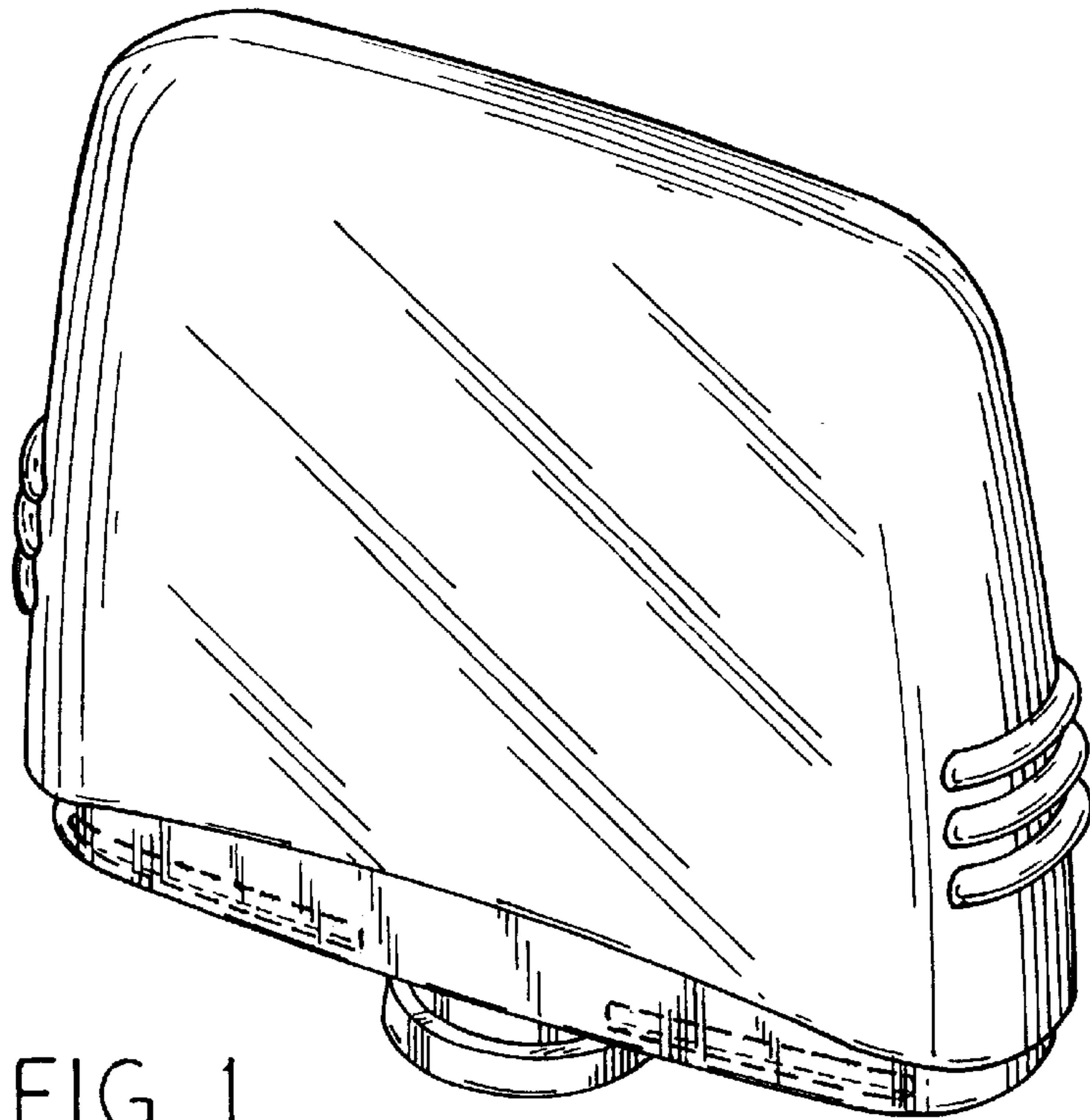


FIG. 1

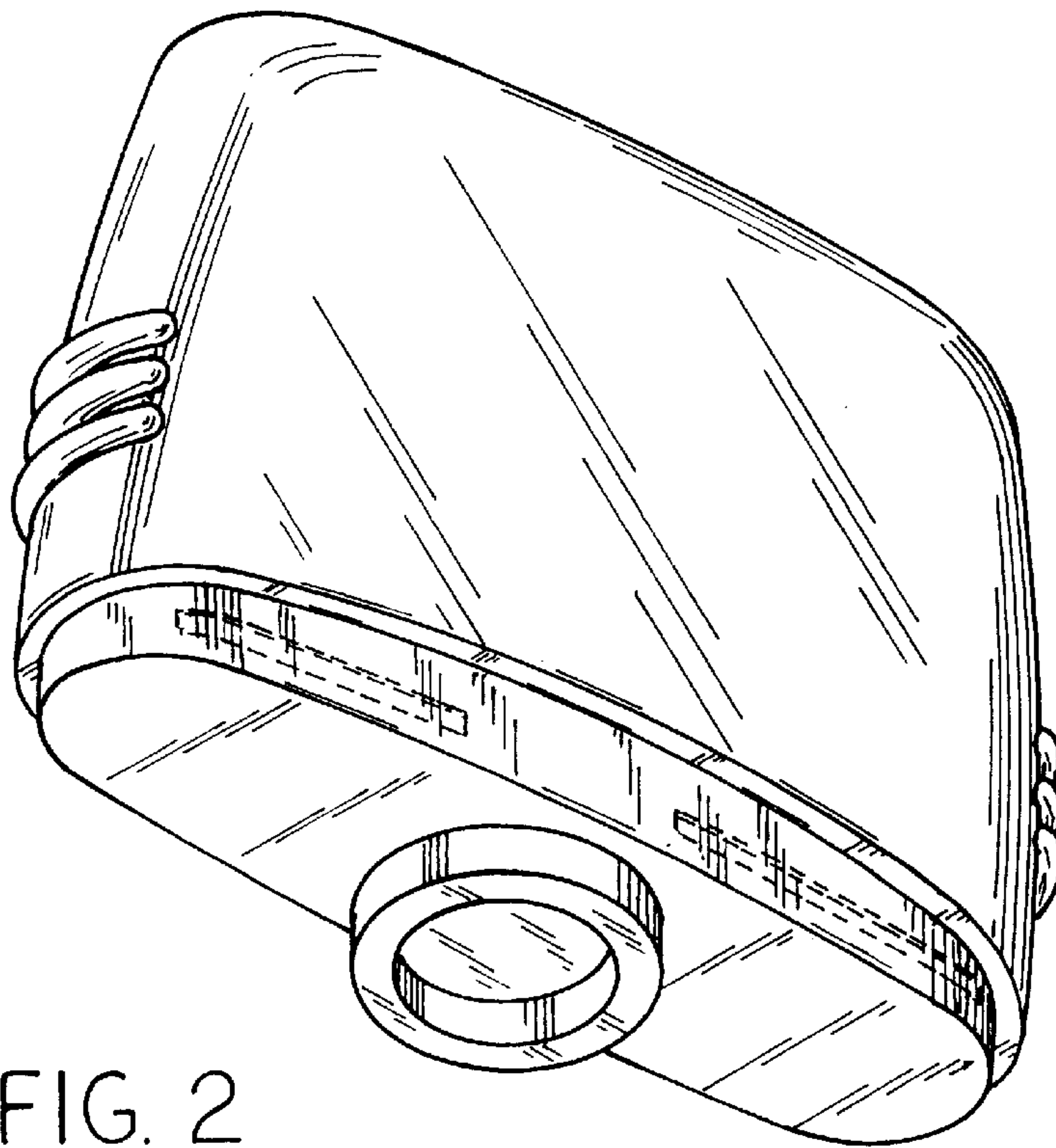


FIG. 2

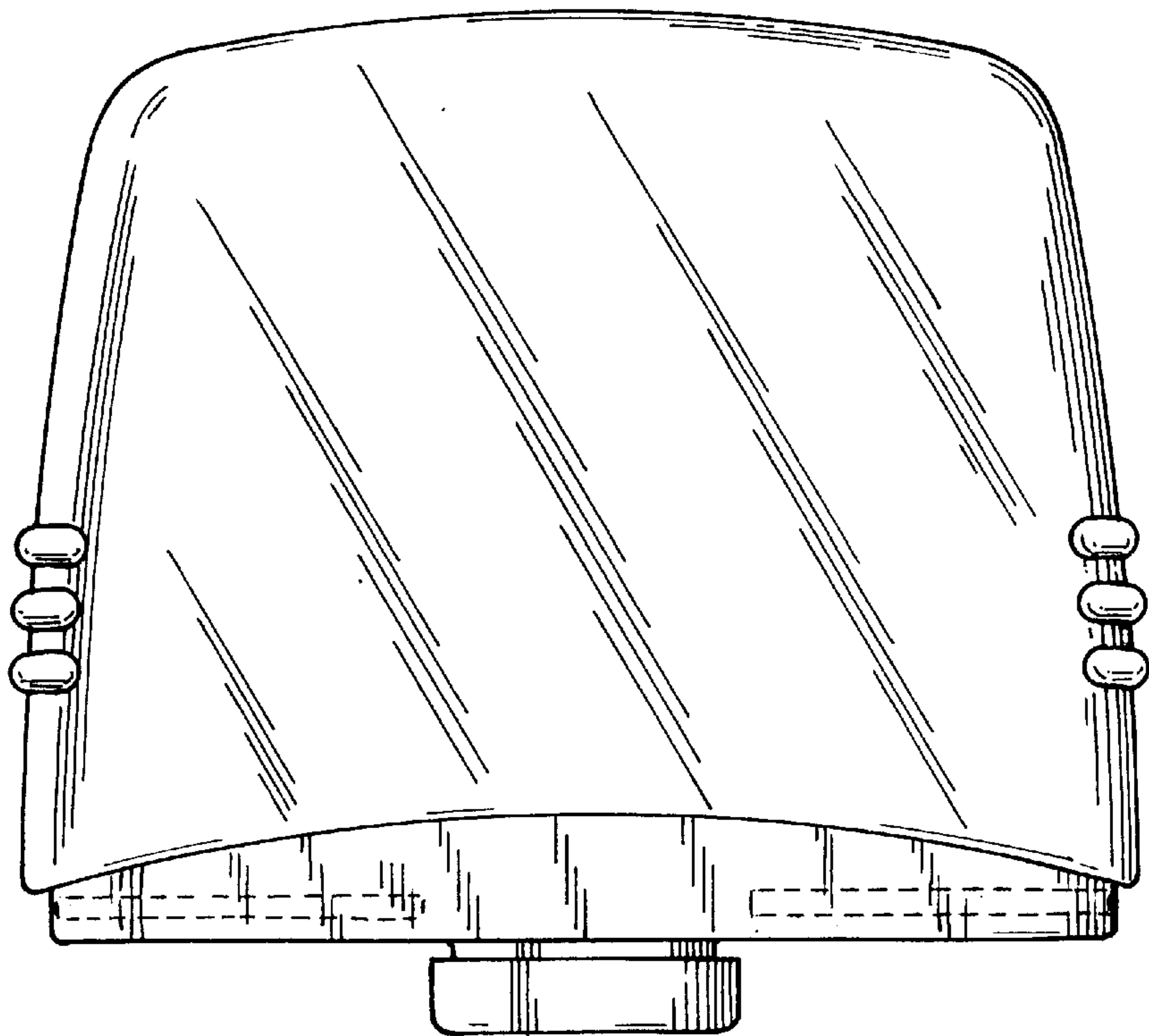


FIG. 3

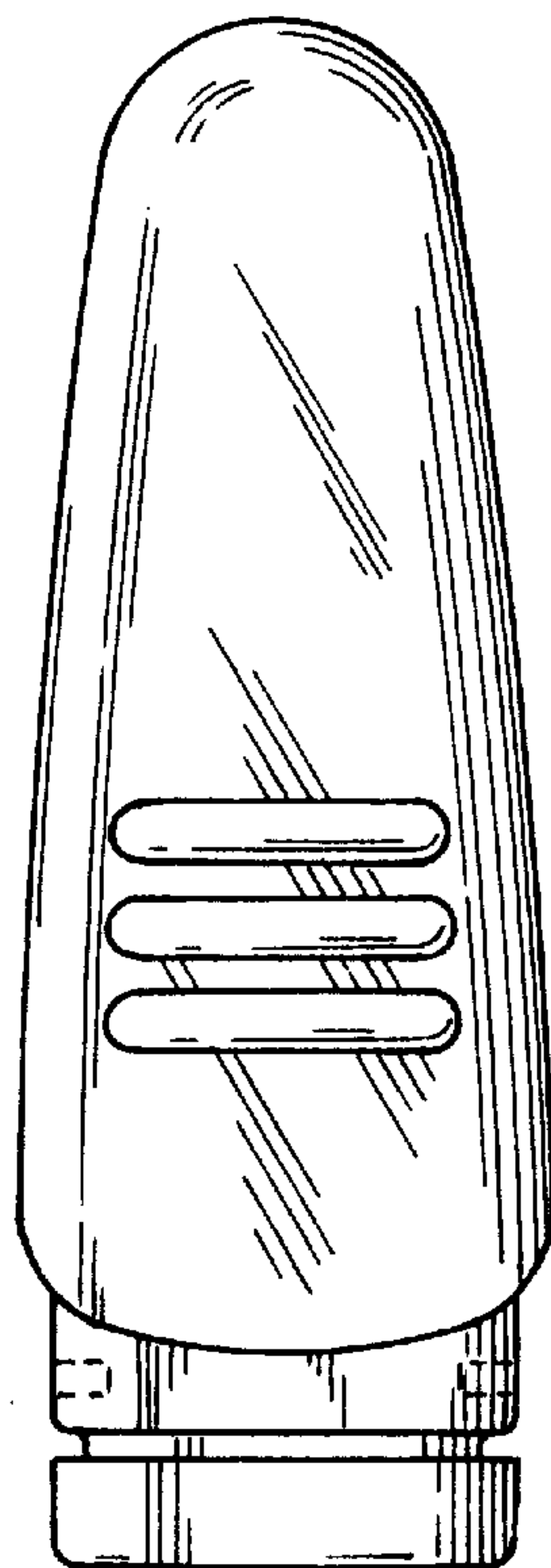


FIG. 4