



US00D423637S

United States Patent [19]

[11] **Patent Number: Des. 423,637**

Matthews

[45] **Date of Patent: ** Apr. 25, 2000**

[54] **AUDIBLE SINKER TO BE AFFIXED TO A FISHING LINE**

5,259,151	11/1993	Wicht	43/42.31
5,349,776	9/1994	Lucas	43/42.39
5,381,622	1/1995	Tregre	43/42.31
5,428,919	7/1995	Enomoto	43/42.31
5,586,405	12/1996	Fike	43/42.31

[76] Inventor: **Chip Matthews**, 9428 Wilcoxon Dr., Manassas Park, Va. 20111

[**] Term: **14 Years**

Primary Examiner—Louis S. Zarfes
Assistant Examiner—Inga-Maria Hyttinen
Attorney, Agent, or Firm—Tom Hamill, Jr.; National Patent Services

[21] Appl. No.: **29/095,423**

[22] Filed: **Oct. 22, 1998**

[57] CLAIM

[51] **LOC (6) Cl.** **22-05**

[52] **U.S. Cl.** **D22/145**

[58] **Field of Search** D22/145, 146, D22/126; 43/44.9, 44.91, 43.1

The ornamental design for an audible sinker to be affixed to a fishing line, as shown and described.

DESCRIPTION

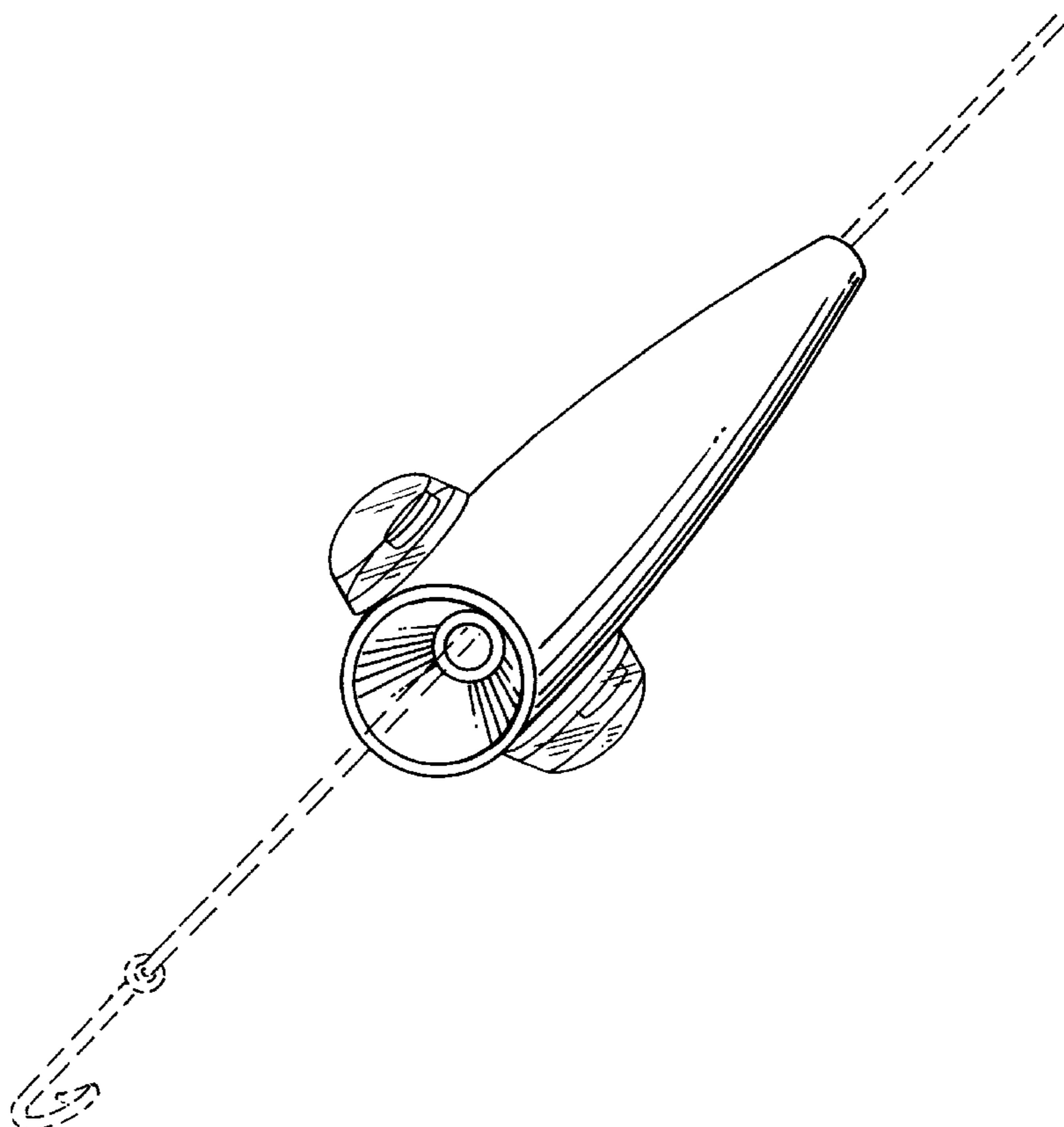
[56] References Cited

U.S. PATENT DOCUMENTS

D. 151,481	10/1948	Williamowicz	D22/126
2,103,222	12/1937	Nelson	43/43.1
2,605,576	8/1952	Young, Jr. et al.	D22/145
2,741,864	4/1956	Shotton	
3,908,298	9/1975	Strader	43/42.05
4,008,539	2/1977	Gardner	43/42.31
4,045,903	9/1977	Parker	43/42.11
4,615,136	10/1986	Bank	43/44.91
4,785,569	11/1988	Thomas, Jr.	43/42.31
4,803,798	2/1989	Hannah	43/44.91
5,144,765	9/1992	Keeton	43/42.36
5,157,860	10/1992	Clark	43/44.9

FIG. 1 is a perspective view of the audible sinker to be affixed to a fishing line showing my new design thereof, FIG. 2 is a front side view thereof, FIG. 3 is a back side view thereof, FIG. 4 is a left side view thereof, FIG. 5 is a right side view thereof, FIG. 6 is a top side view thereof, FIG. 7 is a bottom side view thereof; and, FIG. 8 is an environmental perspective view thereof, the broken line showing the fishing line and the hook is for illustrative purposes only and forms no part of the claimed design.

1 Claim, 3 Drawing Sheets



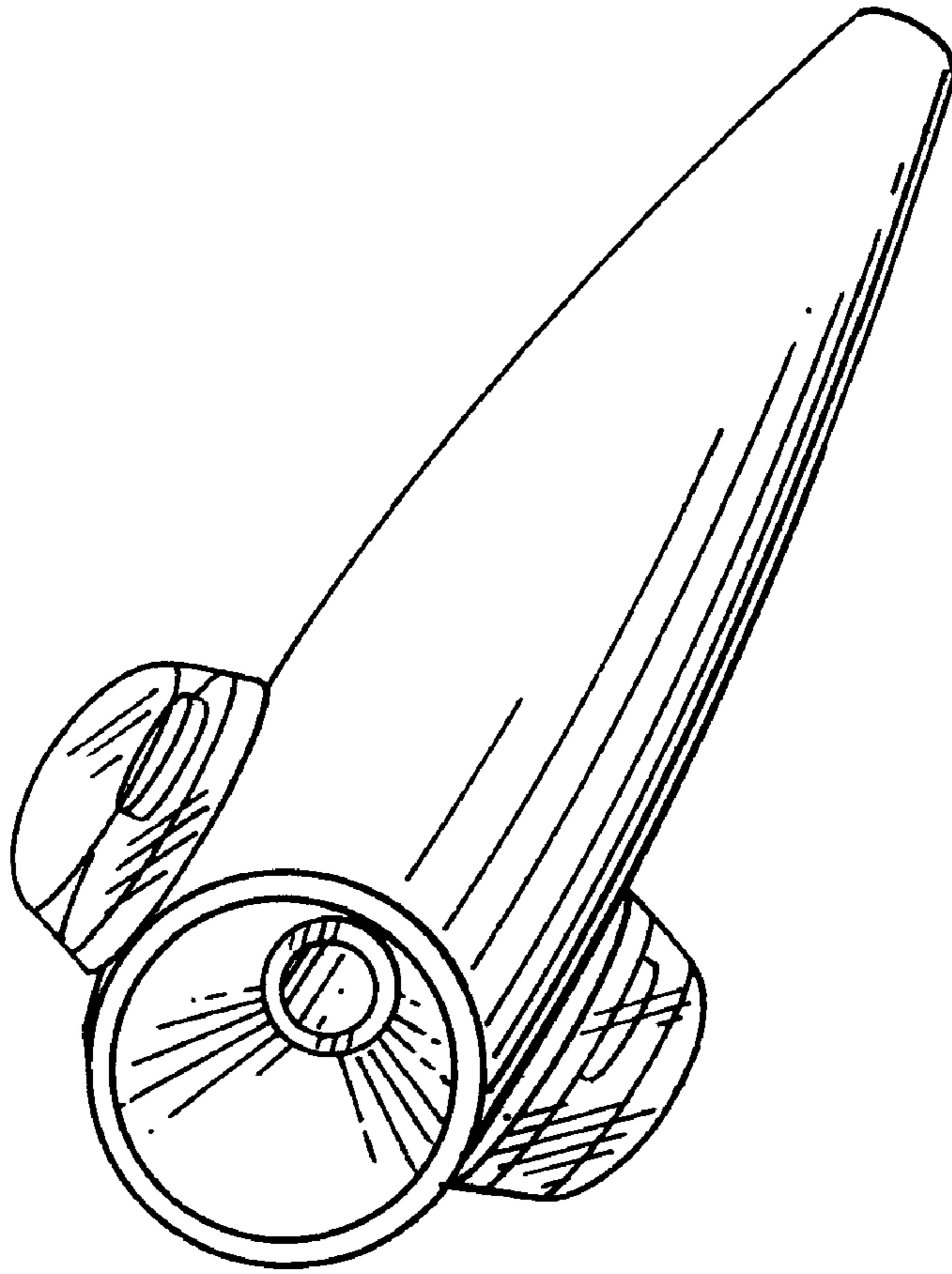


FIG. 1

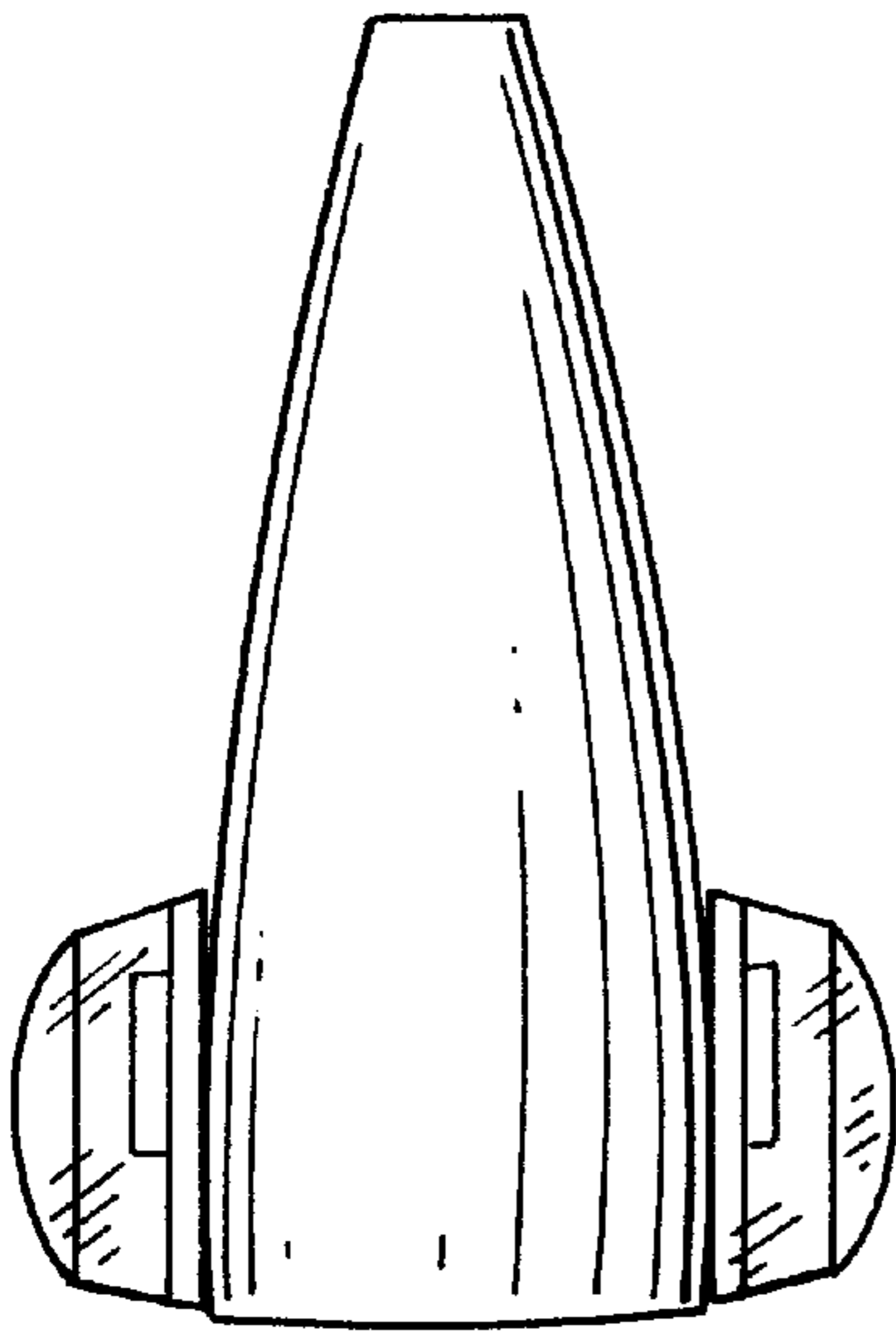


FIG. 2

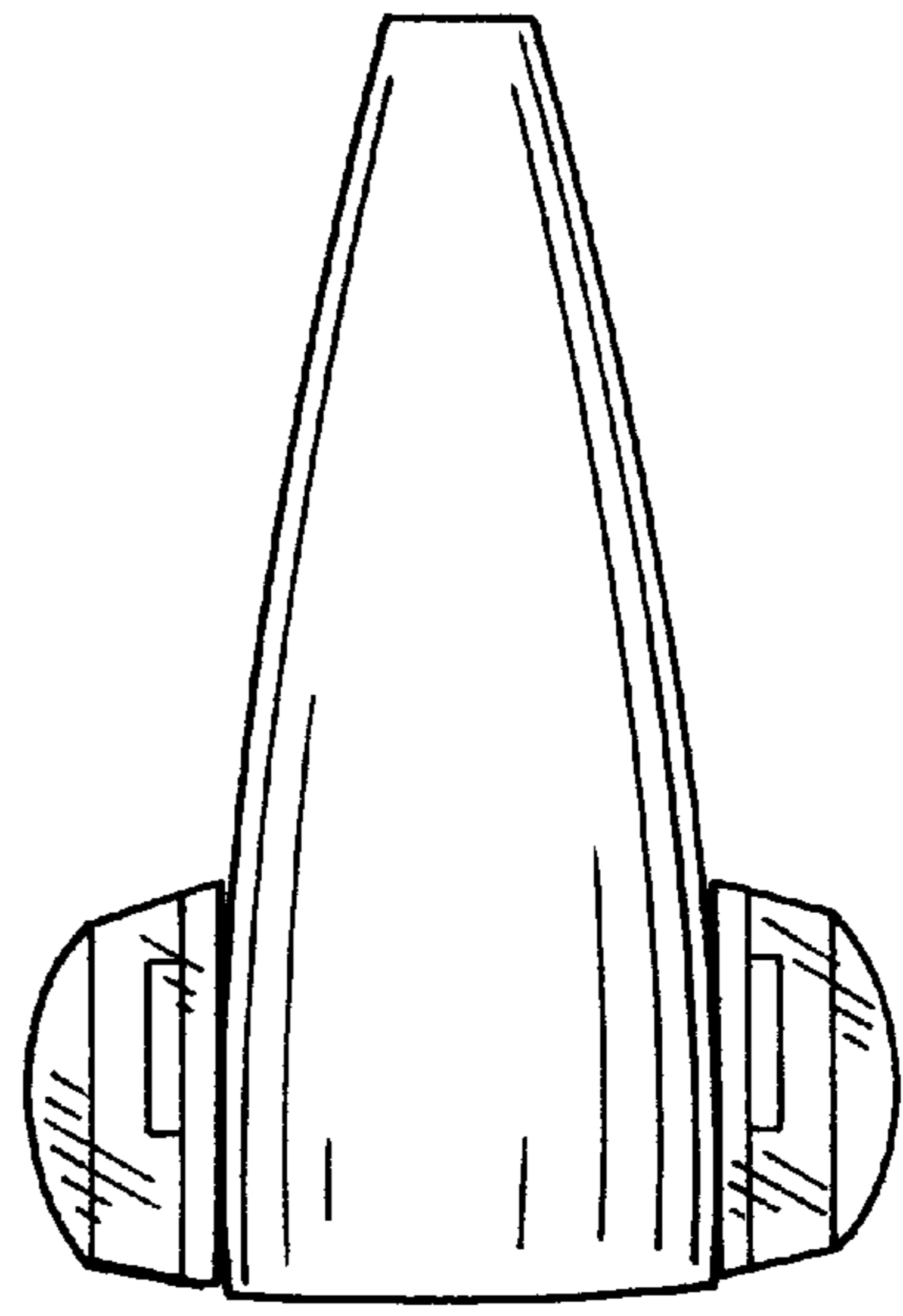


FIG. 3

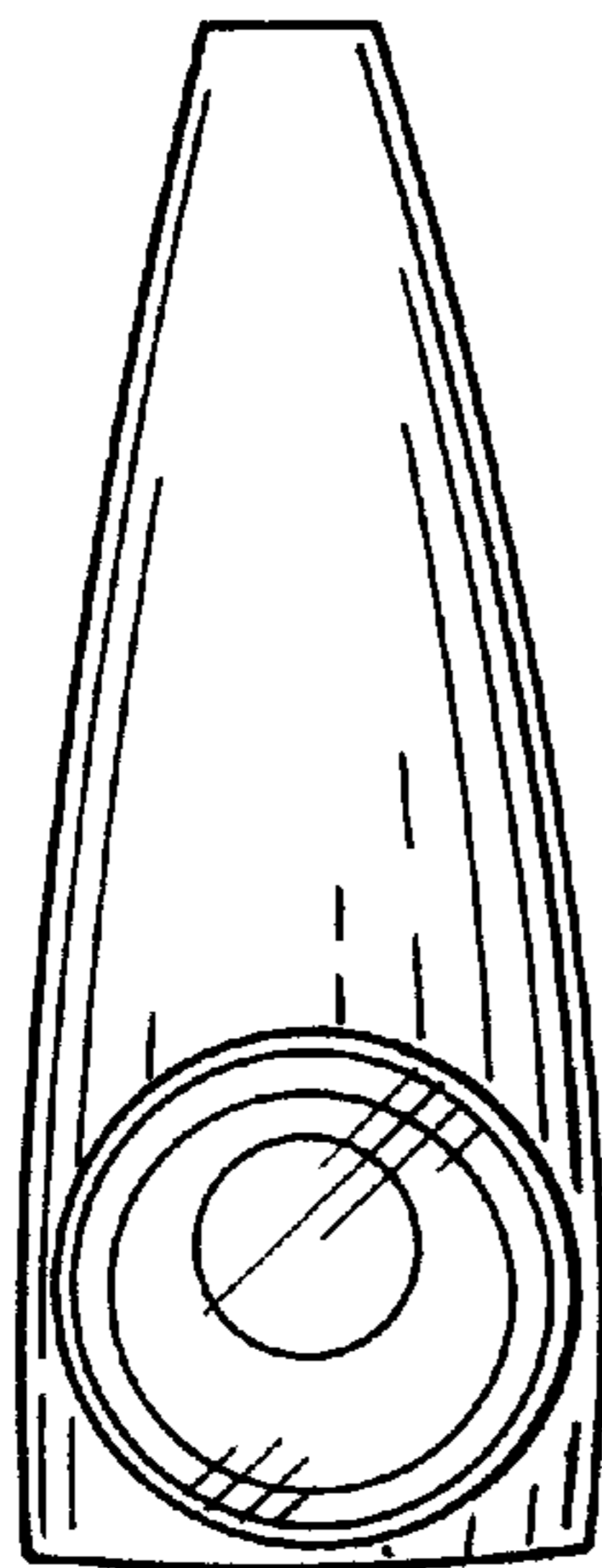


FIG. 4

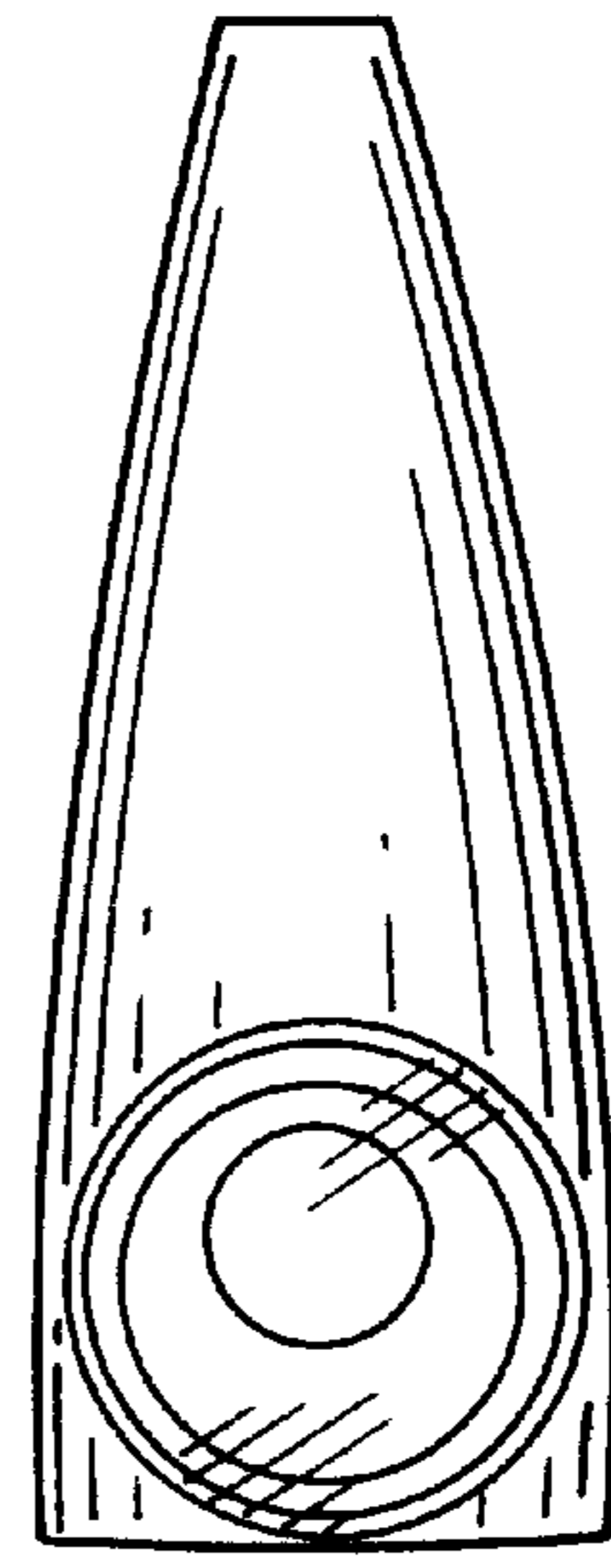


FIG. 5

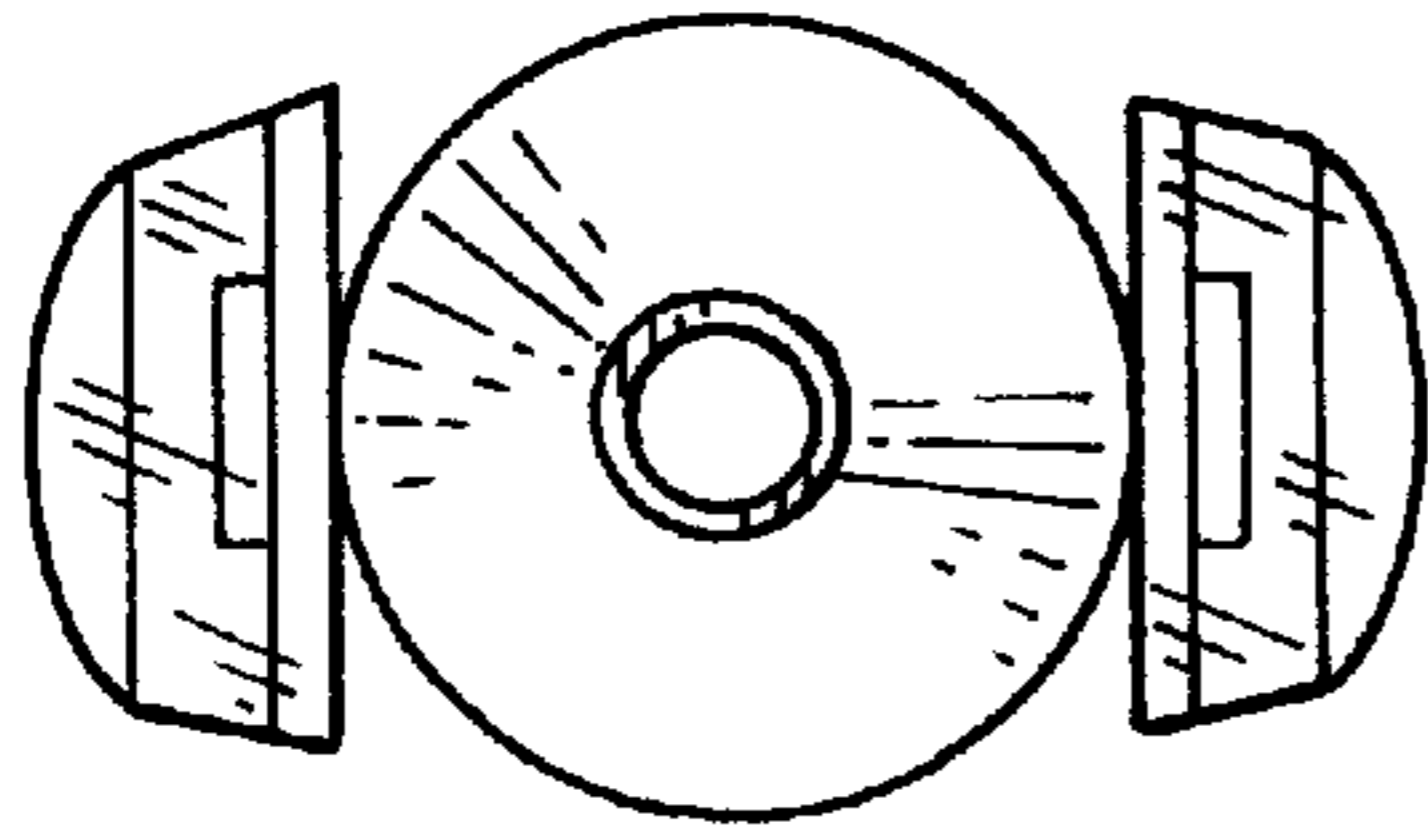


FIG. 6

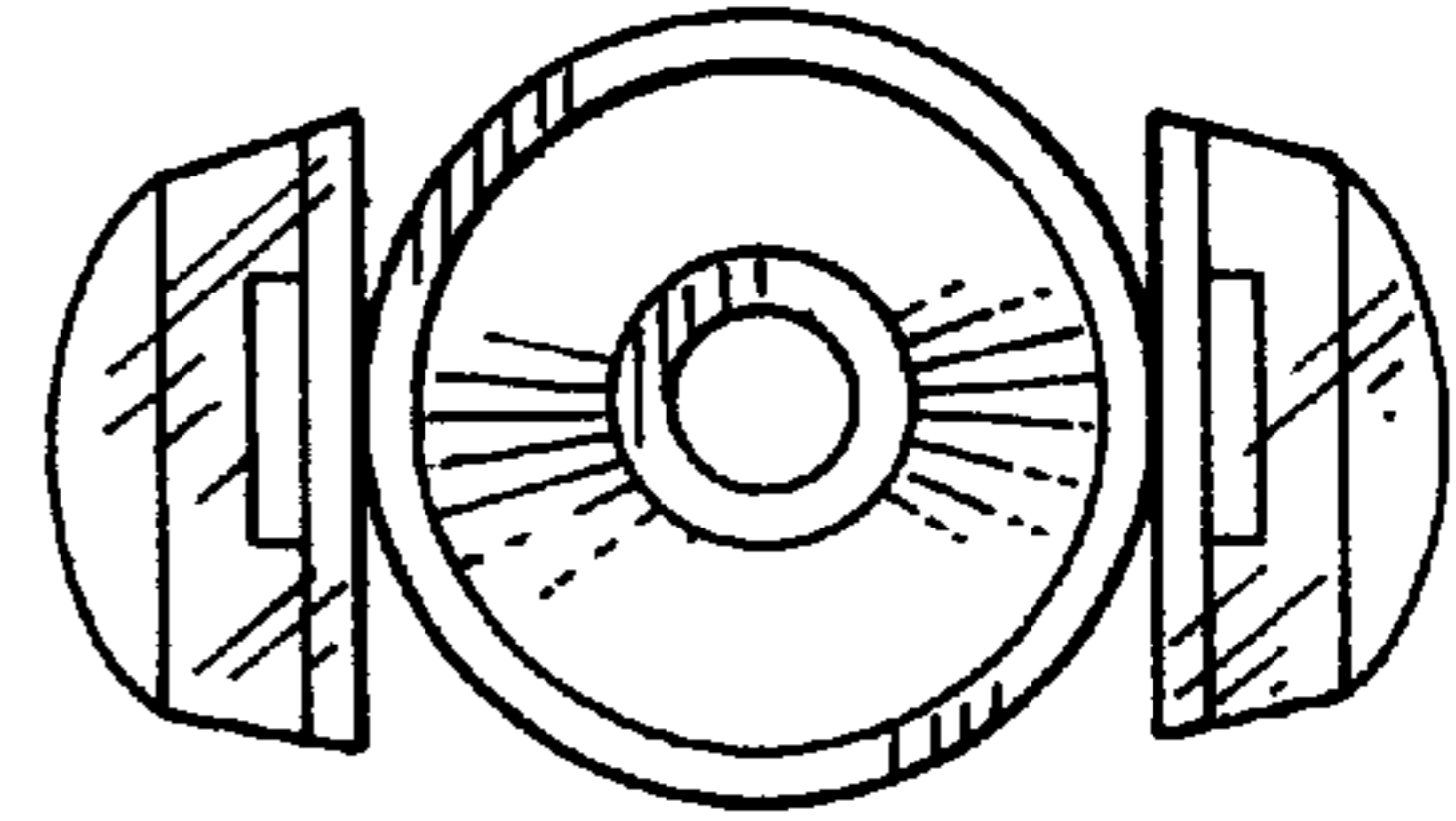


FIG. 7

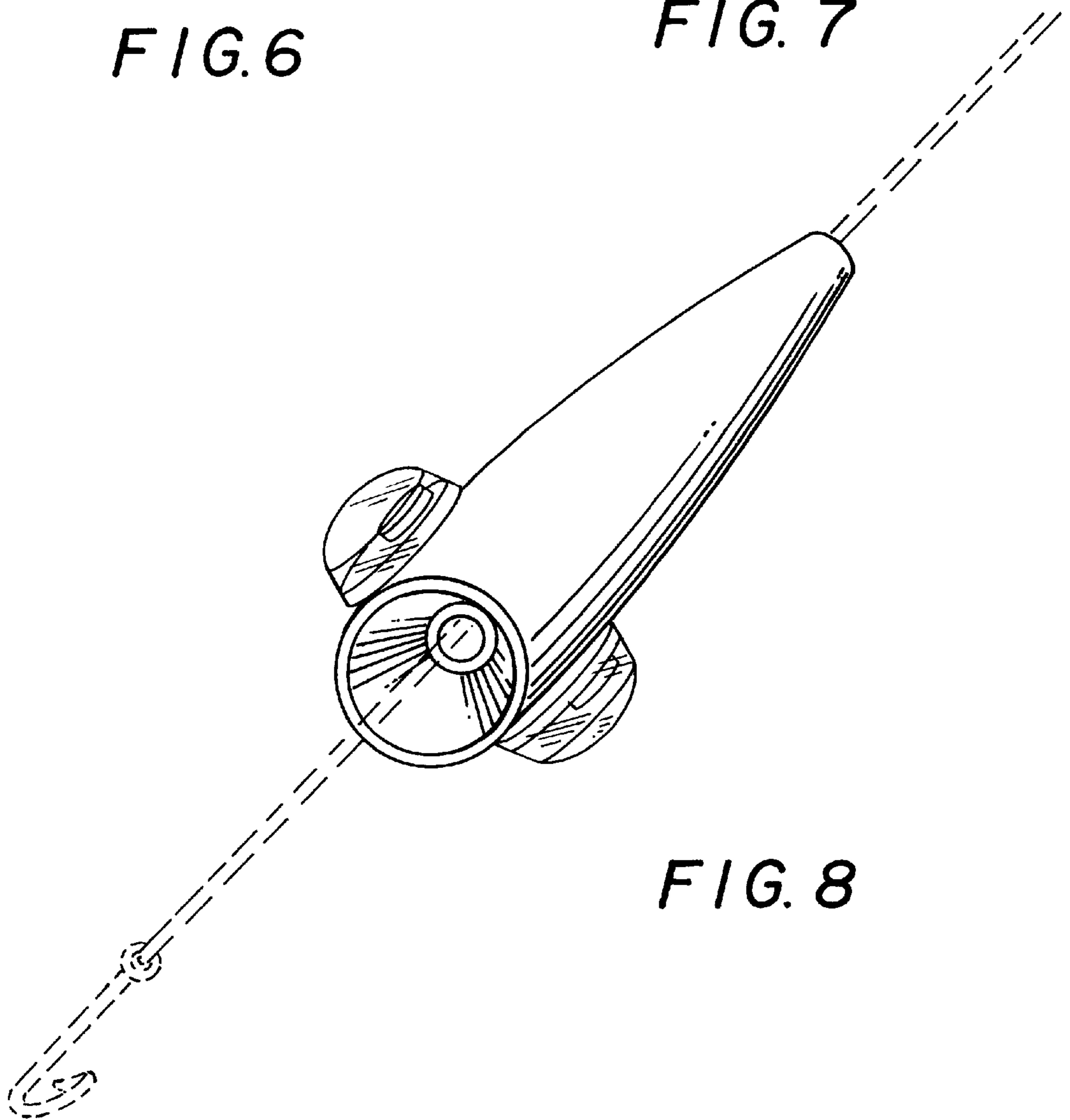


FIG. 8