



US00D423635S

United States Patent [19] Robbins

[11] Patent Number: Des. 423,635

[45] Date of Patent: ** Apr. 25, 2000

[54] FISHING REEL

[75] Inventor: Jack Robbins, Derby, Kans.

[73] Assignee: Brunswick Corporation, Lake Forest, Ill.

[**] Term: 14 Years

[21] Appl. No.: 29/108,869

[22] Filed: Aug. 5, 1999

[51] LOC (6) Cl. 21-02

[52] U.S. Cl. D22/141

[58] Field of Search D22/137, 141;
242/370, 223, 224, 234, 311, 322

| | | | |
|------------|---------|-----------------------|---------|
| D. 327,112 | 6/1992 | Myojo | D22/141 |
| 5,476,230 | 12/1995 | Yamaguchi | 242/311 |
| 5,607,116 | 3/1997 | Yamaguchi et al. | 242/311 |
| 5,924,639 | 7/1999 | Atherton | 242/322 |

Primary Examiner—Louis S. Zarfaz
Assistant Examiner—Inga-Maria Hyttinen
Attorney, Agent, or Firm—Wood, Phillips, VanSanten, Clark & Mortimer

[57] CLAIM

The ornamental design for a fishing reel, shown and described.

DESCRIPTION

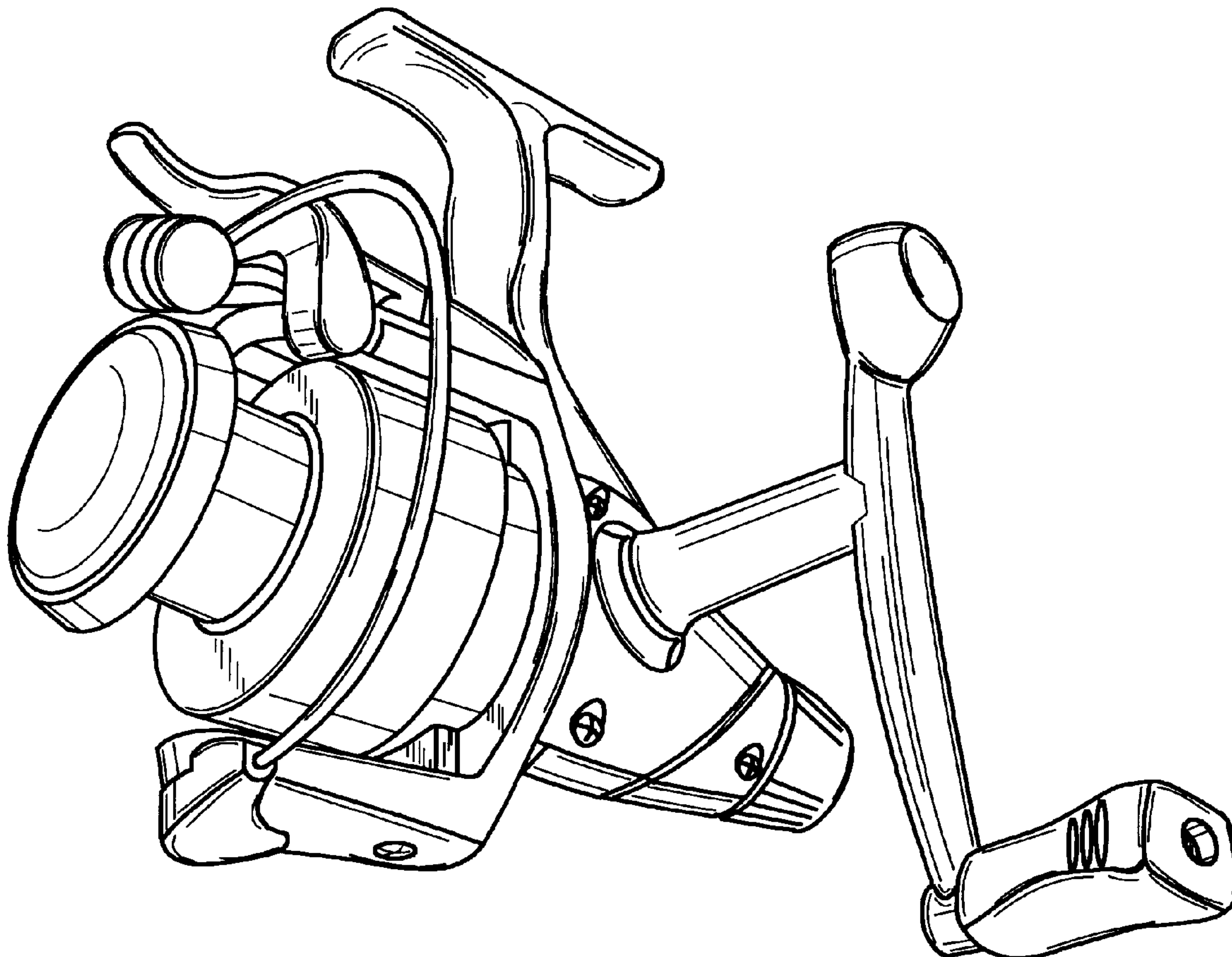
FIG. 1 is a bottom, front and left side perspective view of a fishing reel showing my new design; FIG. 2 is a left side elevation view thereof; FIG. 3 is a right side elevation view thereof; FIG. 4 is a front elevation view thereof; FIG. 5 is a rear elevation view thereof; FIG. 6 is a bottom view thereof; and, FIG. 7 is a top view thereof.

[56] References Cited

U.S. PATENT DOCUMENTS

| | | | |
|------------|---------|----------------------|---------|
| D. 254,091 | 1/1980 | Jansson et al. | D22/141 |
| D. 270,933 | 10/1983 | Inuma et al. | D22/141 |
| D. 281,189 | 10/1985 | Hiraishi et al. | D22/141 |
| D. 281,346 | 11/1985 | Inuma et al. | D22/141 |
| D. 294,622 | 3/1988 | Myojo | D22/141 |
| D. 324,719 | 3/1992 | Shiozaki et al. | D22/141 |

1 Claim, 4 Drawing Sheets



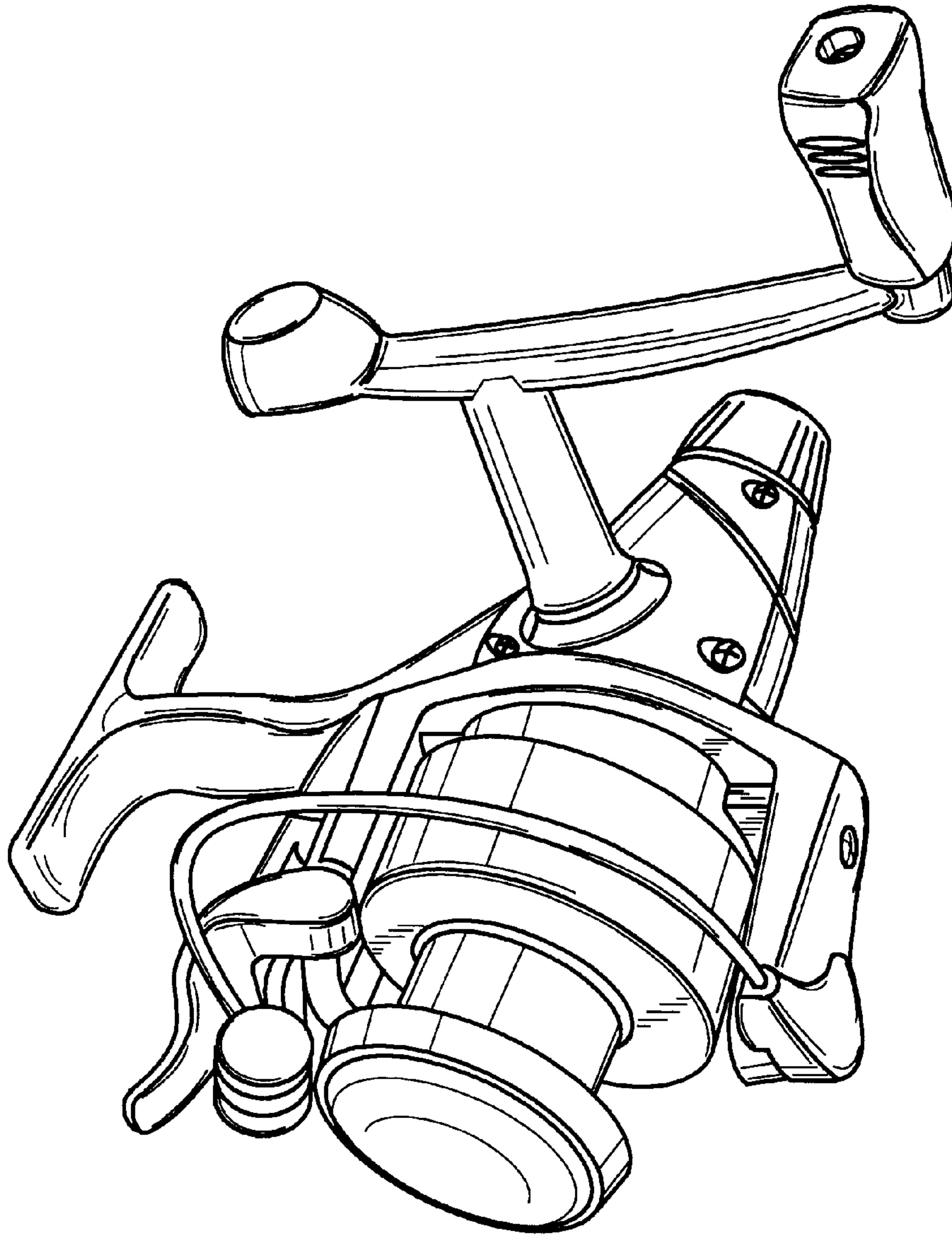


Fig. 1

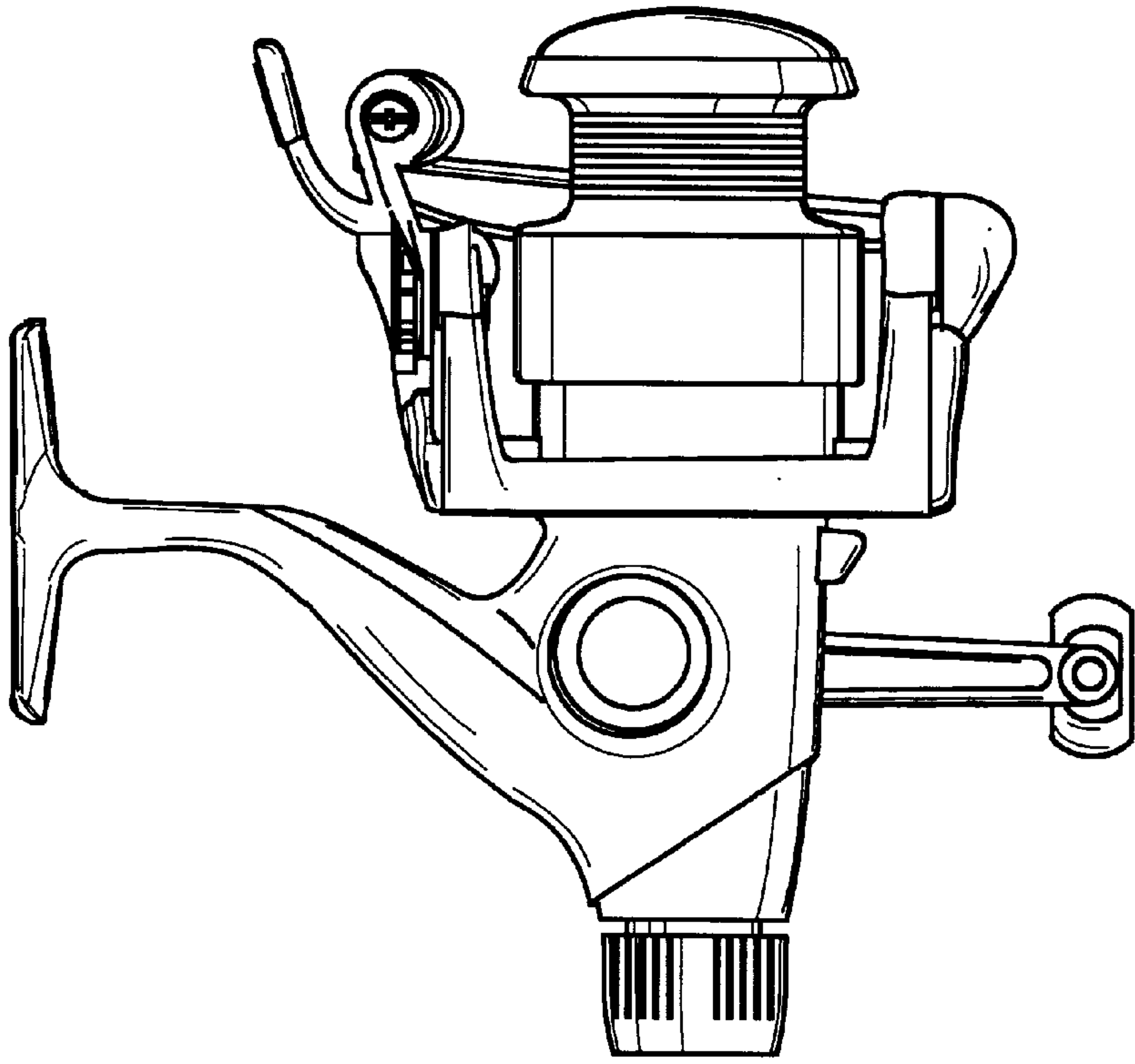


Fig. 3

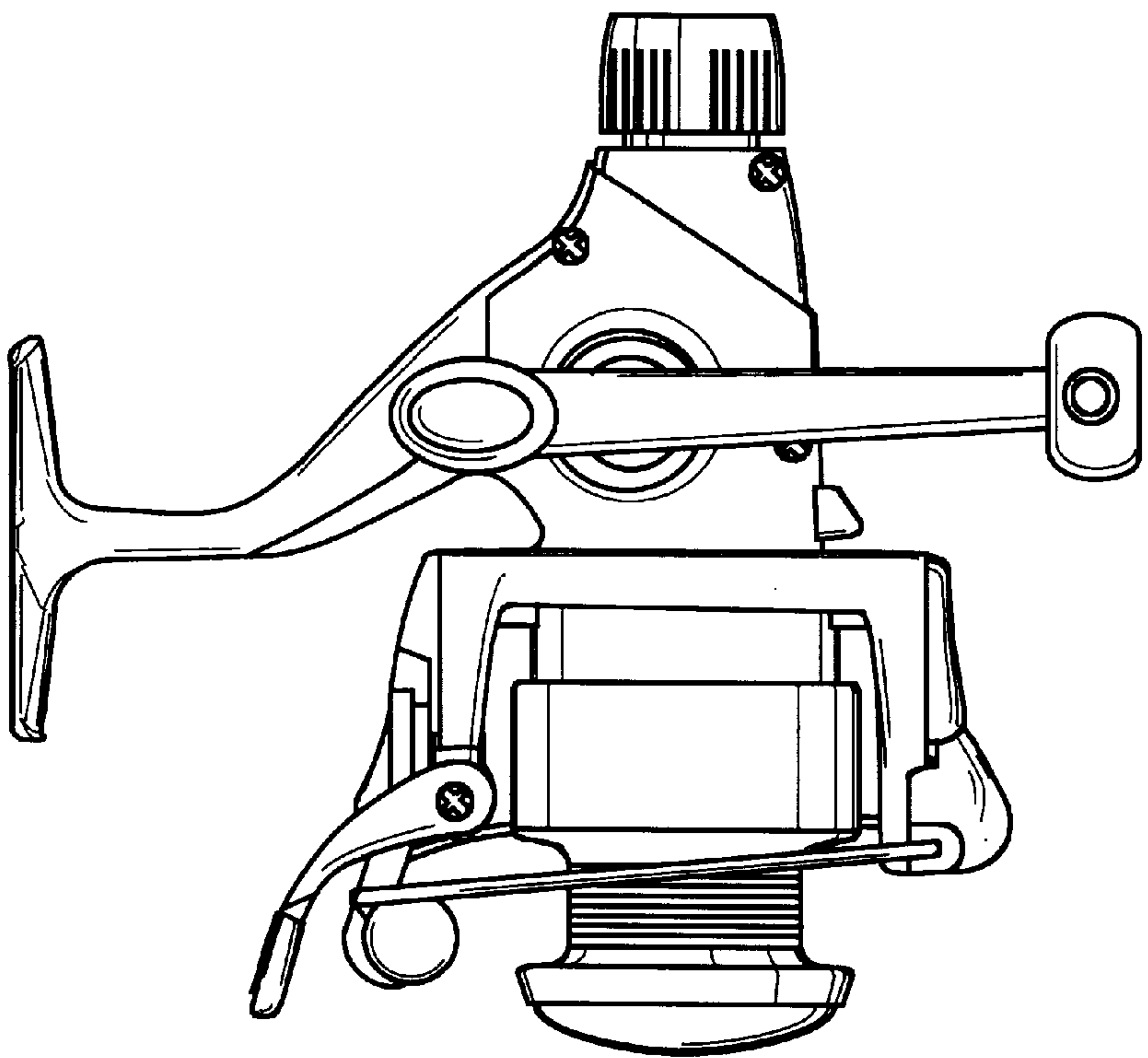


Fig. 2

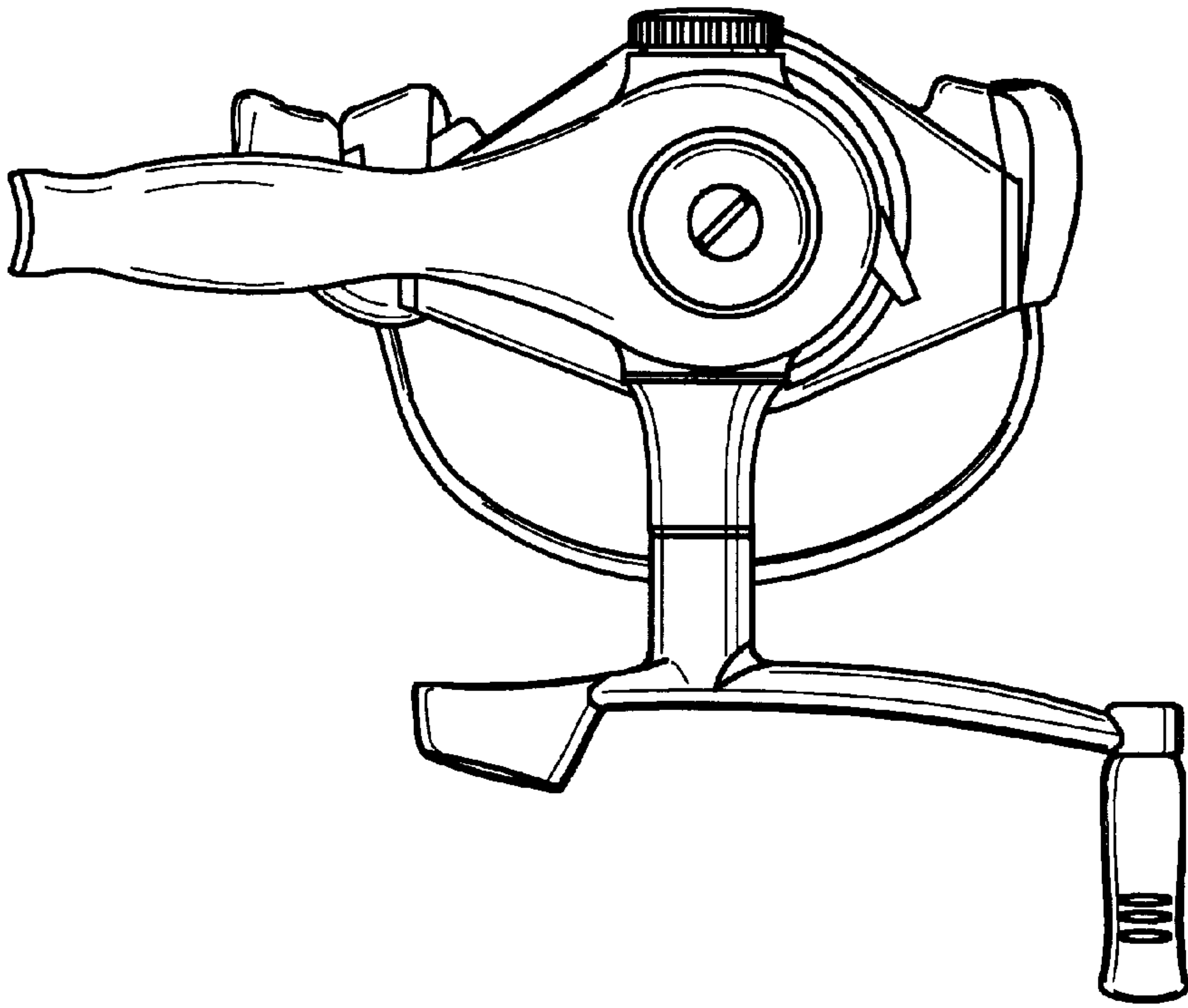


Fig. 5

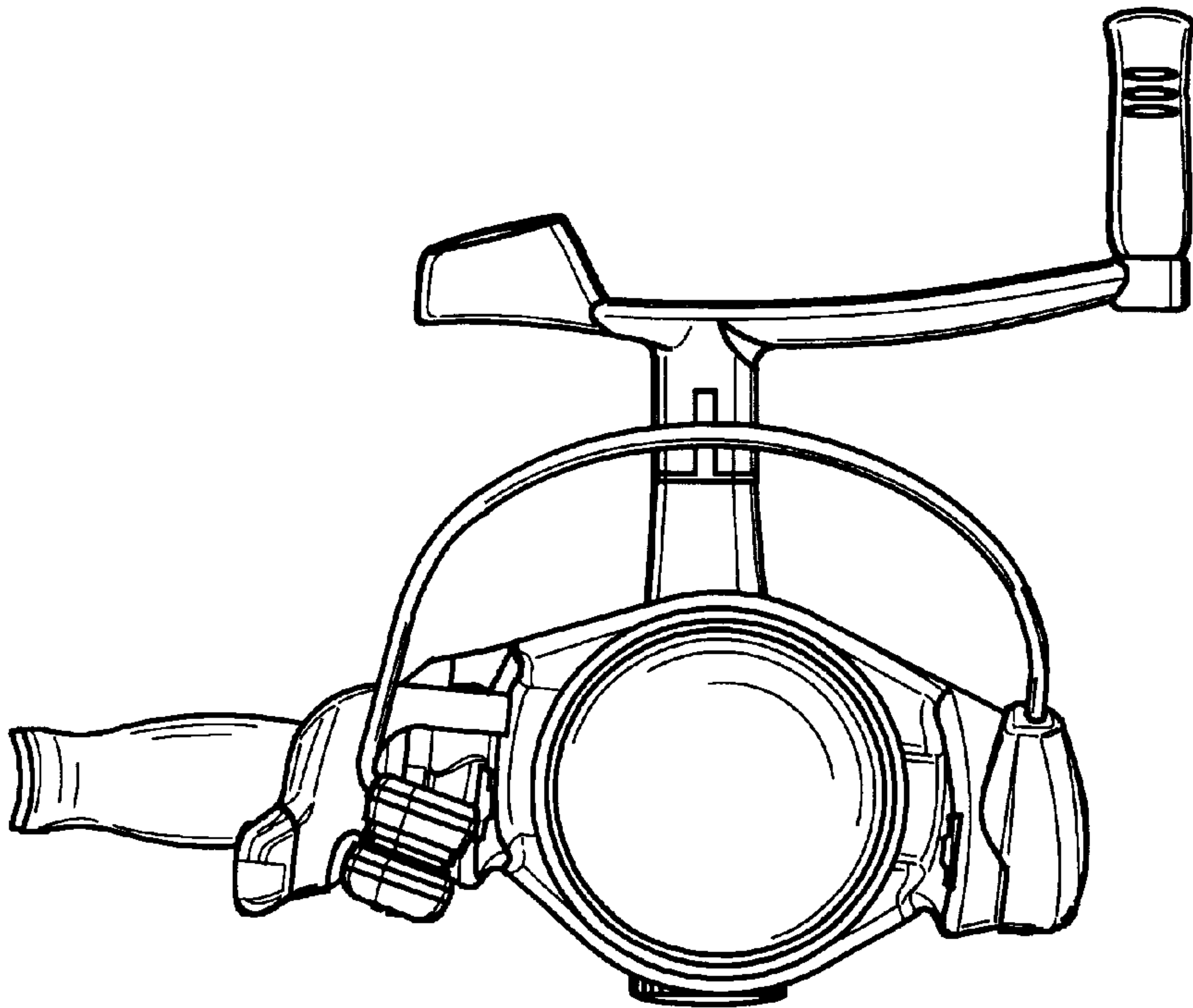


Fig. 4

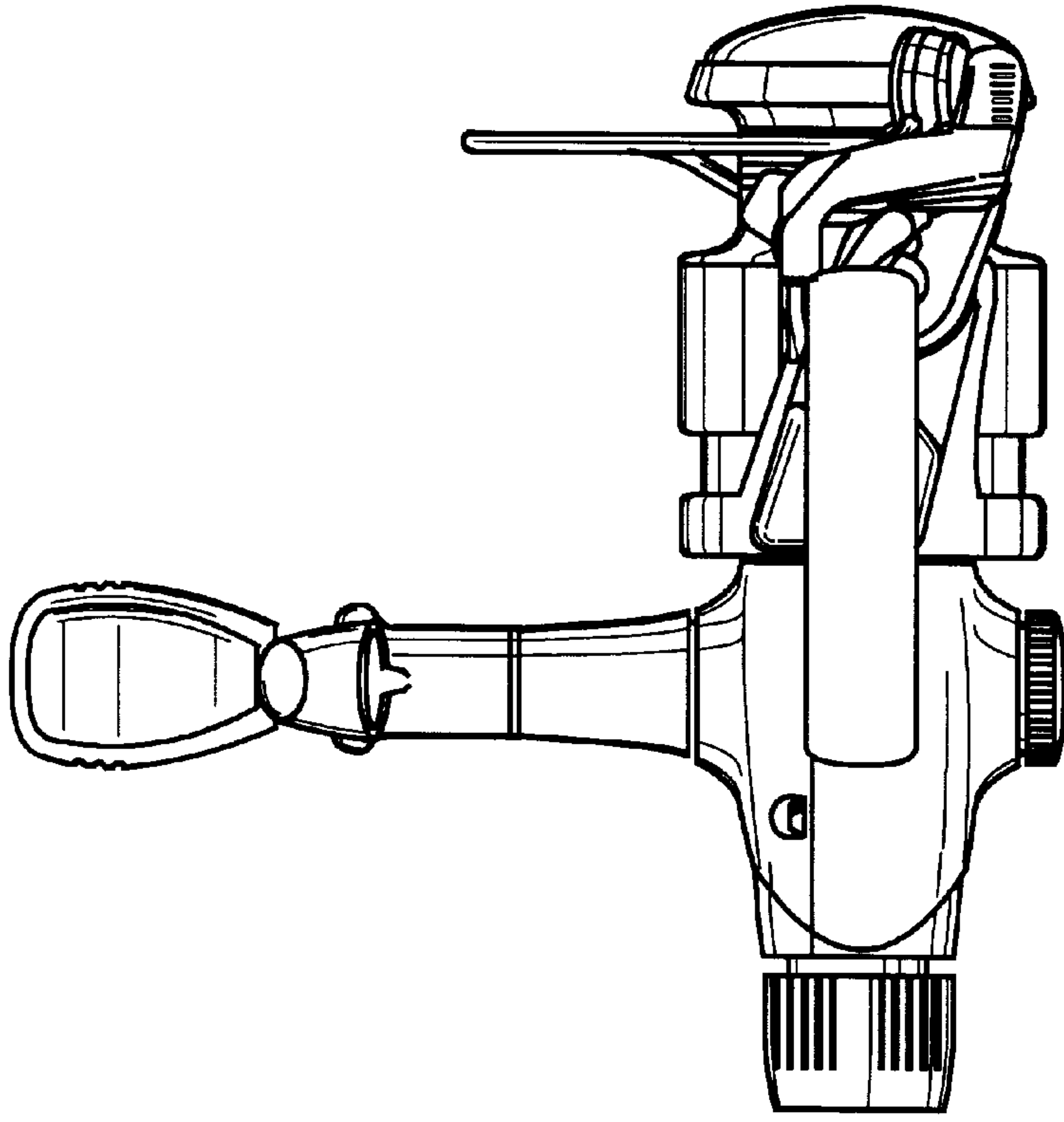


Fig. 7

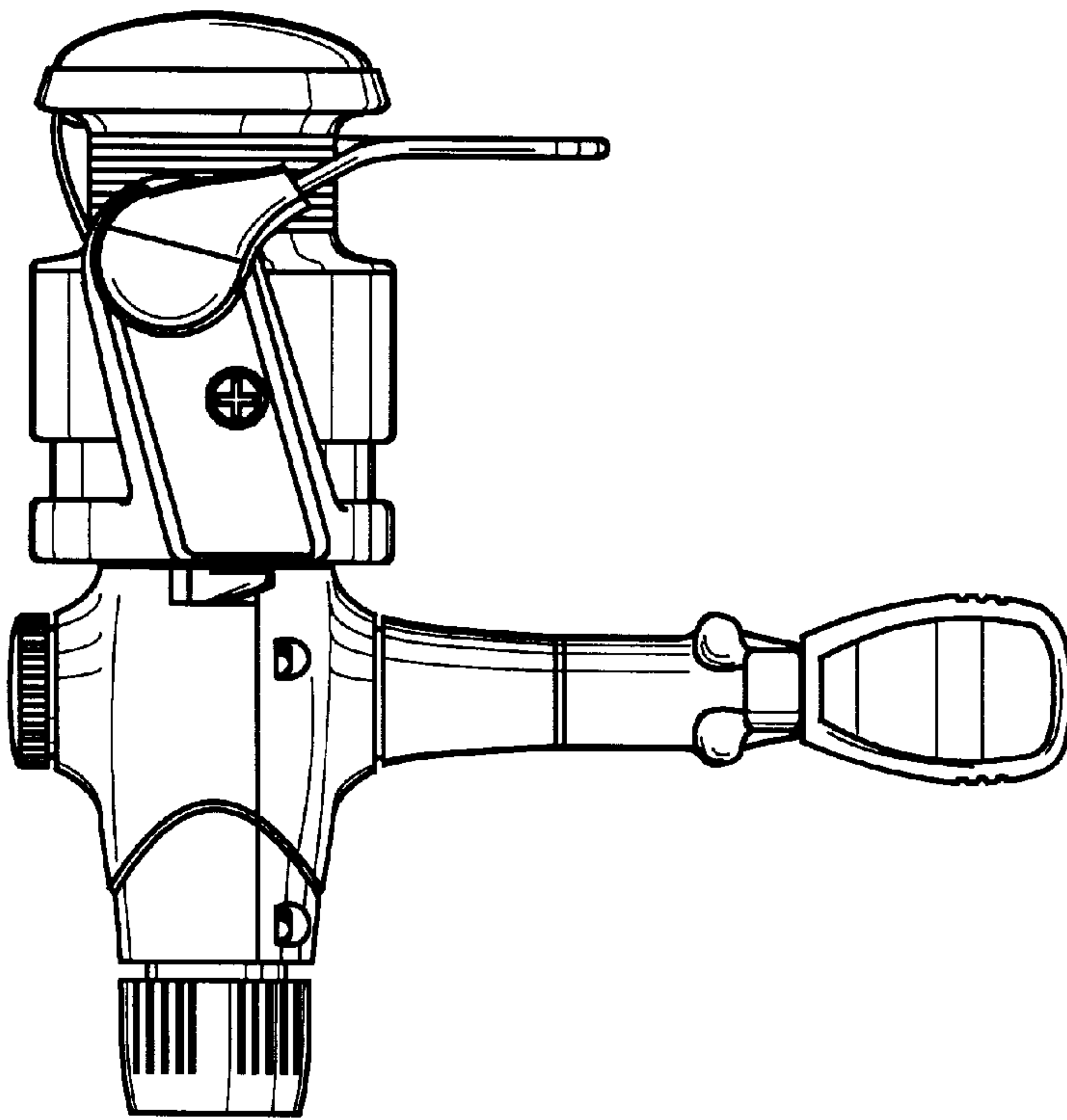


Fig. 6