



US00D423634S

# United States Patent [19]

Tao et al.

[11] **Patent Number: Des. 423,634**

[45] **Date of Patent: \*\* Apr. 25, 2000**

[54] **HANDLE ASSEMBLY FOR FISHING REEL**

D. 374,059 9/1996 Atherton et al. .... D22/140  
D. 383,191 9/1997 Atherton et al. .... D22/141

[76] Inventors: **Ning Tao**, 2/28A Drummond Crescent, Rowville, Victoria, 3178, Australia; **Suo Hsin**, 16 F No 98, Lane 134 Sec 3, Hsin 1 Road, Taipei, Taiwan

*Primary Examiner*—Louis S. Zarfaz  
*Assistant Examiner*—Inga-Maria Hyttinen  
*Attorney, Agent, or Firm*—Friedman Siegelbaum, LLP

[\*\*] Term: **14 Years**

### [57] CLAIM

[21] Appl. No.: **29/104,123**

The ornamental design for the handle assembly for fishing reel, as shown.

[22] Filed: **Apr. 28, 1999**

### DESCRIPTION

### [30] Foreign Application Priority Data

Nov. 10, 1998 [AU] Australia ..... 3597/98

FIG. 1 is a perspective view of a handle assembly for fishing reel showing our new design;  
FIG. 2 is a top view of the handle assembly for fishing reel shown in FIG. 1;  
FIG. 3 is a left side view of the handle assembly for fishing reel shown in FIG. 1;  
FIG. 4 is a bottom view of the handle assembly for fishing reel shown in FIG. 1;  
FIG. 5 is a front view of the handle assembly for fishing reel shown in FIG. 1;  
FIG. 6 is a rear view of the handle assembly for fishing reel shown in FIG. 1; and,  
FIG. 7 is a right side view of the handle assembly for fishing reel shown in FIG. 1.

[51] **LOC (6) Cl.** ..... **22-05**

[52] **U.S. Cl.** ..... **D22/140; D22/138**

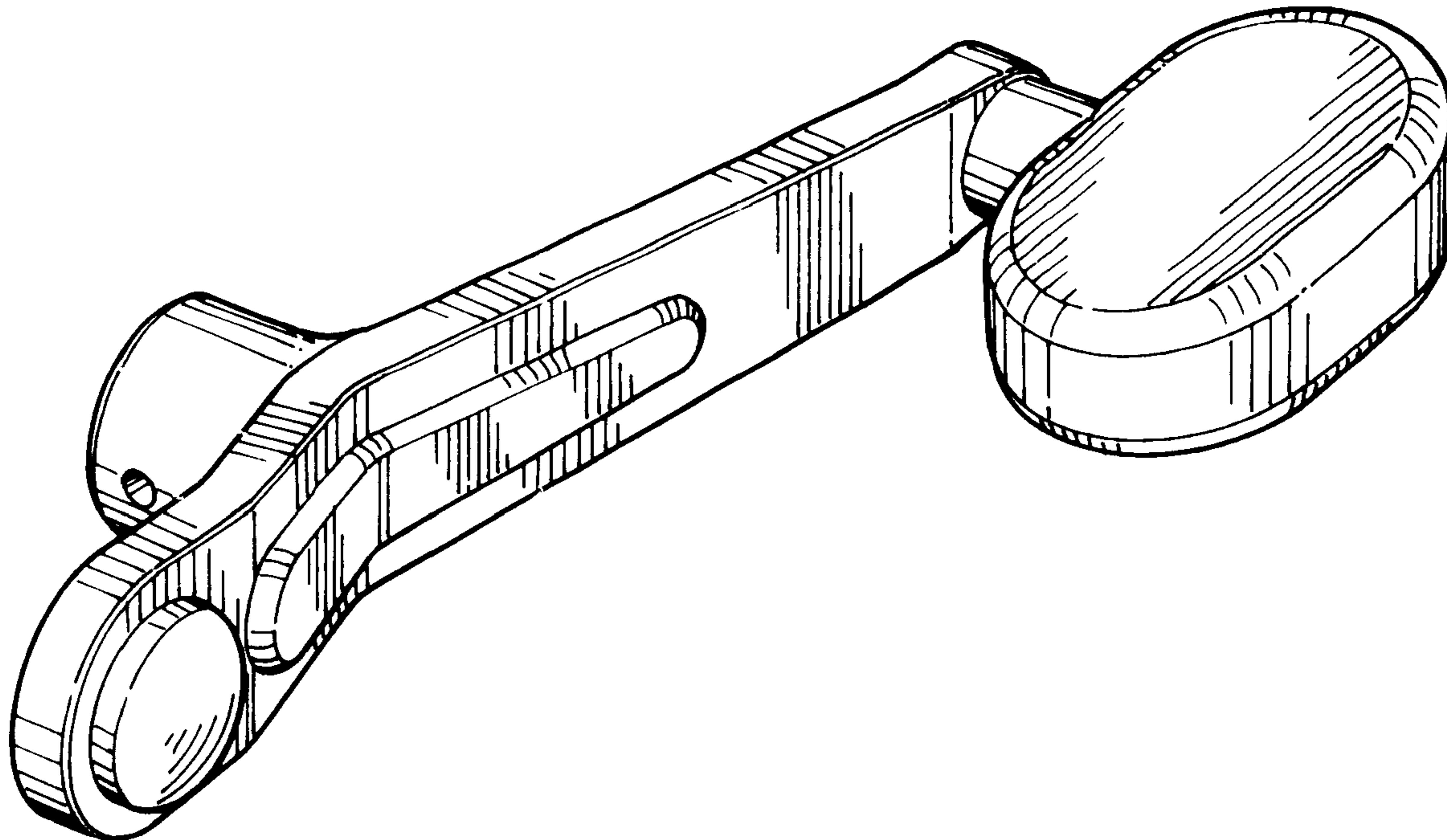
[58] **Field of Search** ..... D22/140, 137,  
D22/138, 139; 242/370, 223, 234, 224,  
311, 322

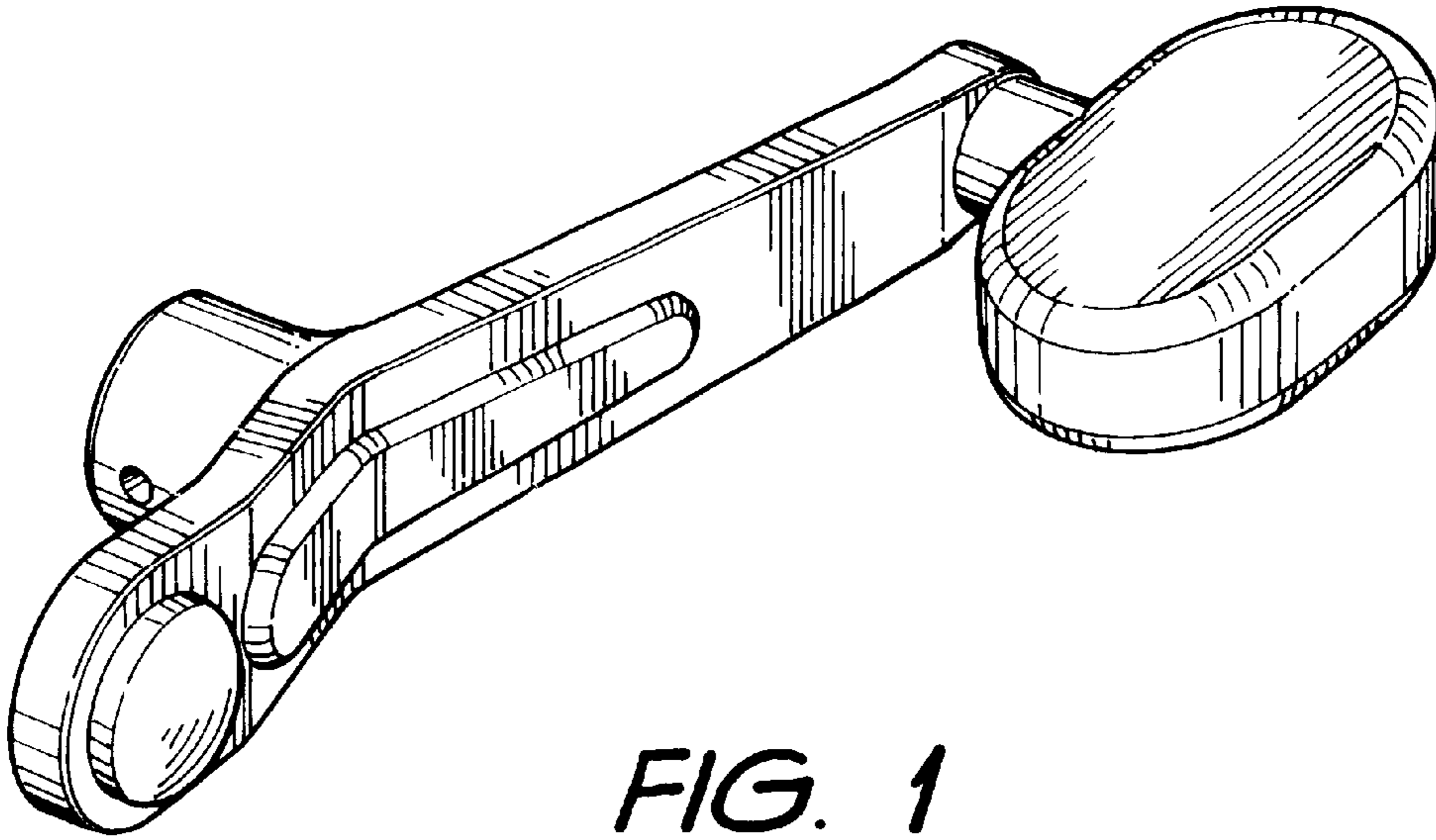
### [56] References Cited

#### U.S. PATENT DOCUMENTS

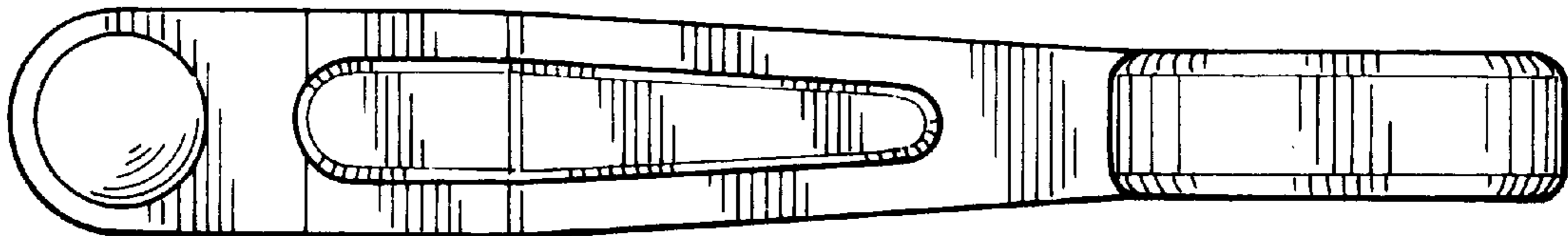
- D. 247,627 3/1978 Takeuchi ..... D22/140
- D. 257,688 12/1980 Doi et al. .... D22/141
- D. 281,188 10/1985 Shohoji et al. .... D22/140
- D. 291,472 8/1987 Kameda ..... D22/141
- D. 373,404 9/1996 Atherton et al. .... D22/140

**1 Claim, 2 Drawing Sheets**

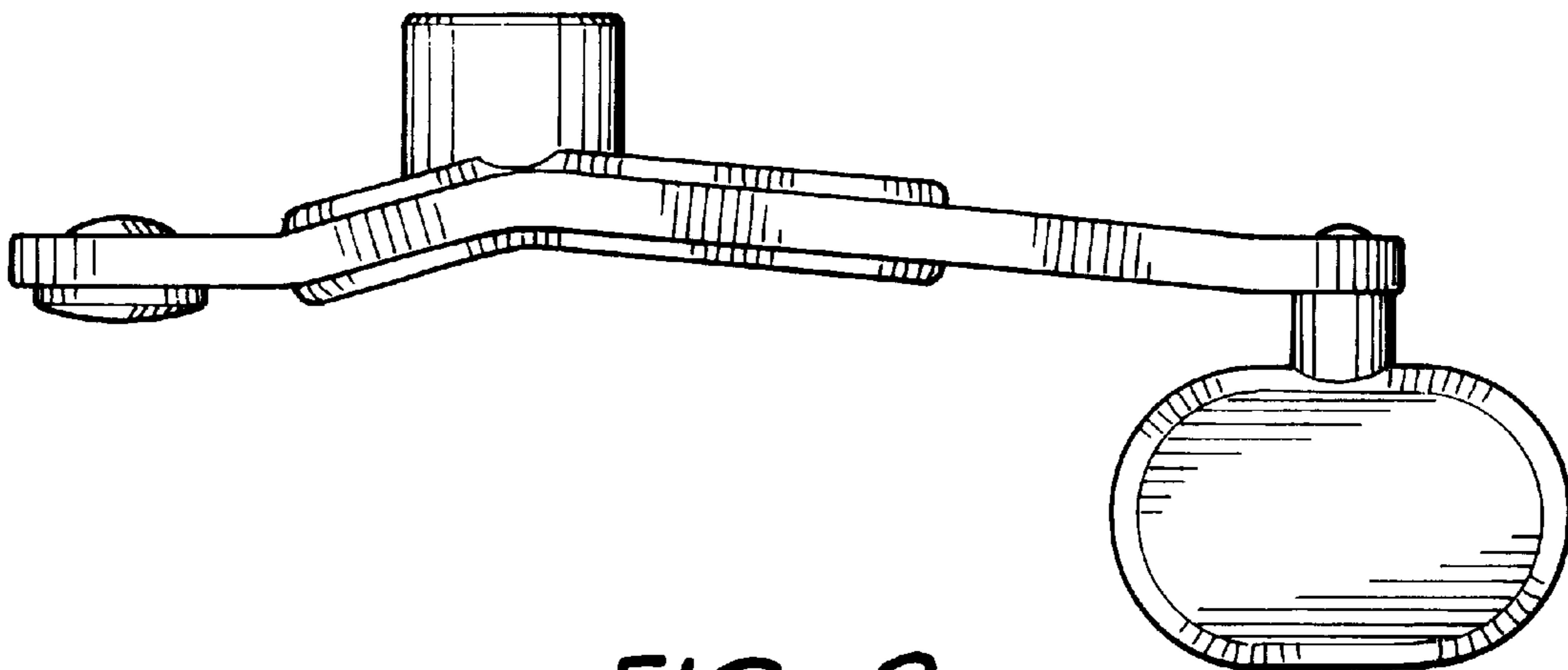




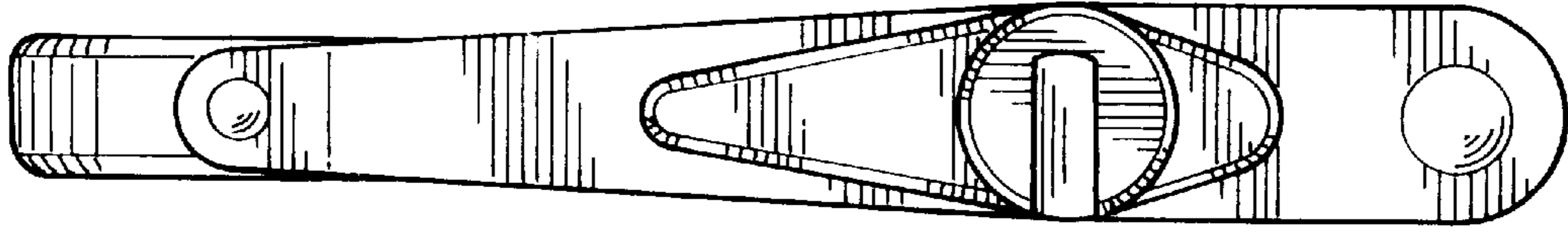
*FIG. 1*



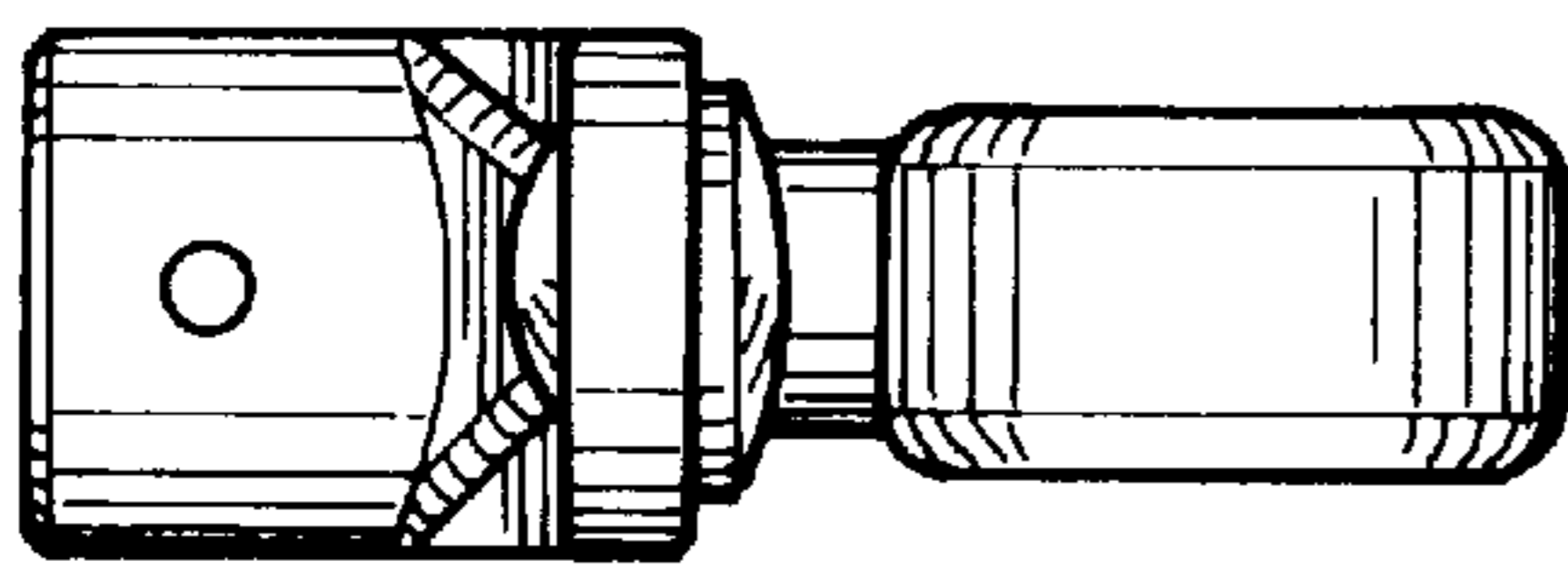
*FIG. 2*



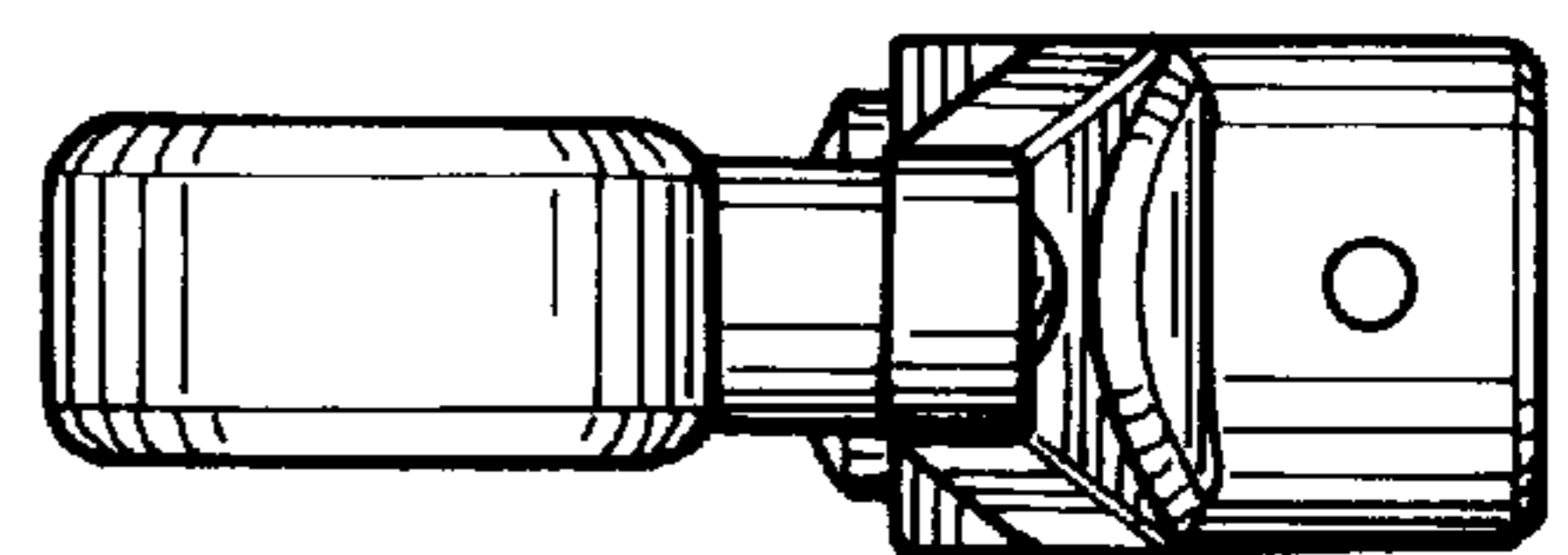
*FIG. 3*



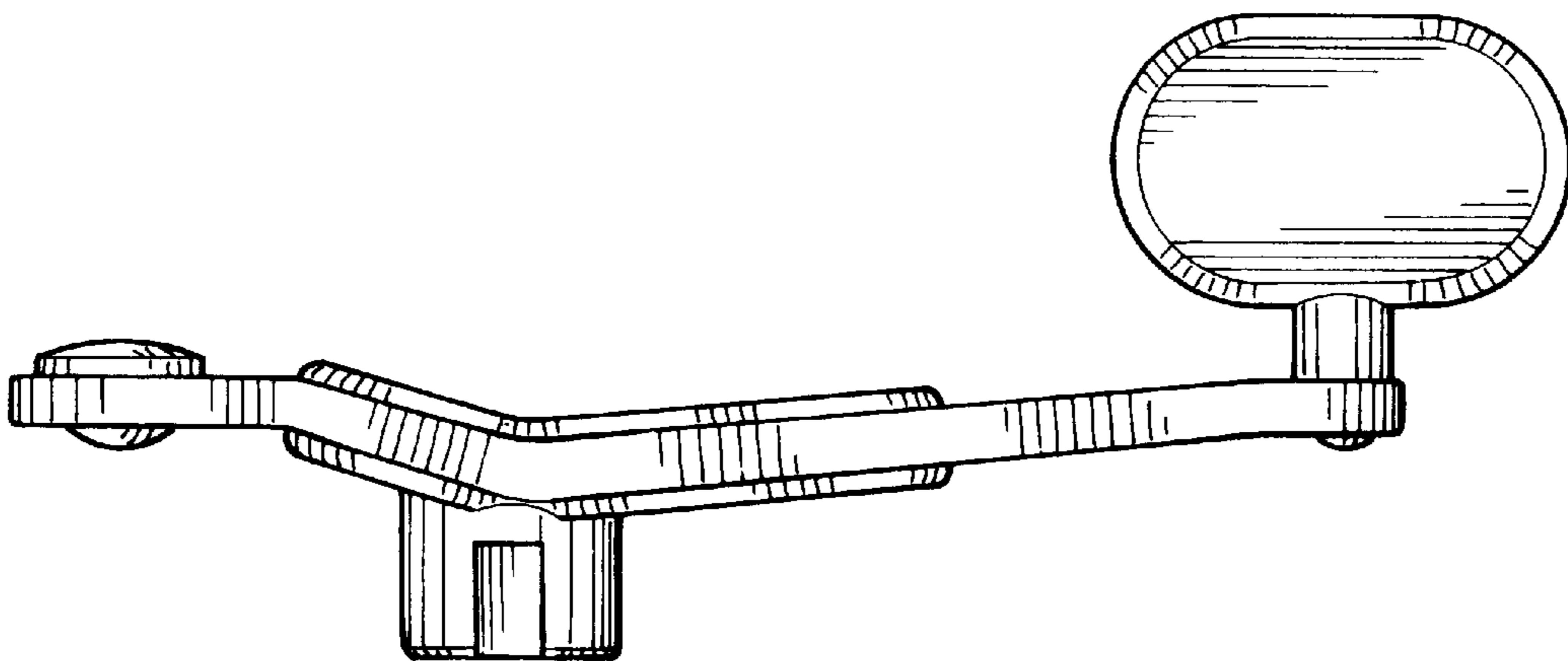
*FIG. 4*



*FIG. 5*



*FIG. 6*



*FIG. 7*