



US00D423631S

# United States Patent [19] Shultz

[11] Patent Number: **Des. 423,631**

[45] Date of Patent: **\*\* Apr. 25, 2000**

[54] **TRANSPARENT MOUSETRAP**

[76] Inventor: **Donald E. Shultz**, 10588 Lariat Rd.,  
Dodge City, Kans. 67801

[\*\*] Term: **14 Years**

[21] Appl. No.: **29/100,350**

[22] Filed: **Feb. 10, 1999**

### Related U.S. Application Data

[63] Continuation-in-part of application No. 29/087,924, May  
12, 1998, Pat. No. Des. 405,862.

[51] **LOC (6) Cl.** ..... **22-06**

[52] **U.S. Cl.** ..... **D22/119**

[58] **Field of Search** ..... D22/119; 43/61,  
43/65, 66

### [56] References Cited

#### U.S. PATENT DOCUMENTS

D. 335,325	5/1993	Morford	.....	D22/119
D. 368,952	4/1996	Flowers	.....	D22/119
D. 404,790	1/1999	Benedetto	.....	D22/119
1,286,898	12/1918	Ammen	.....	43/61
1,415,093	5/1922	Hurley	.....	43/61
1,590,879	6/1926	Boynton	.....	43/61
1,747,380	2/1930	McCully	.....	43/61
2,193,937	3/1940	Pirani et al.	.....	43/66
2,243,367	5/1941	Abriol	.....	43/61
2,377,967	6/1945	Rice	.....	43/61
2,475,462	7/1949	Rosen	.....	43/61
2,518,819	8/1950	Roessler, Jr.	.....	43/61
4,232,472	11/1980	Muelling	.....	43/61

4,288,940	9/1981	Ensey	.....	D22/119
4,318,241	3/1982	Fassauer	.....	43/58
4,335,535	6/1982	Lindley	.....	43/61
4,413,439	11/1983	Lindley	.....	43/61
4,550,523	11/1985	Spiller	.....	43/61
4,557,067	12/1985	Ha	.....	43/61
4,567,688	2/1986	McKee	.....	43/61
4,578,892	4/1986	Melton	.....	43/60
4,583,317	4/1986	Beard	.....	43/61
4,787,170	11/1988	Kingsbury et al.	.....	43/61
4,829,700	5/1989	Ha	.....	43/61
5,094,027	3/1992	Smotherman	.....	43/60
5,148,625	9/1992	Saleman	.....	43/121
5,682,705	11/1997	Stahl	.....	43/61
5,778,594	7/1998	Askins et al.	.....	43/61
5,862,624	1/1999	Askins	.....	43/61

*Primary Examiner*—Louis S. Zarfaz  
*Assistant Examiner*—Inga-Maria Hyttinen  
*Attorney, Agent, or Firm*—Richard G. Heywood

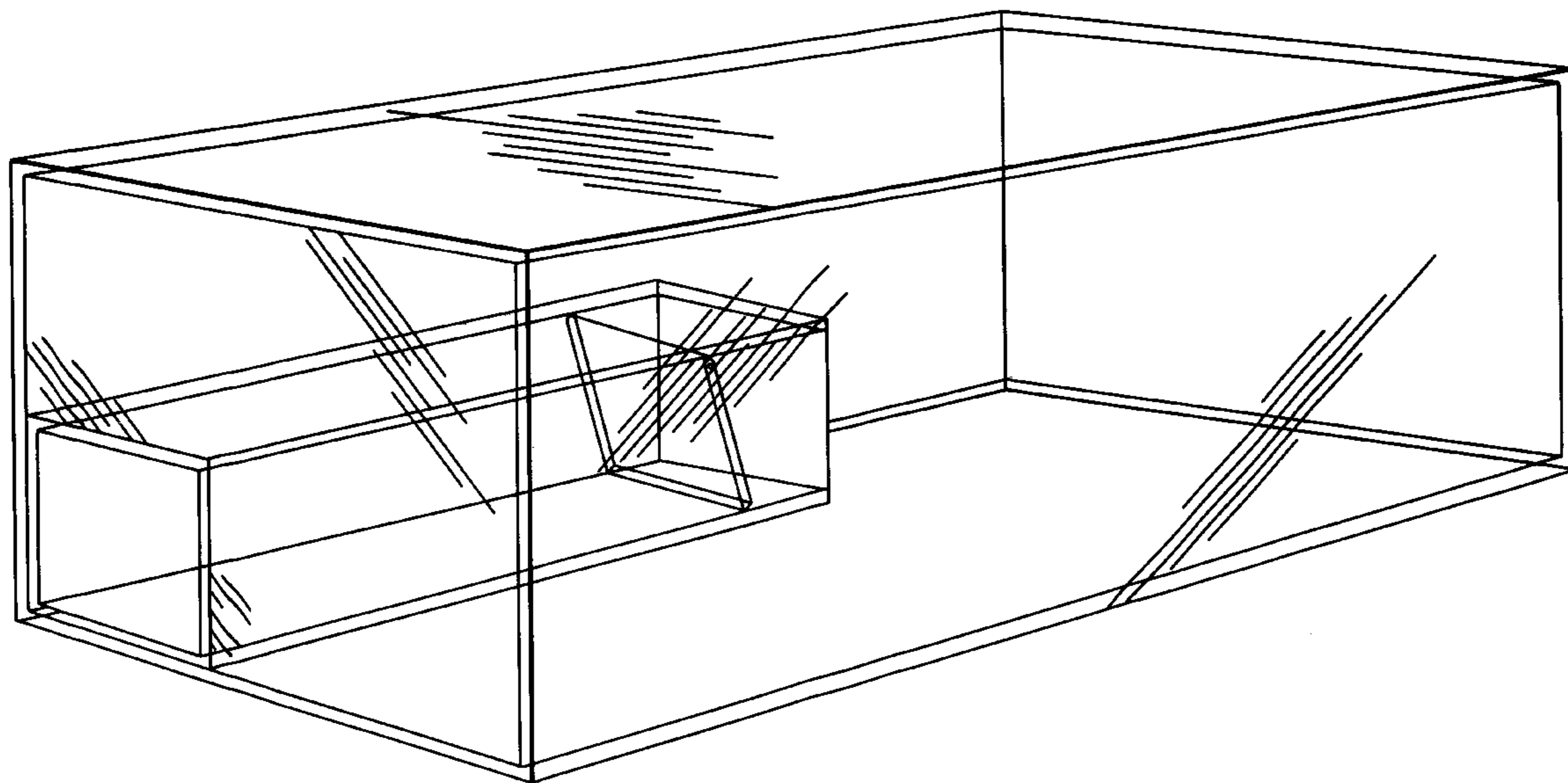
### [57] CLAIM

The ornamental design for a transparent mousetrap, as shown and described.

### DESCRIPTION

FIG. 1 is a perspective view showing a preferred embodiment of my new transparent mousetrap, FIG. 2 is a side elevational view thereof, FIG. 3 is a rear elevational view thereof taken from the left-hand side of FIG. 2, FIG. 4 is a front elevational view thereof taken from the right-hand side of FIG. 2; and, FIG. 5 is a top plan view of my transparent moustrap.

**1 Claim, 4 Drawing Sheets**



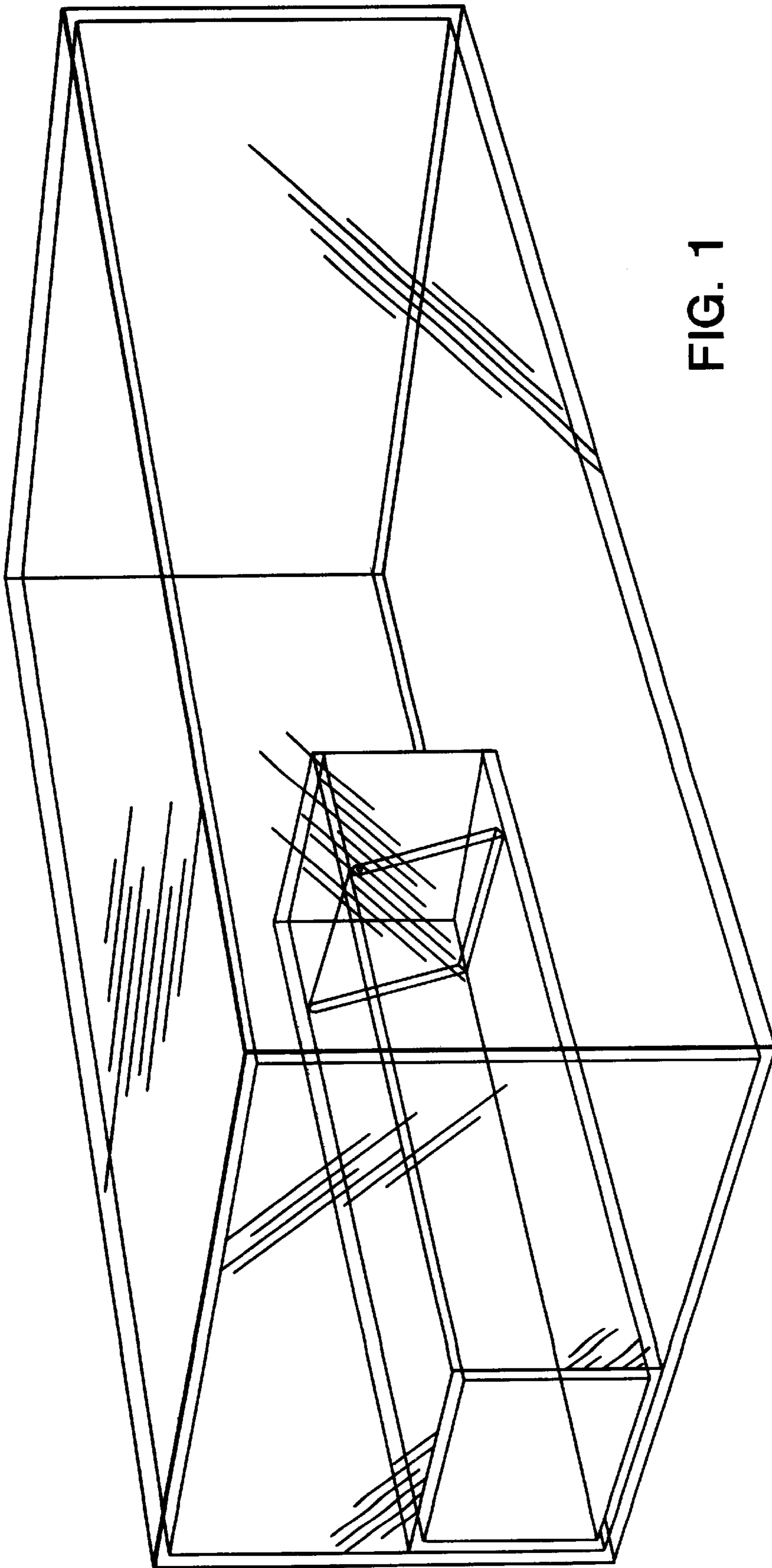


FIG. 1

FIG. 2

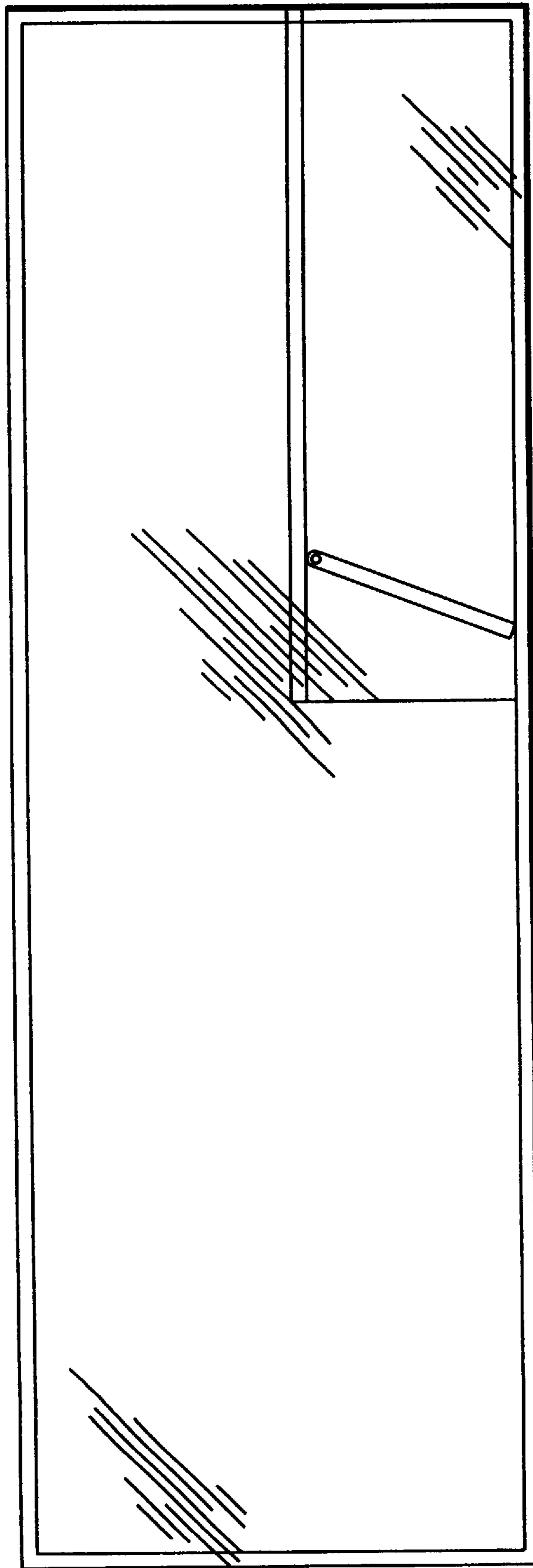


FIG. 3

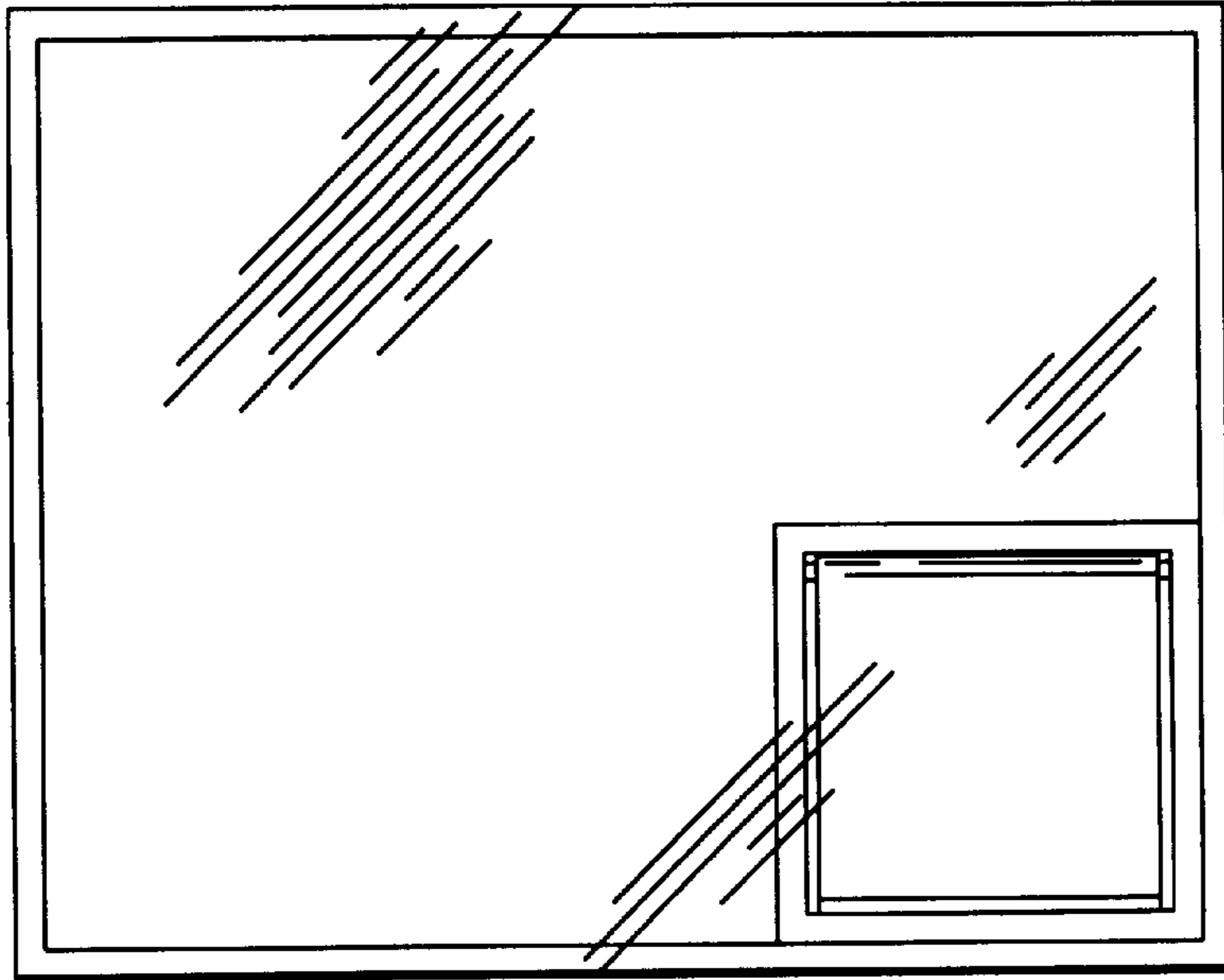


FIG. 4

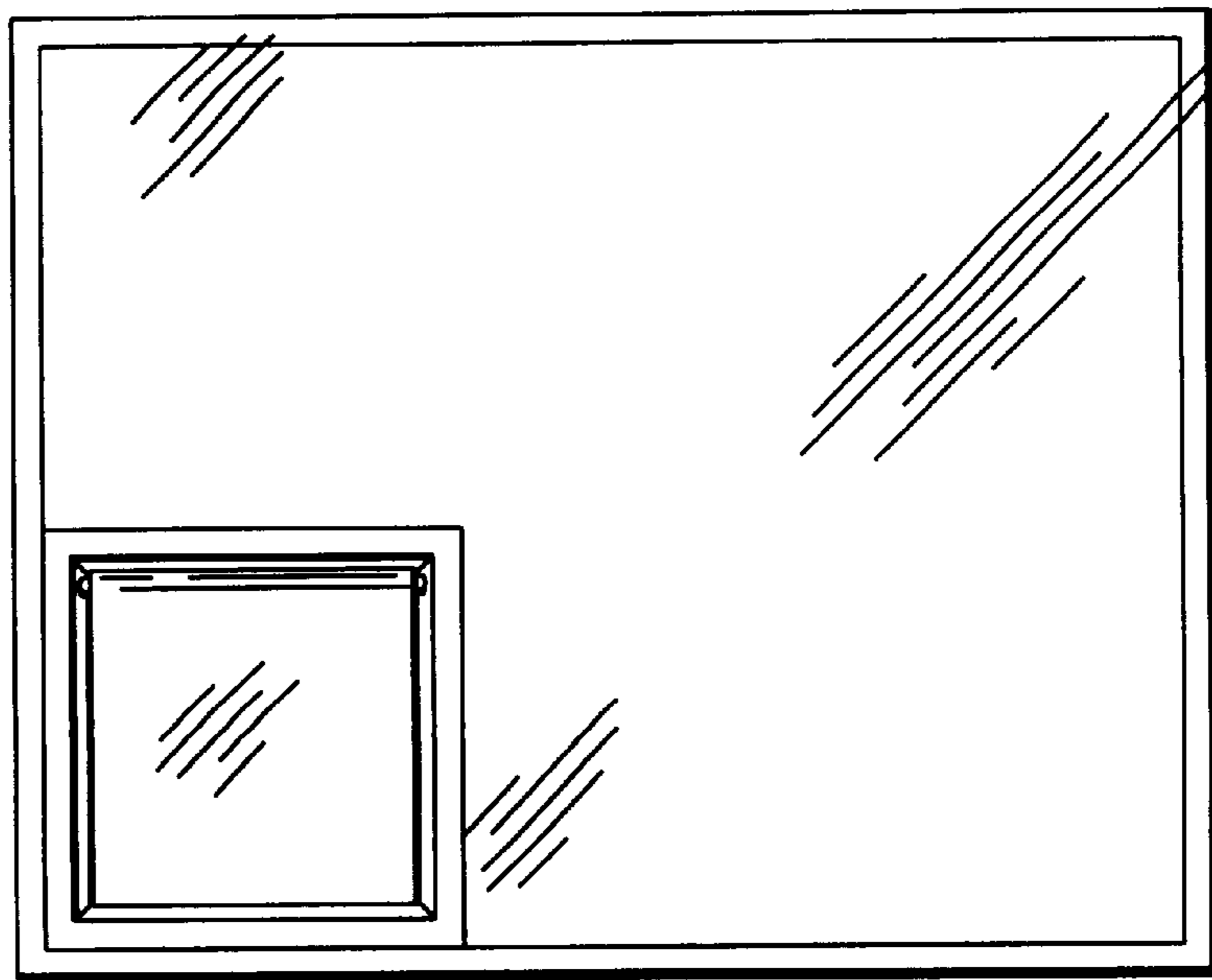


FIG. 5

