



US00D423630S

United States Patent [19]

Flubacher et al.

[11] Patent Number: **Des. 423,630**

[45] Date of Patent: **** Apr. 25, 2000**

[54] **GUN SIGHT**

[75] Inventors: **Paul A. Flubacher**, Greenville; **Julius H. Uhlmann**, Huntsville, both of Ala.; **Patricia Wilson**, Plano, Tex.

[73] Assignee: **Highlander Sports, Inc.**, Huntsville, Ala.

[**] Term: **14 Years**

[21] Appl. No.: **29/103,038**

[22] Filed: **Apr. 7, 1999**

[51] **LOC (6) Cl.** **22-01**

[52] **U.S. Cl.** **D22/109; D22/100; D22/108; D22/199**

[58] **Field of Search** **D22/100, 108, D22/109, 199; 33/233, 241, 242, 243, 250; 42/100, 102, 103**

[56] **References Cited**

U.S. PATENT DOCUMENTS

D. 393,306 4/1998 Couper D22/109

1,247,559	11/1917	Marble	42/100
3,641,676	2/1972	Knutsen et al.	33/233
4,008,536	2/1977	Adams	42/100
5,836,100	11/1998	Stover	42/103
5,878,503	3/1999	Howe et al.	33/241

Primary Examiner—Louis S. Zarfaz
Assistant Examiner—Monica A. Weingart
Attorney, Agent, or Firm—Nixon & Vanderhye P.C.

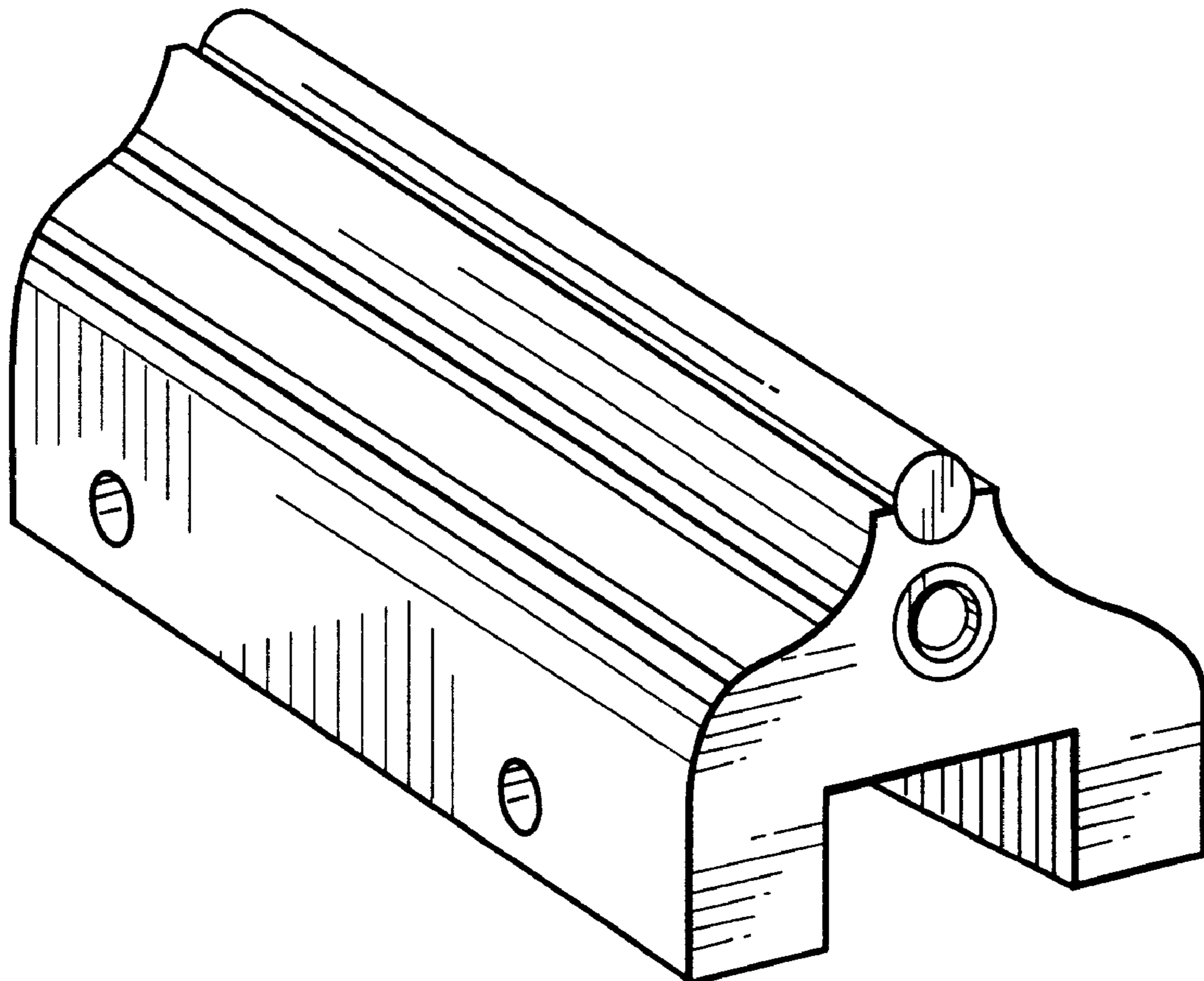
[57] **CLAIM**

The ornamental design for a “gun sight”, as shown and described.

DESCRIPTION

FIG. 1 is a rear end perspective view showing the new gun sight design;
FIG. 2 is a rear end elevation view thereof;
FIG. 3 is a top plan view thereof;
FIG. 4 is a front end elevation view thereof;
FIG. 5 is a right side elevation view thereof, the left side elevation view being substantially a mirror image thereof; and,
FIG. 6 is a bottom plan view thereof.

1 Claim, 3 Drawing Sheets



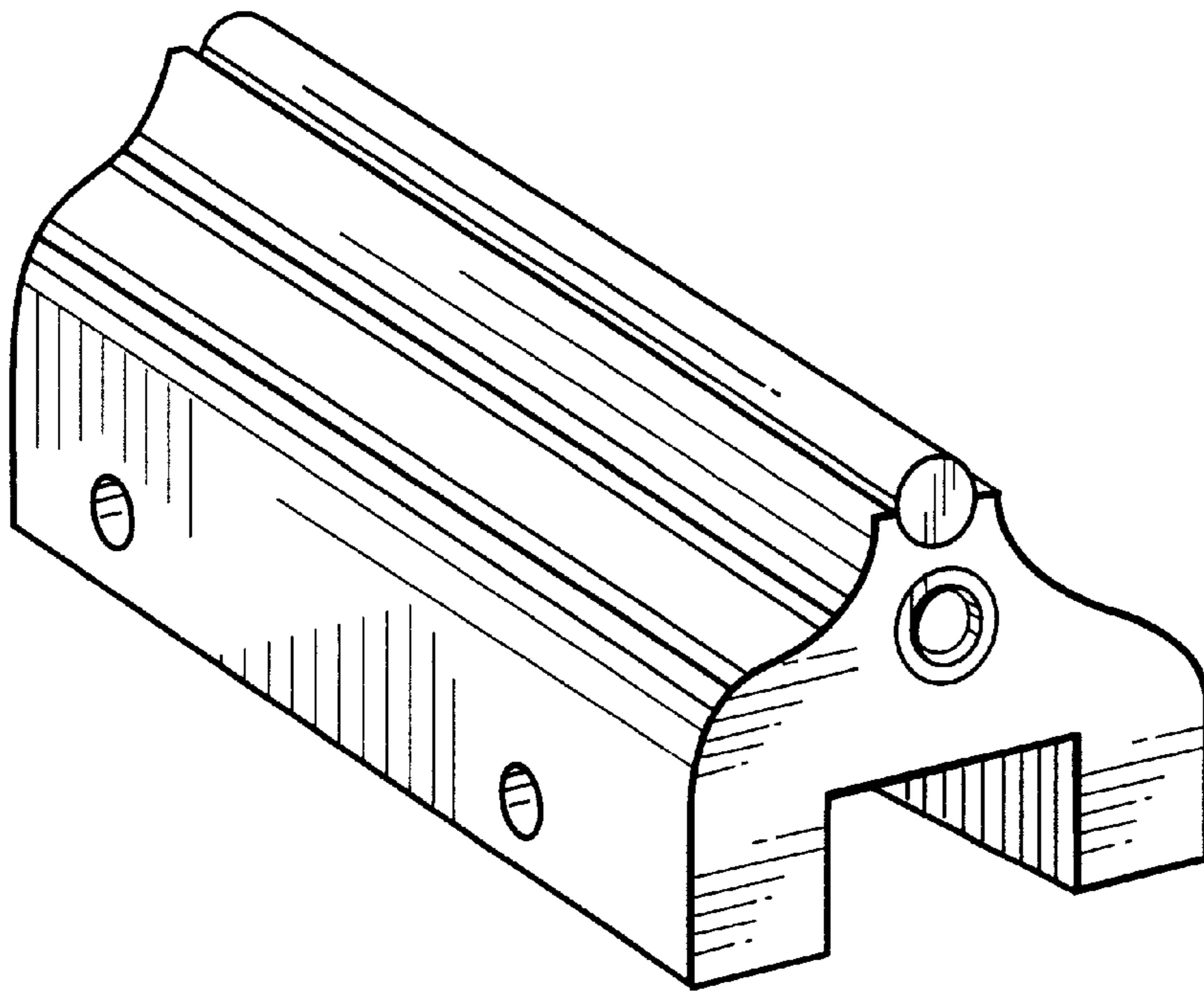


Fig. 1

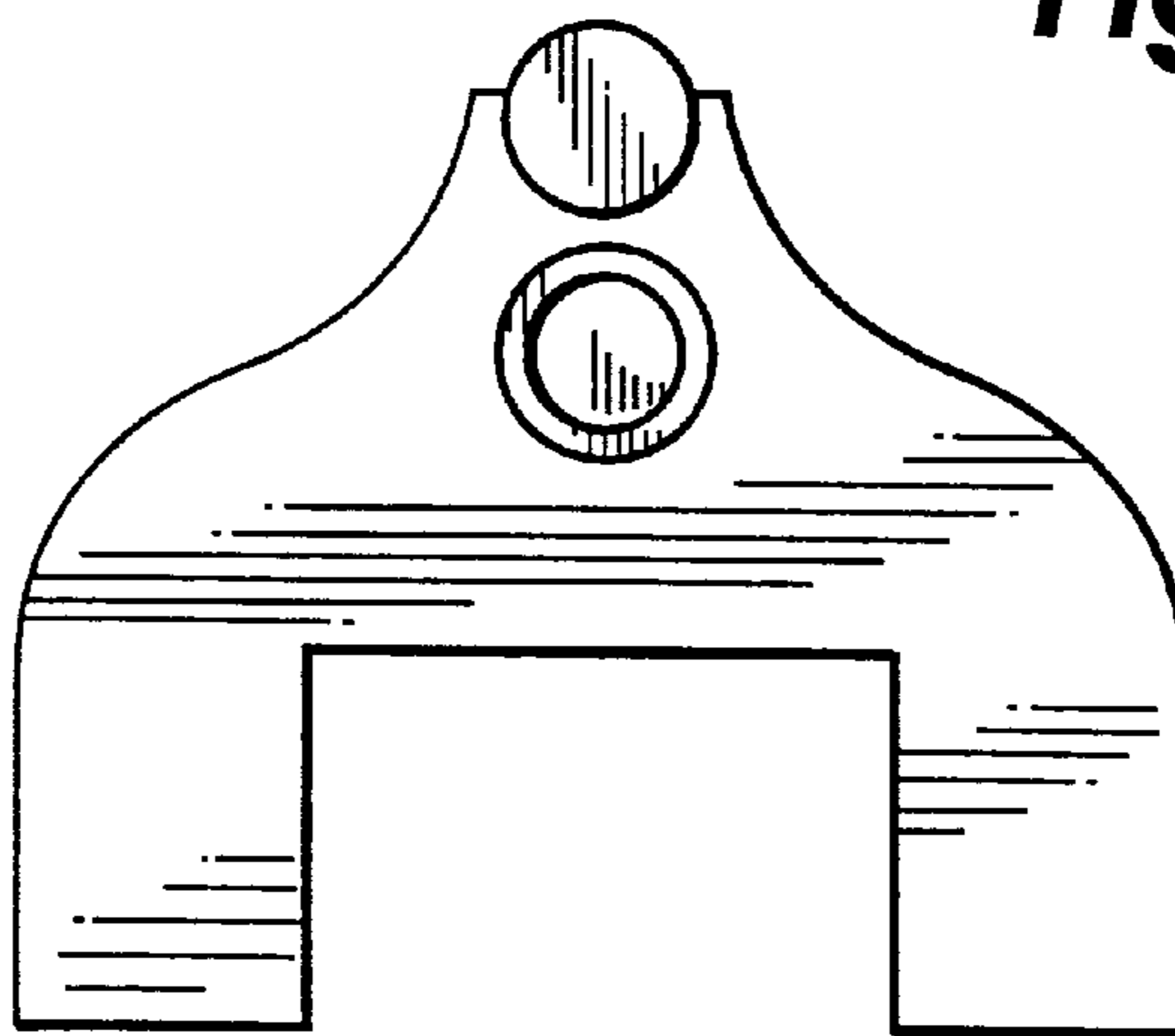


Fig. 2

Fig. 3

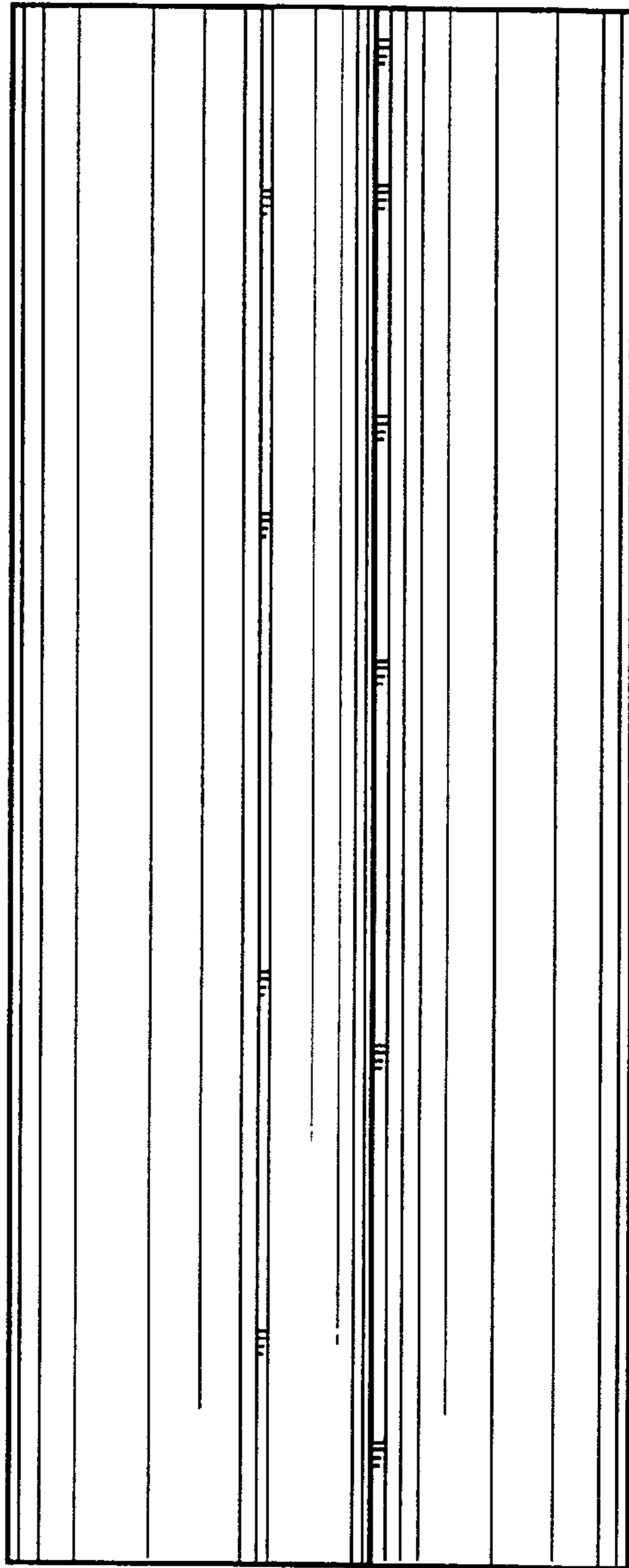


Fig. 4

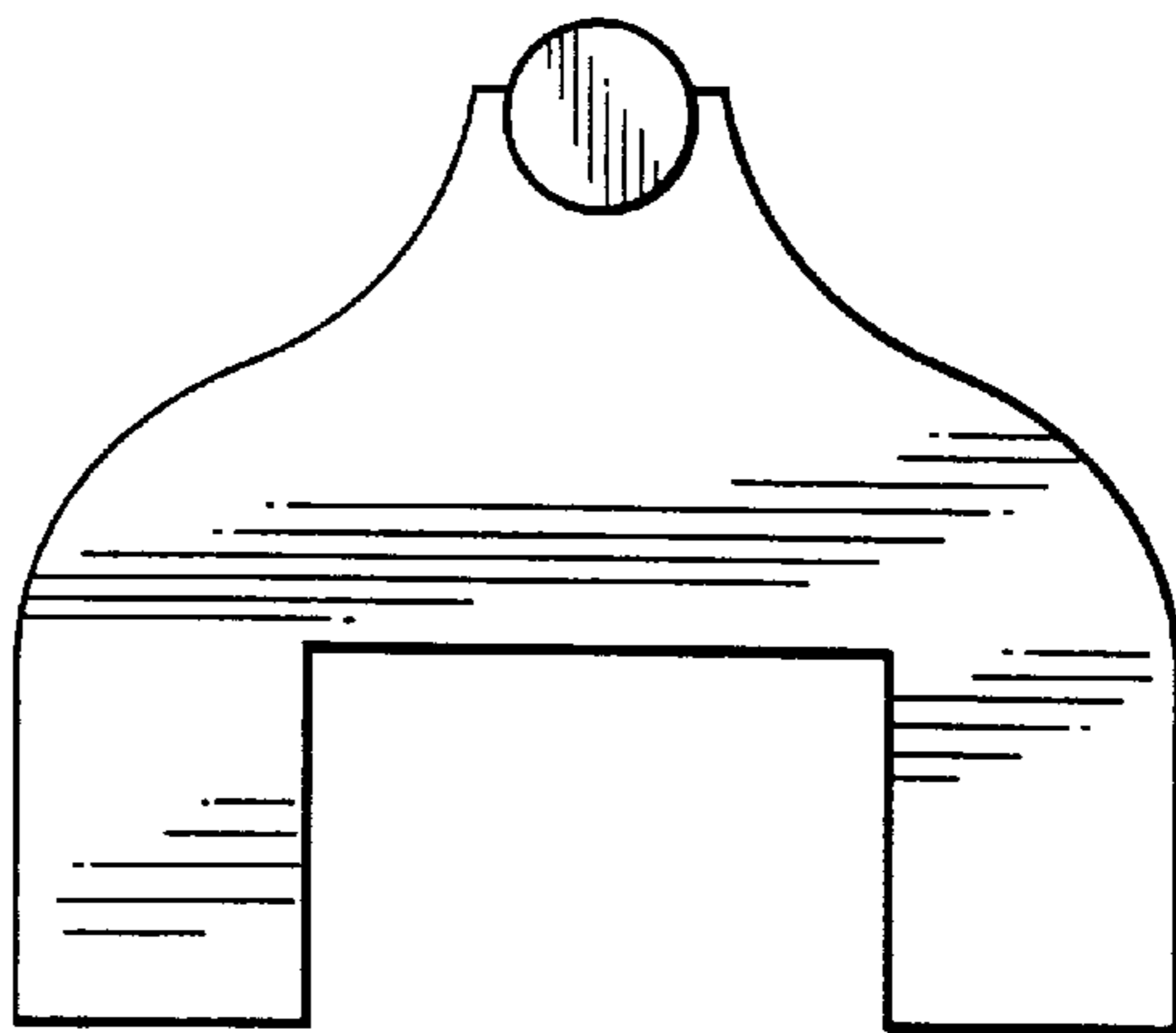


Fig. 5

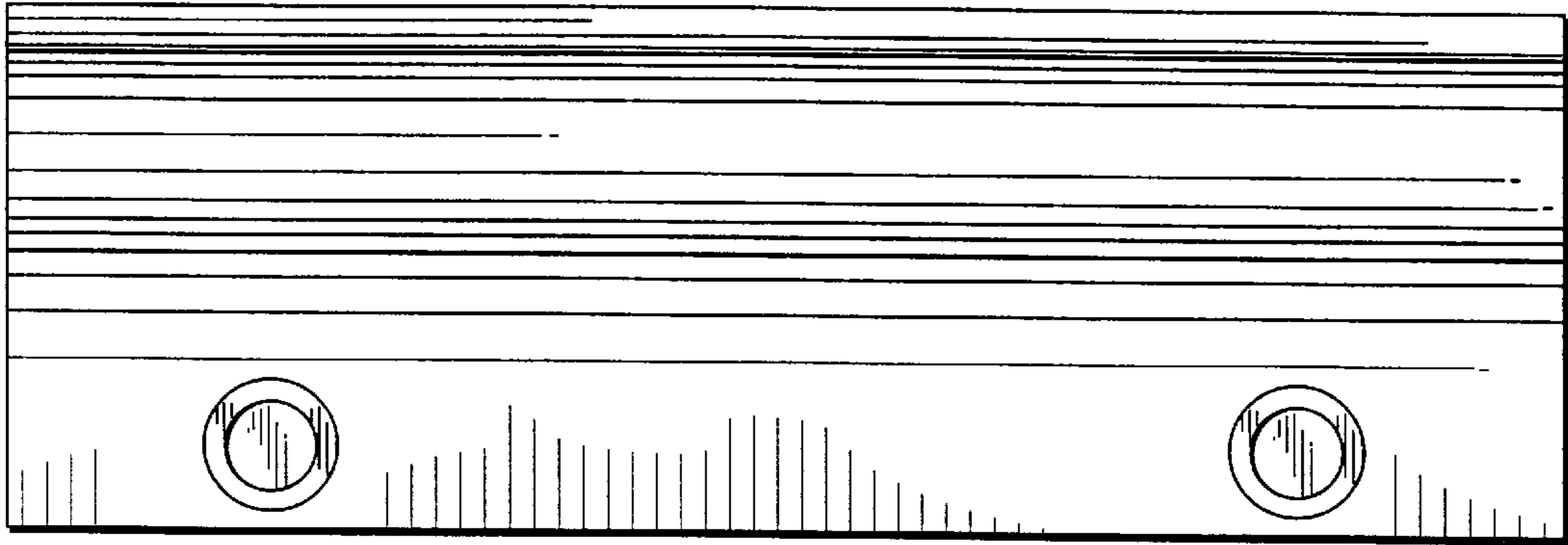


Fig. 6

