



US00D423628S

# United States Patent [19]

Smart et al.

[11] Patent Number: **Des. 423,628**

[45] Date of Patent: **\*\* Apr. 25, 2000**

[54] **MUSKET LOADER**

3,775,889 12/1973 Wilburn ..... 42/90  
4,601,125 7/1986 Curtis ..... 42/90

[76] Inventors: **Nancy M. Smart; Calvin R. Smart**,  
both of 32 Overland St., Laconia, N.H.  
03246

*Primary Examiner*—Louis S. Zarfes  
*Assistant Examiner*—Monica A. Weingart  
*Attorney, Agent, or Firm*—Michael J Persson; William B.  
Ritchie

[\*\*] Term: **14 Years**

[21] Appl. No.: **29/105,269**

### [57] CLAIM

[22] Filed: **May 20, 1999**

The ornamental design for a musket loader, as shown.

[51] **LOC (6) Cl.** ..... **22-01**

### DESCRIPTION

[52] **U.S. Cl.** ..... **D22/108; D22/100; D22/199**

[58] **Field of Search** ..... D22/100, 108,  
D22/199; 42/51, 87, 90; 89/1.3; D9/544,  
573

FIG. 1 is an isometric front view of the musket loader.  
FIG. 2 is both a front view and a reversed back view of the  
musket loader showing the internal powder, slug and cap  
compartments.

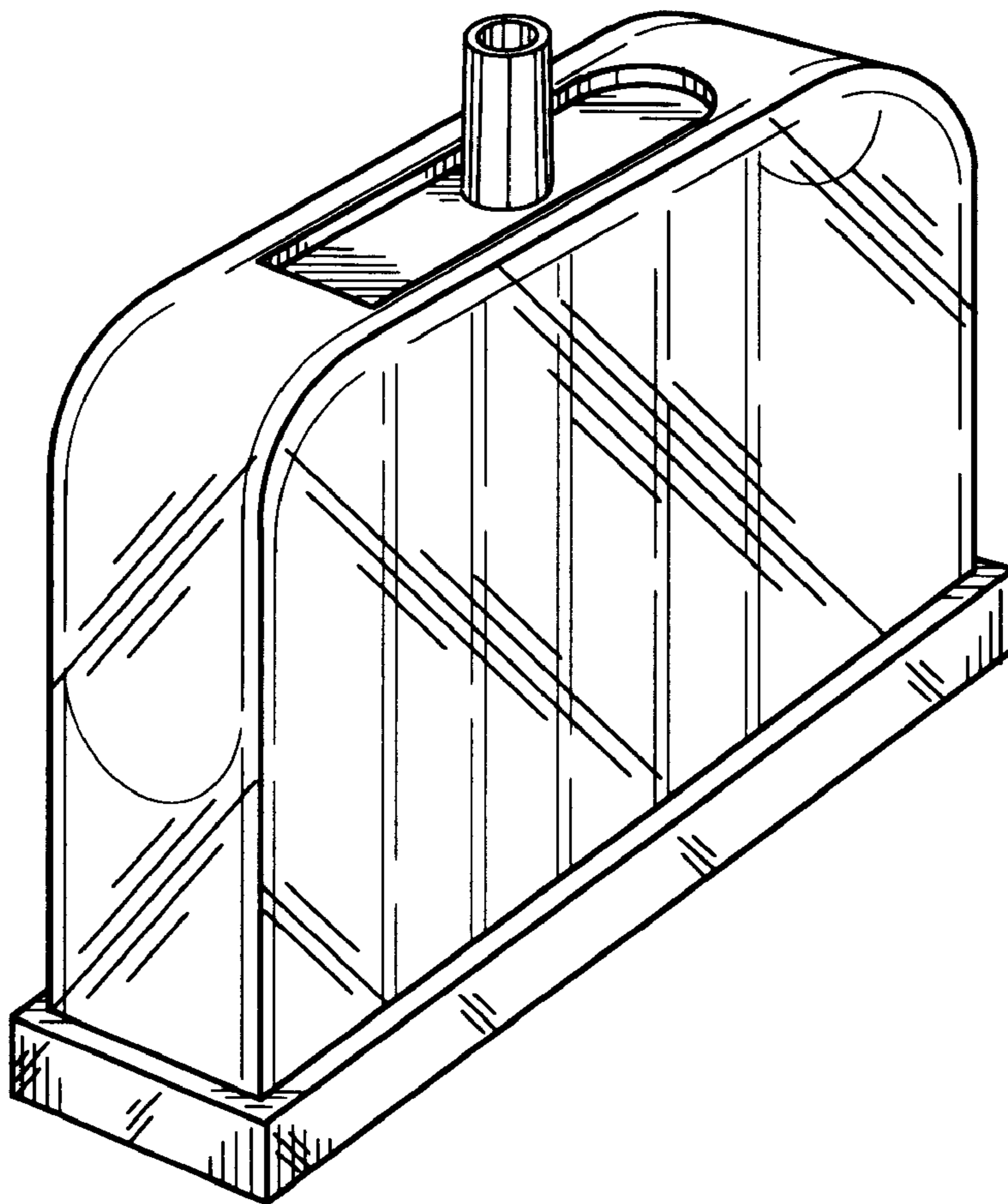
### [56] References Cited

#### U.S. PATENT DOCUMENTS

21,802 10/1858 Schenkl ..... 42/51  
D. 121,286 7/1940 Robert ..... D9/544  
D. 142,616 10/1945 Clevenger ..... D9/573  
D. 290,341 6/1987 Durand ..... D9/544  
3,516,326 6/1970 Donner ..... 89/1.3

FIG. 3 is a left side view of the musket loader.  
FIG. 4 is a right side view of the musket loader.  
FIG. 5 is a top view of the musket loader showing the  
powder spout in a typical position; and,  
FIG. 6 is a bottom view of the musket loader showing the  
slug and cap compartment doors each in a closed position.

**1 Claim, 2 Drawing Sheets**



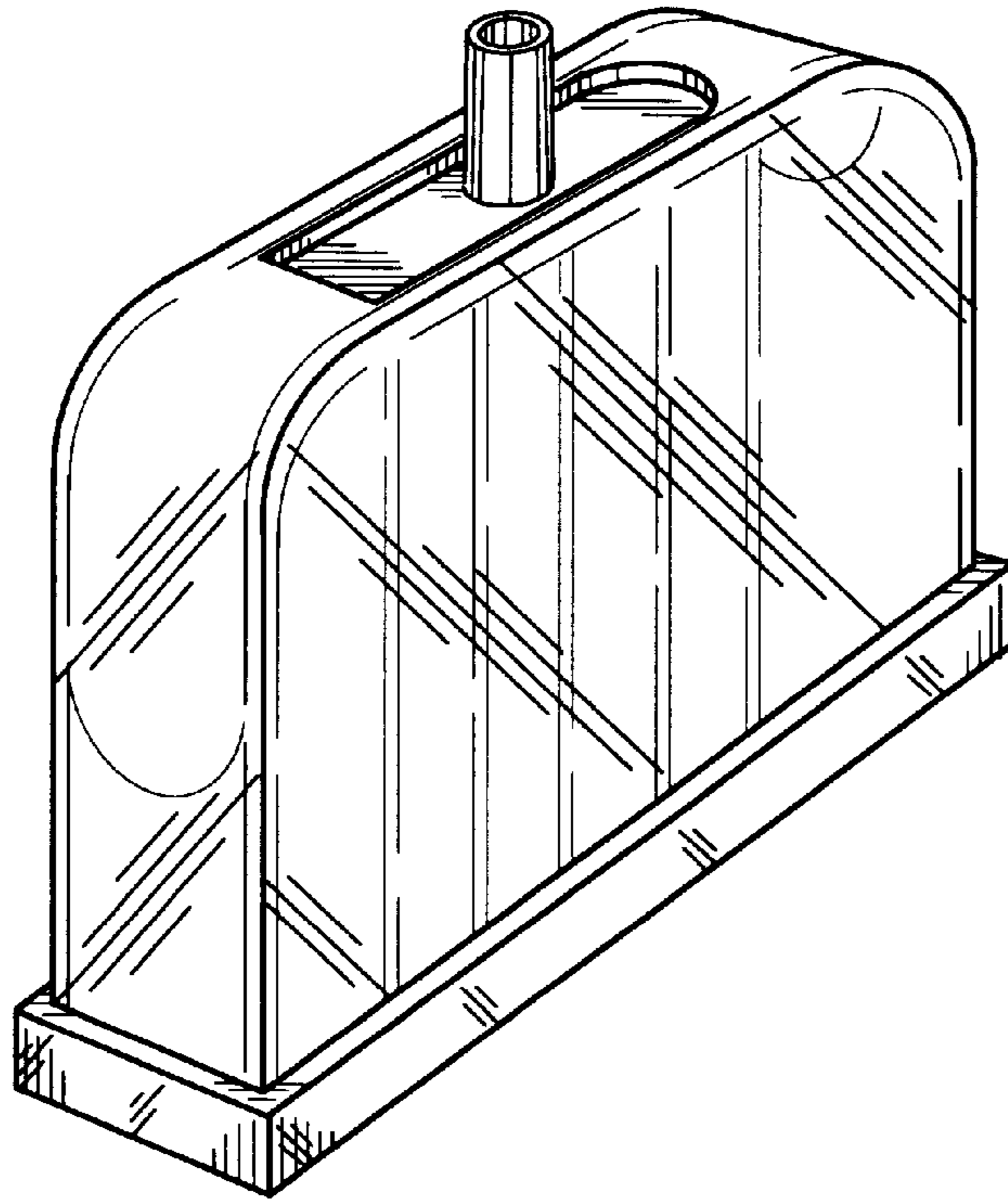


FIG. 1

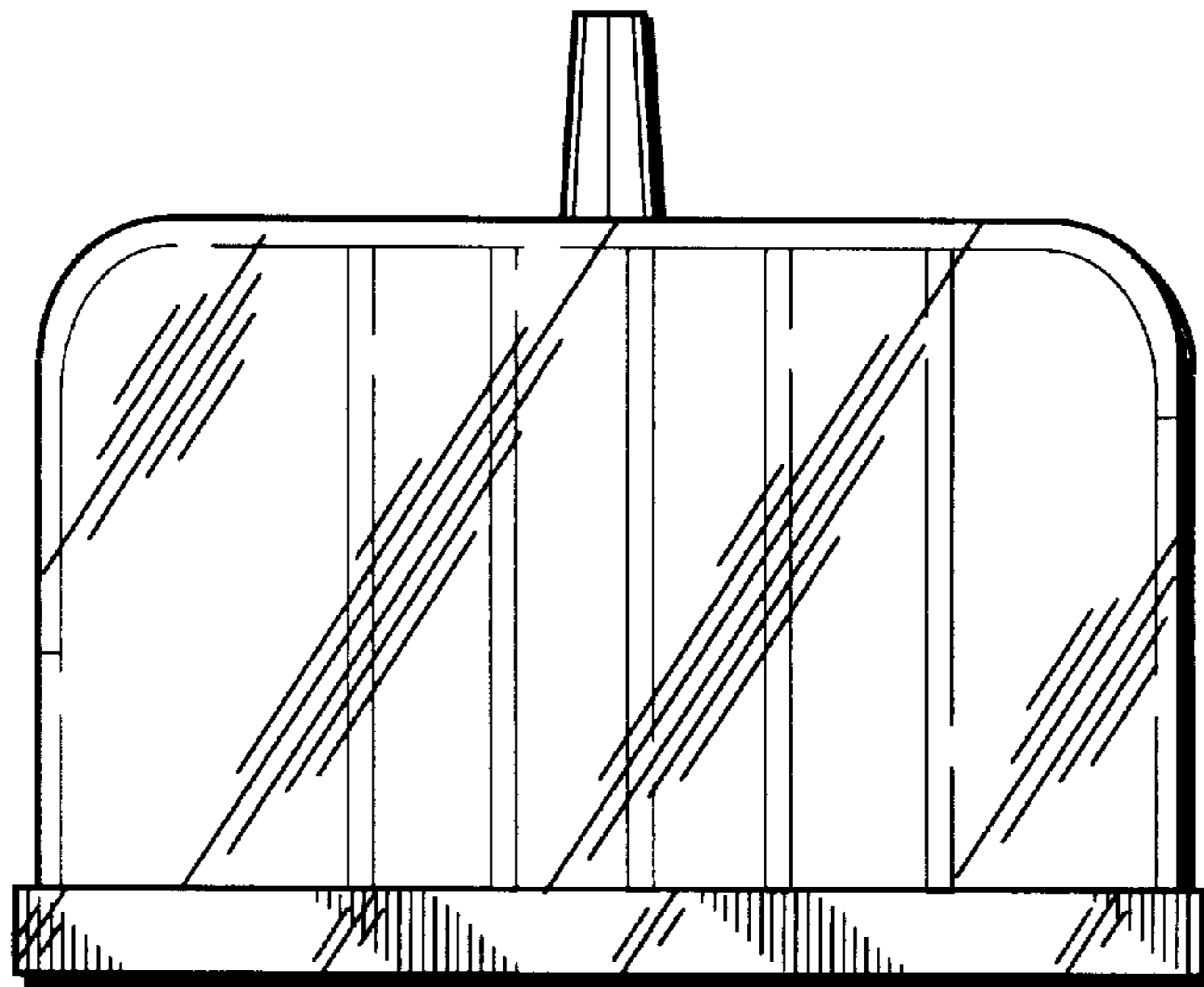


FIG. 2

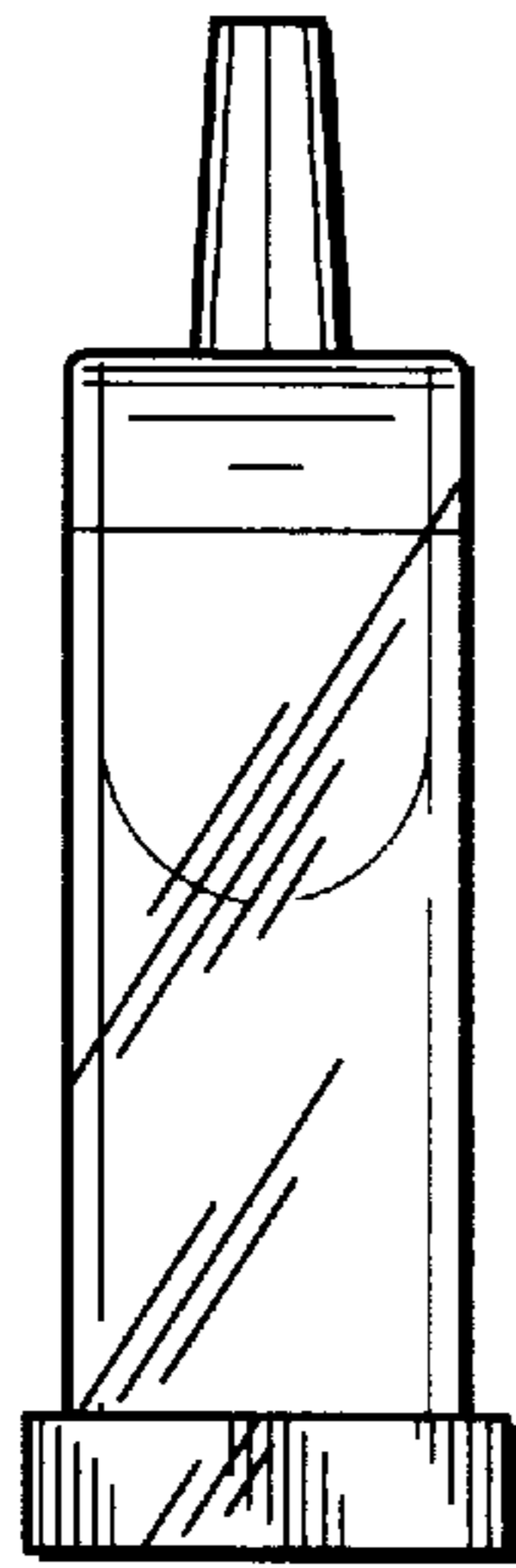


FIG. 3

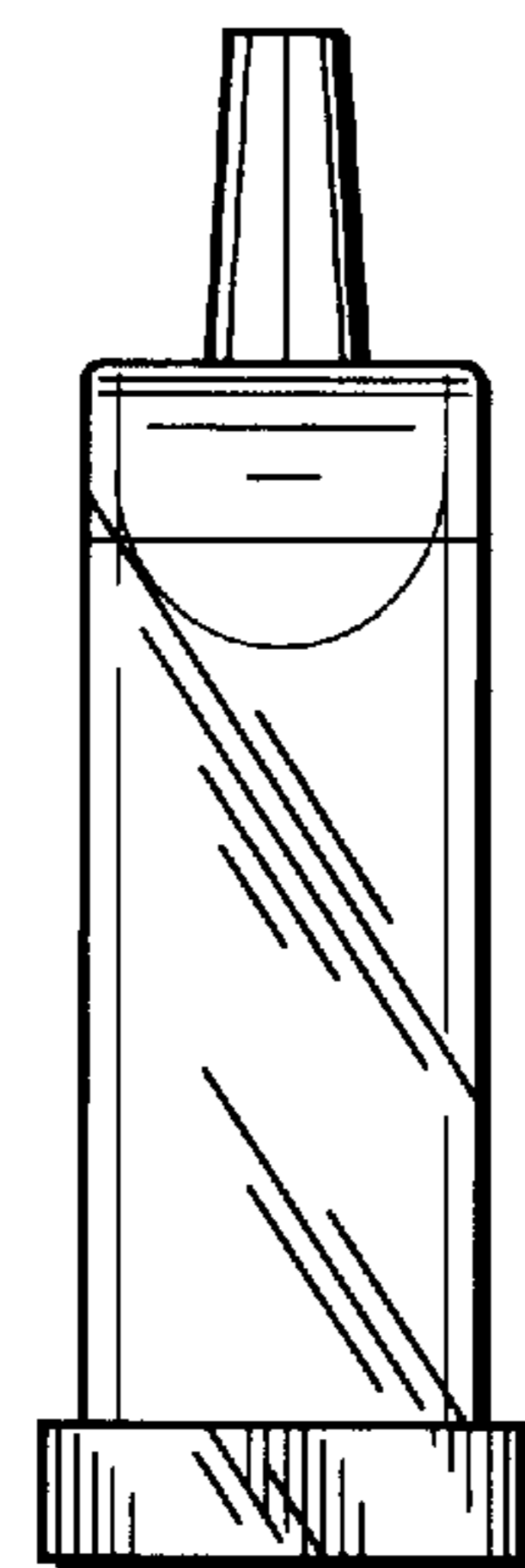


FIG. 4

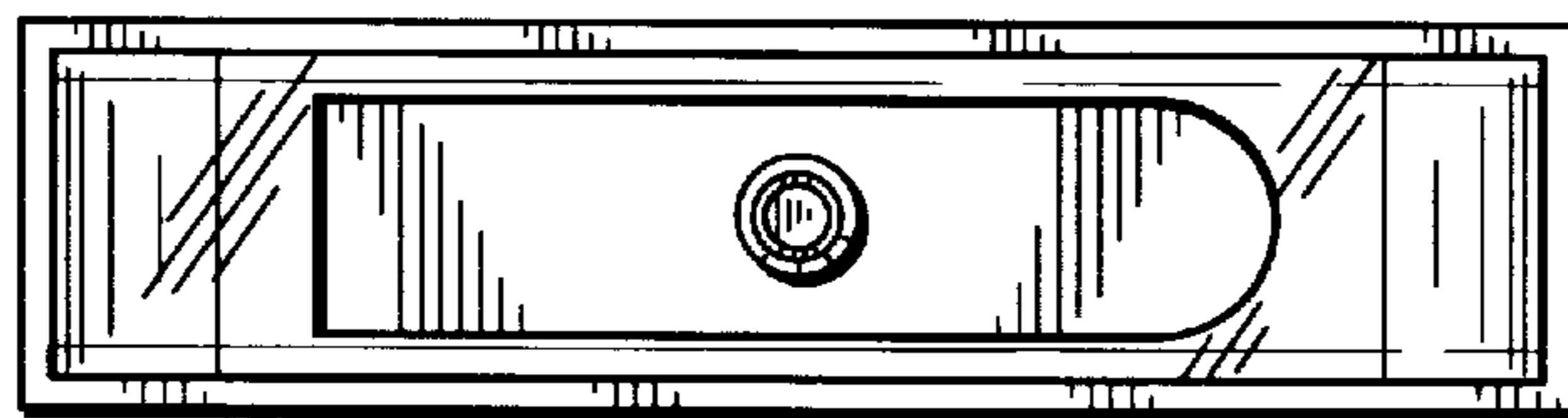


FIG. 5

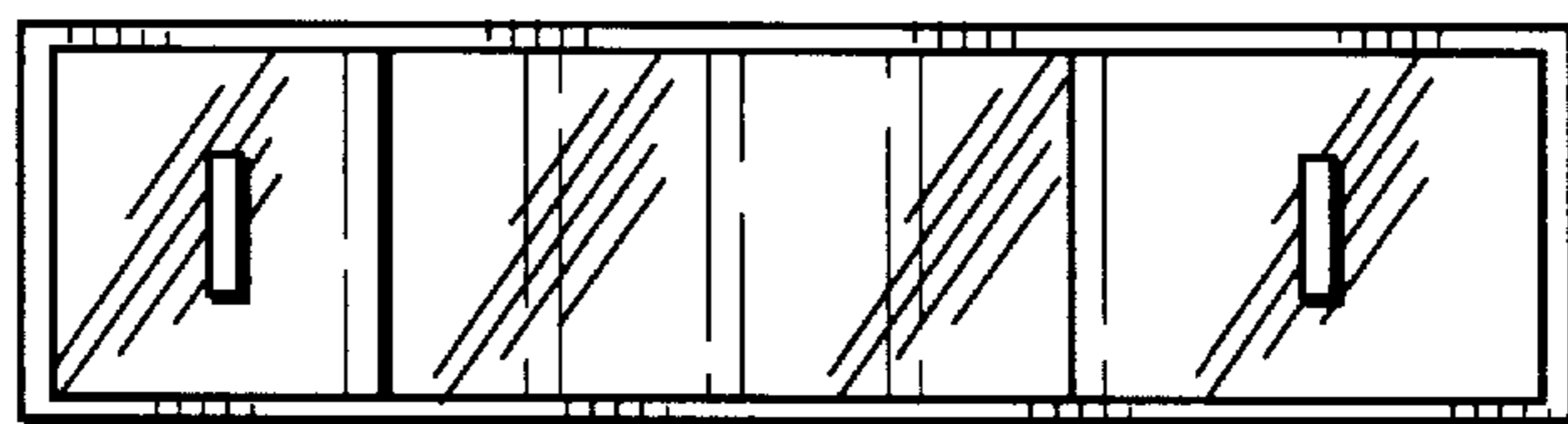


FIG. 6