



US00D423627S

United States Patent [19] Simpson, Sr.

[11] Patent Number: Des. 423,627

[45] Date of Patent: ** Apr. 25, 2000

[54] REAR BOW SIGHT AND MOUNT

[76] Inventor: David W. Simpson, Sr., 3381 East Rd.,
Loxahatchee, Fla. 33470

[**] Term: 14 Years

[21] Appl. No.: 29/100,572

[22] Filed: Feb. 12, 1999

[51] LOC (6) Cl. 22-01

[52] U.S. Cl. D22/107; D22/100; D22/199

[58] Field of Search D22/107, 100,
D22/199; 33/265; 124/87

5,464,003 11/1995 Sherman 124/87
5,524,351 6/1996 Pinson et al. .
5,671,724 9/1997 Priebe .
5,802,726 9/1998 Trosper, Jr. et al. .

Primary Examiner—Louis S. Zarfes
Assistant Examiner—Monica A. Weingart
Attorney, Agent, or Firm—Quarles & Brady LLP

[57] CLAIM

An ornamental design for a rear bow sight and mount, as shown and described.

DESCRIPTION

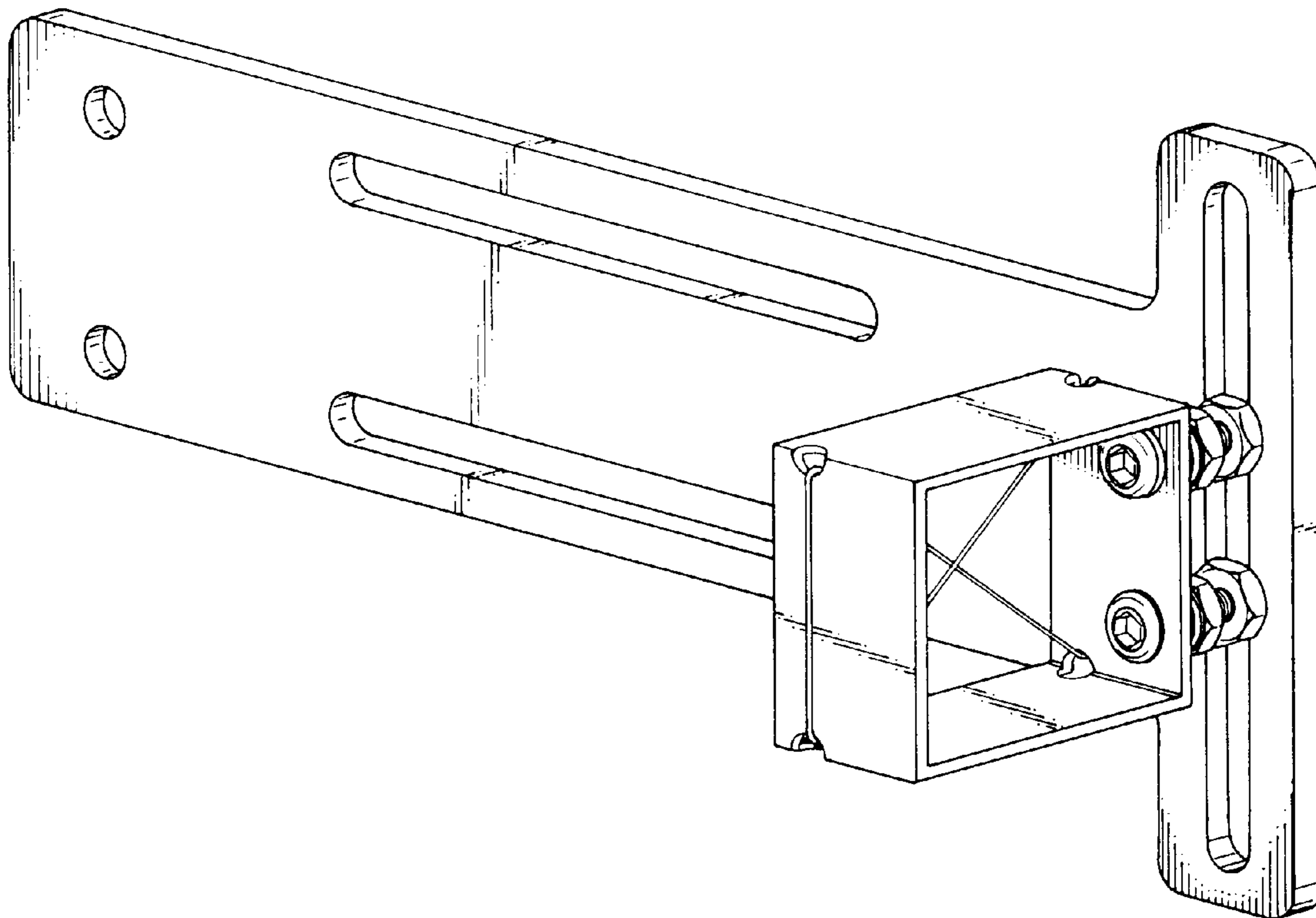
FIG. 1 is a front perspective showing my new design;
FIG. 2 is right side elevation of FIG. 1;
FIG. 3 is a left side elevation of FIG. 1;
FIG. 4 is a top plan of FIG. 1;
FIG. 5 is bottom plan of FIG. 1;
FIG. 6 is a front elevation of FIG. 1;
FIG. 7 is a rear elevation of FIG. 1;
FIG. 8 is a front perspective showing an alternative embodiment of my new design;
FIG. 9 is right side elevation of FIG. 8;
FIG. 10 is a left side elevation of FIG. 8;
FIG. 11 is a top plan of FIG. 8;
FIG. 12 is bottom plan of FIG. 8;
FIG. 13 is a front elevation of FIG. 8; and,
FIG. 14 is a rear elevation of FIG. 8.

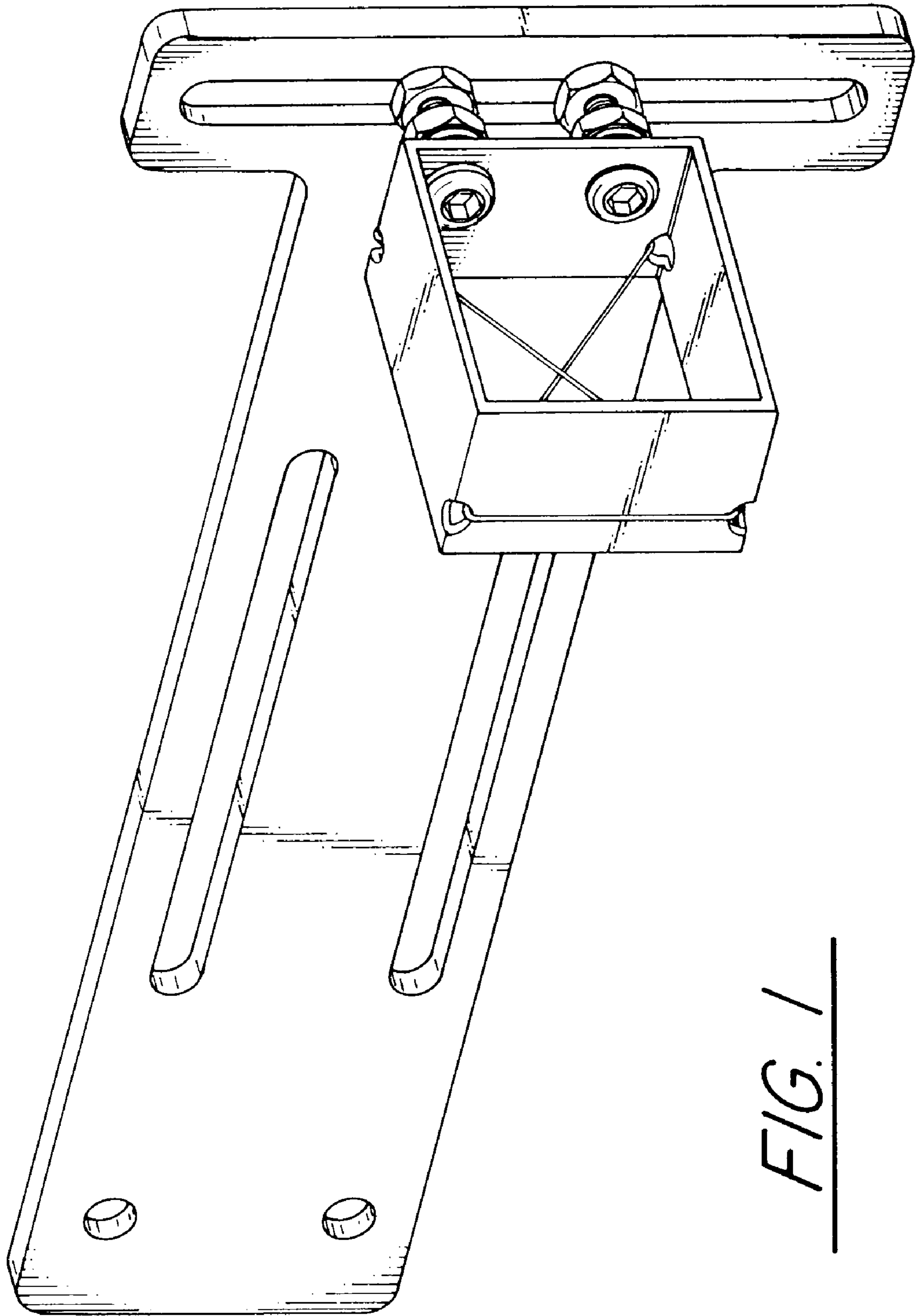
[56] References Cited

U.S. PATENT DOCUMENTS

| | | | | |
|------------|---------|------------------|-------|---------|
| D. 374,473 | 10/1996 | Morrell | | D22/107 |
| 3,715,807 | 2/1973 | Heffer | . | |
| 4,535,544 | 8/1985 | Jones et al. | . | |
| 4,813,150 | 3/1989 | Colvin | | 33/265 |
| 4,910,874 | 3/1990 | Busch | | 129/87 |
| 4,915,088 | 4/1990 | Powers | . | |
| 5,025,565 | 6/1991 | Stenerson et al. | . | |
| 5,040,301 | 8/1991 | Forbis | . | |
| 5,131,153 | 7/1992 | Seales | . | |
| 5,165,178 | 11/1992 | Seely | | 124/87 |
| 5,220,907 | 6/1993 | Lonsdale | . | |
| 5,255,440 | 10/1993 | Rogers | . | |
| 5,379,746 | 1/1995 | Sappington | | 124/87 |
| 5,413,084 | 5/1995 | Haggard | | 124/87 |
| 5,425,177 | 6/1995 | Pacenti | . | |

1 Claim, 6 Drawing Sheets





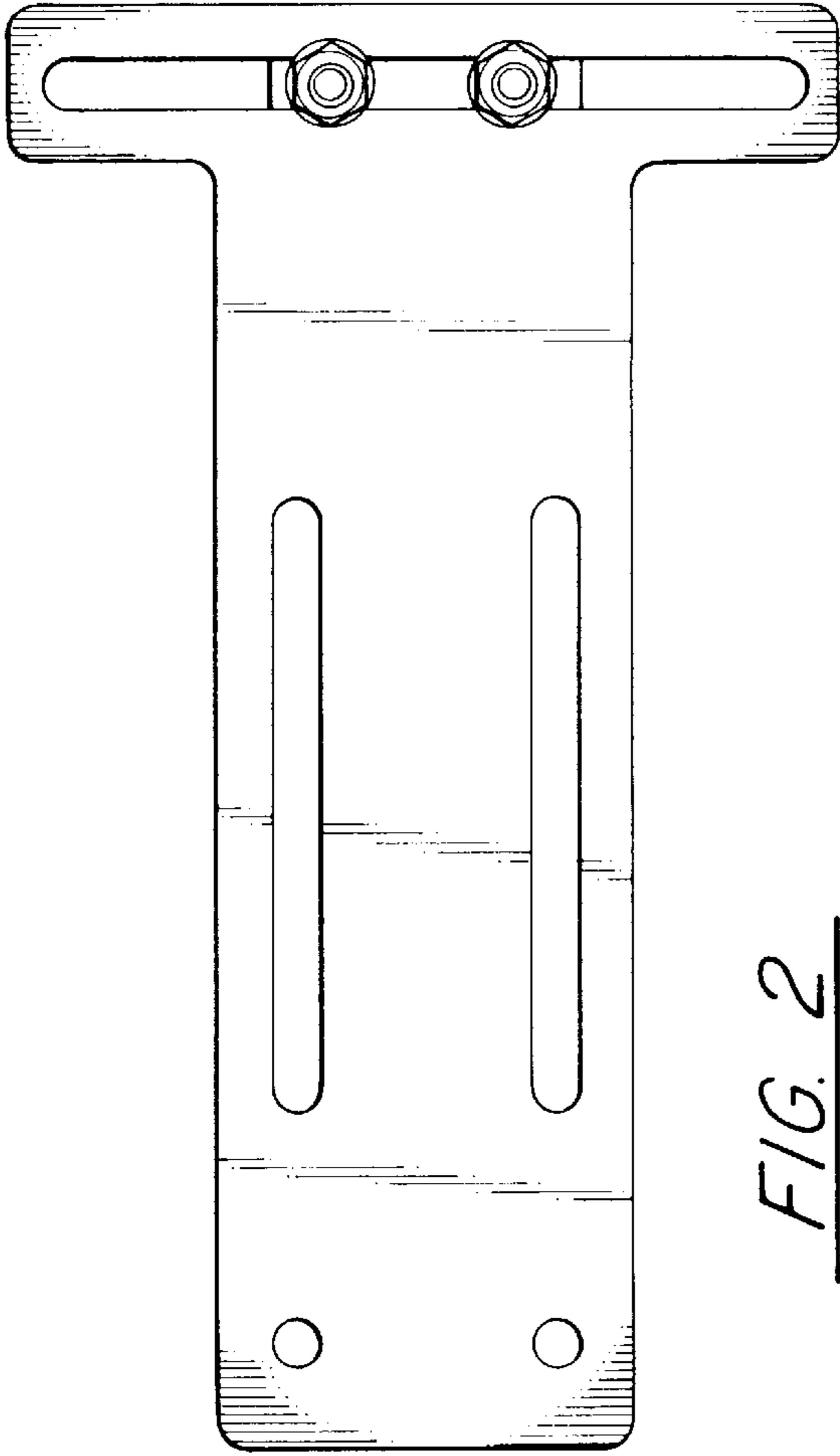


FIG. 2

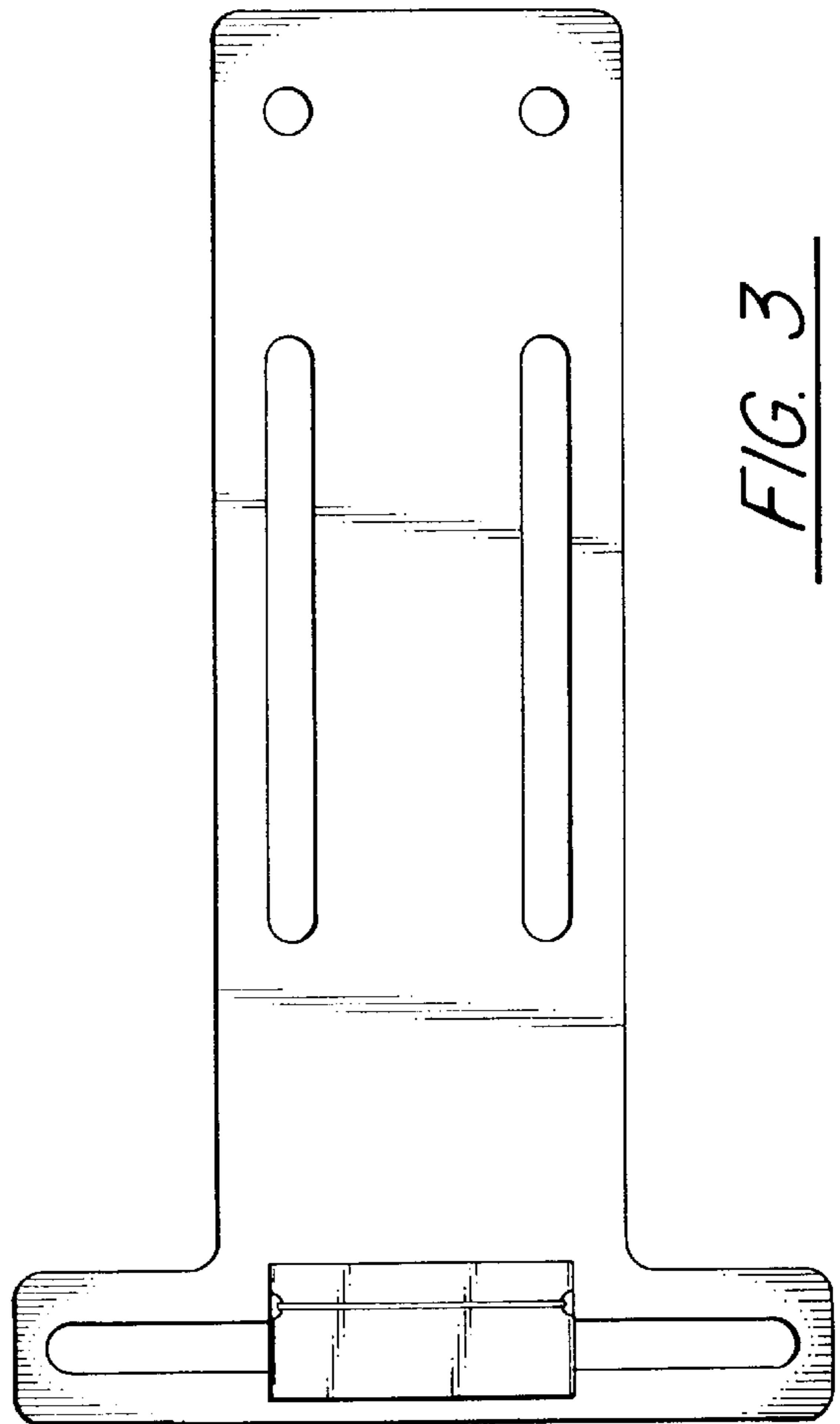


FIG. 3

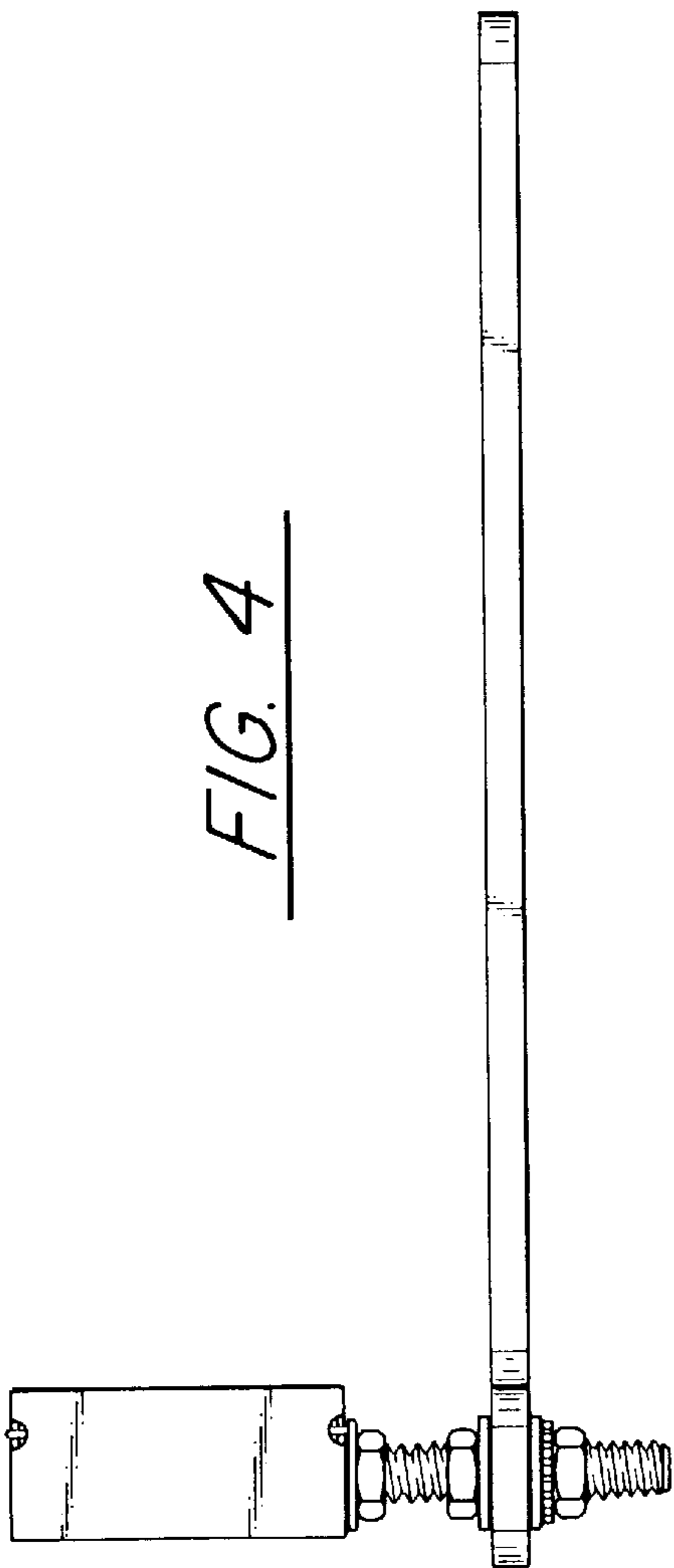


FIG. 4

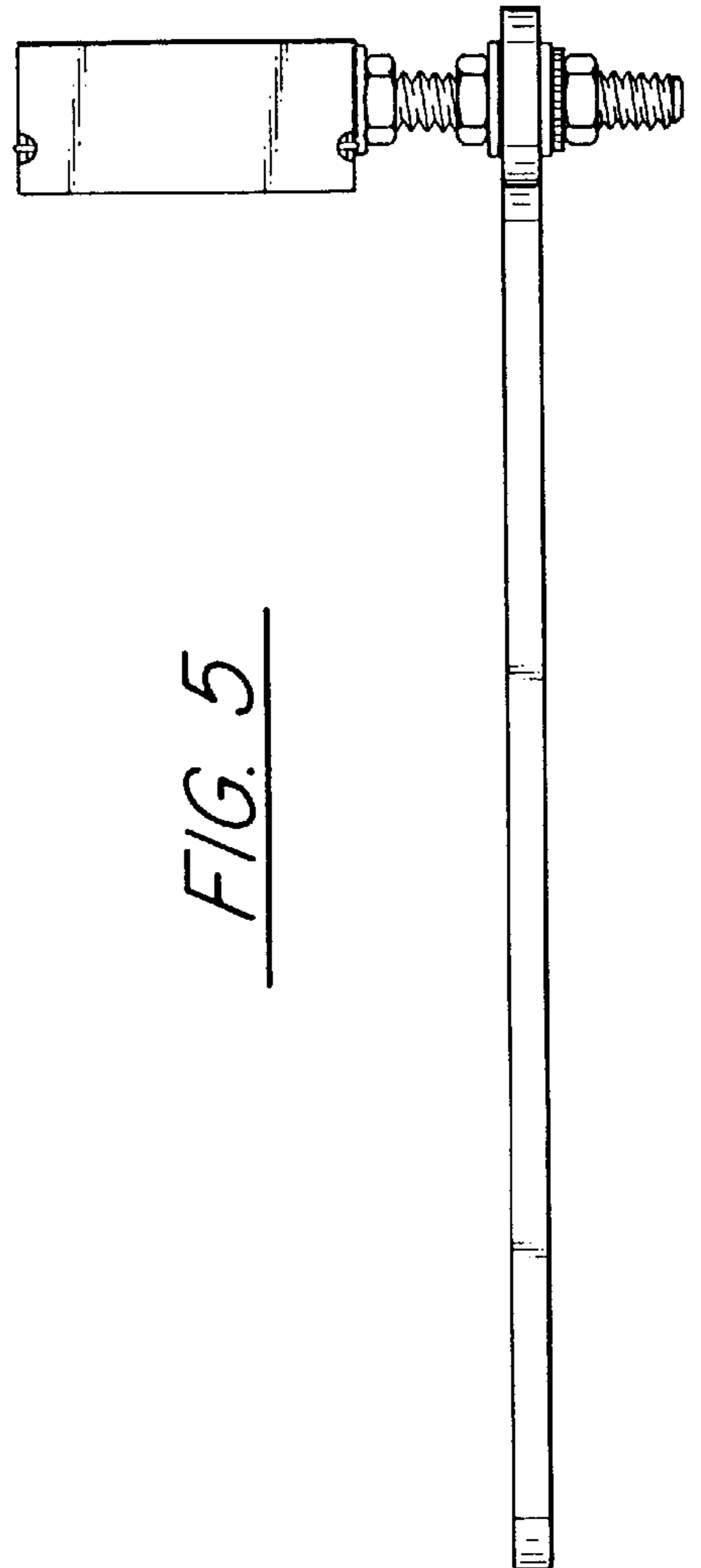


FIG. 5

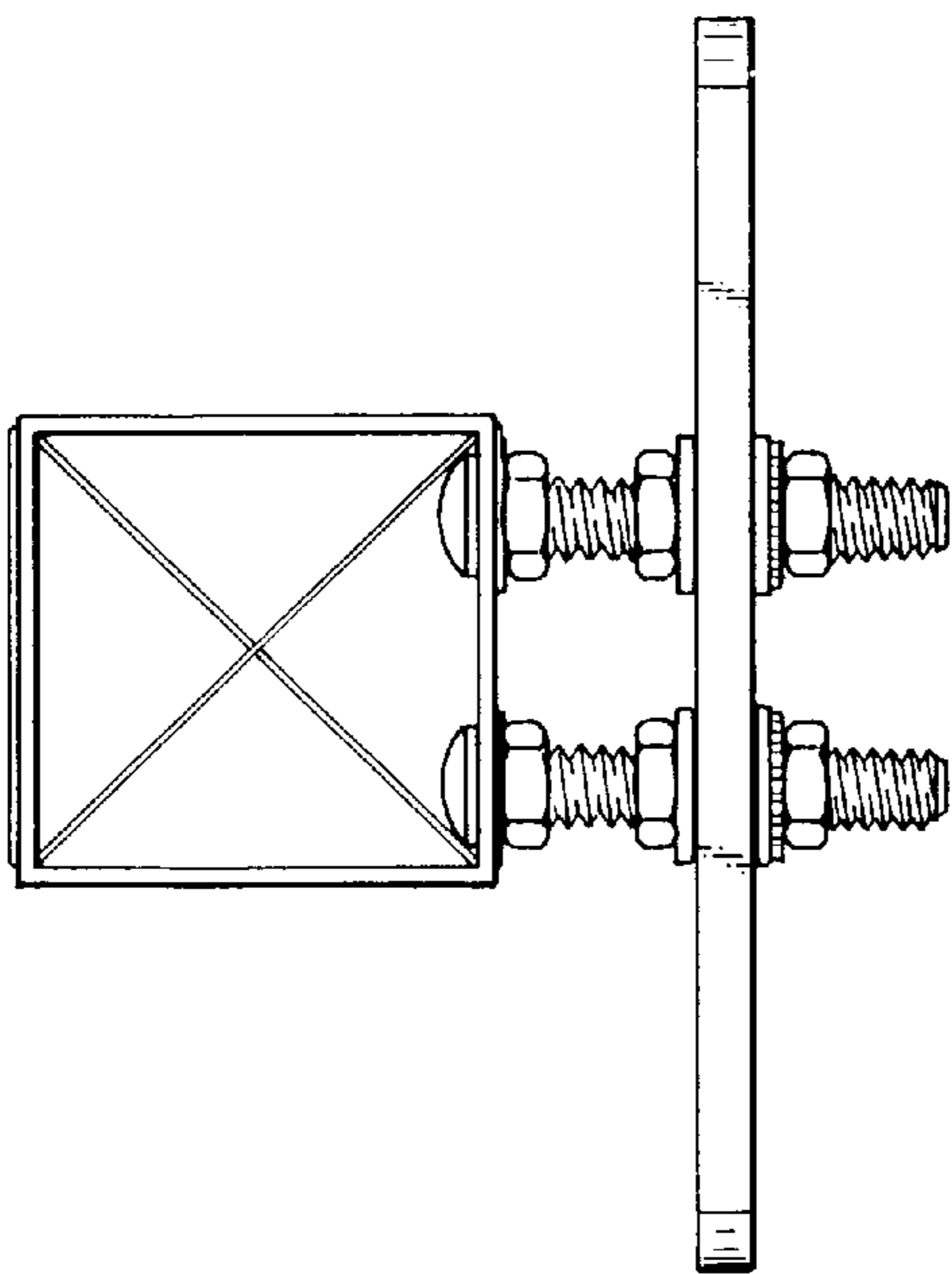


FIG. 6

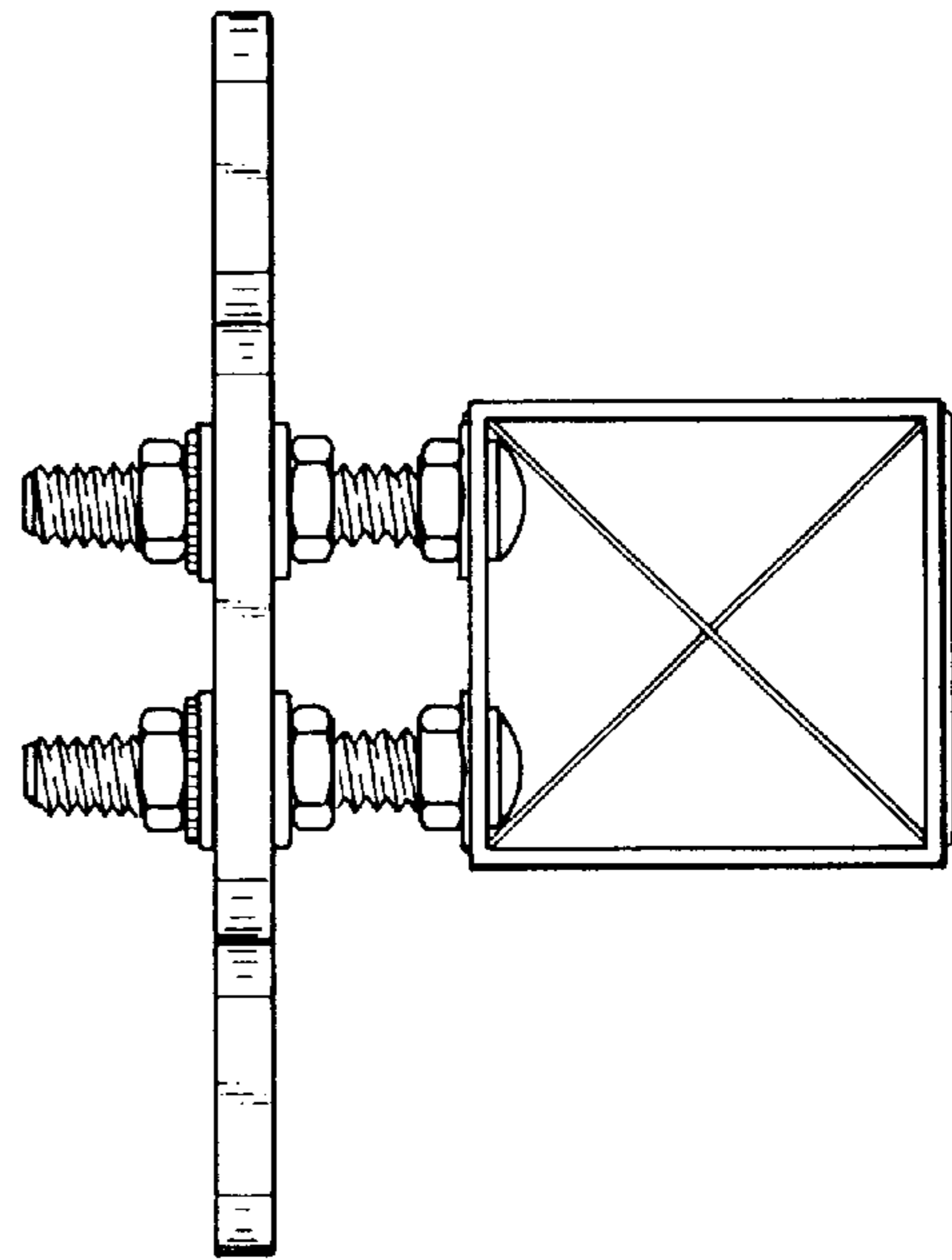


FIG. 7

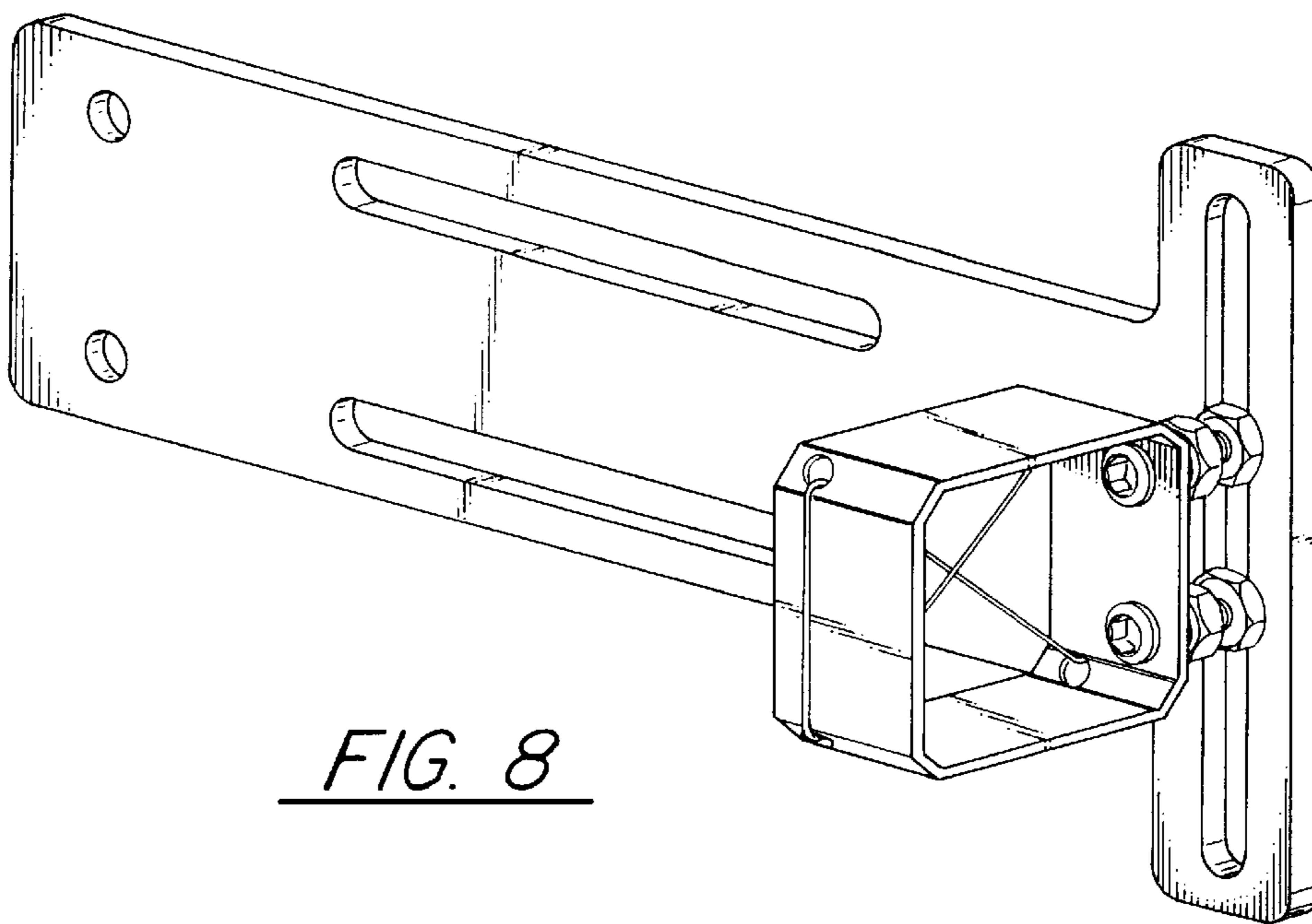


FIG. 8

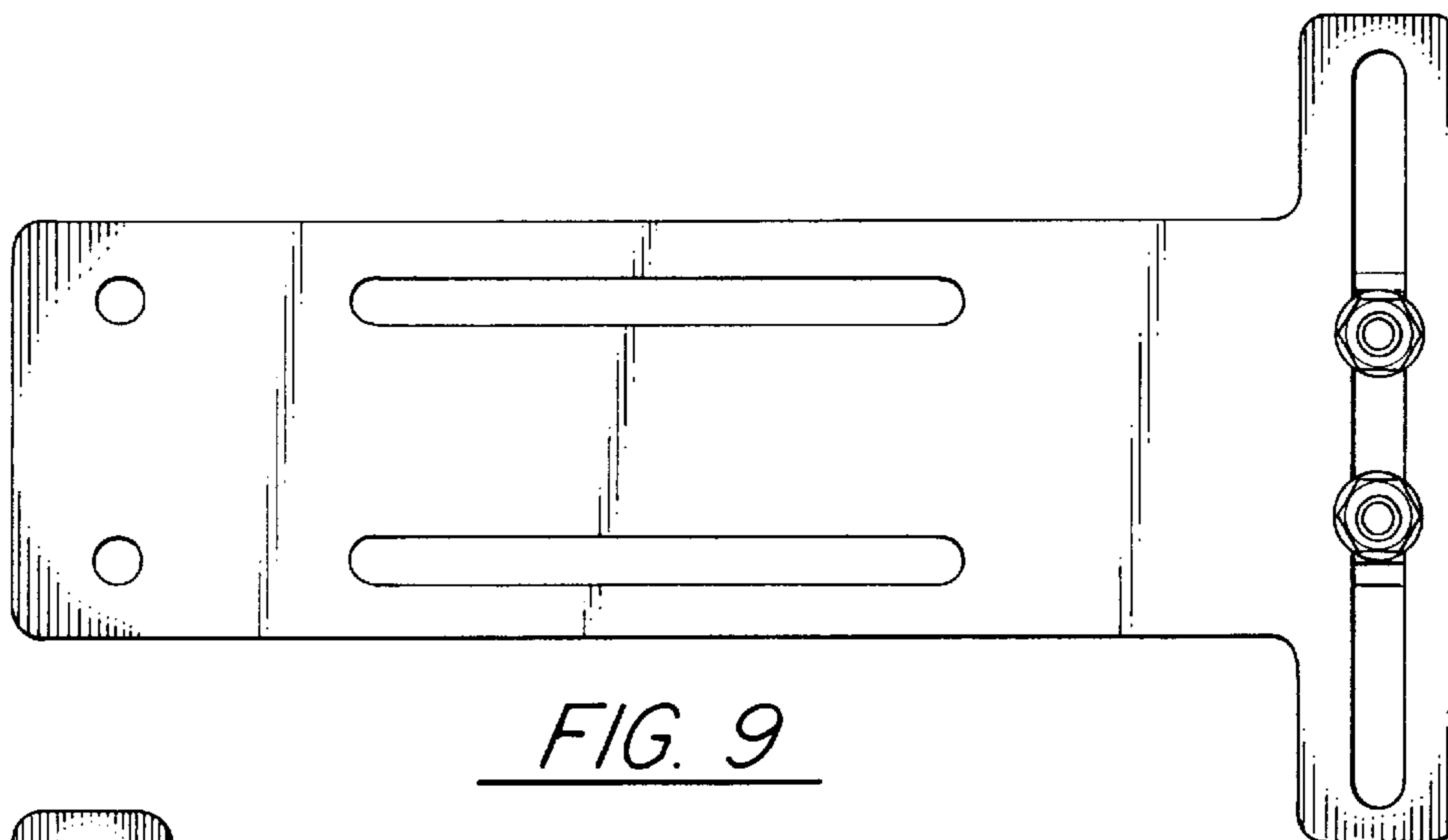


FIG. 9

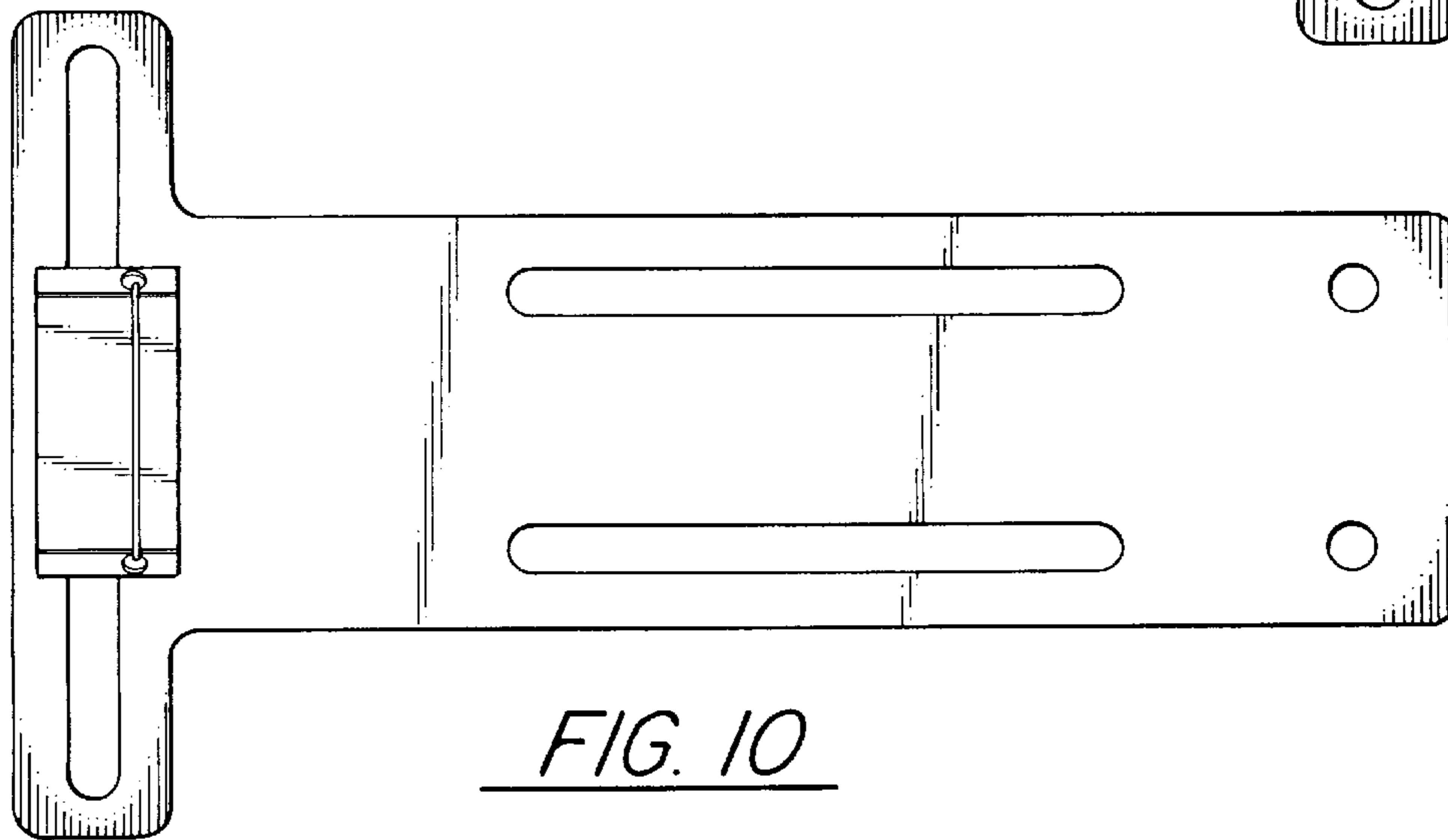


FIG. 10

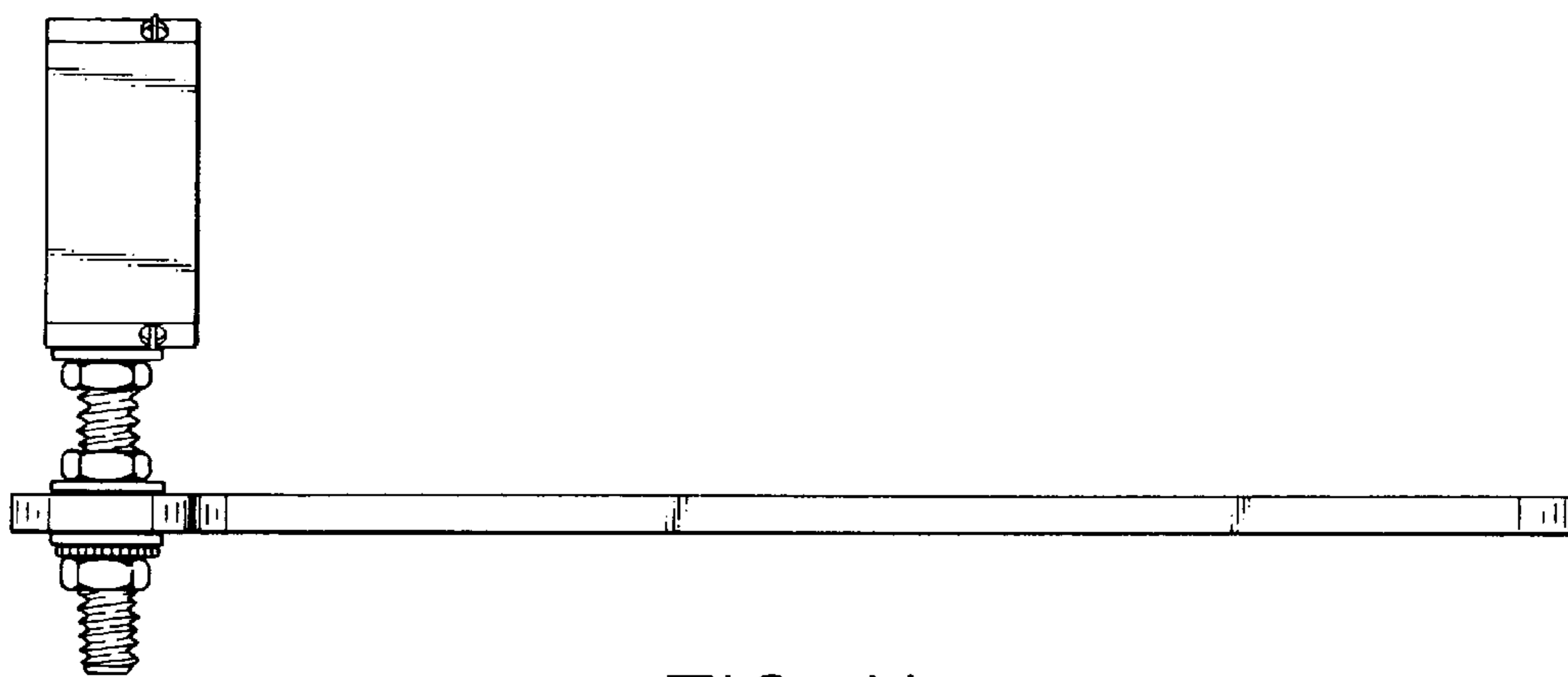


FIG. 11

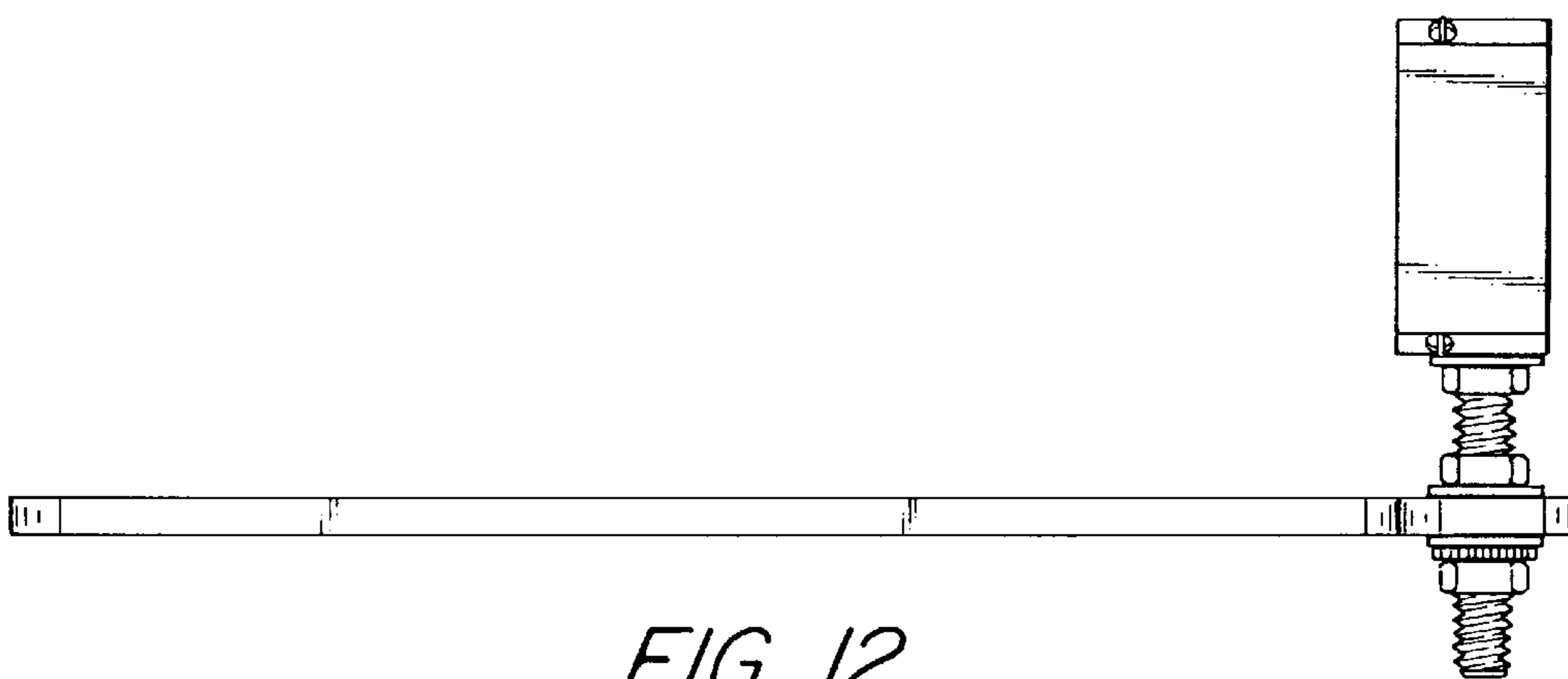


FIG. 12

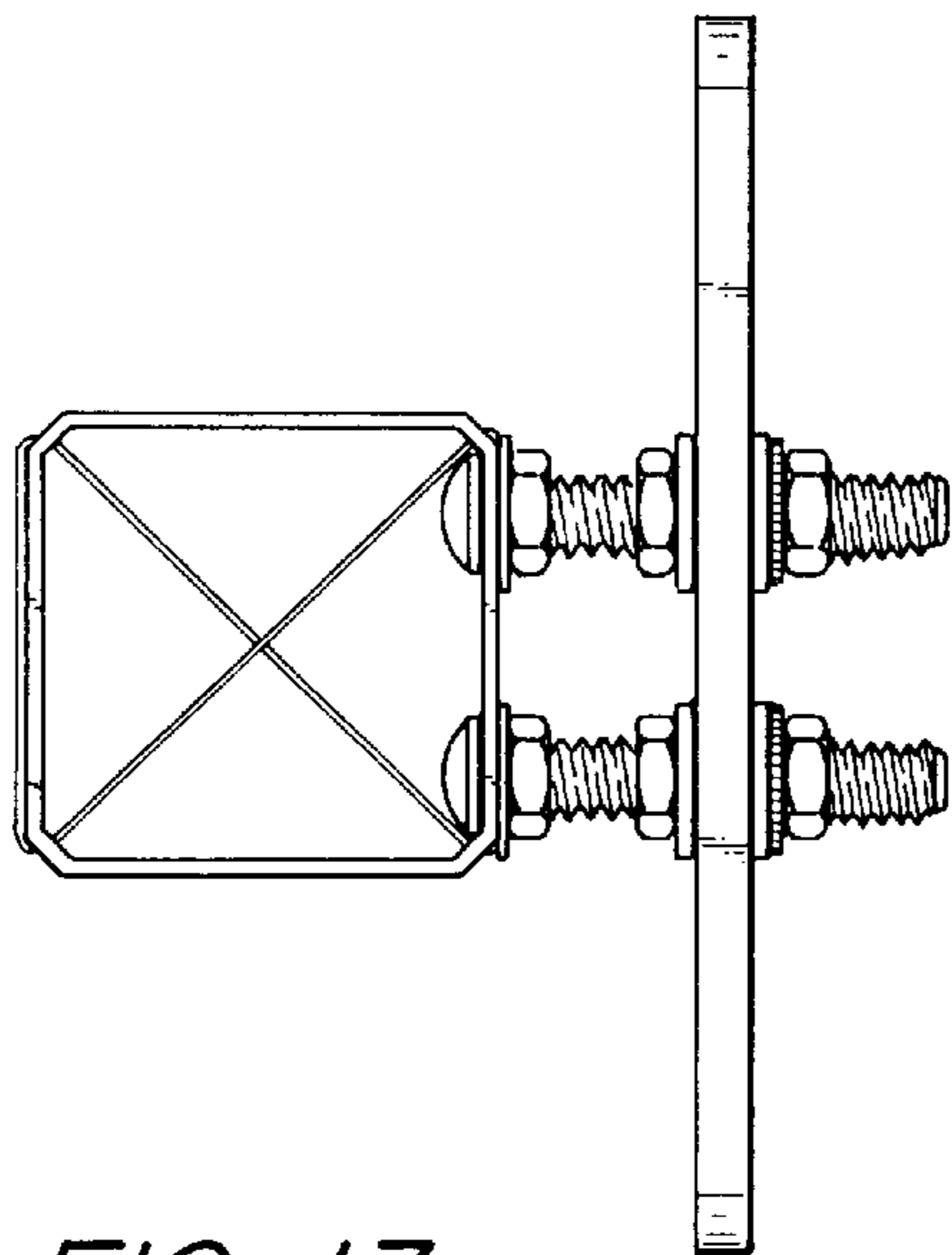


FIG. 13

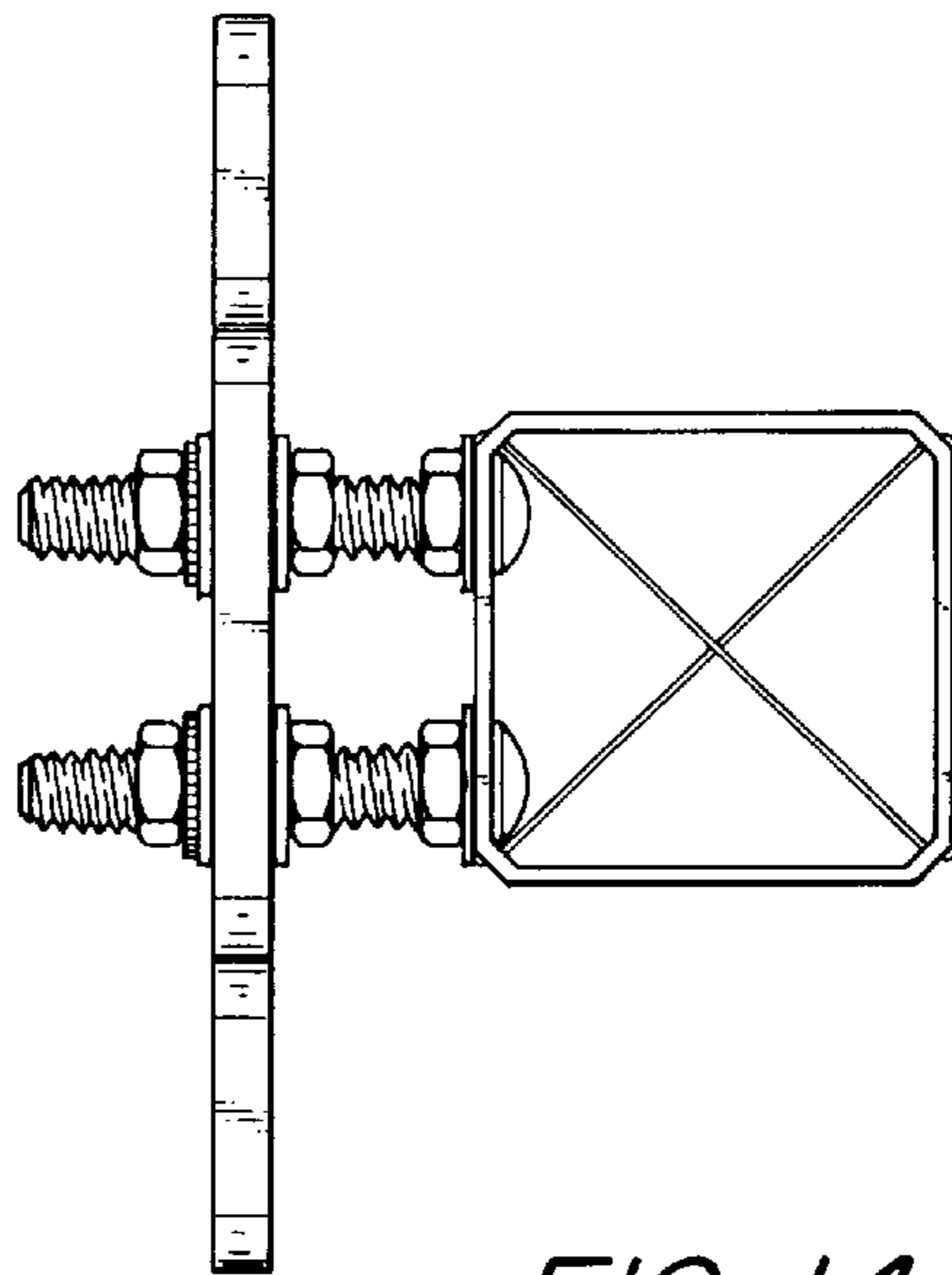


FIG. 14