



US00D423626S

**United States Patent** [19]  
**Marino et al.**

[11] **Patent Number: Des. 423,626**

[45] **Date of Patent: \*\* Apr. 25, 2000**

[54] **TEE PEE LEG CONNECTOR**

[75] Inventors: **Jeffrey R. Marino**, Fishkill; **Anthony G. Topping**, Carmel, both of N.Y.

[73] Assignee: **Vegherb, LLC**, Carmel, N.Y.

[\*\*] Term: **14 Years**

[21] Appl. No.: **29/105,966**

[22] Filed: **Jun. 3, 1999**

[51] **LOC (6) Cl.** ..... **21-04**

[52] **U.S. Cl.** ..... **D21/839**

[58] **Field of Search** ..... D21/834-840;  
135/100, 124-128, 136, 143, 156, 117-119;  
D8/360, 382, 385, 388

[56] **References Cited**

**U.S. PATENT DOCUMENTS**

D. 208,013 6/1967 Carr-Harris ..... D21/840

D. 263,730 4/1982 Oribin ..... D21/839  
D. 287,098 12/1986 Wilson et al. .... D8/388  
5,439,016 8/1995 Grahn ..... 135/100

*Primary Examiner*—Sandra L. Morris  
*Attorney, Agent, or Firm*—Bruce E. Lilling

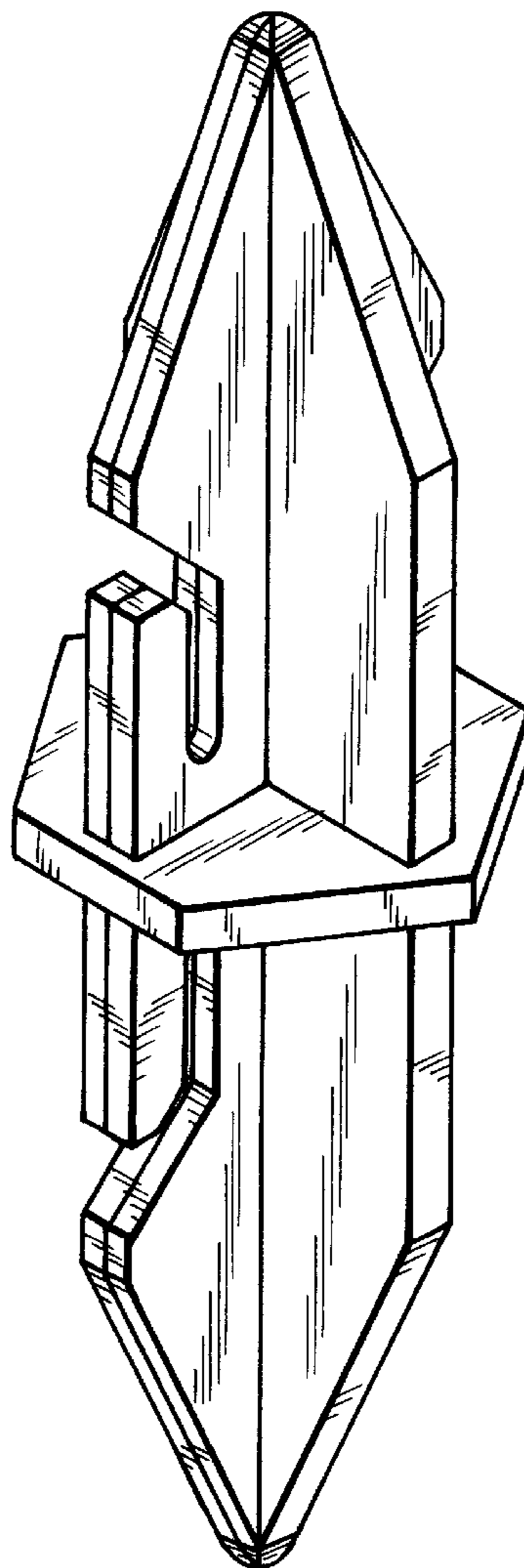
[57] **CLAIM**

The ornamental design for a tee pee leg connector, as shown and described.

**DESCRIPTION**

FIG. 1 is a perspective view of our new and novel design; FIG. 2 is a top view of our new and novel design, the bottom view being a mirror image thereof; FIG. 3 is a front view of our new and novel design, the rear view being a mirror image thereof; and, FIG. 4 is a right view of our new and novel design, the left view being a mirror image thereof.

**1 Claim, 2 Drawing Sheets**



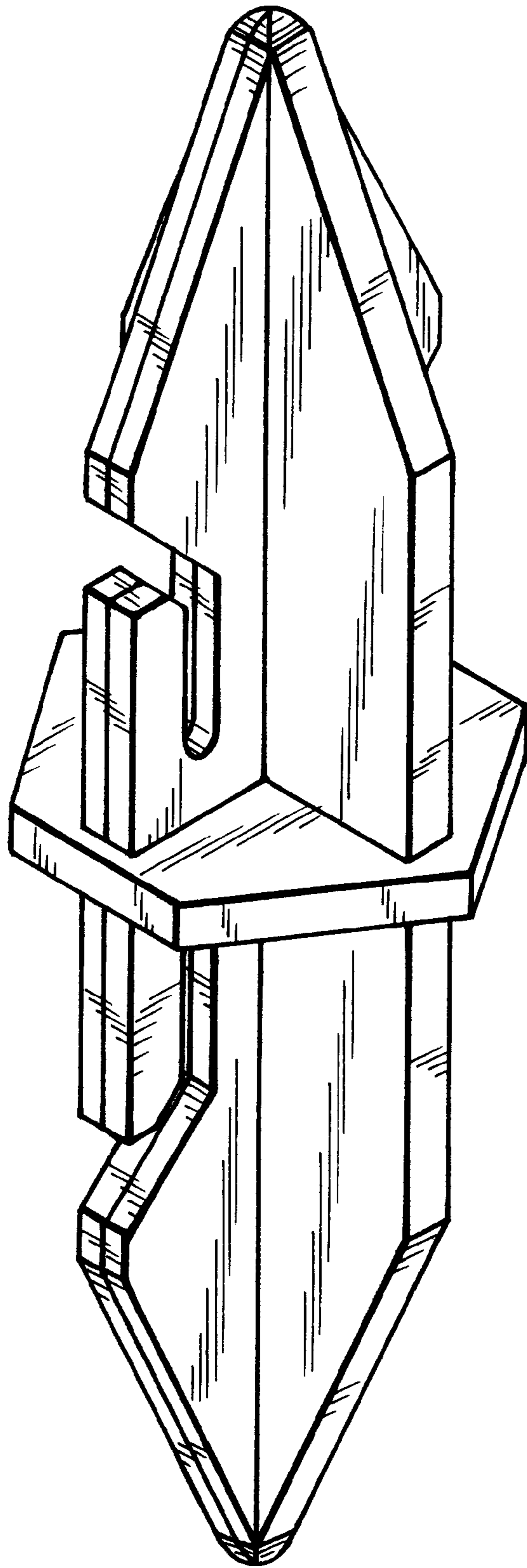


FIG. 1

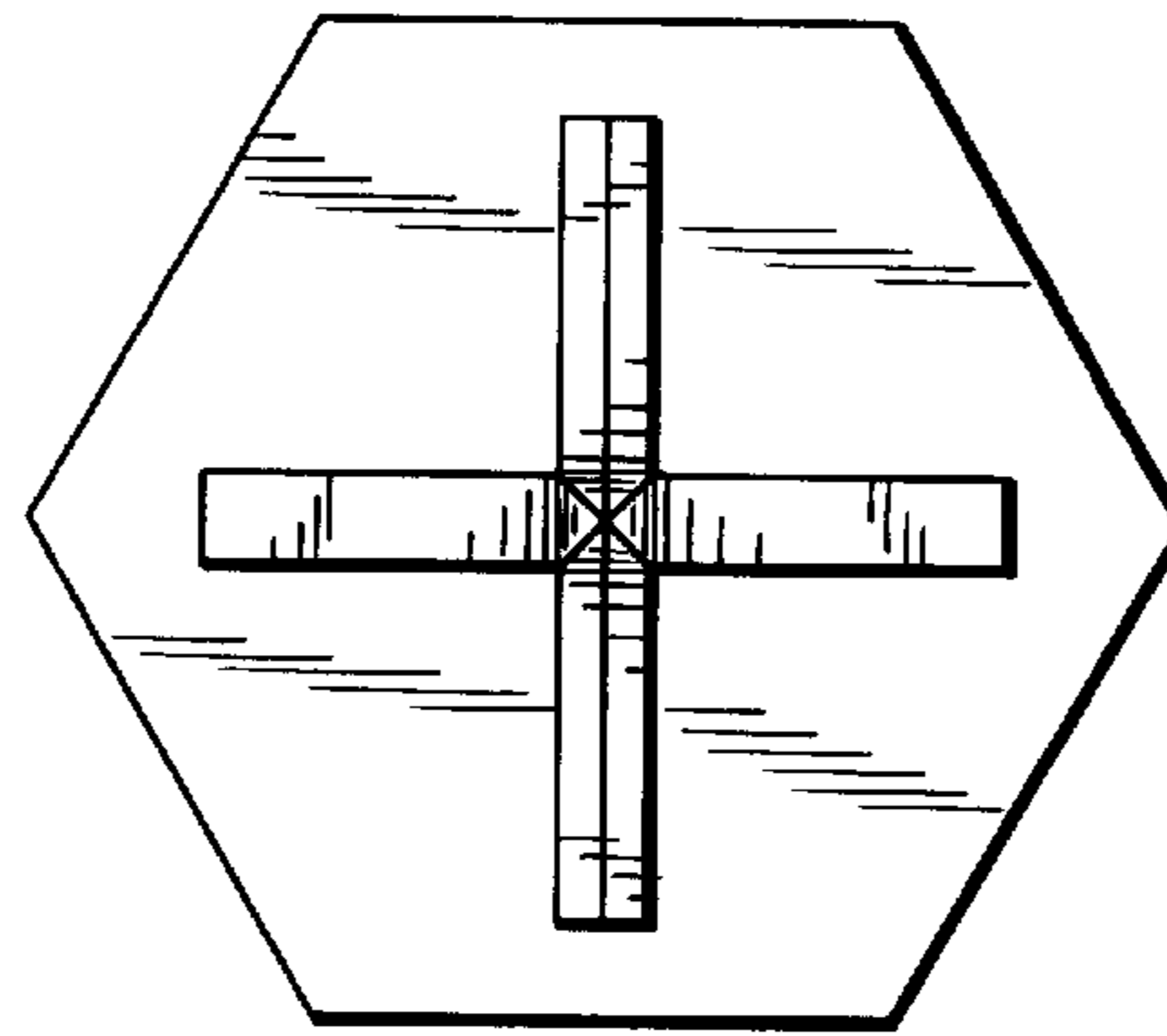


FIG. 2

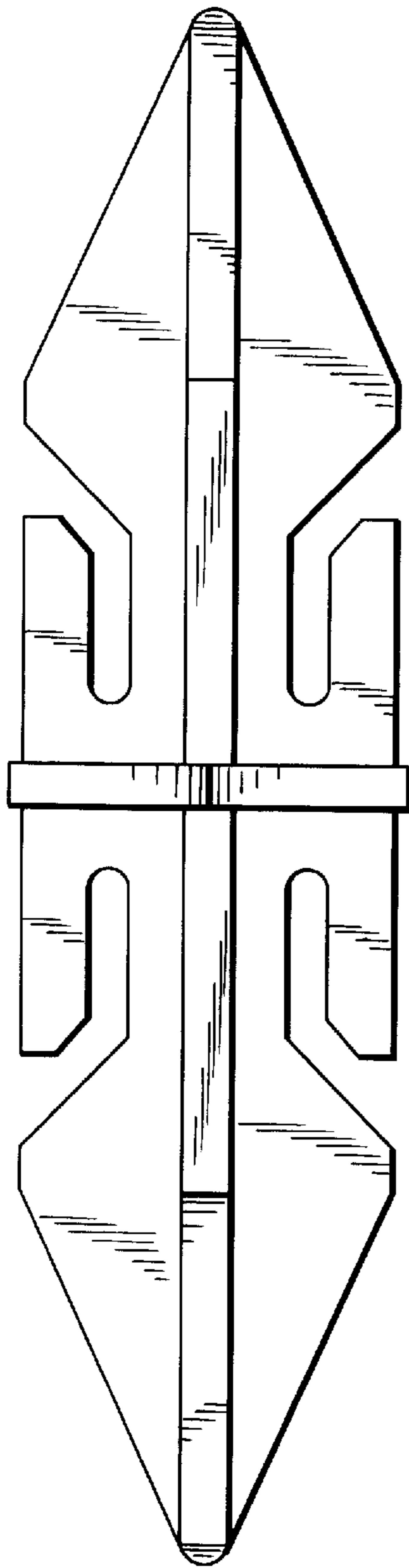


FIG. 3

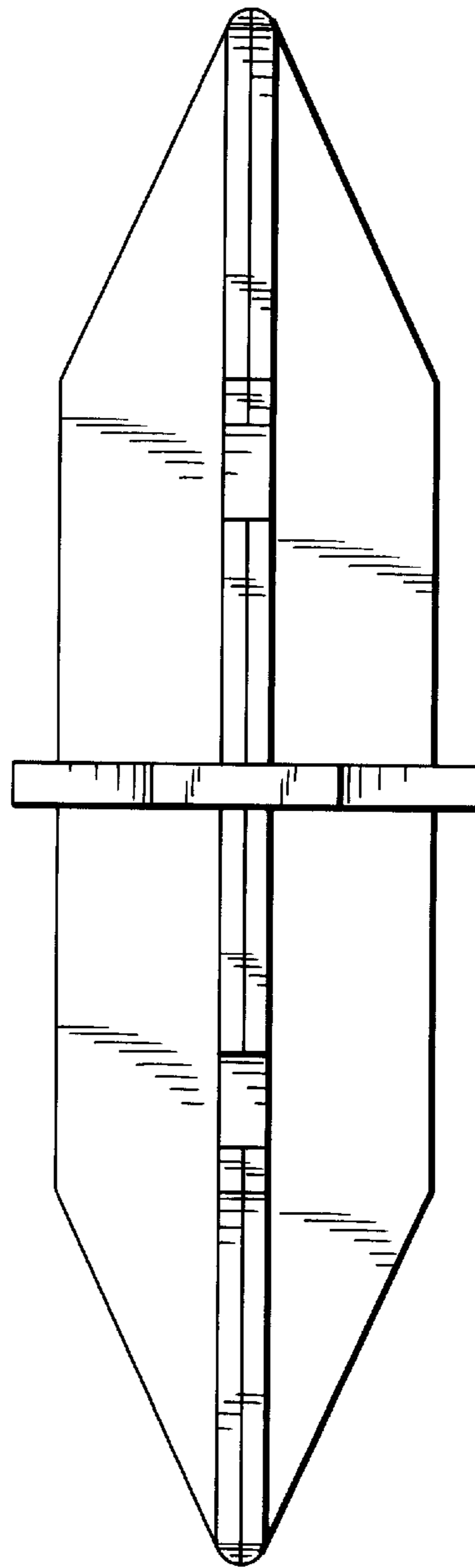


FIG. 4