



US00D423625S

United States Patent [19]

Sutton et al.

[11] Patent Number: Des. 423,625

[45] Date of Patent: ** Apr. 25, 2000

[54] **INVERTED ARCH DECK**

[75] Inventors: **Wesley D. Sutton**, Fort Payne; **Kim Blackwood**, Blountsville, both of Ala.

[73] Assignee: **Playcore, Inc.**, Janesville, Wis.

[**] Term: **14 Years**

[21] Appl. No.: **29/104,322**

[22] Filed: **May 3, 1999**

[51] **LOC (6) Cl.** **21-03**

[52] **U.S. Cl.** **D21/826**

[58] **Field of Search** D21/823-827;
472/35, 36; 211/181.1, 199; D25/1, 17

[56] **References Cited**

U.S. PATENT DOCUMENTS

D. 187,138	2/1960	Highberger	D21/823
D. 215,061	8/1969	Wormser	D21/823
D. 219,825	2/1971	Wormser	D21/823
D. 288,833	3/1987	Skalka	D21/823
D. 355,013	1/1995	Schechner	D21/823
3,133,400	12/1963	Emond	211/189

Primary Examiner—Mitchell Siegel

Attorney, Agent, or Firm—Welsh & Katz, Ltd.

[57] **CLAIM**

The ornamental design for a inverted arch deck, as shown and described.

DESCRIPTION

FIG. 1 is a perspective view of the inverted arch deck design of the subject invention;
 FIG. 2 is a top plan view of the inverted arch deck design of the subject invention of FIG. 1;
 FIG. 3 is a bottom plan view of the inverted arch deck design of FIG. 1;
 FIG. 4 is a right side elevational view of the inverted arch deck design of FIG. 1, the opposite side being identical;
 FIG. 5 is a front elevational view of the inverted arch deck design of FIG. 1, the opposite side being identical;
 FIG. 6 is a perspective view of the inverted arch deck design of FIG. 1, The broken line showing of the curved top portion shown for illustrative purposes only and forming no part of the claimed design; and,
 FIG. 7 is a perspective view of the inverted arch deck design of FIG. 1, The broken line showing of the covered top portion shown for illustrative purposes only and forming no part of the claimed design.

1 Claim, 2 Drawing Sheets

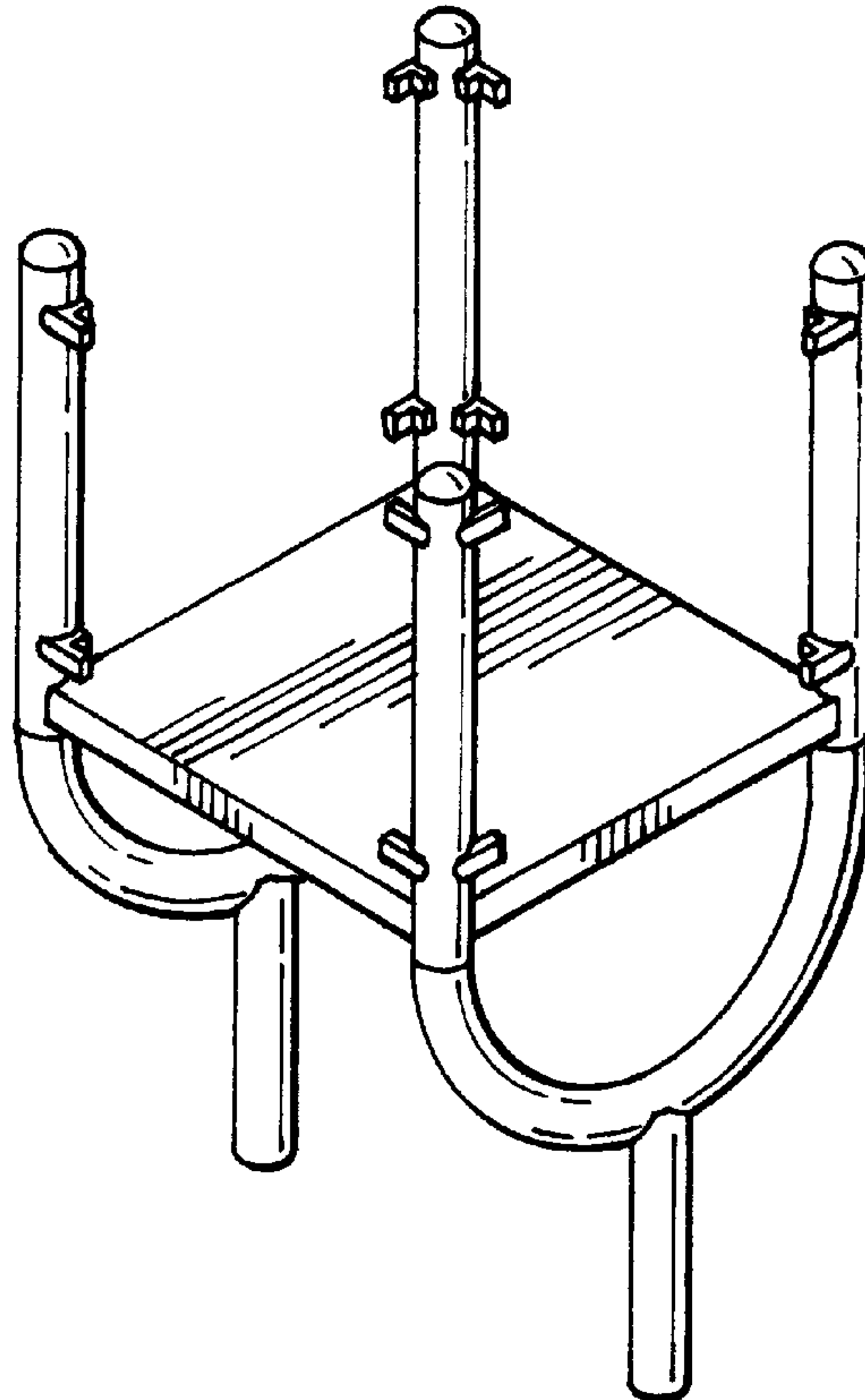


FIG.1

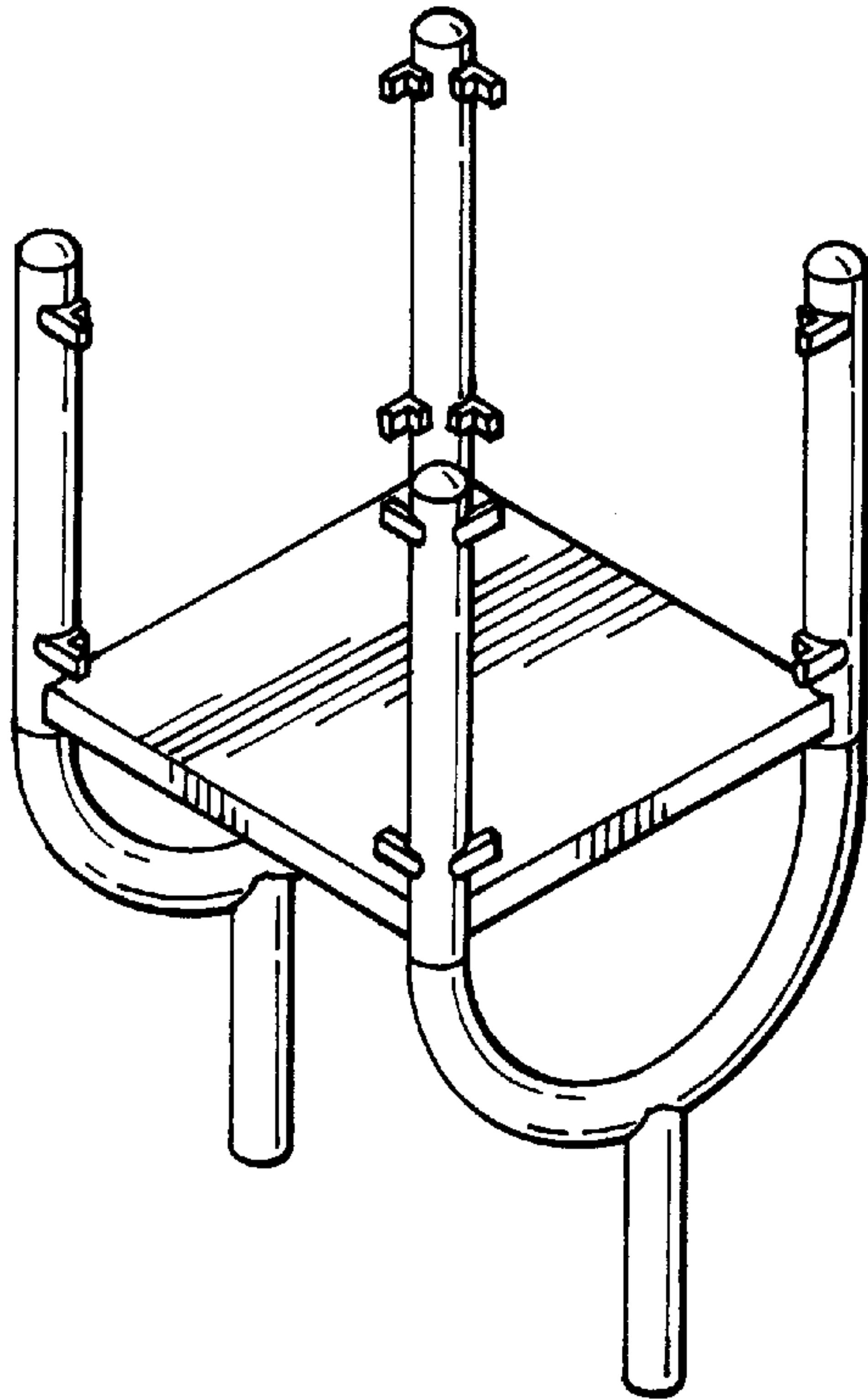


FIG.2

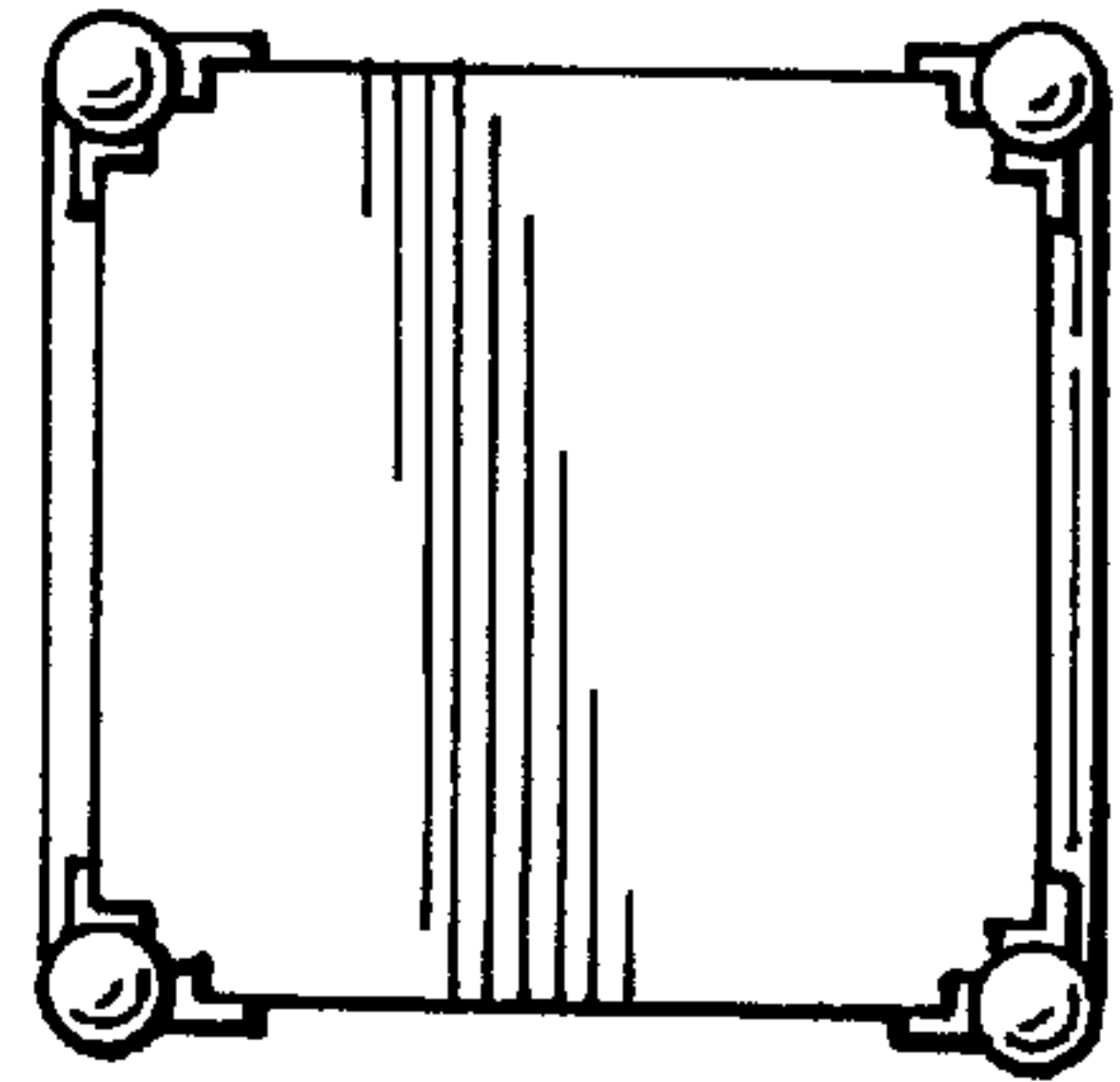


FIG.3

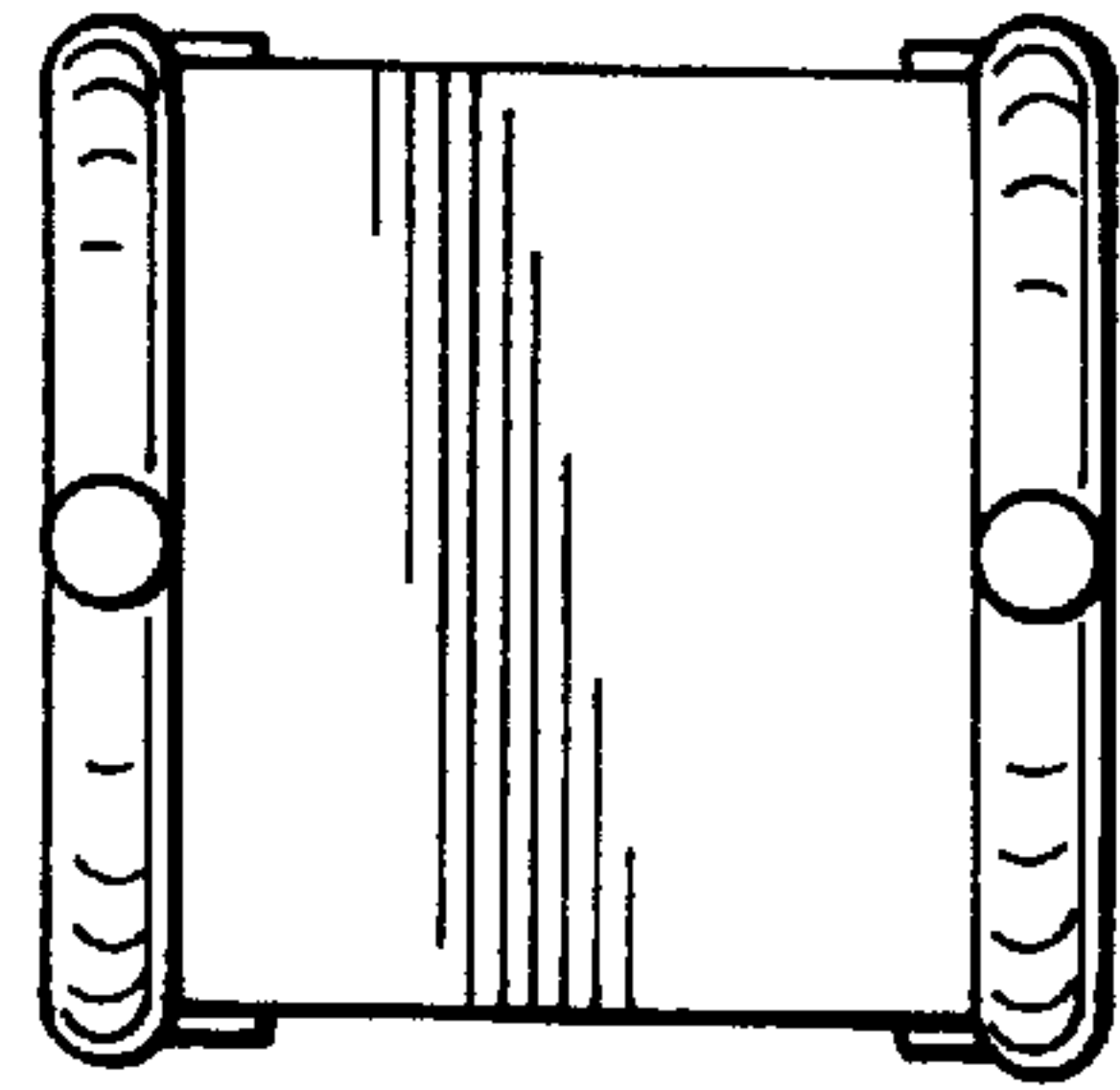


FIG.4

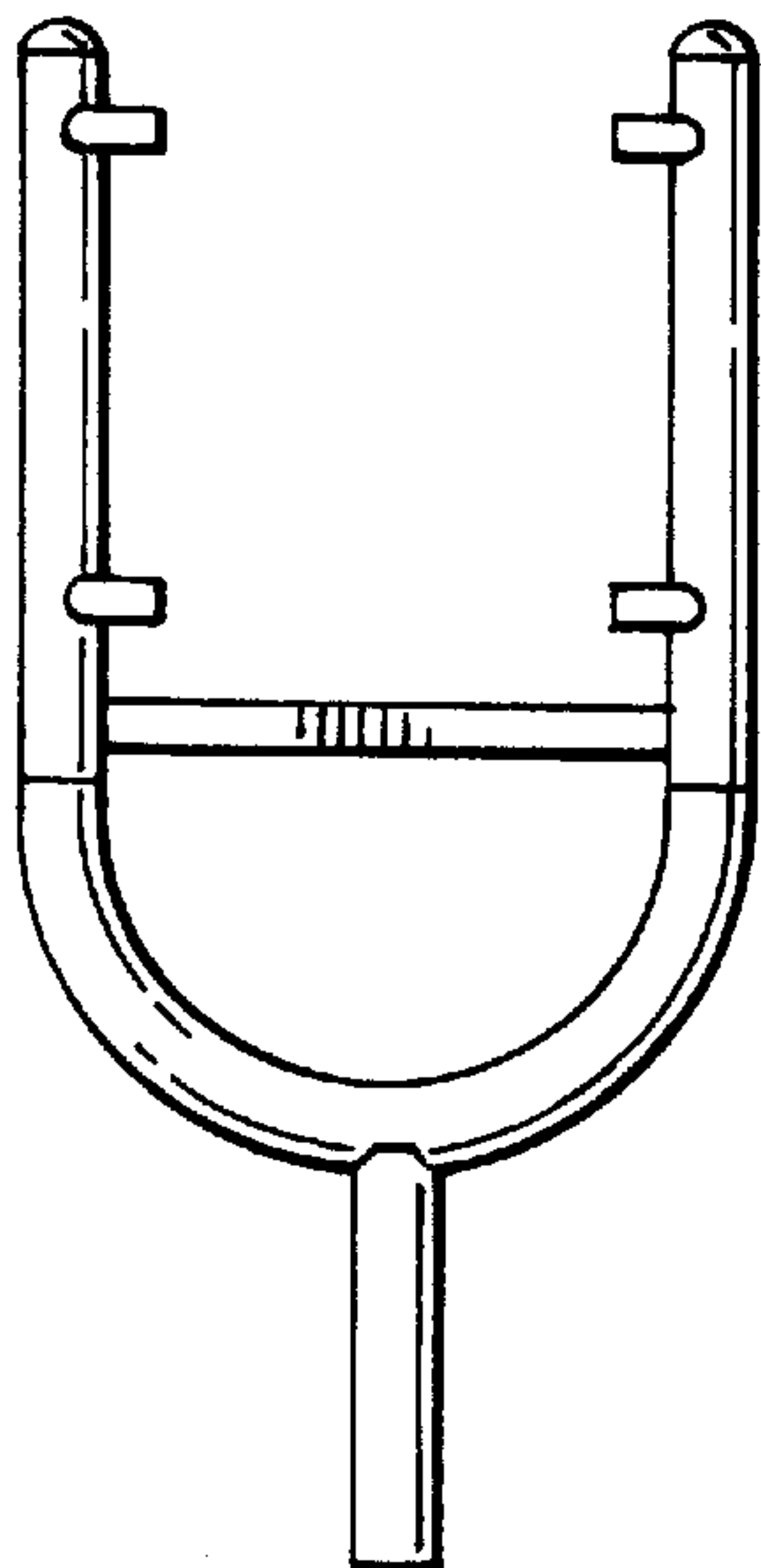


FIG.5

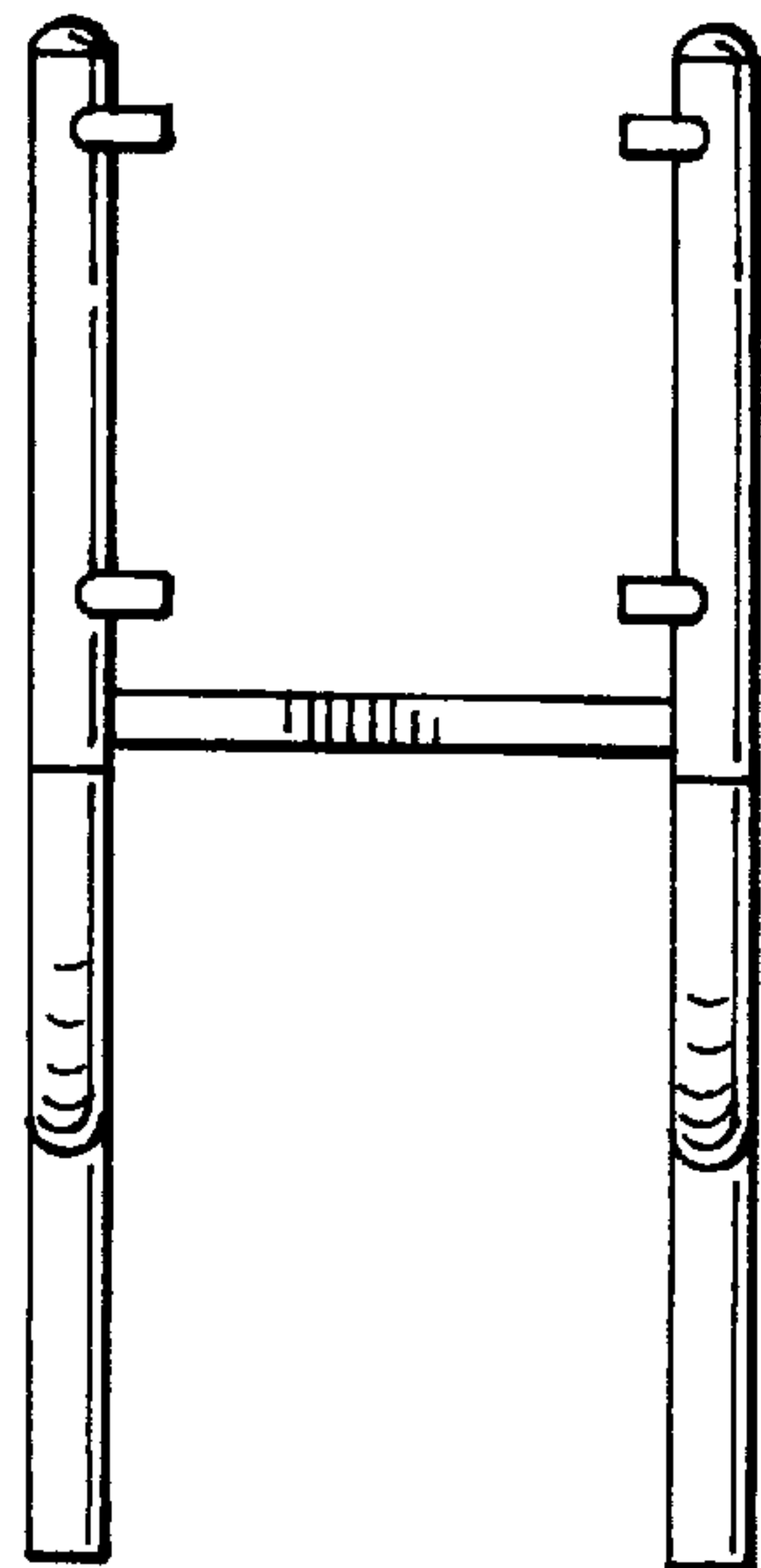


FIG.6

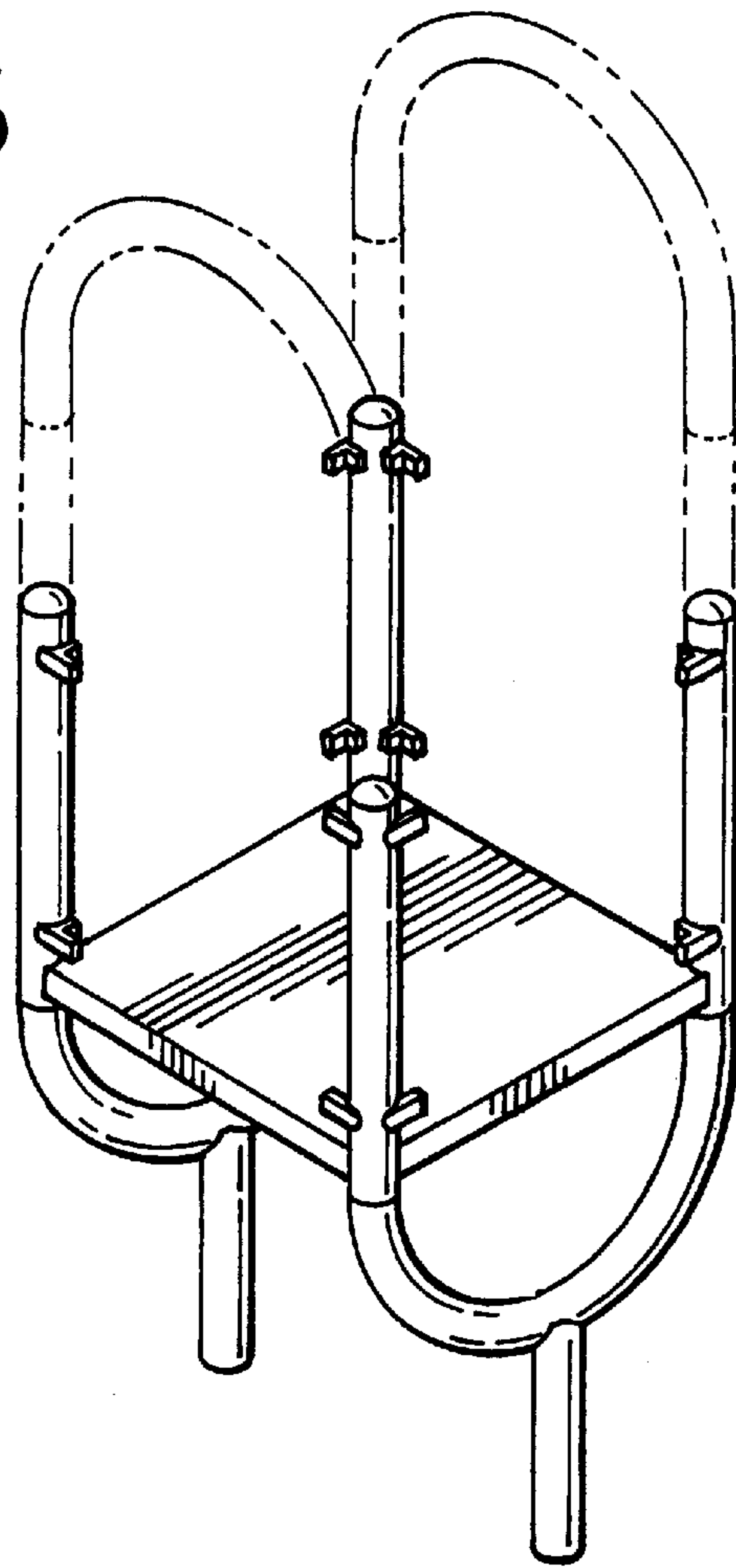


FIG.7

