



US00D423621S

United States Patent [19]
Holtby

[11] **Patent Number: Des. 423,621**

[45] **Date of Patent: ** Apr. 25, 2000**

[54] **GOLF PUTTING AID**

[76] Inventor: **Paul M. Holtby**, 12407 James Weak Ave., Moorpark, Calif. 93021

[**] Term: **14 Years**

[21] Appl. No.: **29/099,307**

[22] Filed: **Jan. 19, 1999**

[51] **LOC (6) Cl.** **21-02**

[52] **U.S. Cl.** **D21/791**

[58] **Field of Search** D21/791, 717,
D21/718; 473/399, 150, 157, 159, 160,
195

[56] **References Cited**

U.S. PATENT DOCUMENTS

- D. 340,270 10/1993 Jones D21/717
- D. 372,062 7/1996 Spiegel D21/716

- D. 405,144 2/1999 Crum D21/789
- D. 409,704 5/1999 Nunes D21/791
- 1,759,657 5/1930 McLeod 473/399

Primary Examiner—Mitchell Siegel
Attorney, Agent, or Firm—Jack C. Munro

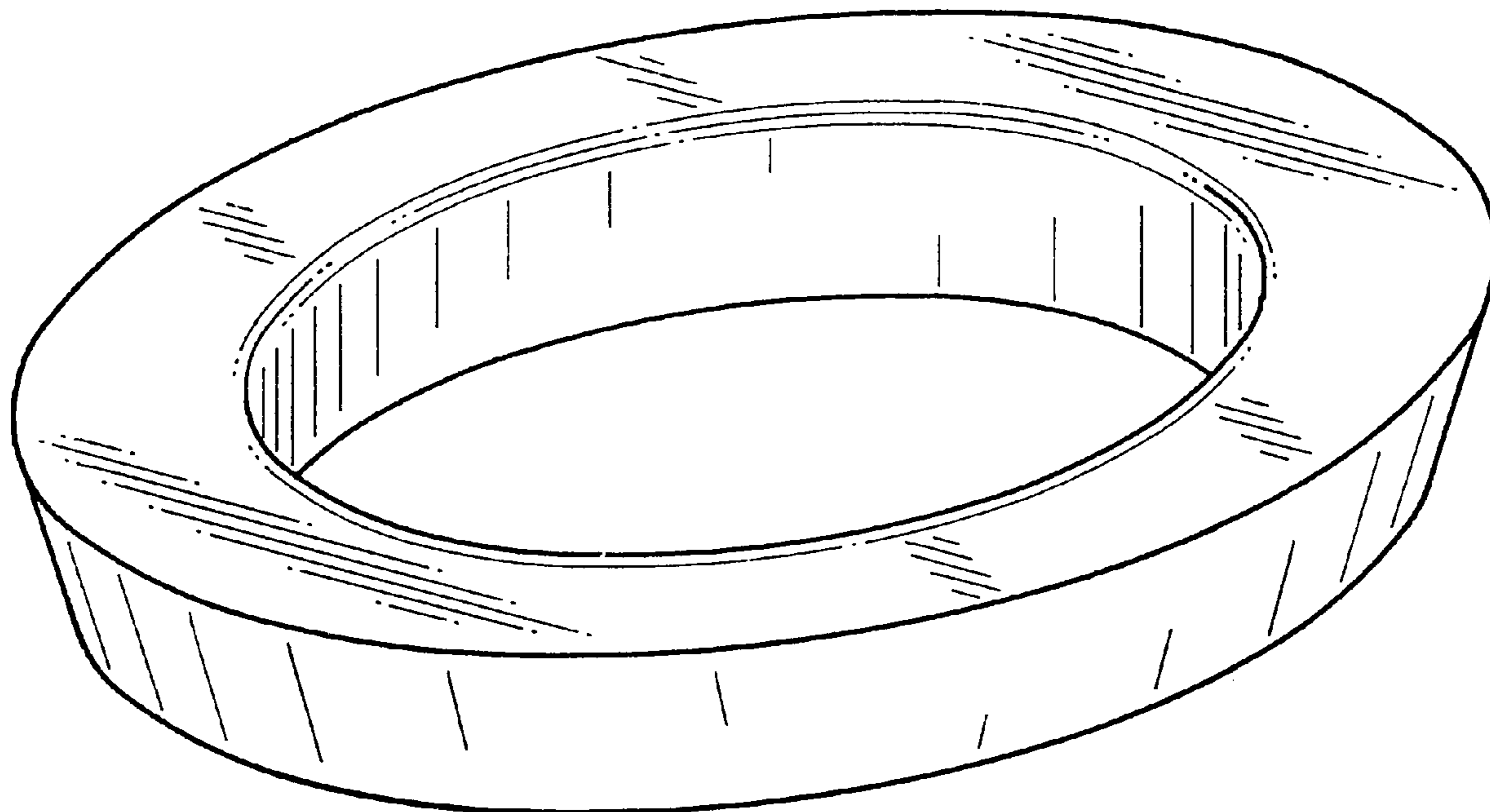
[57] **CLAIM**

The ornamental design for golf putting aid, as shown and described.

DESCRIPTION

FIG. 1 is a front isometric view of the golf putting aid showing my new design;
FIG. 2 is a top view thereof;
FIG. 3 is a side view thereof;
FIG. 4 is a bottom view thereof; and,
FIG. 5 is a cross-sectional view taken along line 5—5 of FIG. 2.

1 Claim, 2 Drawing Sheets



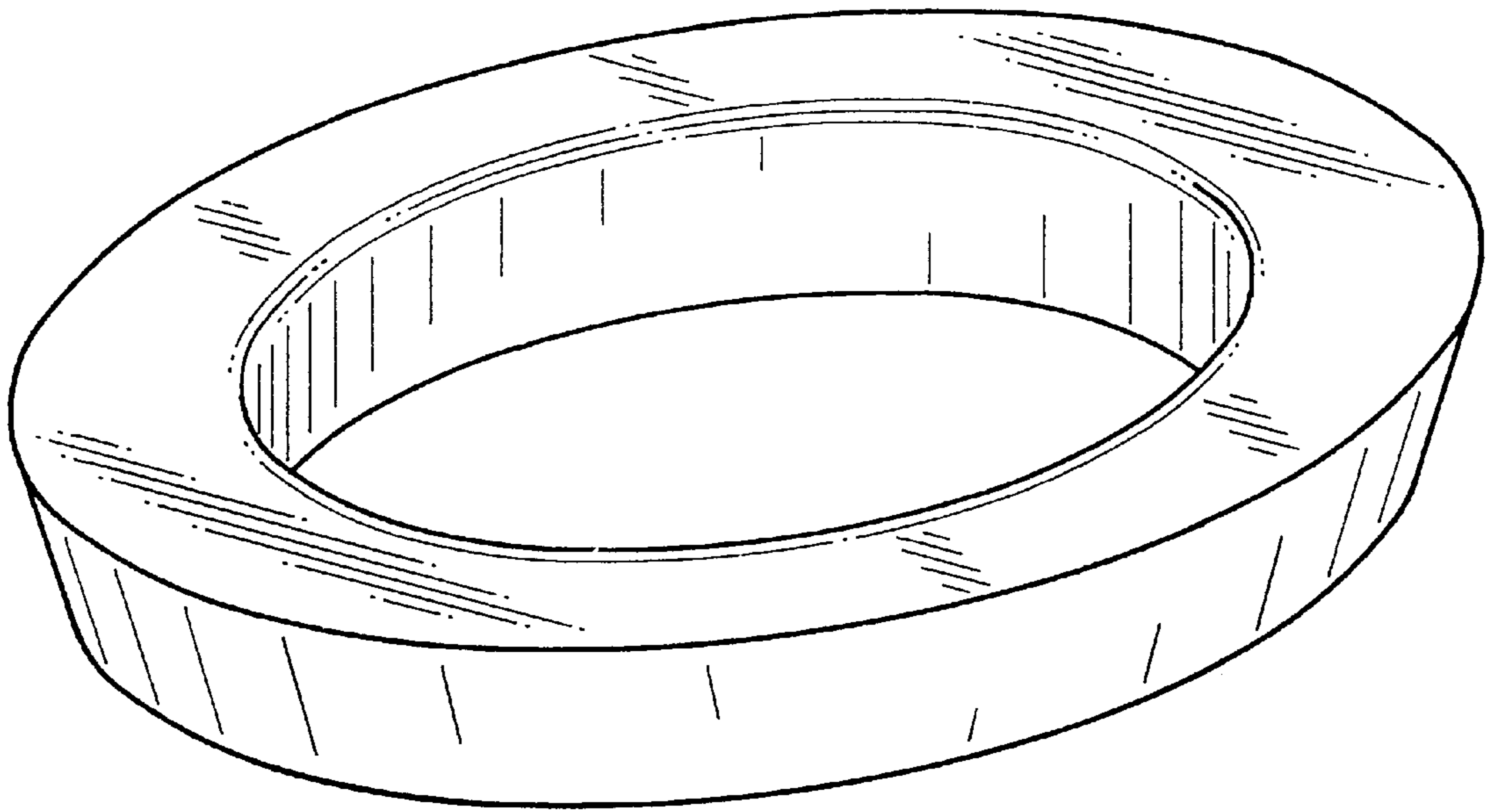


FIG. 1

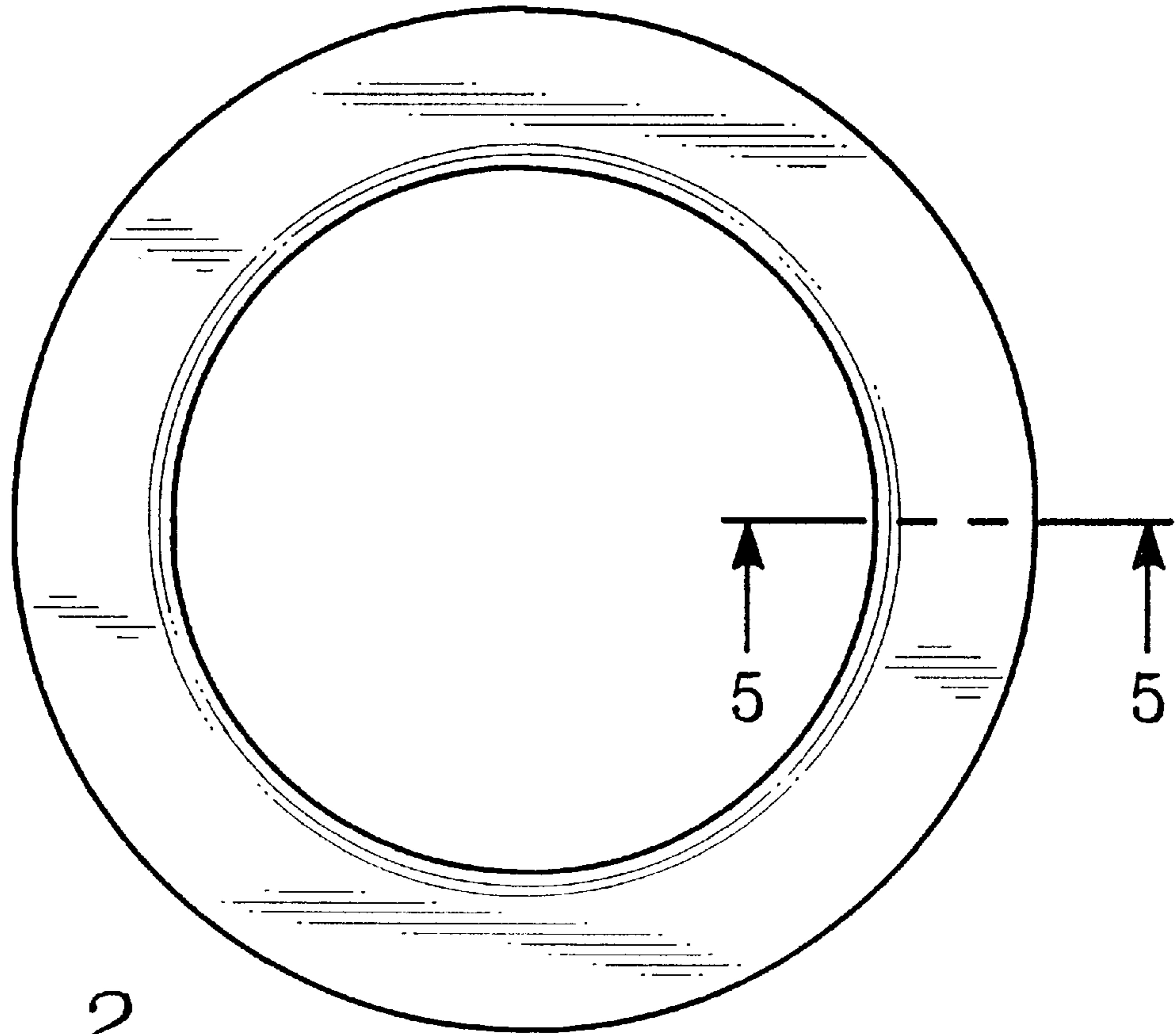


FIG. 2

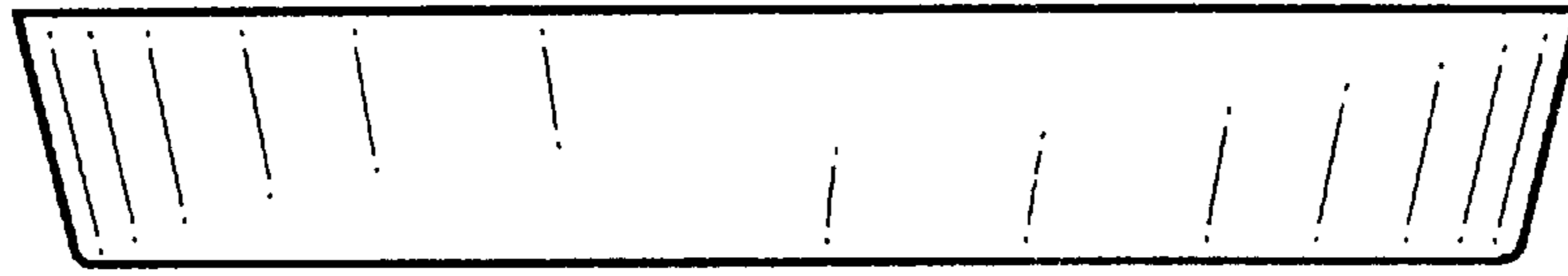


FIG. 3

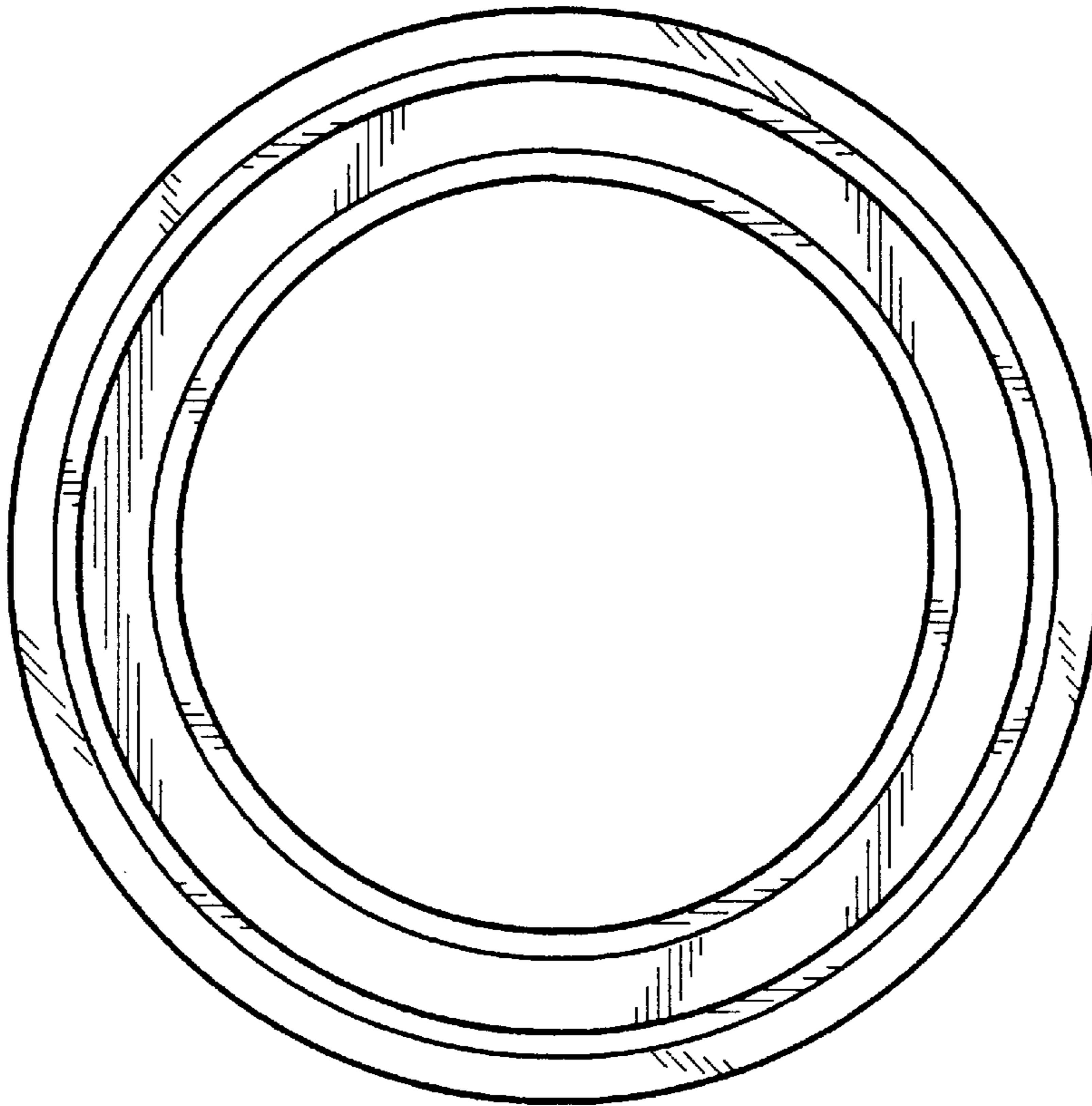


FIG. 4

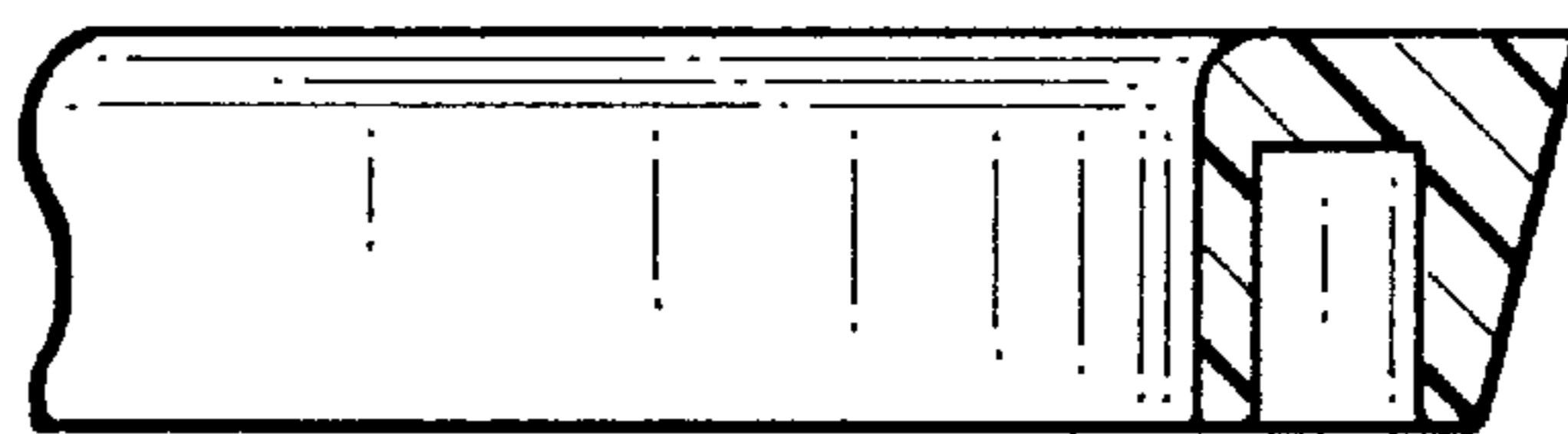


FIG. 5