



US00D423617S

United States Patent [19] Seminara

[11] **Patent Number: Des. 423,617**

[45] **Date of Patent: ** Apr. 25, 2000**

[54] **GOLF CLUB HEAD**

[76] Inventor: **Dominick Seminara**, 2599 NW. 63rd St., Boca Raton, Fla. 33496

[**] Term: **14 Years**

[21] Appl. No.: **29/089,782**

[22] Filed: **Jun. 23, 1998**

[51] **LOC (6) Cl.** **21-02**

[52] **U.S. Cl.** **D21/733**

[58] **Field of Search** D21/733, 747-752; 473/324, 327, 328, 345, 346, 350

[56] **References Cited**

U.S. PATENT DOCUMENTS

D. 184,979	4/1959	Browser	D21/733
D. 256,147	7/1980	Jeghers	D21/752
4,139,196	2/1979	Riley	473/328
5,803,830	9/1998	Austin et al.	473/328

Primary Examiner—Mitchell I Siegel
Attorney, Agent, or Firm—Quarles & Brady LLP

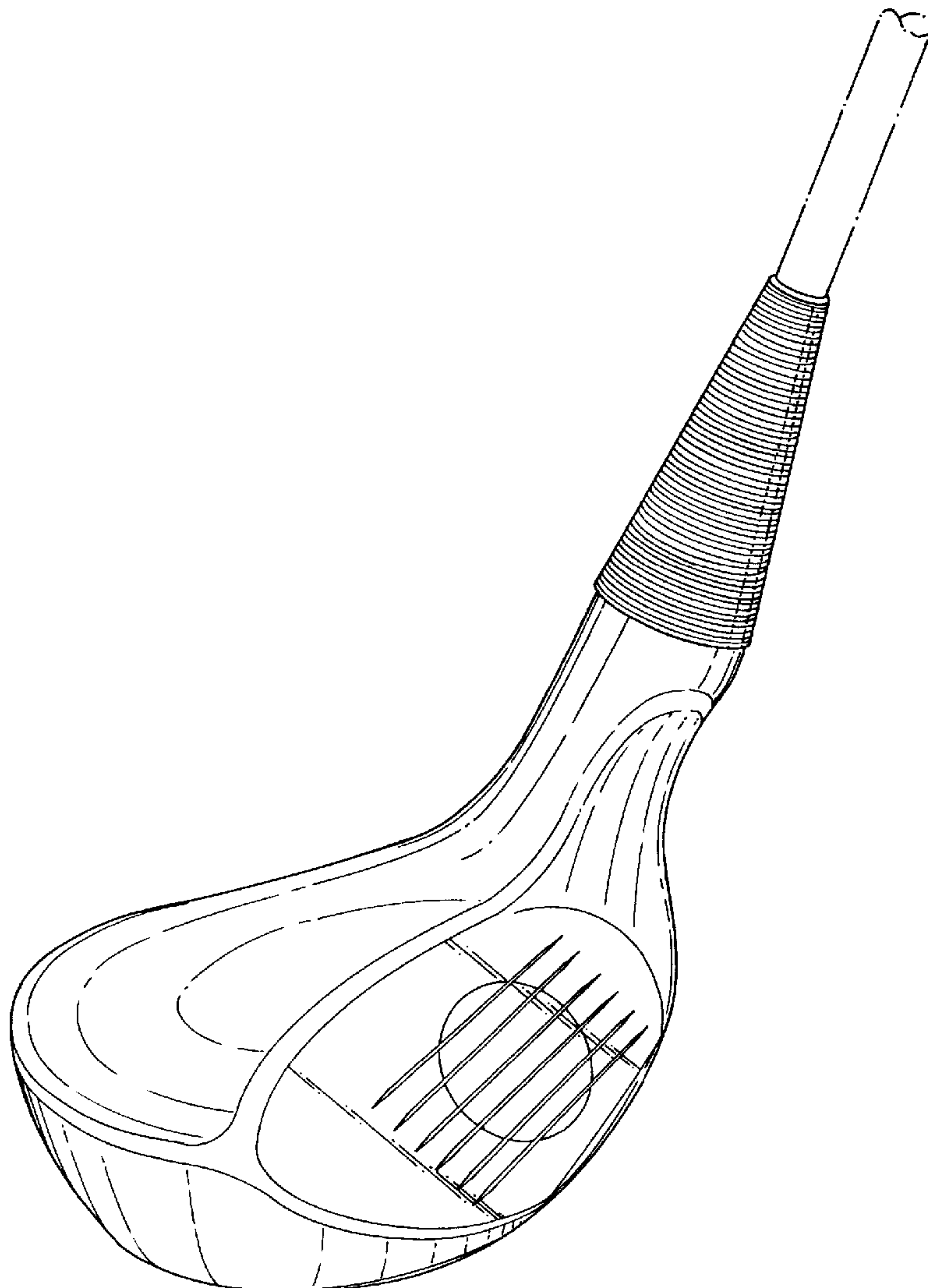
[57] **CLAIM**

The ornamental design for a golf club head, as shown and described.

DESCRIPTION

FIG. 1 is a front top perspective of a golf club head showing my new design;
FIG. 2 is a front elevation;
FIG. 3 is a rear elevation;
FIG. 4 is a left elevation;
FIG. 5 is a right elevation;
FIG. 6 is a top plan; and,
FIG. 7 is a bottom plan.
The broken line showing of a fragmented shaft is for illustrative purposes only and forms no part of the claimed design.

1 Claim, 4 Drawing Sheets



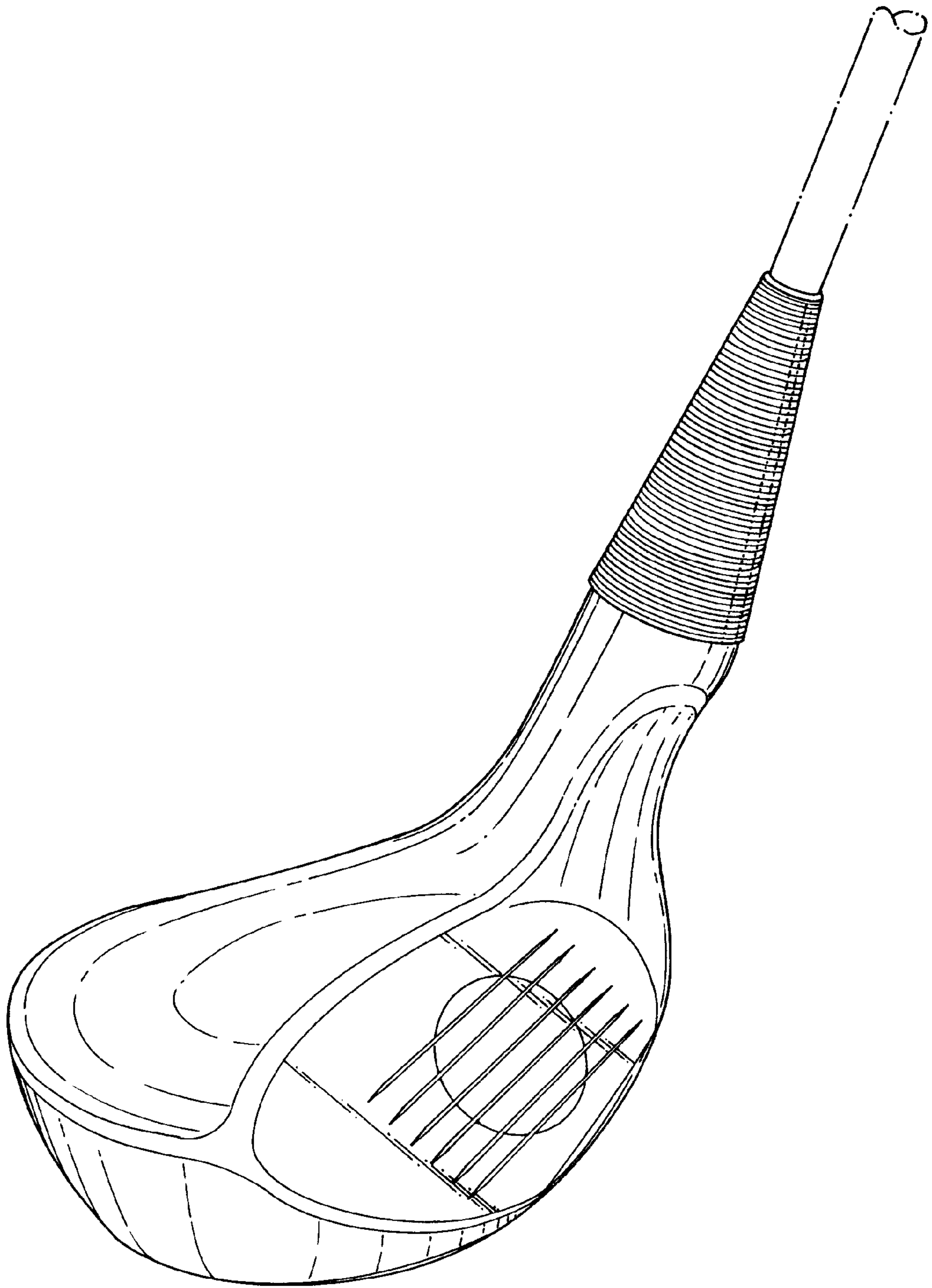


FIG. 1

FIG. 2

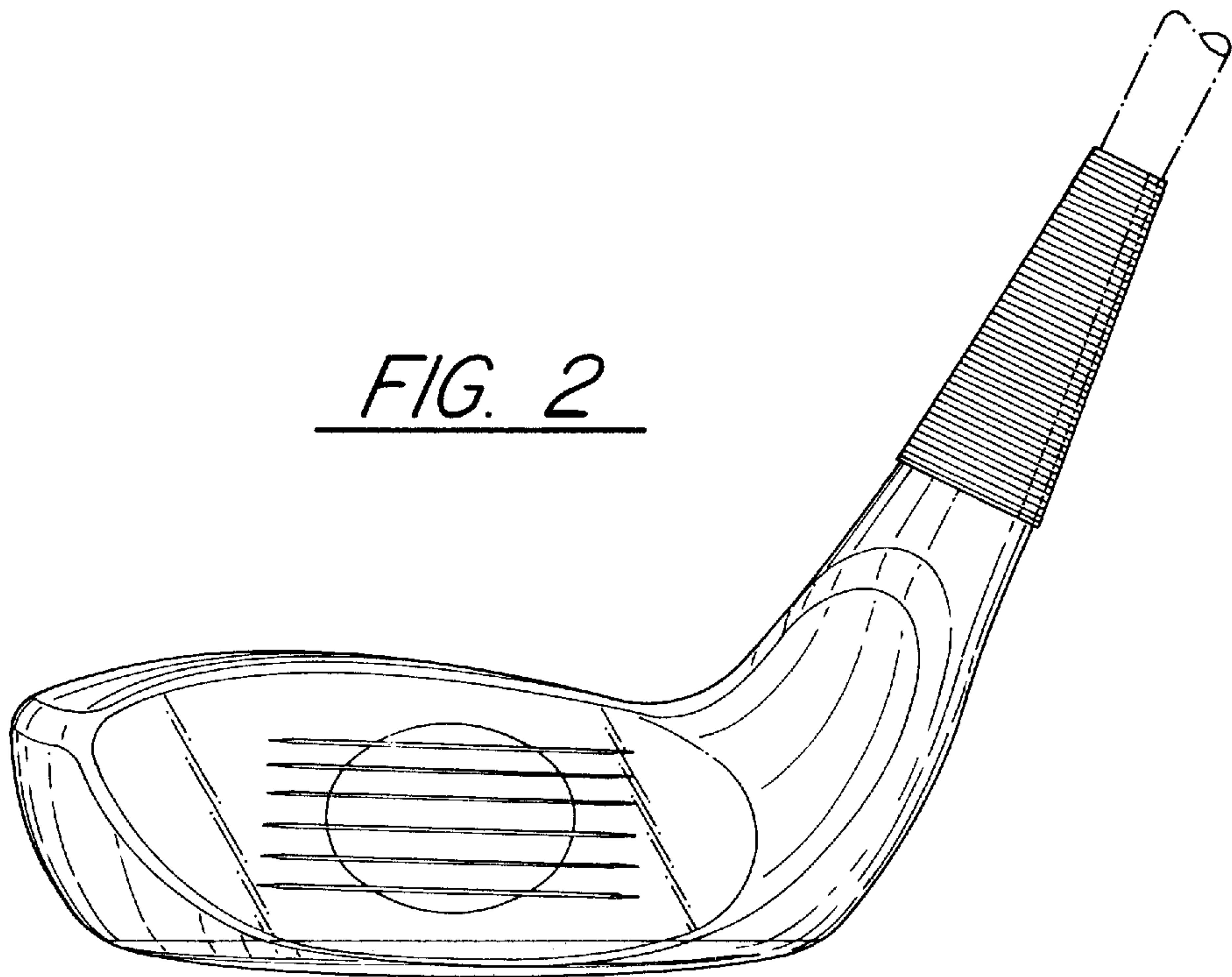


FIG. 3

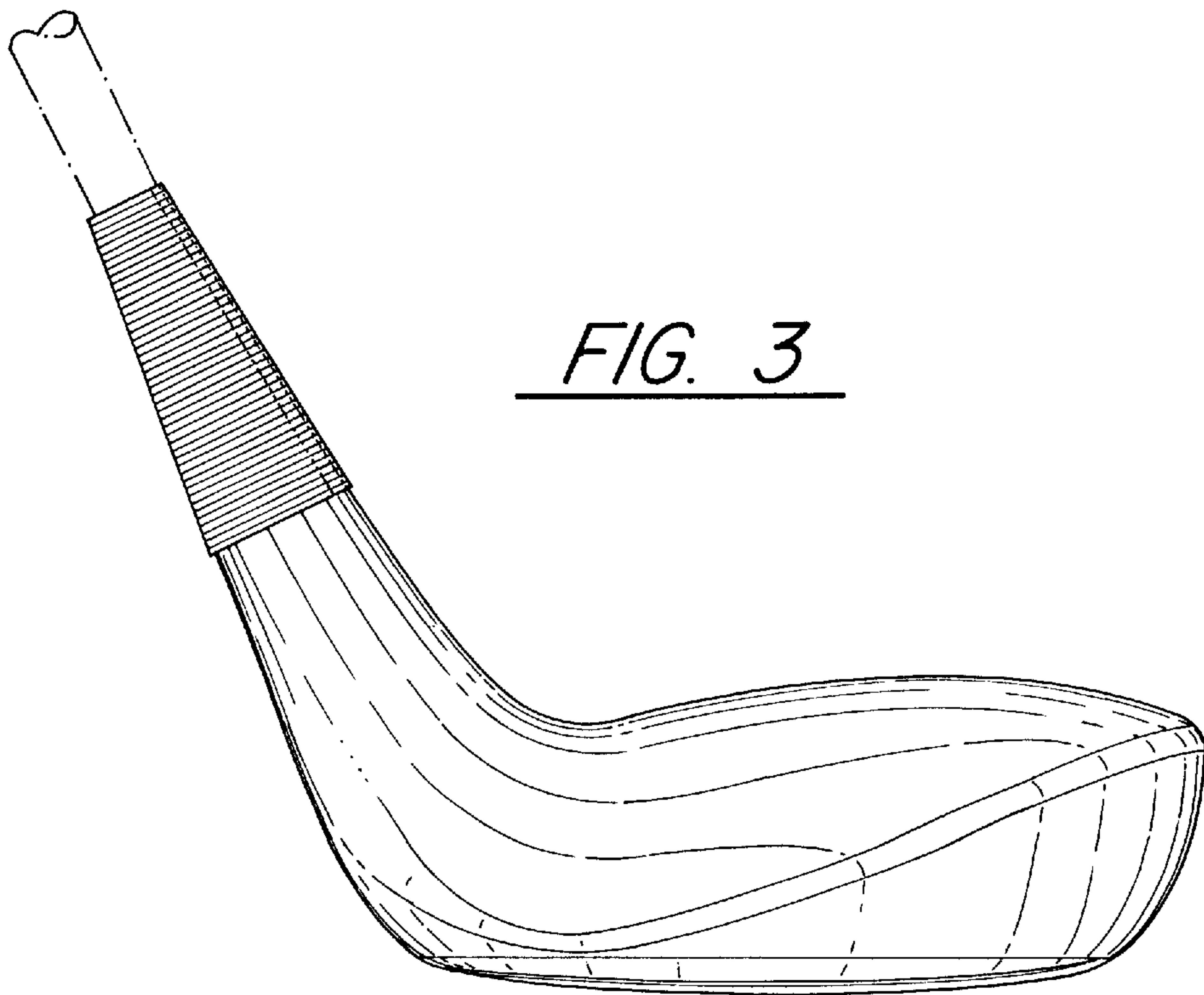


FIG. 4

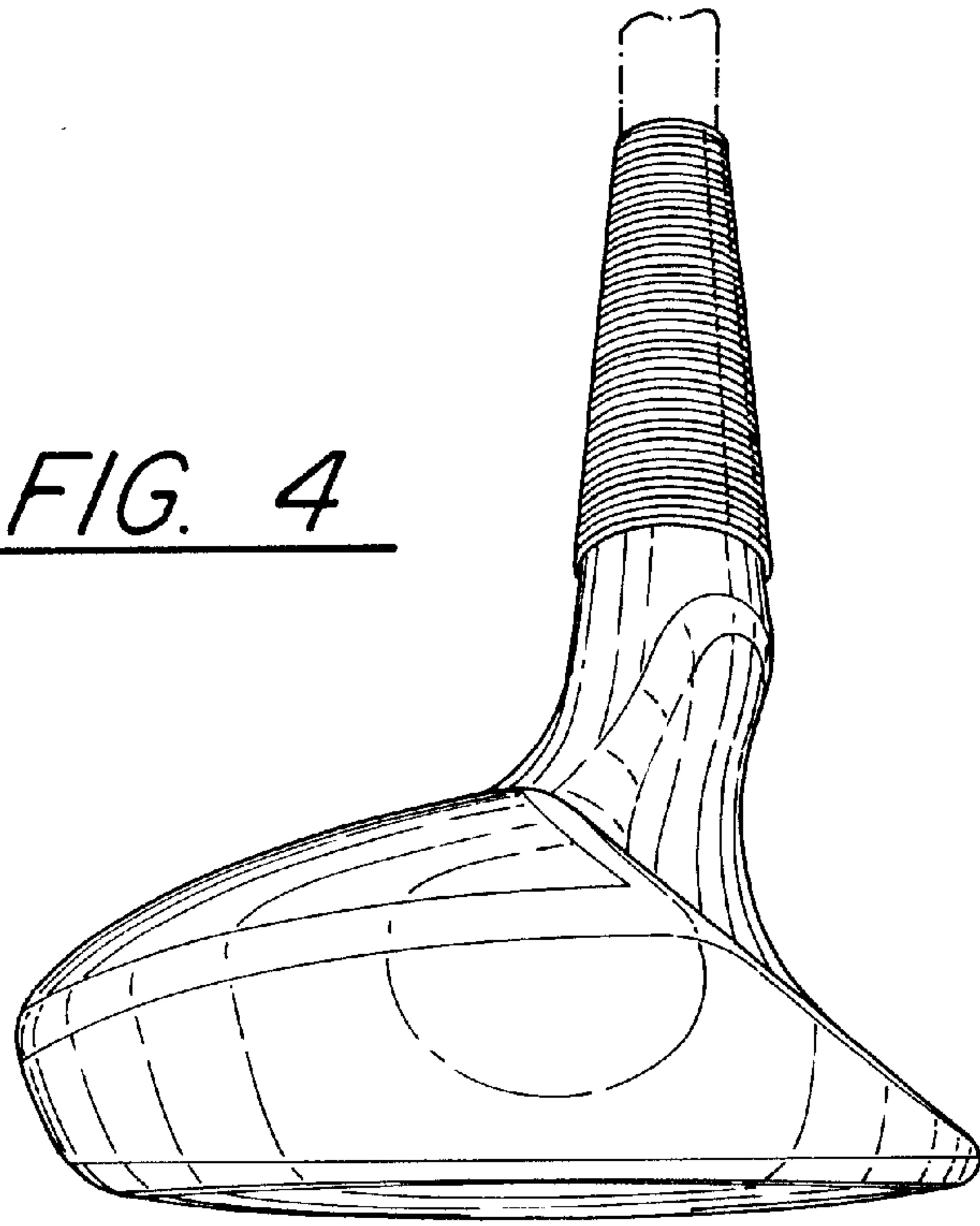


FIG. 5

