



US00D423604S

United States Patent [19] Yeh

[11] **Patent Number: Des. 423,604**

[45] **Date of Patent: ** Apr. 25, 2000**

[54] **CHILDREN'S RIDE-ON VEHICLE**

[75] Inventor: **Po-Shiung Yeh**, Tai Pao, Taiwan

[73] Assignee: **Link Treasure Limited**, Tortola, Virgin Islands (Br.)

[**] Term: **14 Years**

[21] Appl. No.: **29/107,533**

[22] Filed: **Jul. 7, 1999**

[51] **LOC (6) Cl.** **21-01**

[52] **U.S. Cl.** **D21/433**

[58] **Field of Search** D21/419-435,
D21/533, 548, 551, 552, 554, 559; D12/16,
87-88; 446/424, 425, 427, 433, 454, 456,
457, 462, 465, 470; 280/87.01, 87.021,
828

[56] **References Cited**

U.S. PATENT DOCUMENTS

D. 282,087	1/1986	Kassai	D21/433
D. 311,934	11/1990	Takahashi et al.	D21/433
D. 320,239	9/1991	Kassai	D21/424
D. 322,641	12/1991	Takahashi et al.	D21/428

D. 345,717	4/1994	Molzon et al.	D12/16
D. 345,770	4/1994	Liu	D21/424
D. 378,105	2/1997	Nakai	D21/433

Primary Examiner—Raphael Barkai
Attorney, Agent, or Firm—W. Wayne Liauh

[57] **CLAIM**

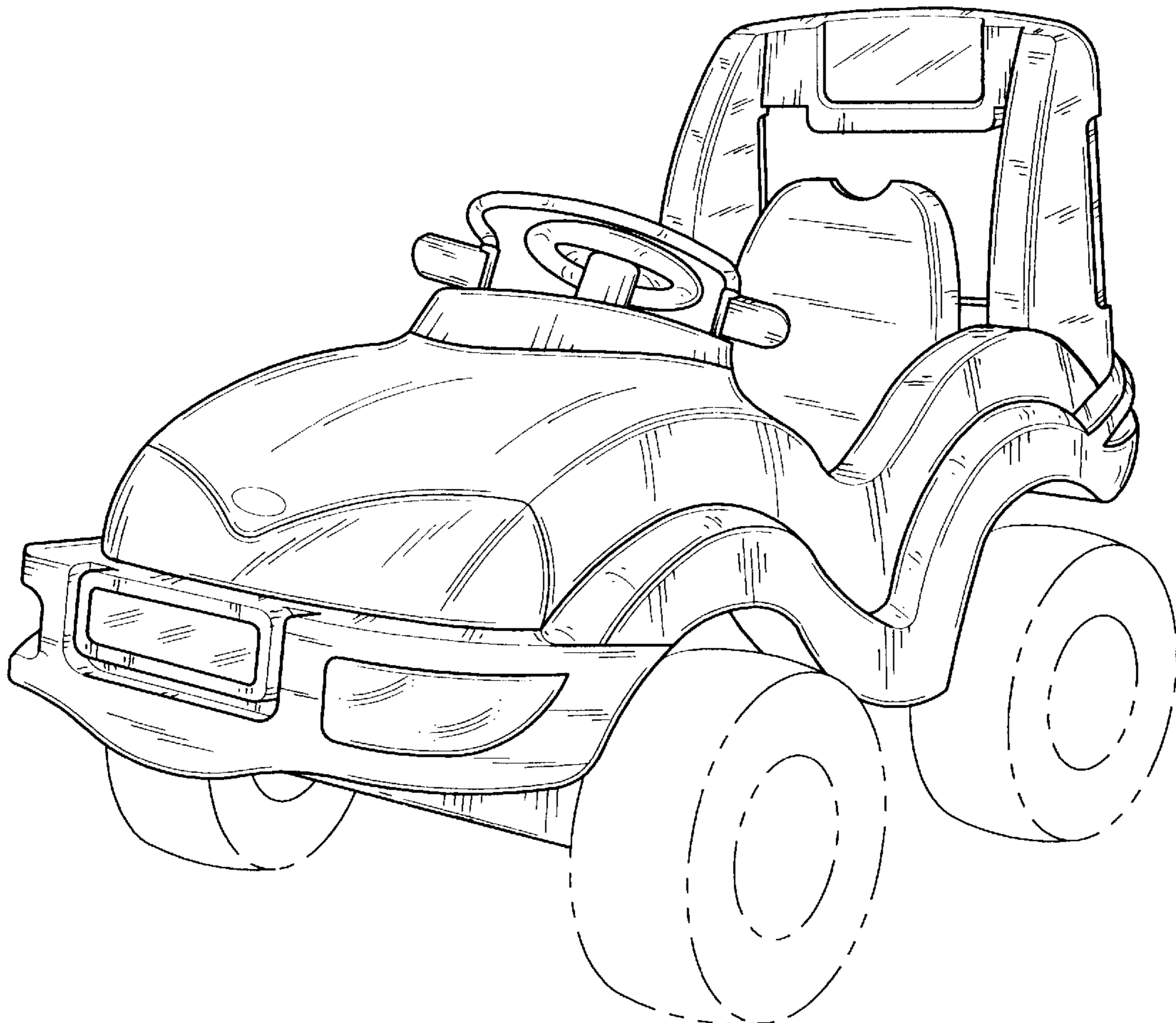
The ornamental design for children's ride-on vehicle, as shown and described.

DESCRIPTION

FIG. 1 is a perspective view of children's ride-on vehicle, showing my new design;
FIG. 2 is a rear view thereof;
FIG. 3 is a top view thereof;
FIG. 4 is right side elevational view thereof;
FIG. 5 is a bottom view thereof;
FIG. 6 is a front elevational view thereof;
FIG. 7 is a left side elevational view thereof; and,
FIG. 8 is a perspective view thereof, showing a preferred embodiment.

The broken lines shown in FIGS. 1-8 are for illustrative purposes only and form no part of the claimed design.

1 Claim, 8 Drawing Sheets



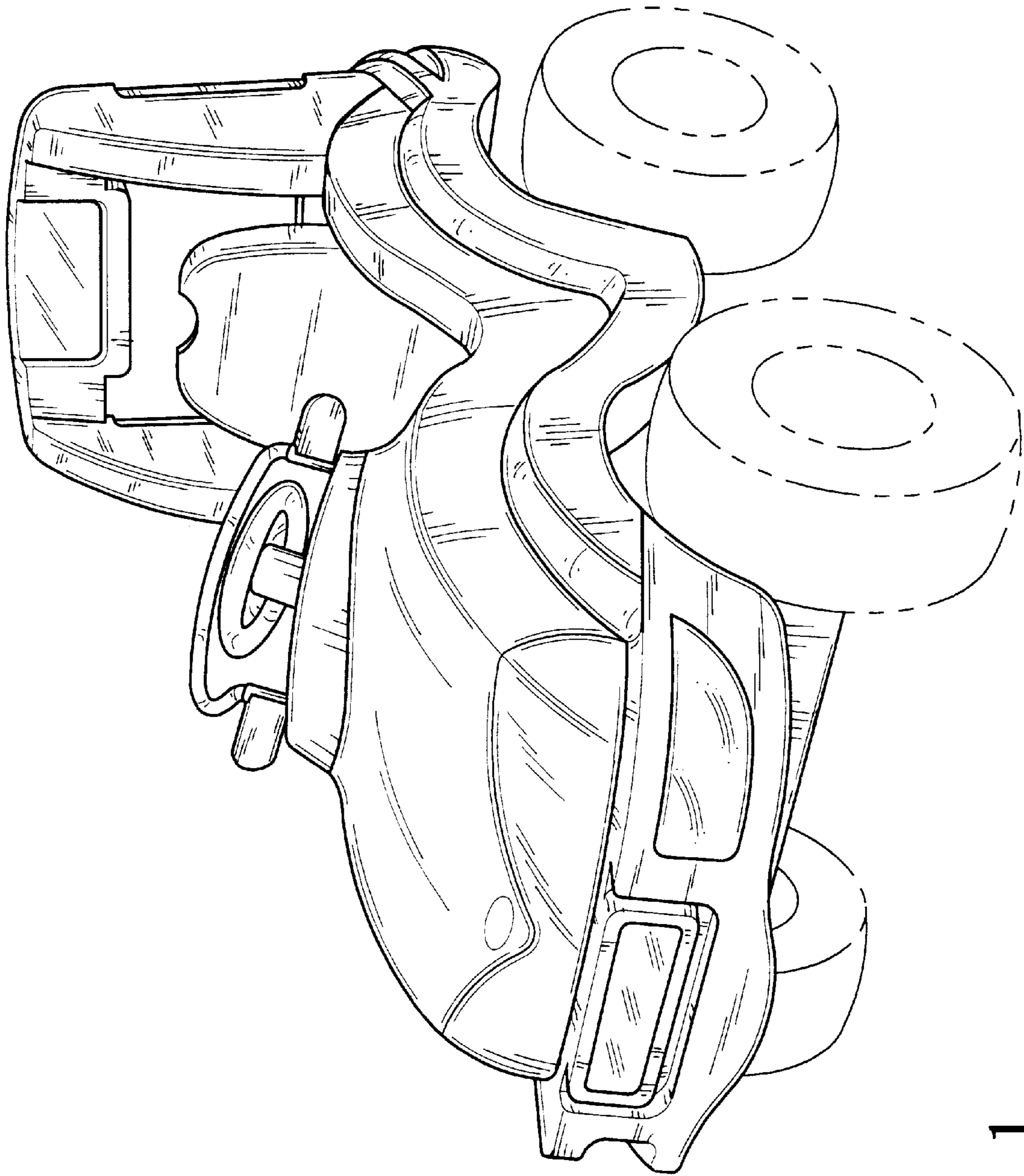


FIG. 1

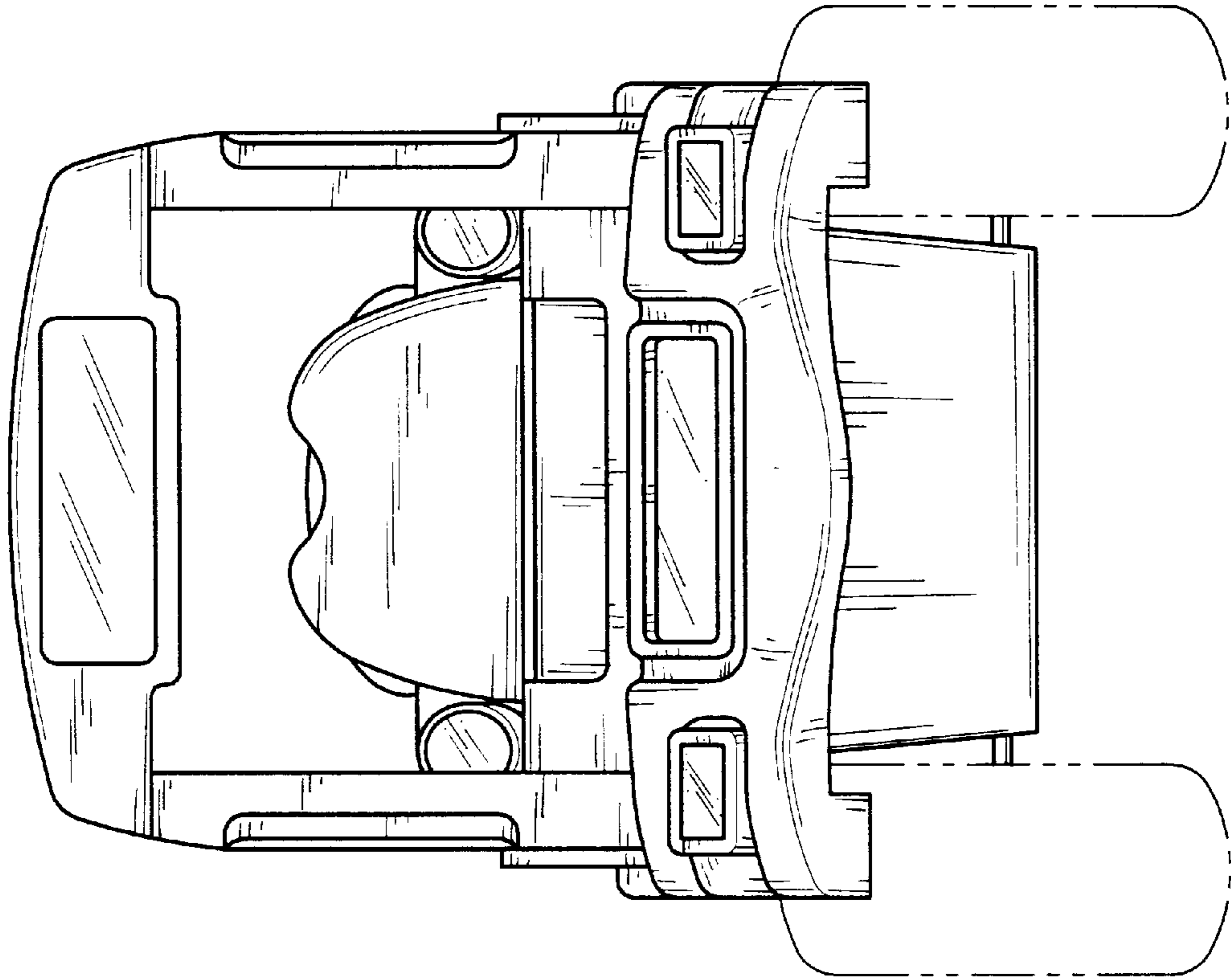


FIG. 2

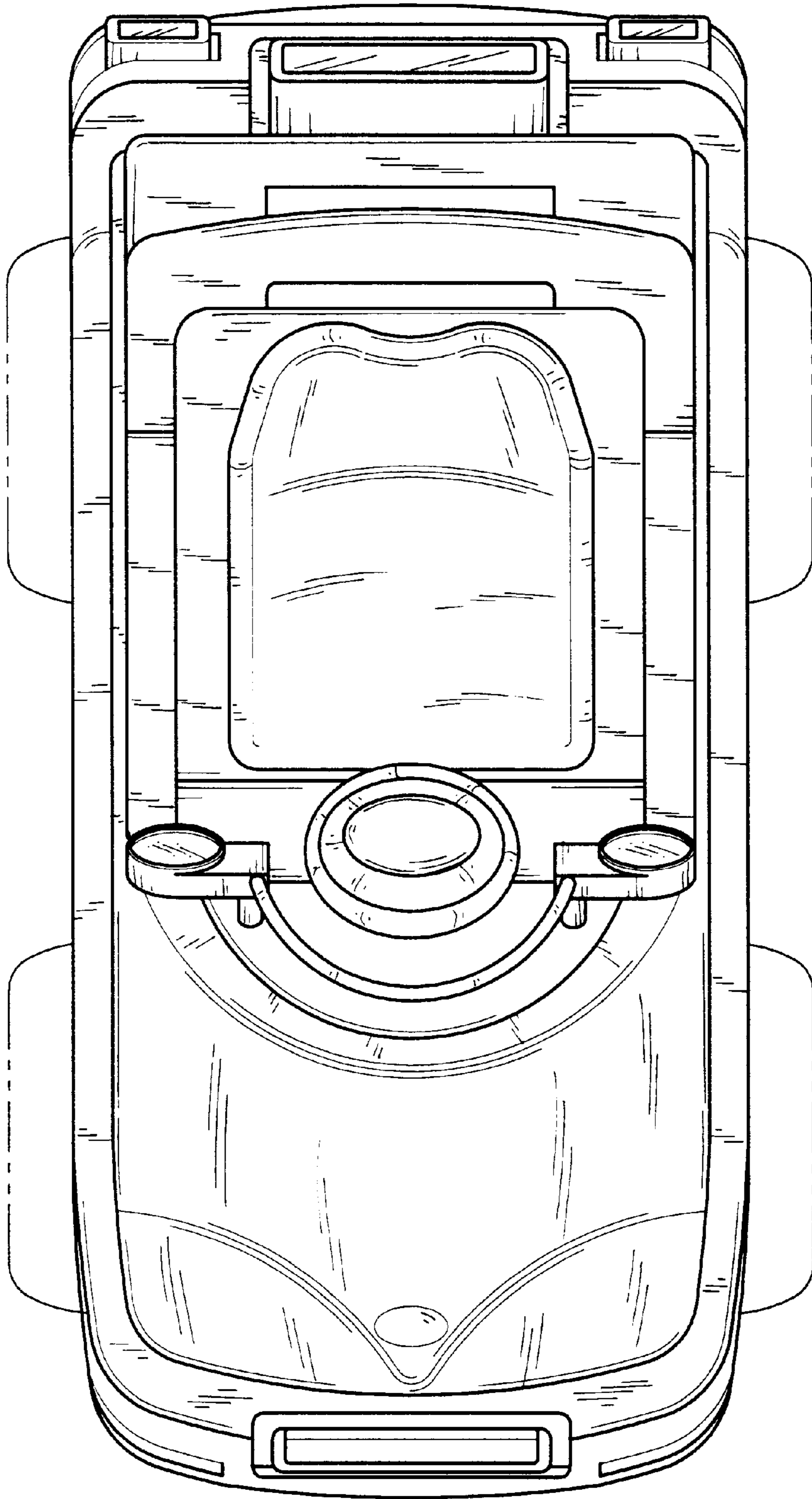


FIG. 3

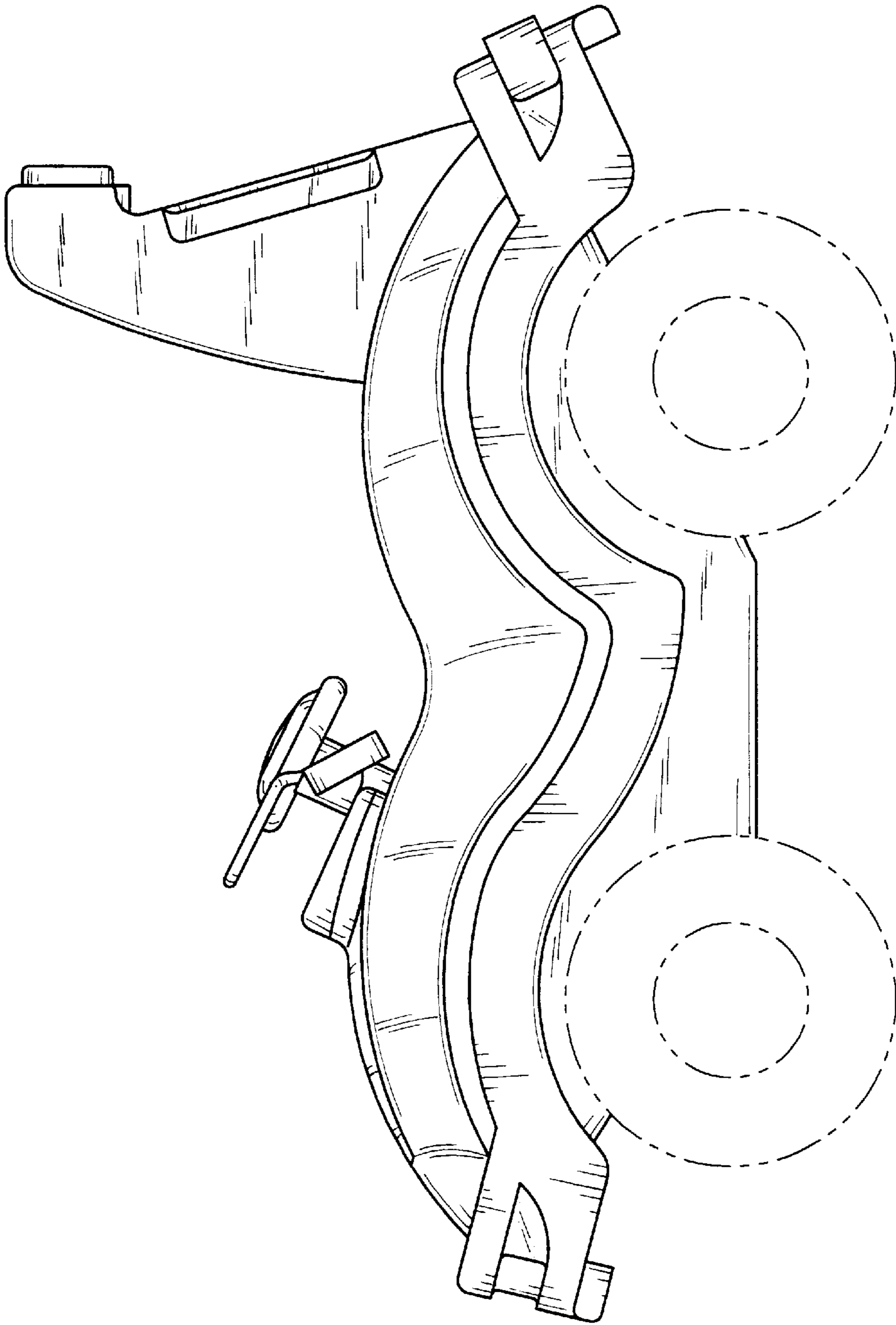


FIG. 4

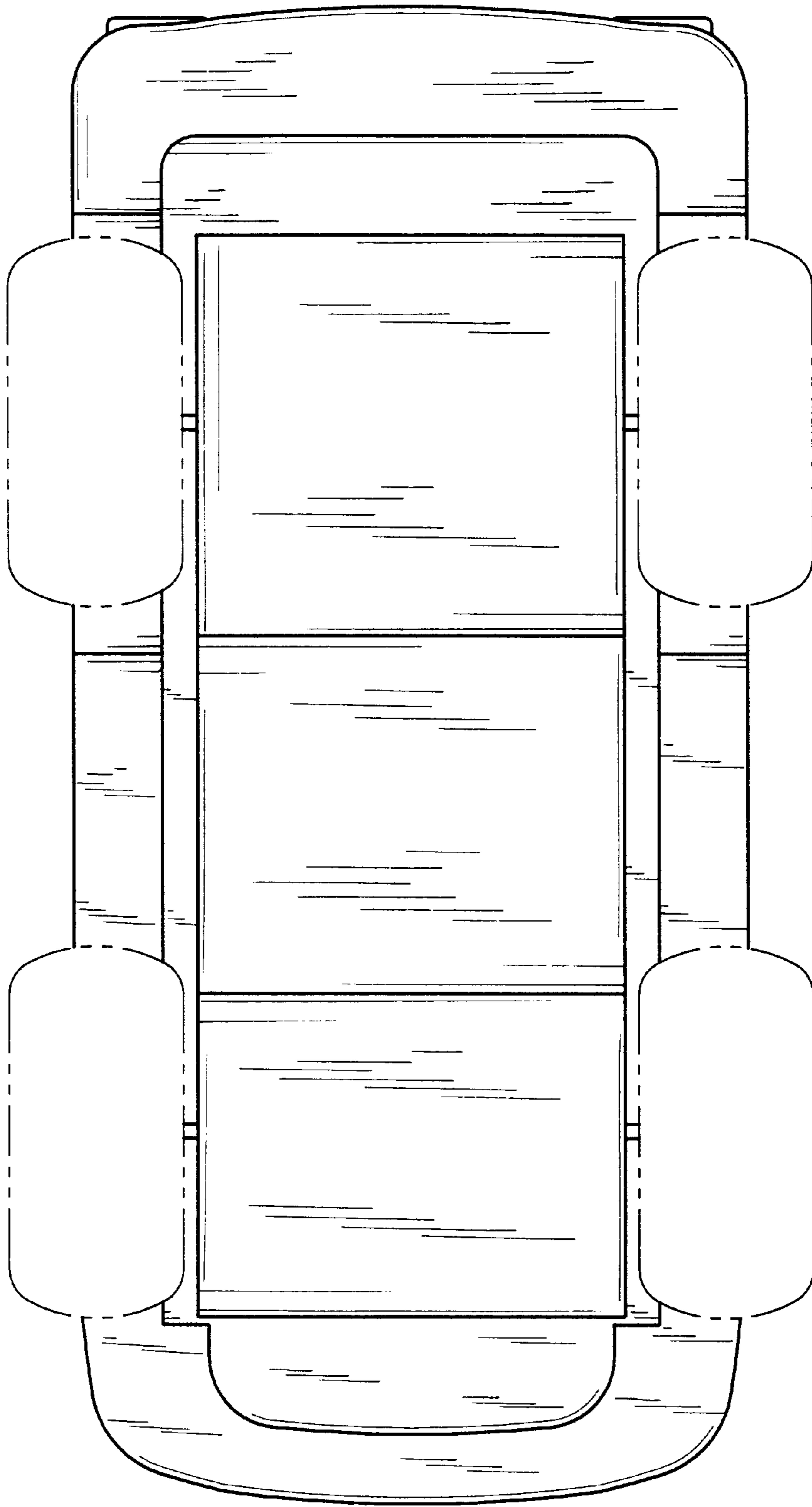


FIG. 5

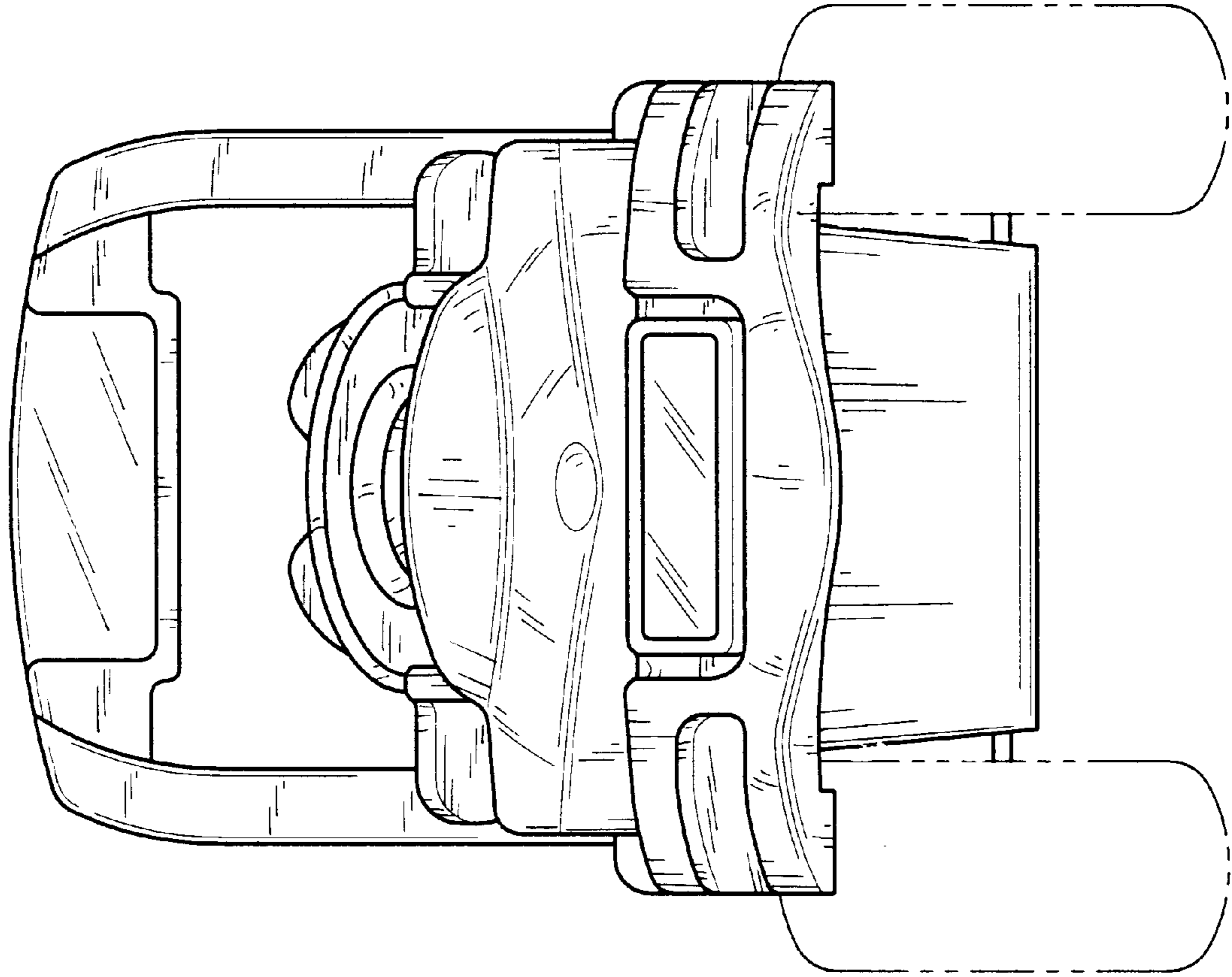


FIG. 6

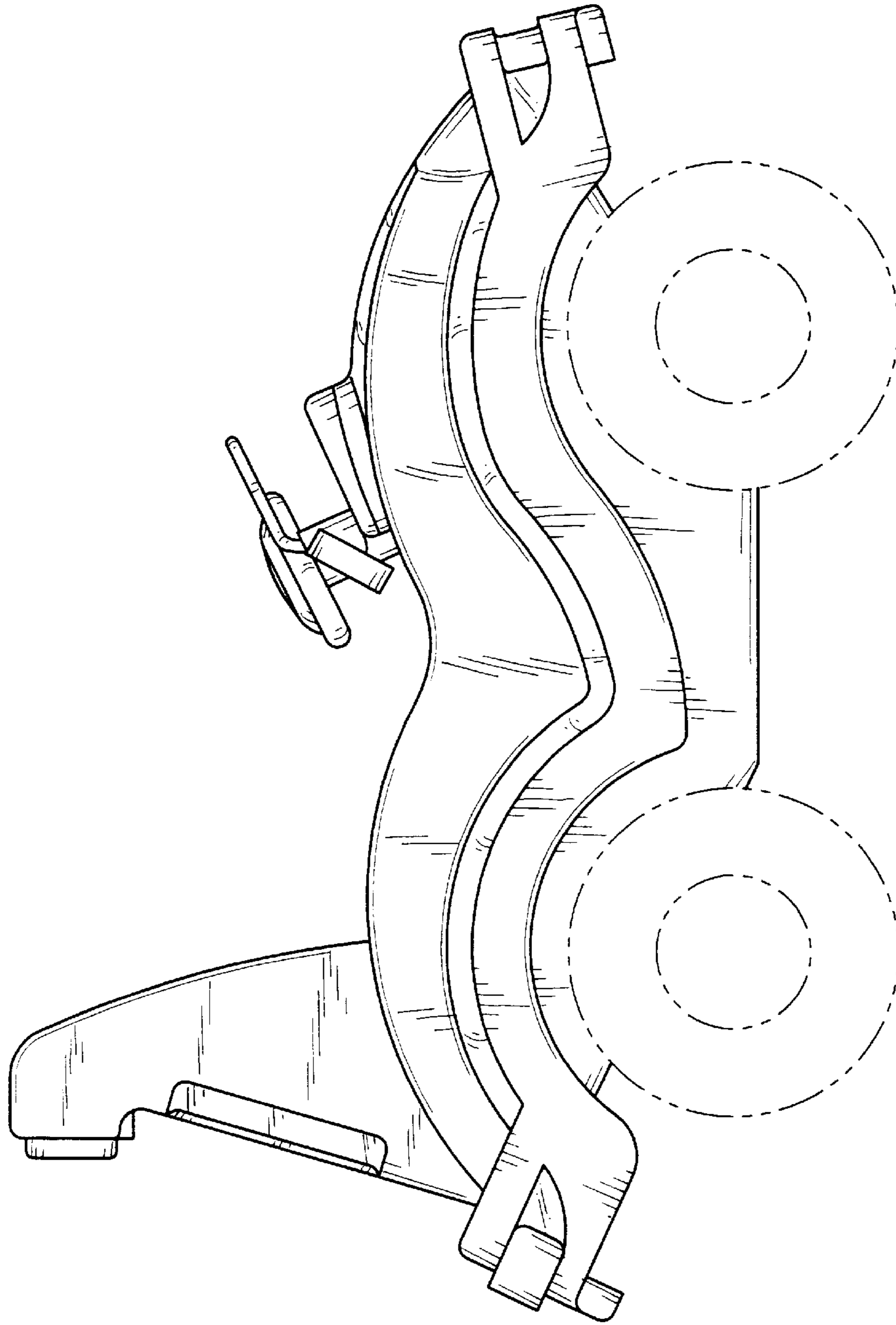


FIG. 7

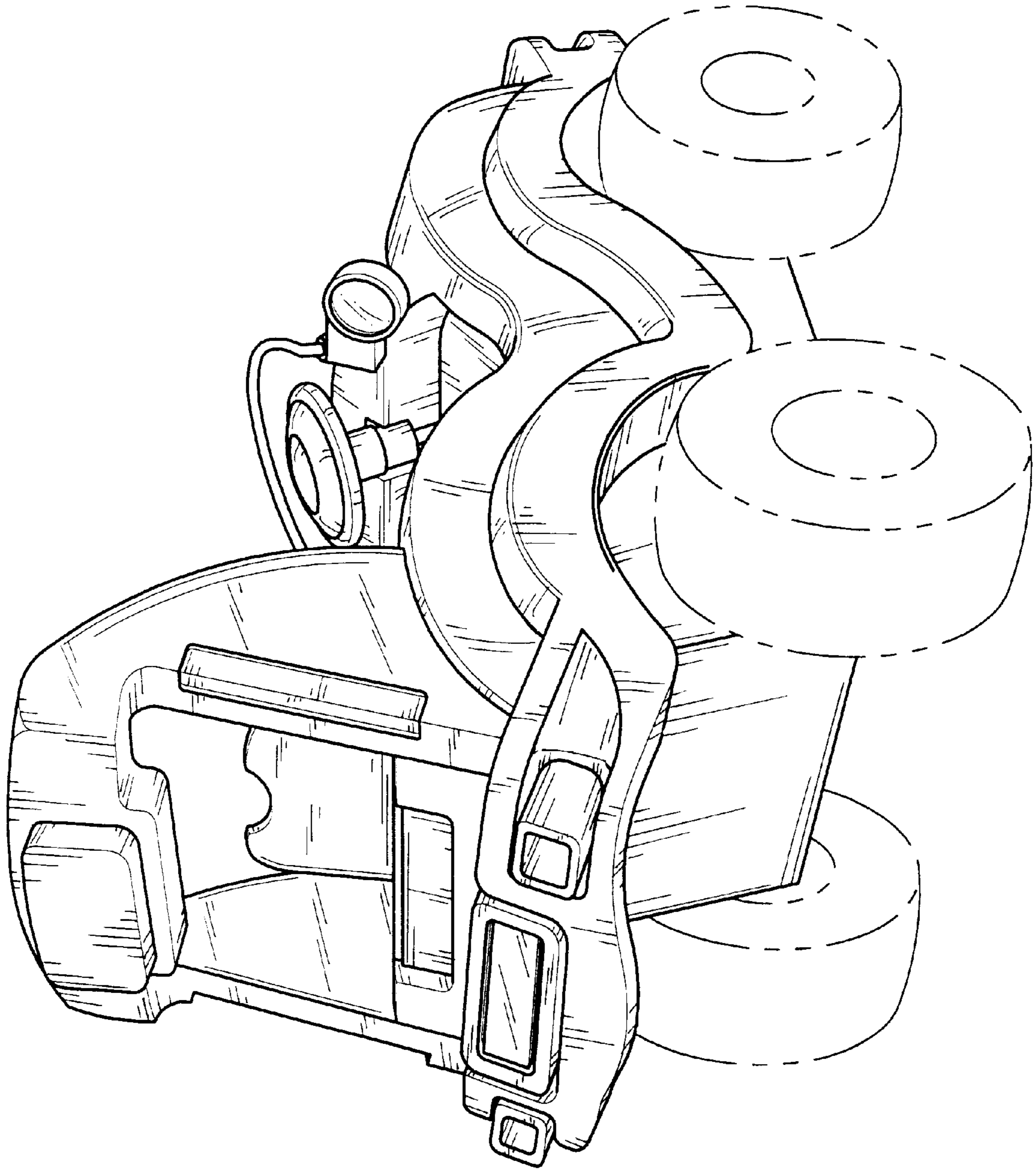


FIG. 8