



US00D423603S

United States Patent [19] Tasy

[11] **Patent Number: Des. 423,603**

[45] **Date of Patent: ** Apr. 25, 2000**

[54] **CHILDREN RIDE-ON VEHICLE**

D. 338,244 8/1993 Gault D21/433
D. 344,298 2/1994 Gault D21/424

[75] Inventor: **Ling-Fang Tasy, Tai Pao, Taiwan**

OTHER PUBLICATIONS

Toys "R" US p. 52, 1993.

[73] Assignee: **Link Treasure Limited, Tortola, Virgin Islands (Br.)**

Primary Examiner—Raphael Barkai
Attorney, Agent, or Firm—W. Wayne Liauh

[**] Term: **14 Years**

[21] Appl. No.: **29/099,966**

[57] CLAIM

[22] Filed: **Jan. 30, 1999**

The ornamental design for children's ride-on vehicle, as shown.

[51] **LOC (6) Cl. 21-01**

DESCRIPTION

[52] **U.S. Cl. D21/424; D21/432; D21/433**

[58] **Field of Search** D21/419-435,
D21/533, 548, 550, 551, 552, 559; D12/87,
88, 91, 92; 446/424, 425, 433, 440, 454,
456, 457, 462, 465, 470; 280/1.13, 828,
87.01, 87.021, 47.11

FIG. 1 is a perspective view of children's ride-on vehicle, showing my new design;

FIG. 2 is right side elevational view thereof;

FIG. 3 is a top view thereof;

FIG. 4 is a front elevational view thereof; and,

FIG. 5 is a bottom view thereof.

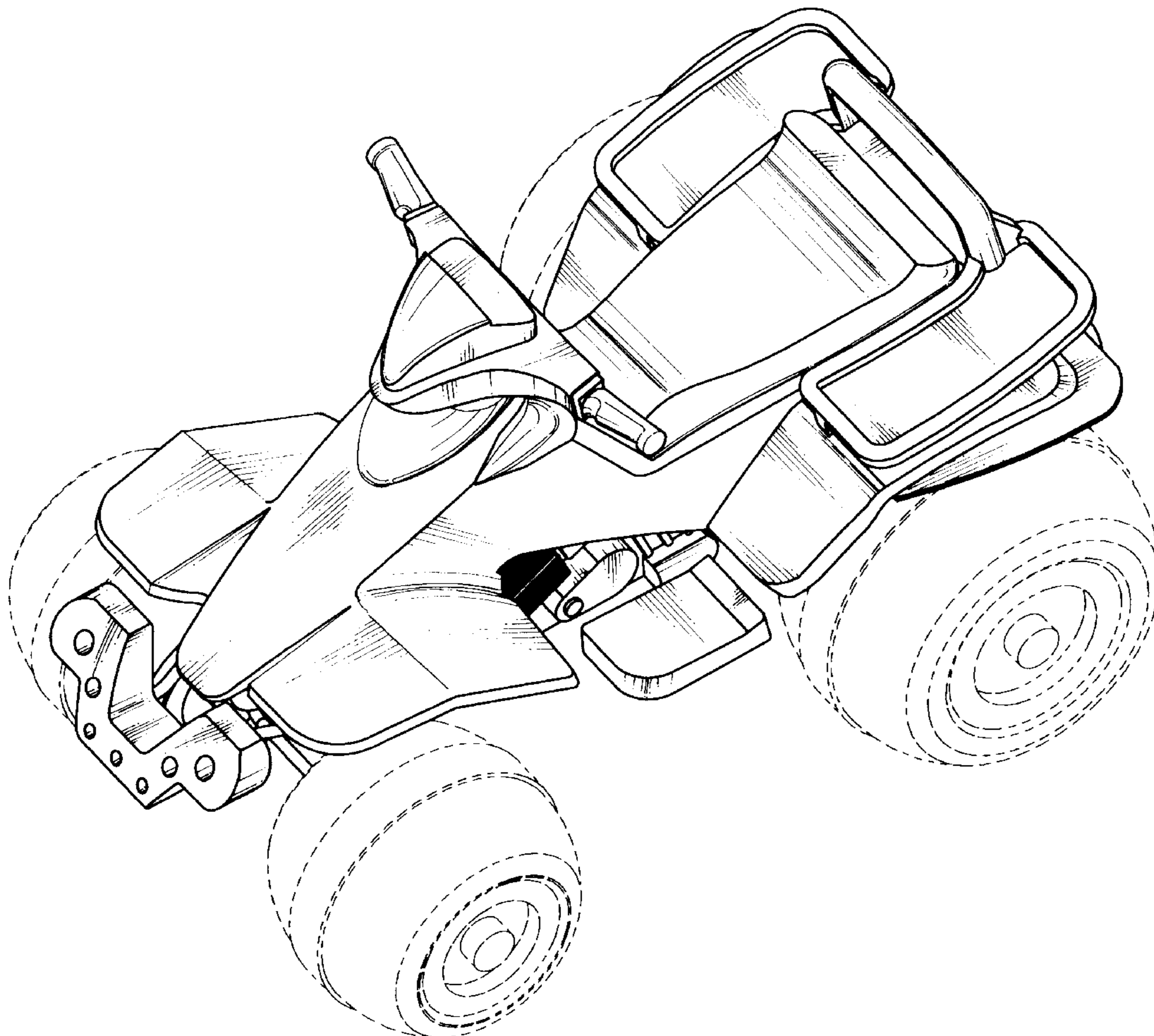
The broken lines shown in FIGS. 1-5 is for illustrative purposes only and form no part of the claimed design; portions of the left side not shown form no part of the claimed design.

[56] References Cited

U.S. PATENT DOCUMENTS

D. 254,262 2/1980 Swearingen D21/432
D. 292,009 9/1987 Harrod D21/432
D. 299,663 1/1989 Harrod D21/432
D. 327,512 6/1992 Harrod D21/432

1 Claim, 5 Drawing Sheets



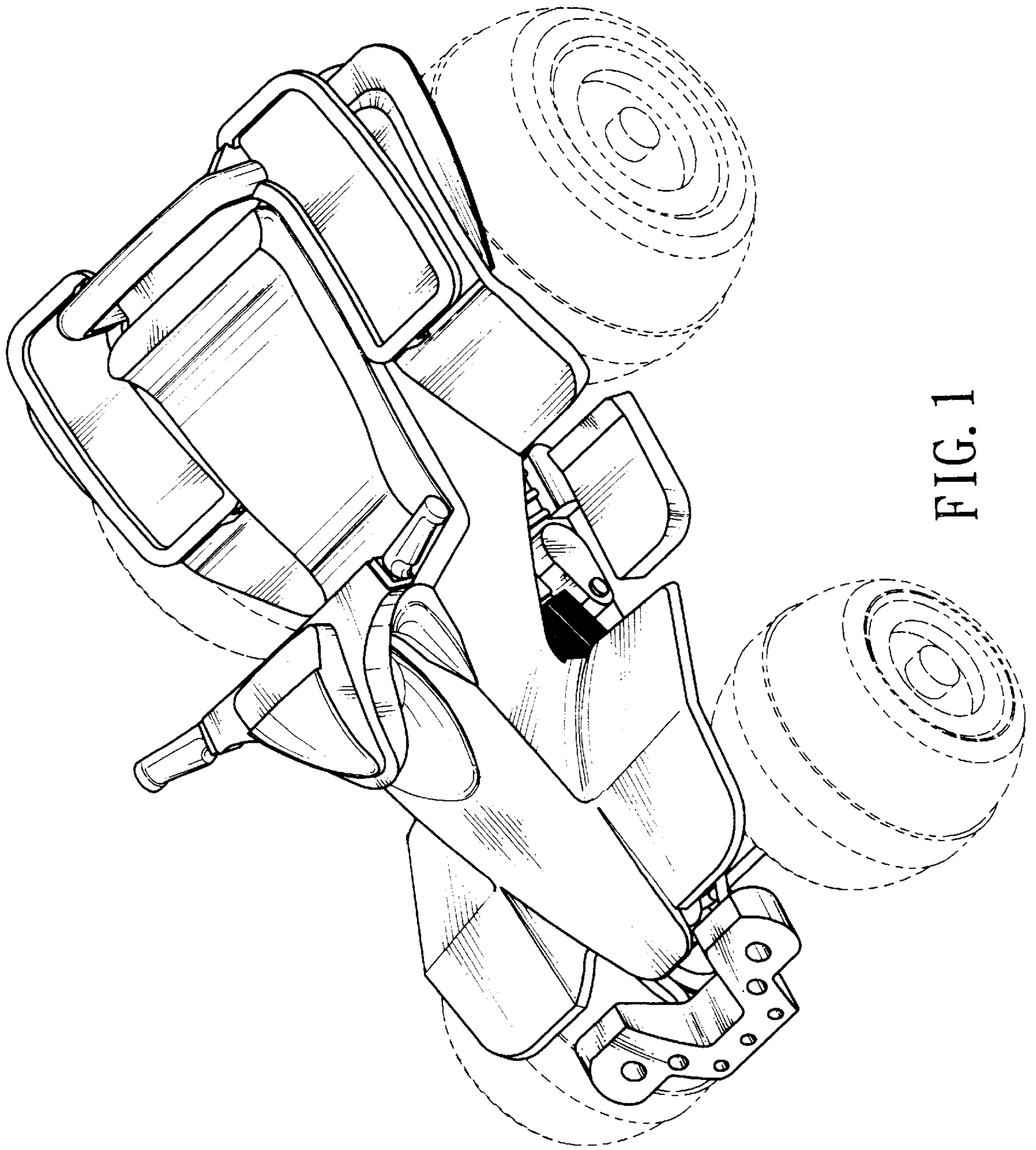


FIG. 1

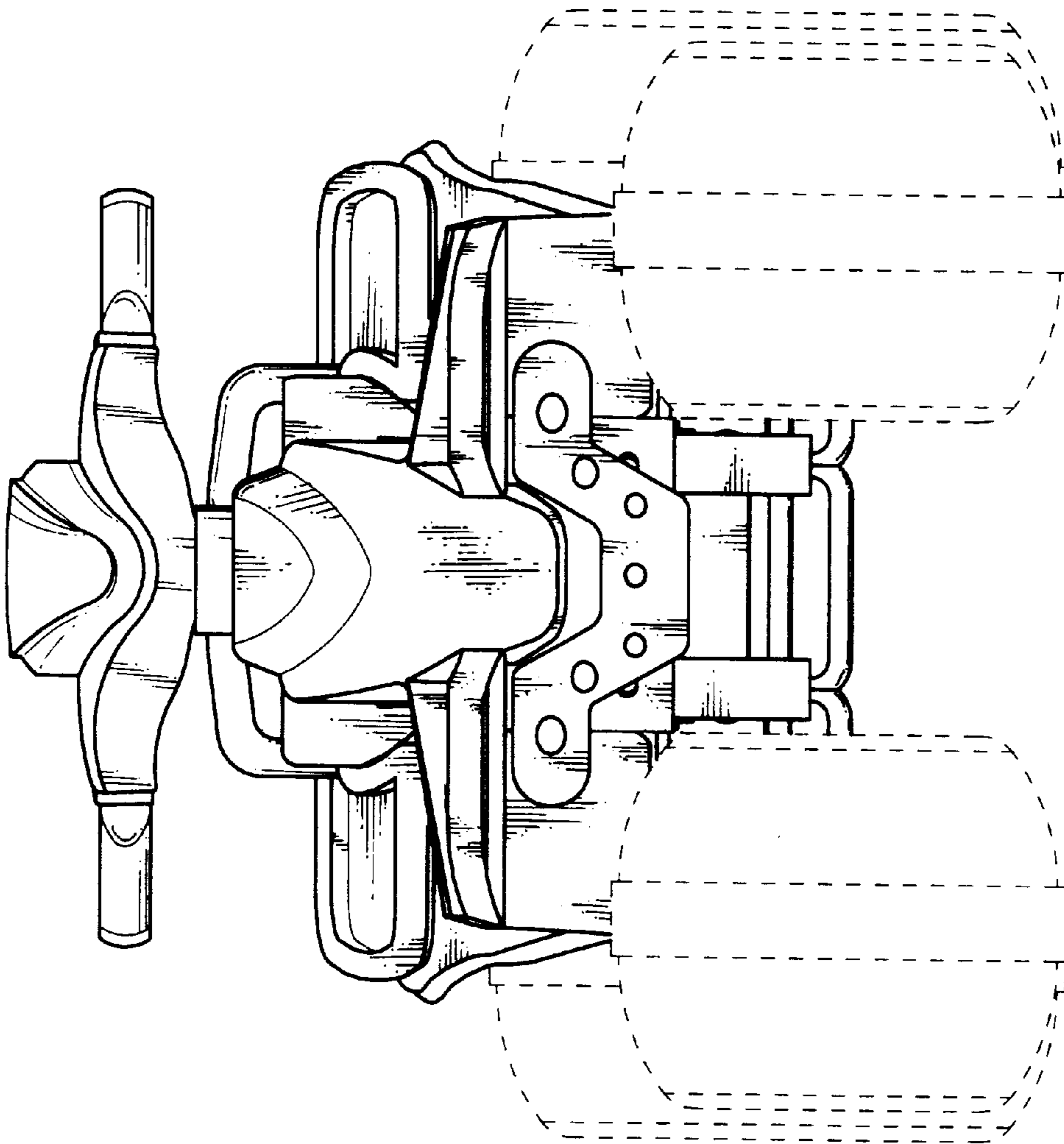


FIG. 2

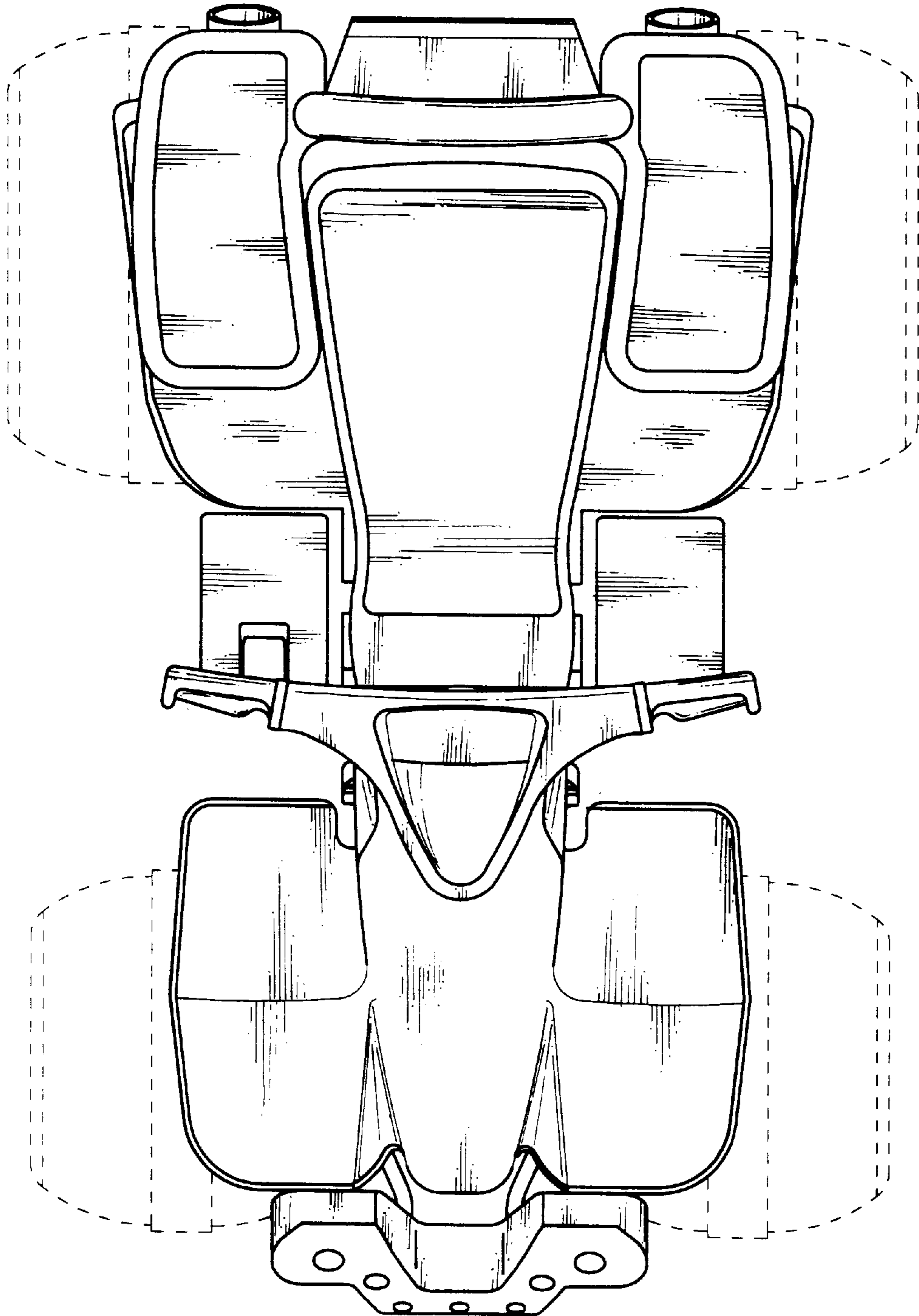


FIG. 3

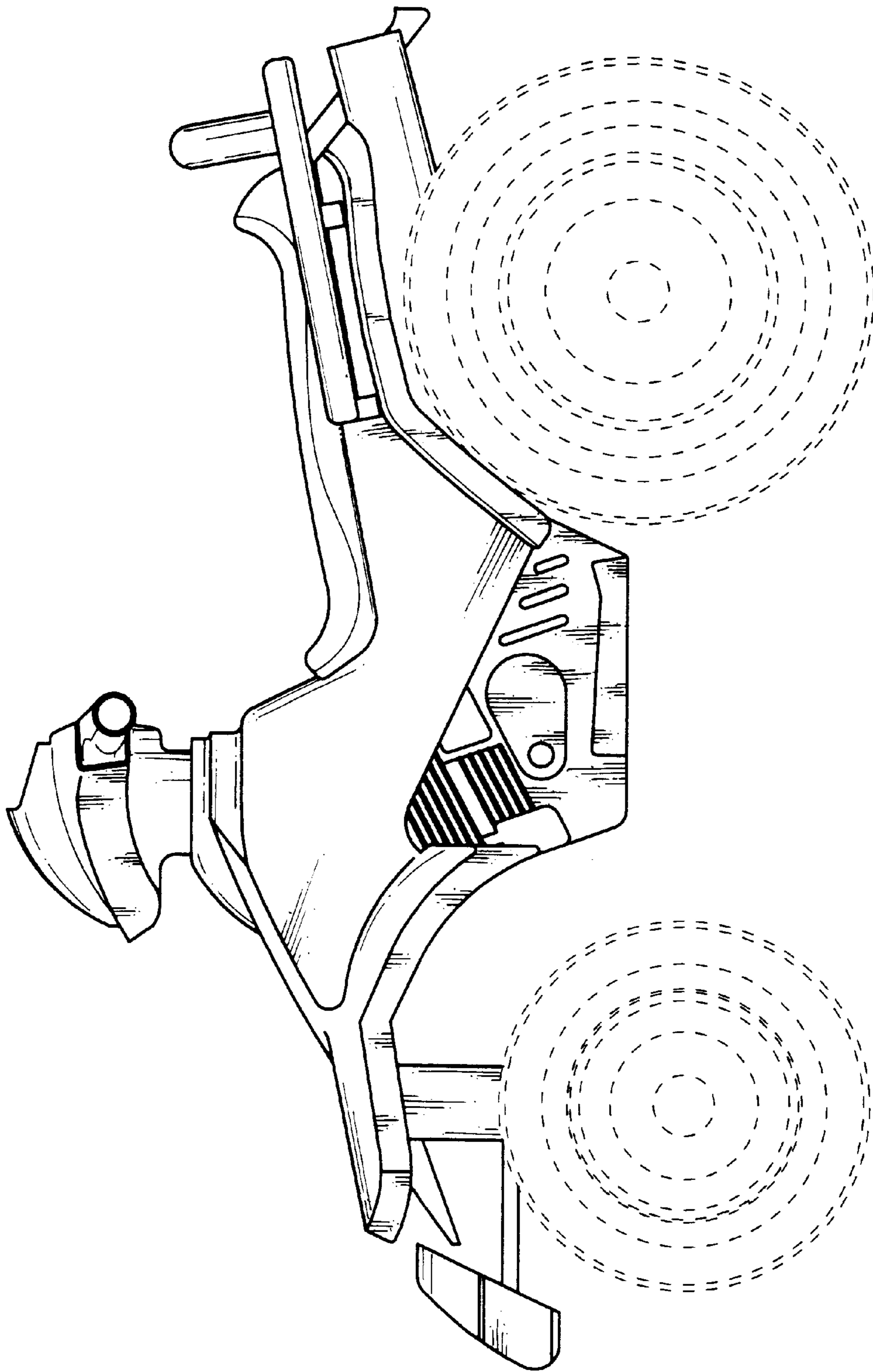


FIG. 4

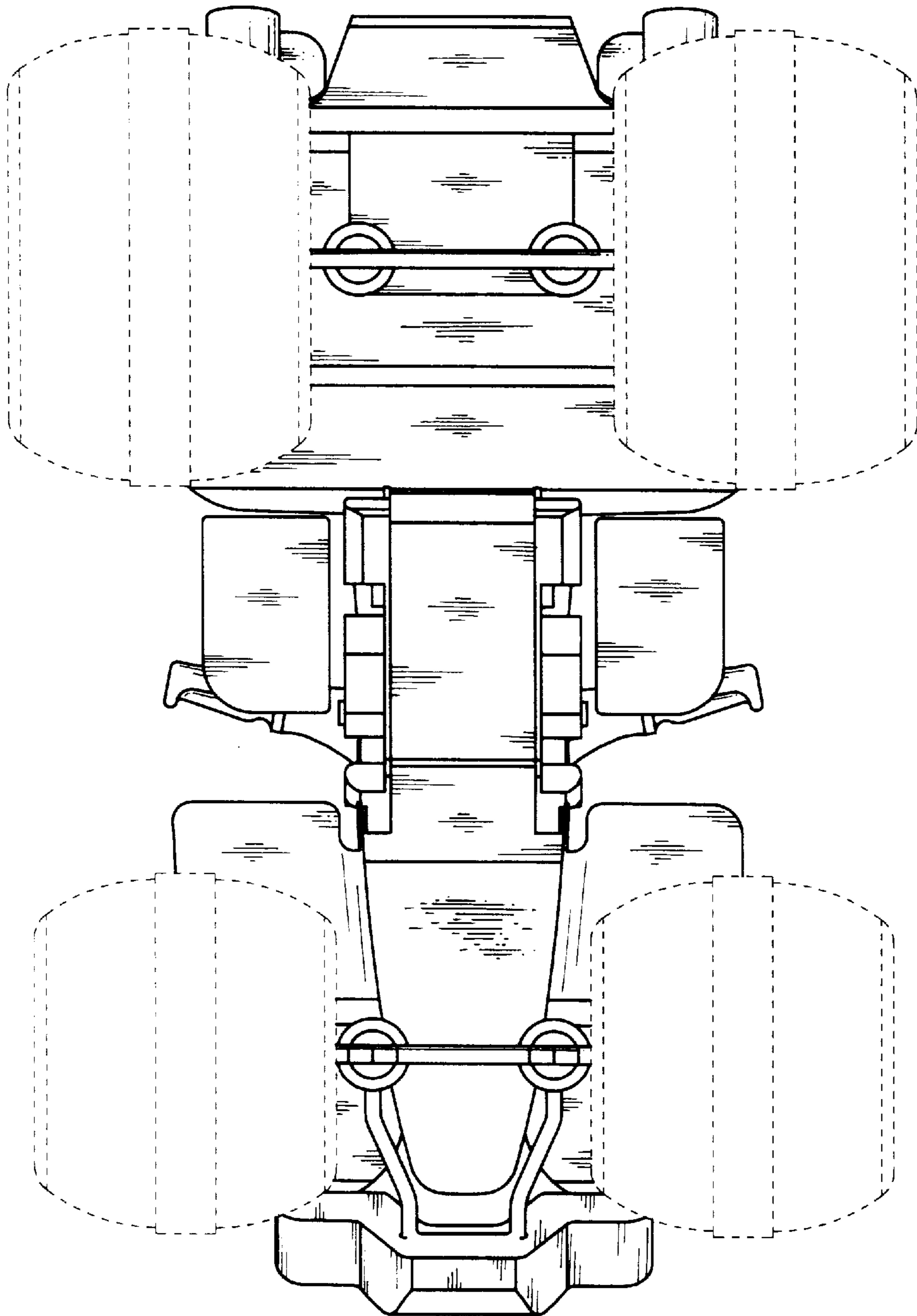


FIG. 5