



US00D423601S

United States Patent [19]

[11] Patent Number: **Des. 423,601**

Seifert et al.

[45] Date of Patent: **** Apr. 25, 2000**

[54] **GAME APPARATUS**

[75] Inventors: **Daniel H. Seifert**, Walnut Creek, Calif.;
Karl R. Meyer, Salem, Mass.

[73] Assignee: **Hasbro, Inc.**, Pawtucket, R.I.

[**] Term: **14 Years**

[21] Appl. No.: **29/094,920**

[22] Filed: **Oct. 13, 1998**

[51] **LOC (6) Cl.** **21-01**

[52] **U.S. Cl.** **D21/360; D21/356**

[58] **Field of Search** **D21/310, 334-369;**
273/236-285

3,823,941	7/1974	Ochi et al.	273/86 B
4,432,544	2/1984	Wakimura	273/1 M
4,566,694	1/1986	Ehrat	273/16 B
4,696,477	9/1987	Tsuzuki	273/241
4,790,532	12/1988	Chen	273/168
4,936,574	6/1990	Lee	273/166
4,957,287	9/1990	Kobayashi	273/1.099
5,314,365	5/1994	Chen	446/133
5,346,221	9/1994	Gray	273/243
5,682,692	11/1997	Huang	40/414

Primary Examiner—Sandra L. Morris

[57] CLAIM

The ornamental design for a game apparatus, as shown.

DESCRIPTION

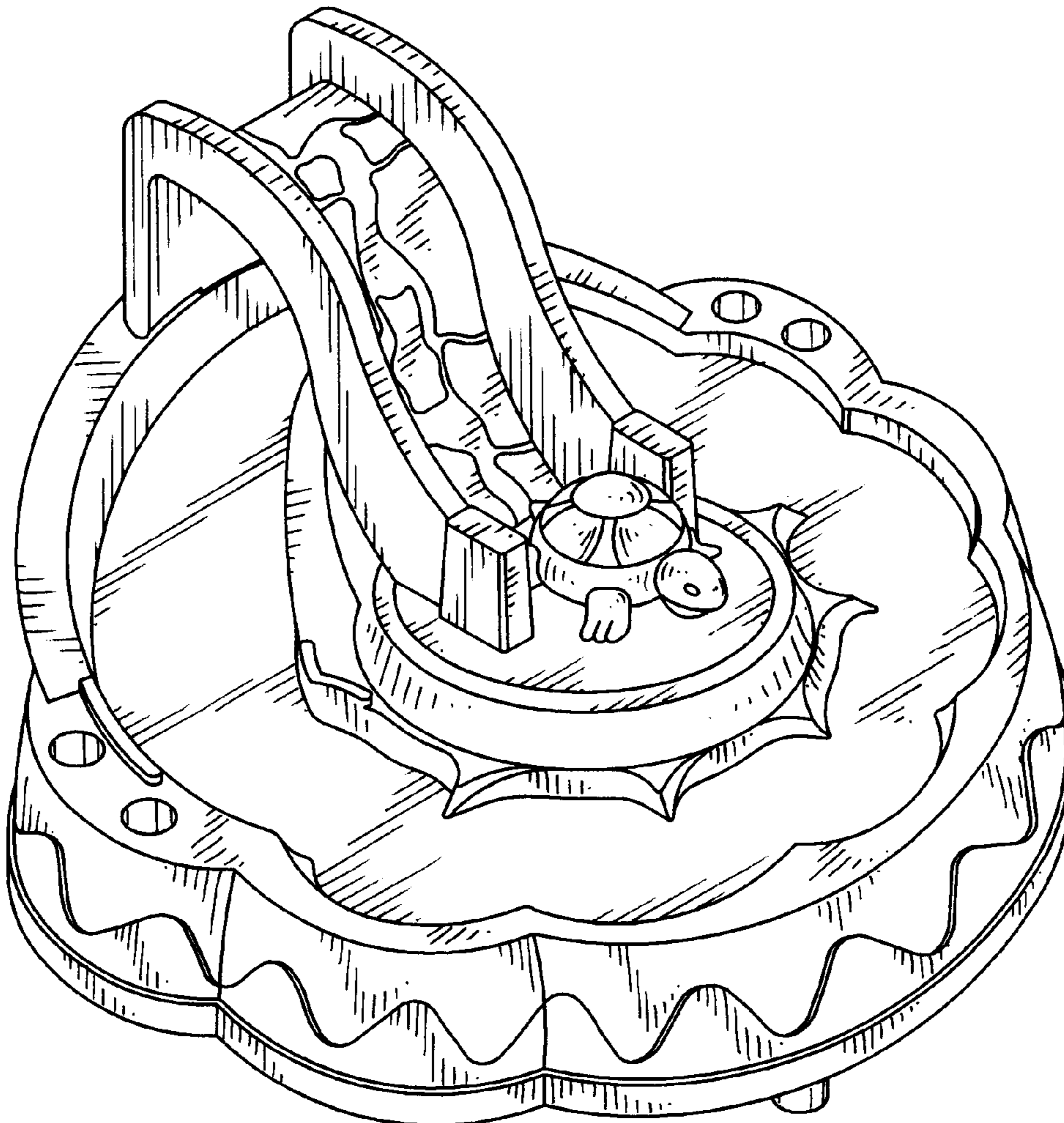
FIG. 1 is a perspective view of the game apparatus of the instant invention;
 FIG. 2 is a top plan view thereof;
 FIG. 3 is a bottom plan view thereof;
 FIG. 4 is a left side elevational view thereof;
 FIG. 5 is a right side elevational view thereof;
 FIG. 6 is a front elevational view thereof; and,
 FIG. 7 is a rear elevational view thereof.

1 Claim, 4 Drawing Sheets

[56] References Cited

U.S. PATENT DOCUMENTS

D. 270,258	8/1983	Iwaya et al.	D21/336
D. 297,951	10/1988	Mayuzumi	D21/336
D. 305,039	12/1989	Fudro	D21/336
D. 390,279	2/1998	Foster et al.	D21/360
1,963,376	6/1934	Papas .	
3,627,316	12/1971	Machinski	273/1



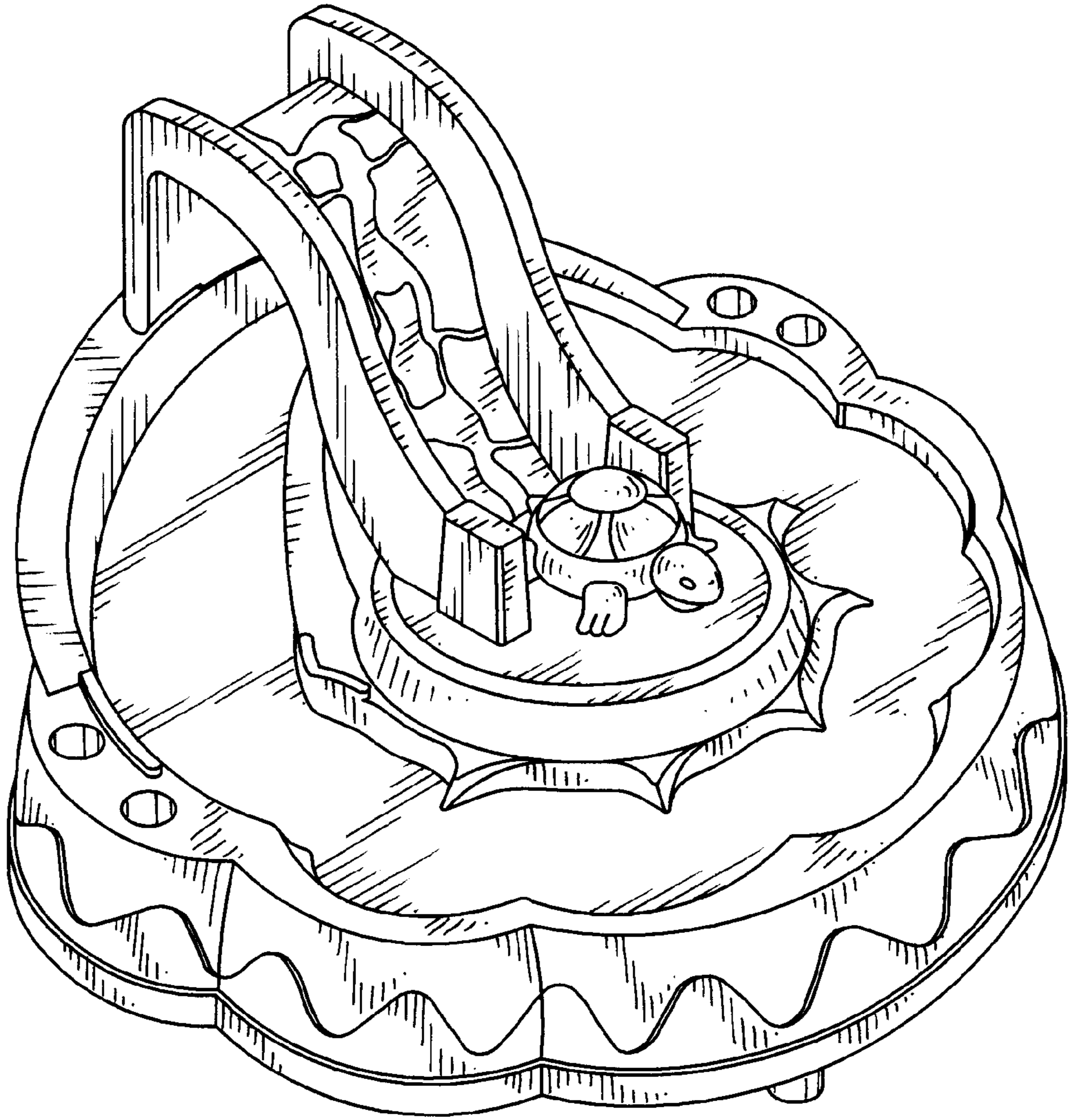


FIG. 1

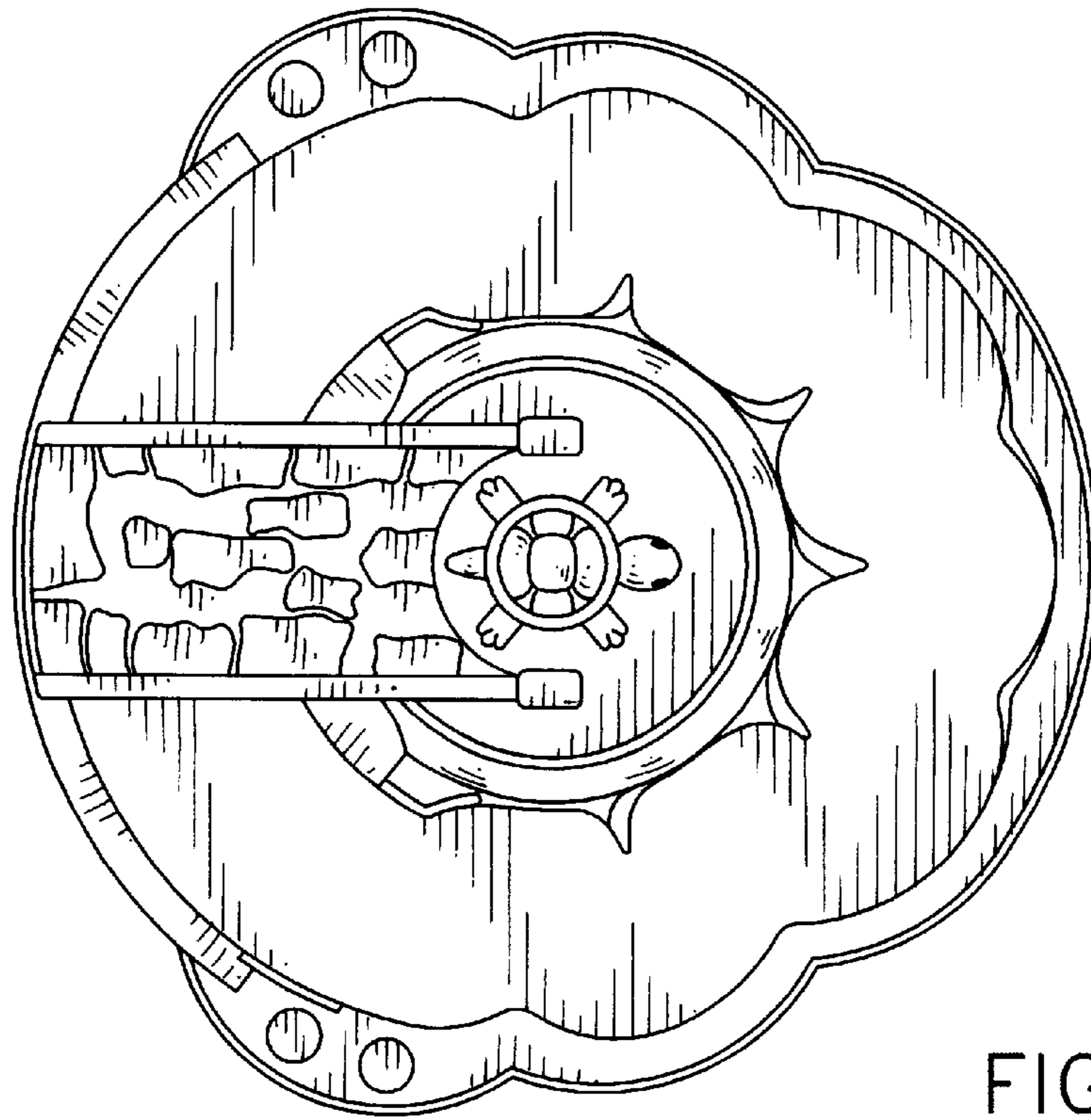


FIG. 2

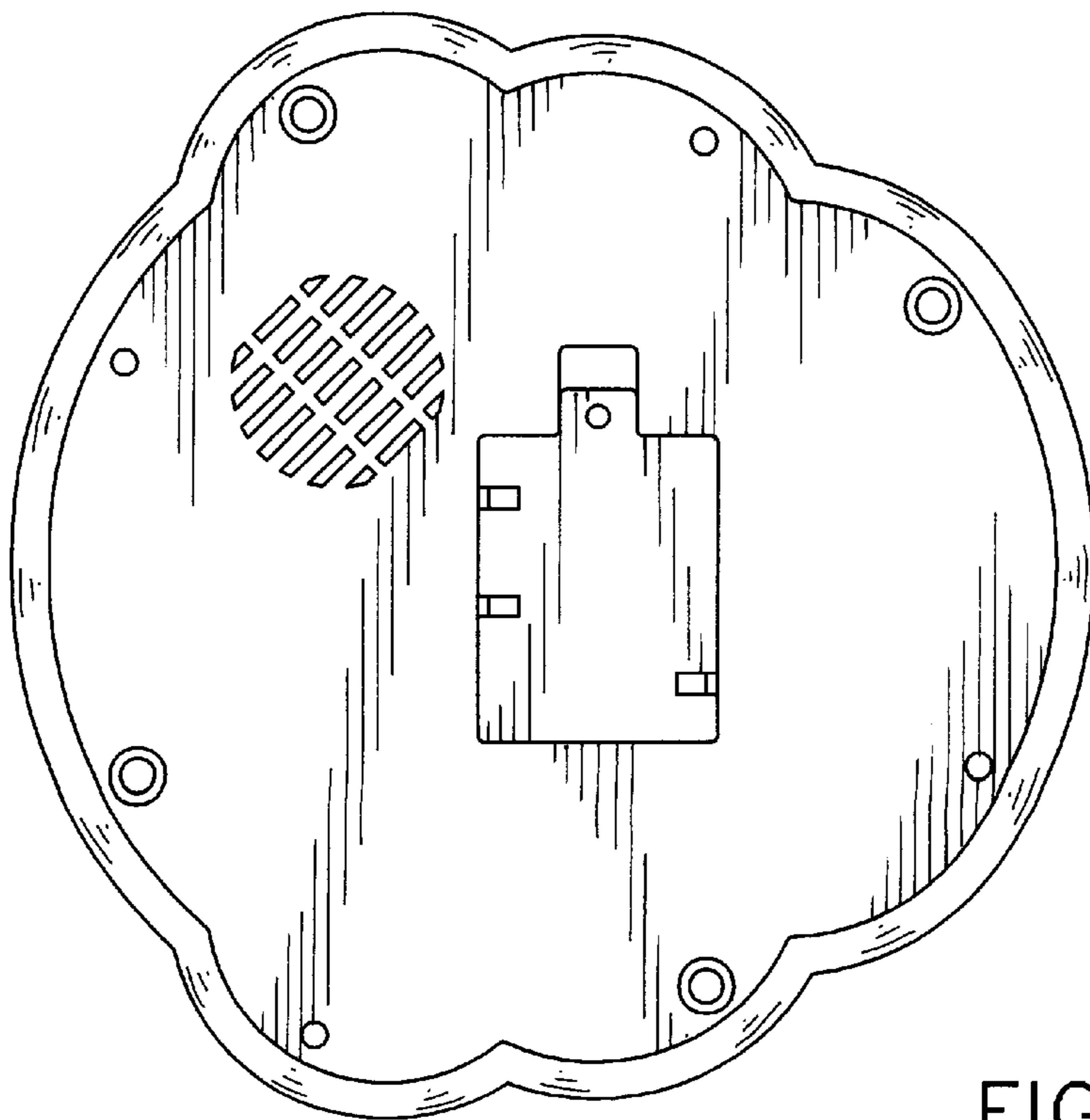


FIG. 3

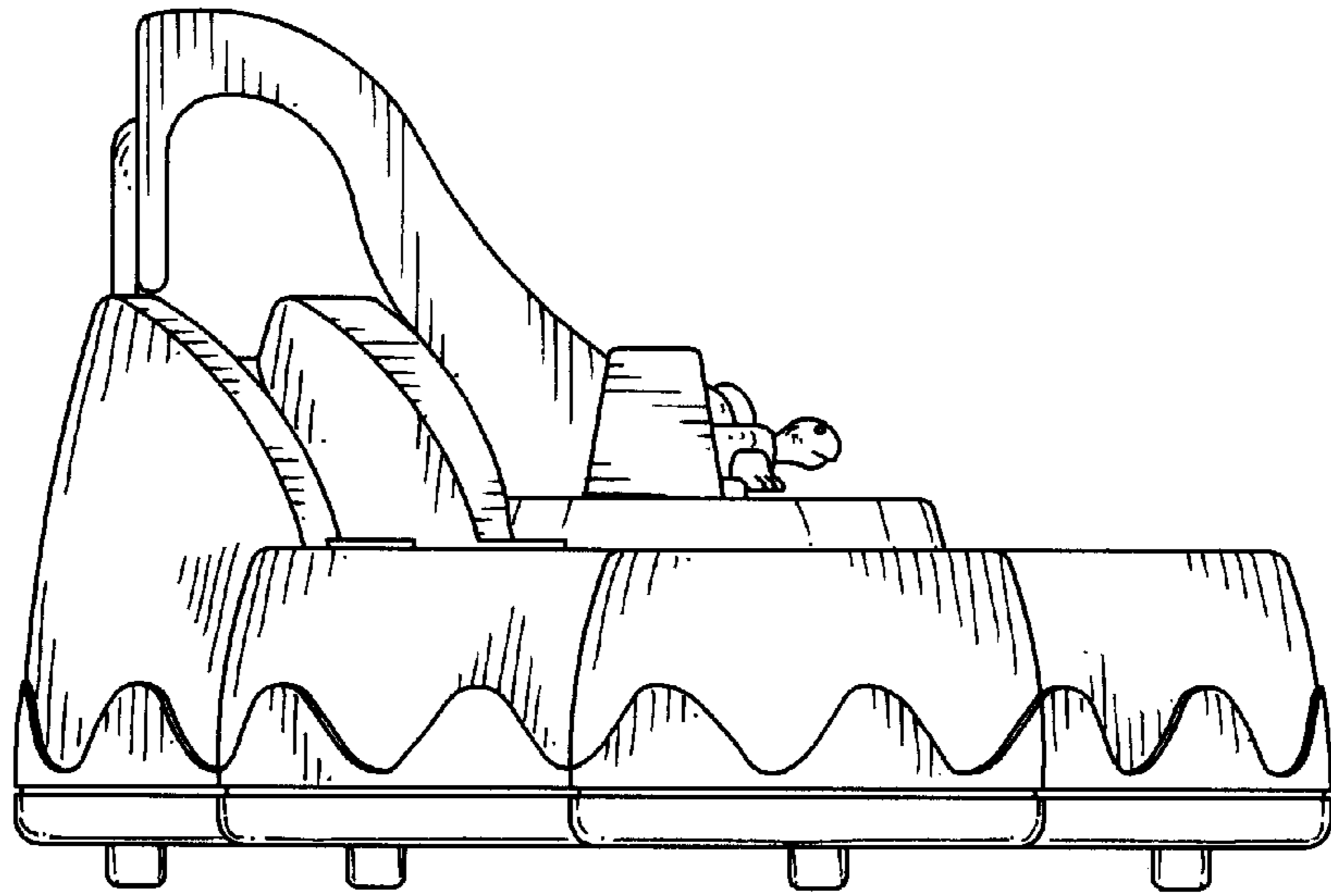


FIG. 4

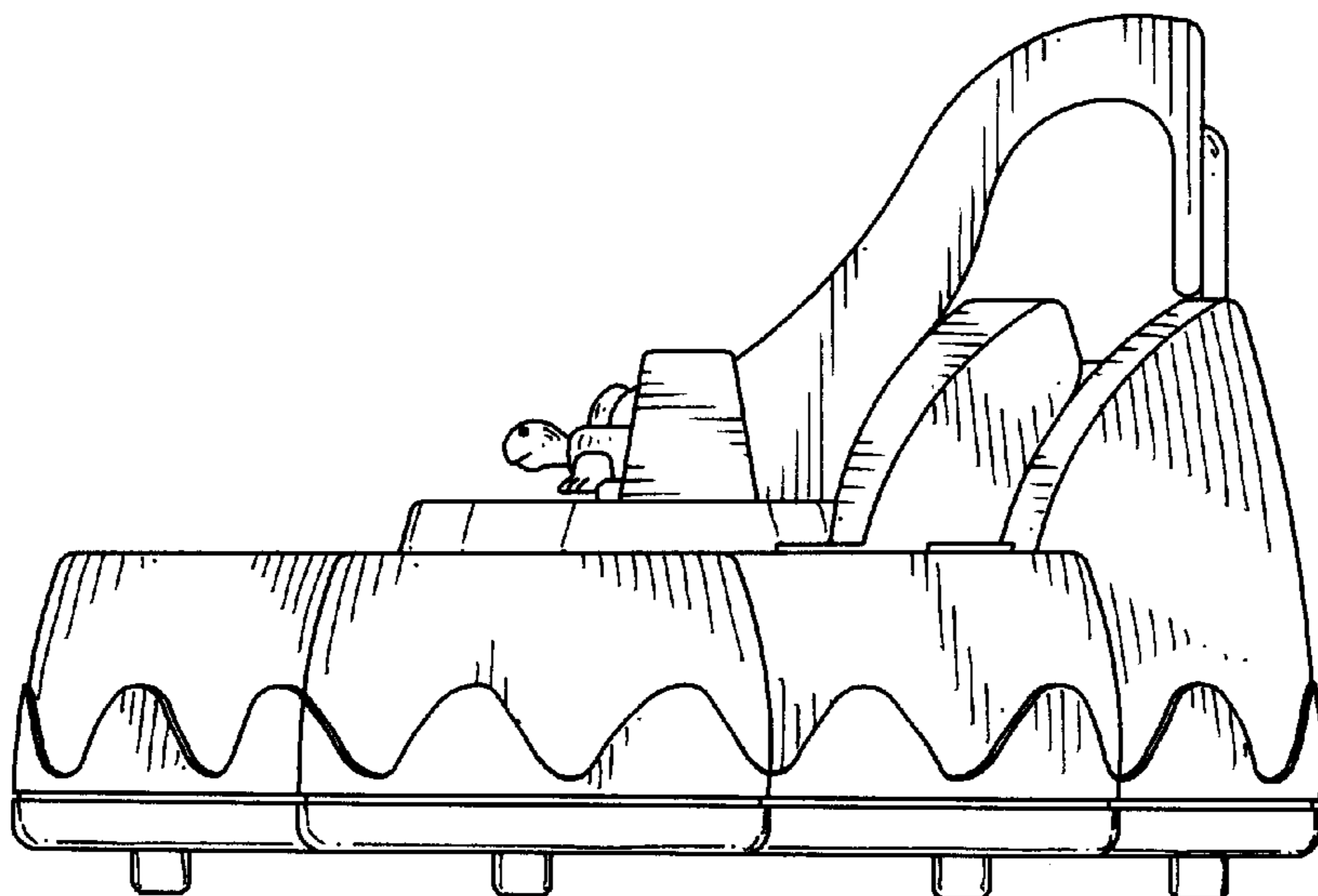


FIG. 5

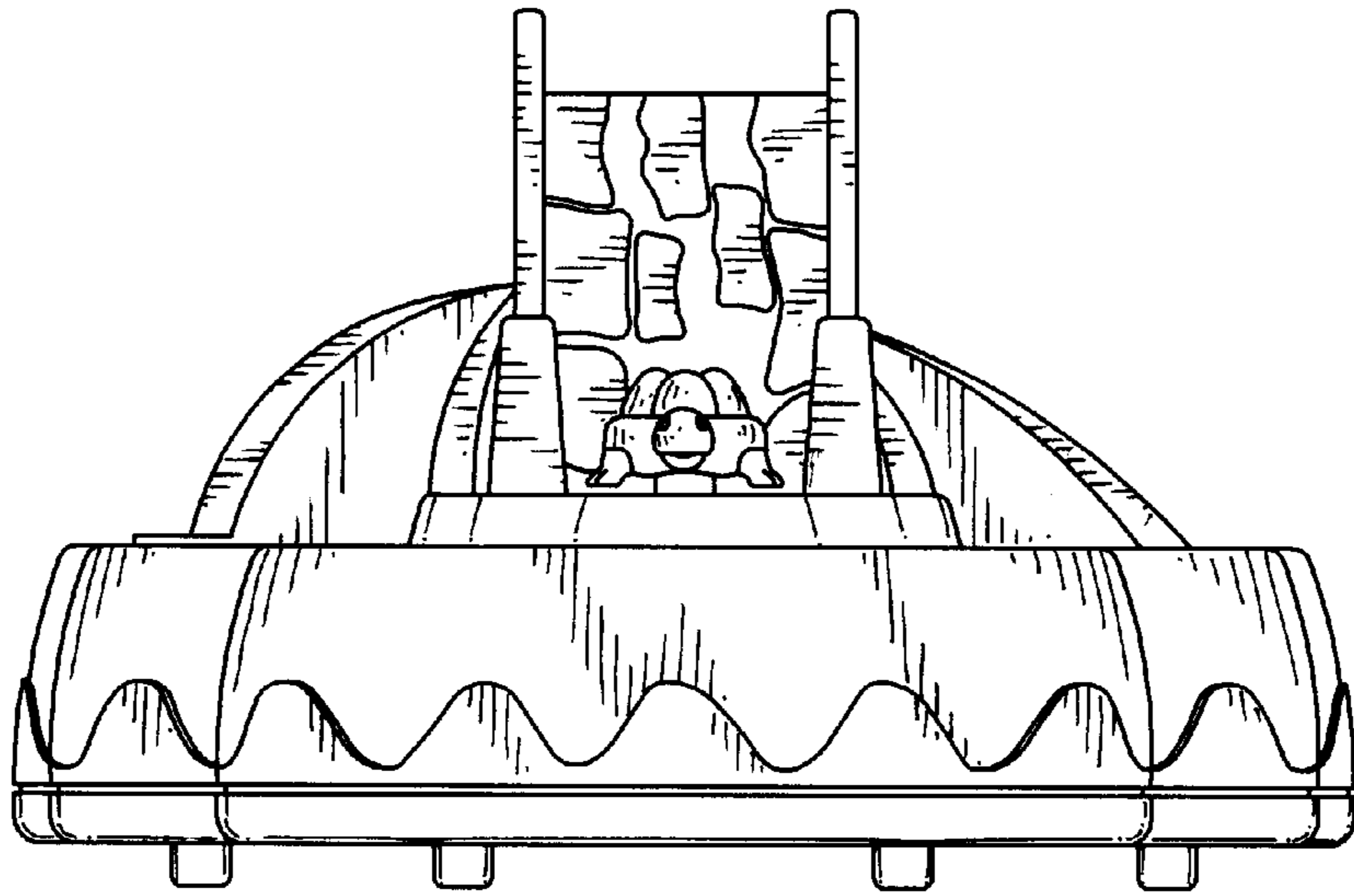


FIG. 6

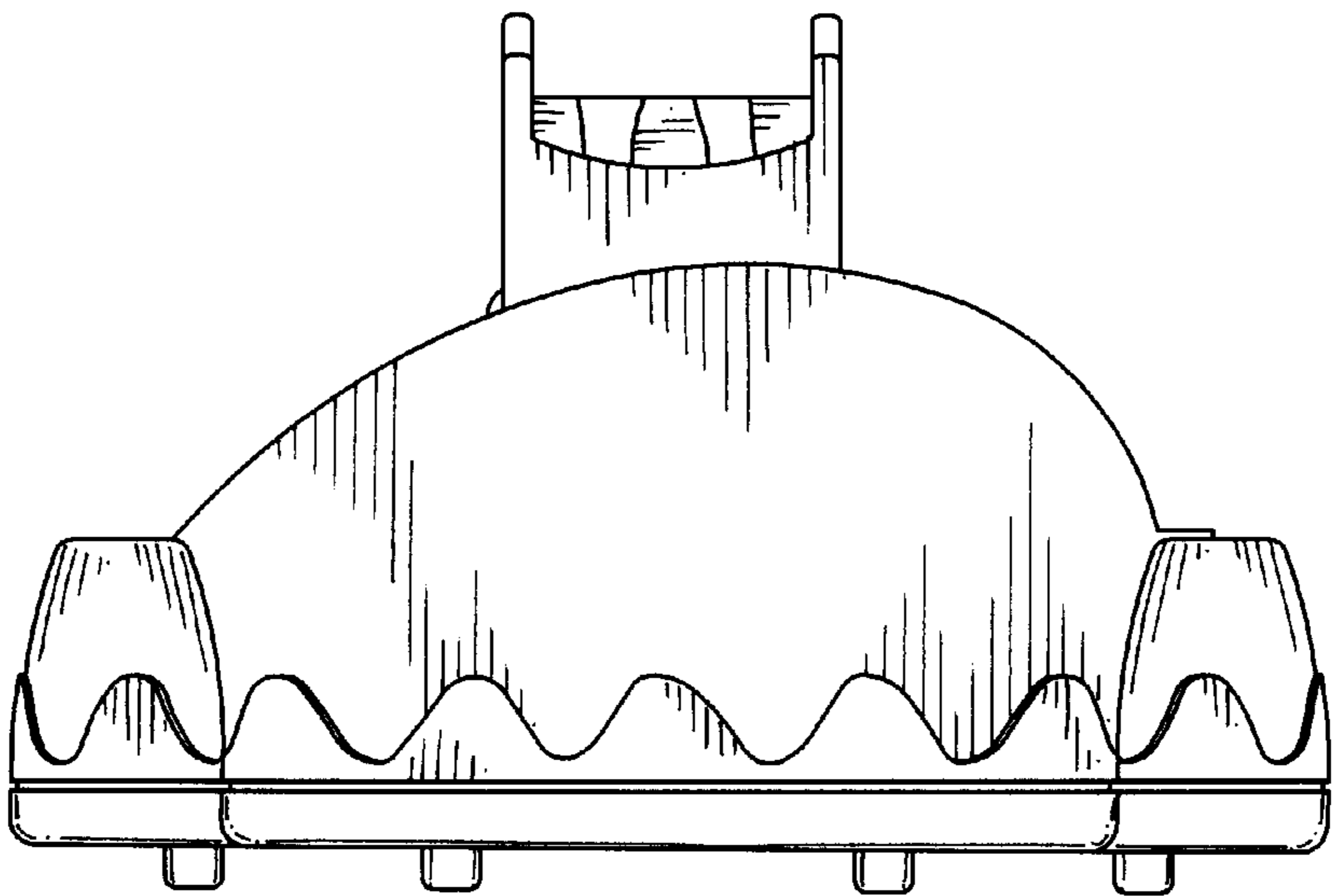


FIG. 7